

ENGINEERING  
YOUR SPRAY SOLUTION

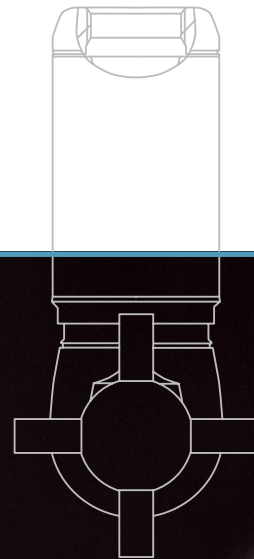


NEW

# ➤➤ HIGH IMPACT CLEANER MESHCLEAN

Series 5T2/5T3

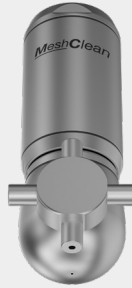
GENERAL INDUSTRY



# High impact cleaner MeshClean Series 5T2/5T3

## Features:

- High degree of effectiveness due to particularly powerful solid stream nozzles
- Suitable for smaller tanks with stubborn dirt
- Active self-cleaning due to special nozzle geometry
- Especially low maintenance



**Function video**  
[www.lechler.com/de-en/medialibrary/videos-general-industry](http://www.lechler.com/de-en/medialibrary/videos-general-industry)  
 Or scan the QR code.



**ATEX version  
on request**

Series 5T2/5T3

## Technical data:



**Max. operating temperature**  
150 °C



**Max. ambient temperature**  
150 °C



**Installation**  
Operation in every direction is possible



**Bearing**  
Ball bearing



**Material**  
Stainless steel (316L), PTFE, PEEK, EPDM



**Weight**  
1.0 kg



**Surface quality**  
Ra ≤ 0.8 µm



**Surface quality**  
Ra ≤ 1.6 µm



**Steam suitability**  
Suitable



**Insertion diameter**  
68-82 mm



**Filtration**  
Line strainer with a mesh size of 0.2 mm/80 Mesh



**Recommended operating pressure**  
5 bar



**Adapter**  
3/4 BSPP compatible with HygienicFit



**Rotation monitoring**  
Sensor compatible

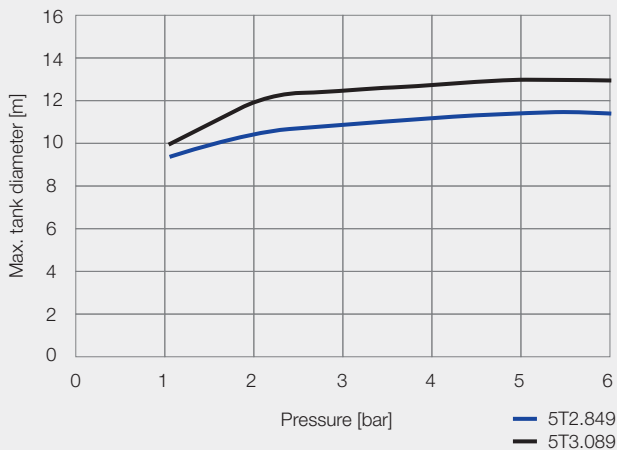


**Maintainable**



### Max. tank diameter

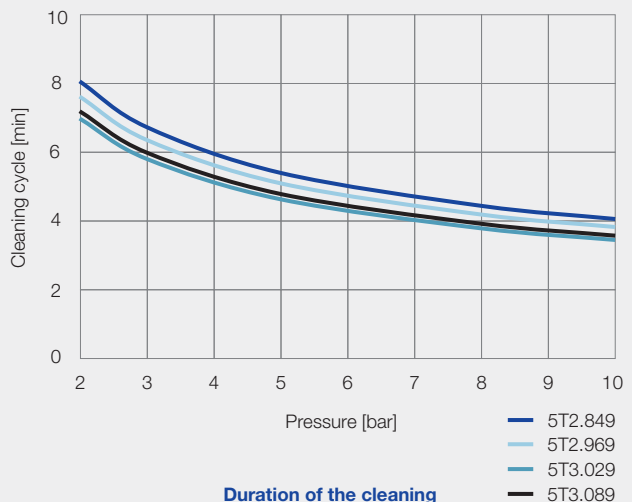
The max. tank diameter shown above applies for the recommended operating pressure and has to be seen as a recommendation. The cleaning result is also affected by the type of soiling.



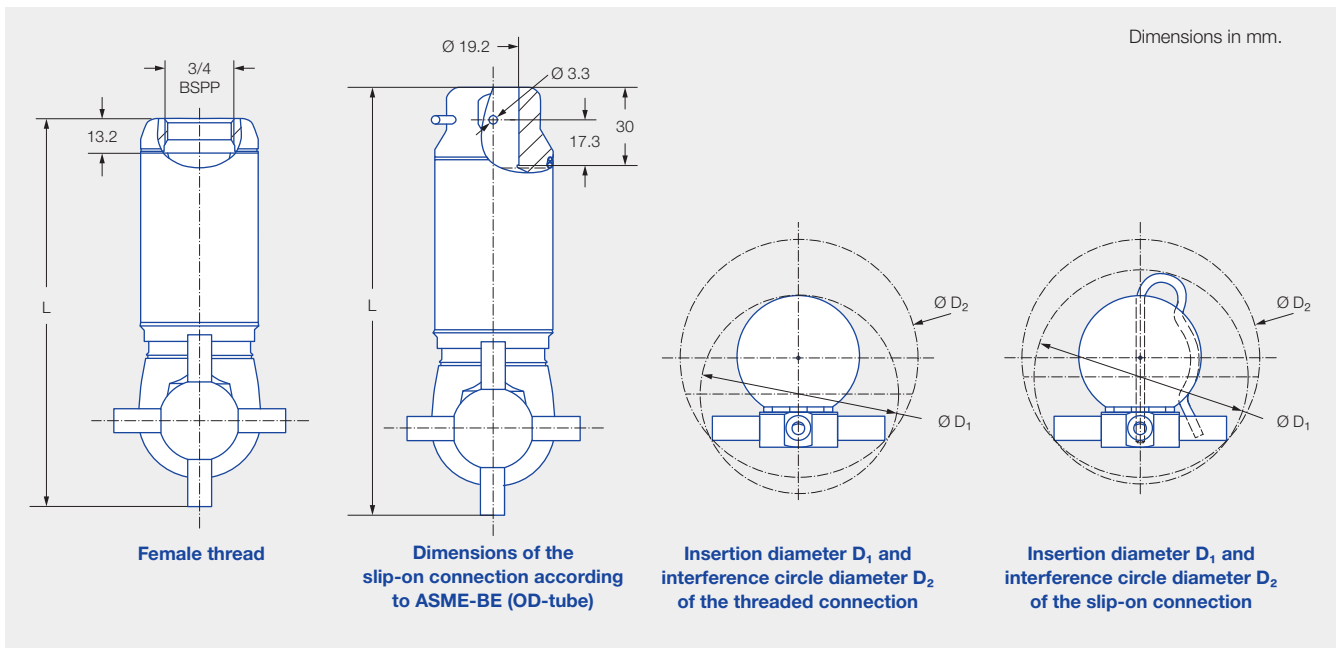
**Overview of the maximum tank diameter in relation to the pressure**




### Duration of cleaning cycle



**Duration of the cleaning cycle in relation to the pressure**



Spray angle	Ordering no.			$\dot{V}$ water [l/min]			Dimensions [mm]						Max. tank diameter [m]
	Type	Code		$p$ [bar] ( $p_{max} = 15$ bar)			Female thread			Slip-on connection			
		3/4 BSPP	3/4"-Slip-on connection	2.0	5.0	at 5 bar [m <sup>3</sup> /h]	L	$\varnothing D_1$	$\varnothing D_2$	L	$\varnothing D_1$	$\varnothing D_2$	
				13	20	1.2	142	68	82	157	77	82	
360° 	<b>5T2.849.1Y</b>	<b>AL</b>	<b>TF07</b>	13	<b>20</b>	1.2	142	68	82	157	77	82	11.5
	<b>5T2.969.1Y</b>	<b>AL</b>	<b>TF07</b>	25	<b>40</b>	2.4	142	68	82	157	77	82	12.0
	<b>5T3.029.1Y</b>	<b>AL</b>	<b>TF07</b>	35	<b>55</b>	3.3	142	68	82	157	77	82	12.5
	<b>5T3.089.1Y</b>	<b>AL</b>	<b>TF07</b>	50	<b>79</b>	4.7	148	74	91	163	82	91	13.0

**New standard in terms of**  
 hygienic design, process  
 reliability and service life

**MeshClean**

**ENGINEERING  
YOUR SPRAY SOLUTION**



**Lechler GmbH · Precision Nozzles · Nozzle Systems**  
**Ulmer Strasse 128 · 72555 Metzingen, Germany · Phone +49 7123 962-0 · [info@lechler.de](mailto:info@lechler.de) · [www.lechler.com](http://www.lechler.com)**

Edition 06/23 · EN · PDF  
Subject to technical modifications or mistakes.