

CATALOGUE

ACCESS SOLUTIONS



WELCOME TO ESSENTRA

We are global manufacturers and distributors of vital component parts for hundreds of markets and thousands of products. We're proud of what we do and believe that even the smallest products have a big part to play.



14

Manufacturing
Facilities

>1
BILLION

Parts in
stock

45,000

Products
available

33

Sales and Service
Locations

24

Distribution
Centres

GLOBAL REACH WITH LOCAL SUPPORT

We bring together the best products, ideas and distribution.

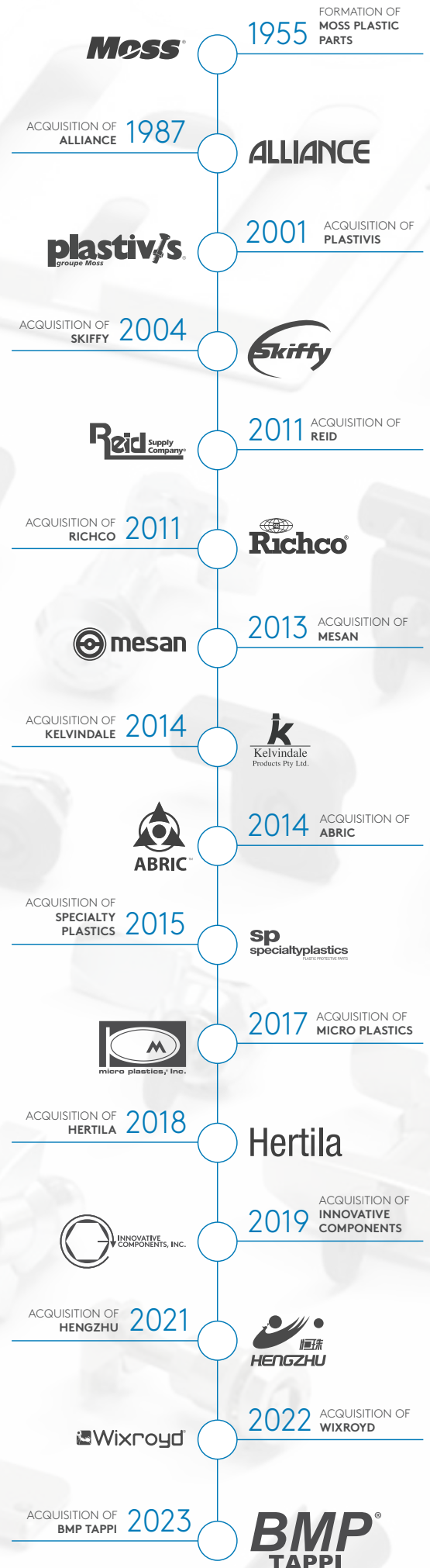


SUPPORT WITH WHATEVER YOU NEED, WHEN YOU NEED IT

2,500 experts around the world,
here to help

We combine global
manufacturing expertise with
hassle-free service to deliver
solutions specifically for your
needs.

Trust in 65+ years of experience
and excellence to meet your
most demanding needs. We
help customers meet everyday
challenges with expertise that
spans from manufacturing to
designing custom solutions, for
both traditional and emerging
industries.



ACCESS SOLUTIONS

Whatever your project demands, we can help with a comprehensive range of access hardware and custom solutions.

Our essential solutions are delivered with consistent quality, reliability and supported by outstanding customer service. With free CAD's, samples and specialist advice available, there is no better choice for your solutions provider.



INDUSTRIES

Our expertise ranges across multiple industries, supported by outstanding customer service. We can reduce your lead times, and provide custom solutions and specialist advice to help you achieve your business goals.



Indoor & Outdoor Cabinets



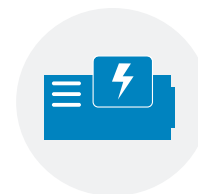
IT Cabinets



Transformers



Industrial Machinery



Power Generators



HVAC



Commercial Vehicles



Rail Transportation



Road Transportation



Food Industry



Diversified Applications



Medical Devices

LOCKS/LATCHES



Our locks give you what you need for every application. Materials range from durable polyamide and steel cams to corrosion-resistant stainless steel. With locks for both indoor and outdoor applications, high or low security needs, our products combine both form and function.

HINGES



You're spoiled for choice with our range of high quality hinges. Be it plain or flush mounted doors or cabinets, concealed hinges or side hinges. Made from high security and corrosion resistant materials, there is a hinge for all your needs.

GASKETS



Prevent liquid or gas leaks with our high-performance gasketing & sealing solutions. Easy to apply and available in a range of materials, including PVC, EDPM, rubber blends, and a blend of neoprene, nitrile and PVC.

ACCESSORIES & HANDLES



An extensive range of accessories are designed and manufactured for a variety of industries and applications using rubber, plastic and aluminum. Manufactured with ergonomics and aesthetics in mind, our handles utilise reinforced plastics and aluminum to assure an easy fitting.

ELECTRONIC



ELS, our integrated access control system incorporates electromechanical locks, access control units and a monitoring system complete with system sensors. The sensors can detect use, allow management of temperature and maintain cabinet security. Use an RFID card, keypad or remote control to manage door access and retrieve detailed reports of cabinet status whenever you need it.

CUSTOM SOLUTIONS

Sometimes you may not find the perfect solution amongst our portfolio of standard products. You may require a small variation, an alternative colour, material or size.

Talk to our in-house team of design engineers and work directly with our R&D and manufacturing centres to create a bespoke solution to meet your needs.

We utilise 3D printing technology to showcase our designs which ensures your specifications are met and assists in expediting lead times from quotation to delivery.

Capabilities

- Design bespoke products
- Range of colour choices
- Customer logo requirement

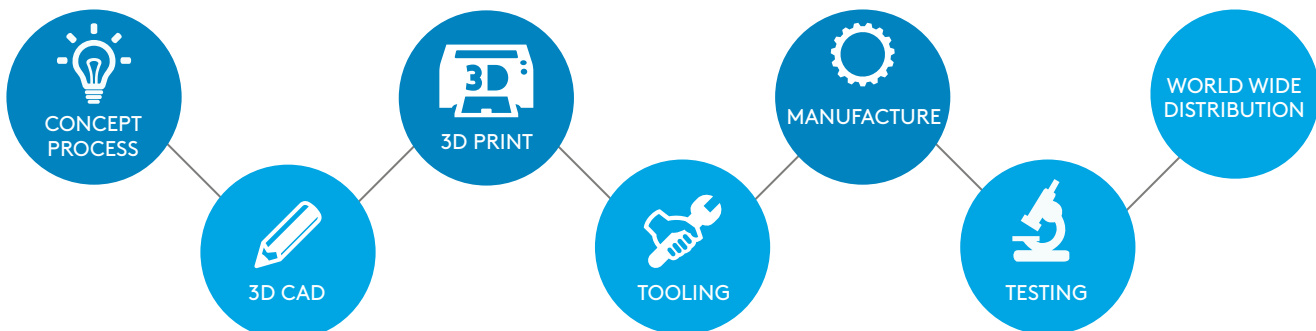


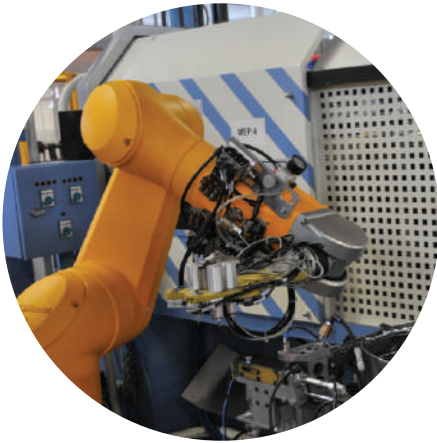
R&D

Facilitated by our state of the art R&D facilities we are enabled constantly pursuing innovation to offer new and alternative solutions to you and your customers everyday problems.

Technical capabilities

- Proven in-house engineering design team
- All items available in 3D CAD
- Advantage of 3D printing
- Cross-sector experient





PRODUCTION

Our philosophy in production centres on delivering value to our customers by producing high quality components, on time and at low cost. With the introduction of CNC controlled machines and robot technologies, a significant increase in capacity and quality has been achieved.

Manufacturing technology

- Zinc Die Casting
- Aluminium Die Casting
- Plastic Injection Moulding
- Stamping
- Machining
- Polyurethane Sealing Foam Technology
- Barrel, Cylinder, Keys Technology
- Tool Manufacture Technology
- Custom Machines (Sand blasting ,Laser marking etc)
- Powder Coating



QUALITY

We understand that continuous improvement in all of our processes drives customer satisfaction. We ensure our products exceed customer expectations, whilst adhering to technical and legal requirements. Our products are manufactured to comply with RoHS standards, and meet obligations concerning the Registration, Evaluation, Authorisation, and Restriction of Chemicals (REACH)

We operate a stringent quality assurance programme, ensuring procedural controls are applied to all activities that affect the quality of our products and services.

Our Quality Approved Certificates:



Quality Management Systems



Automotive Quality Management



Health and Safety Management Systems



Energy Management Systems



Environmental Management Systems



Information Security Management



A CLOSER LOOK

TRANSFORMERS

When working with transformers, it's important that all entry points are kept secure, particularly areas that contain medium voltage cells. Our solutions are high quality and secure, including our technically designed explosion resistant hinges and locks.

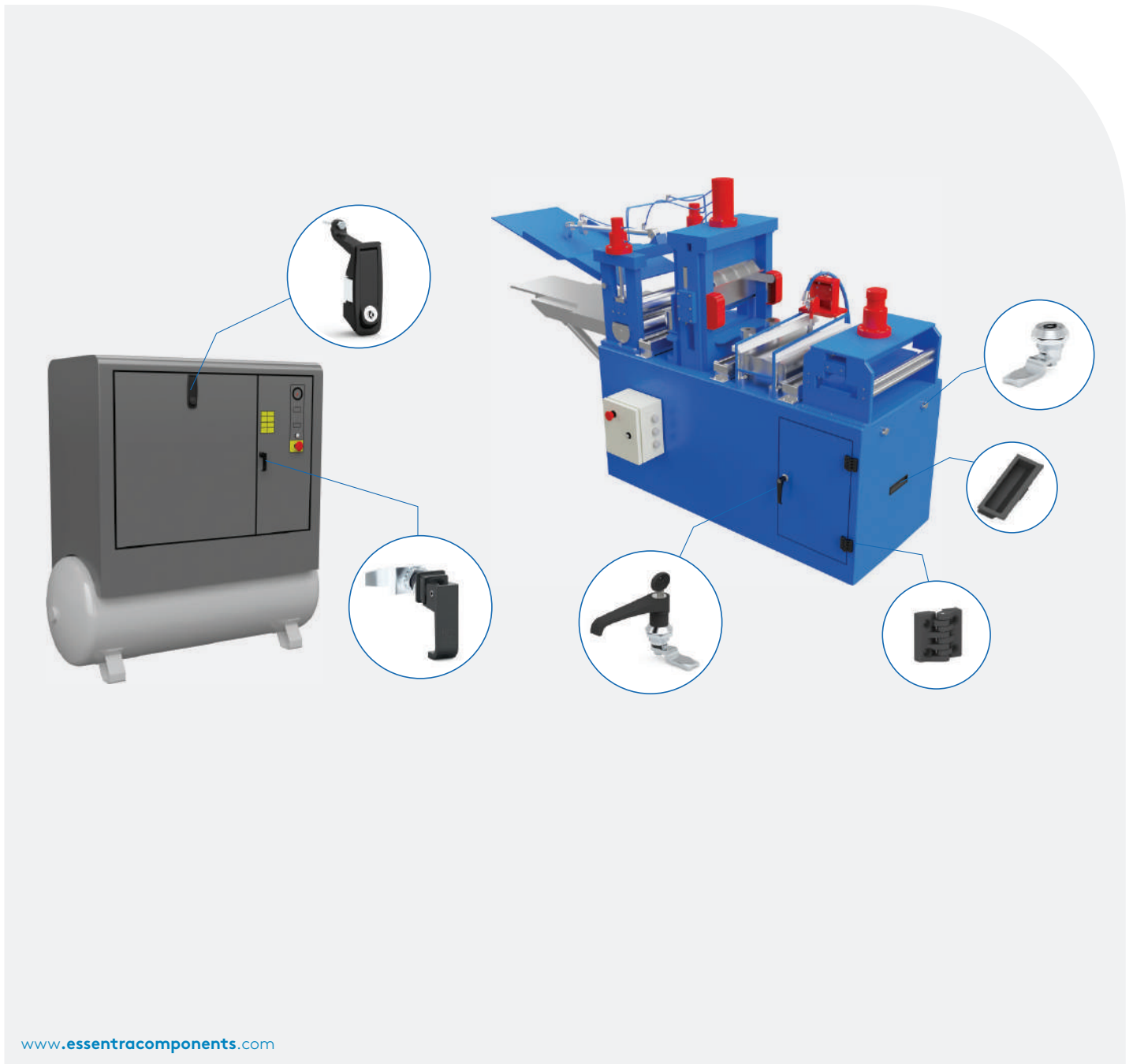
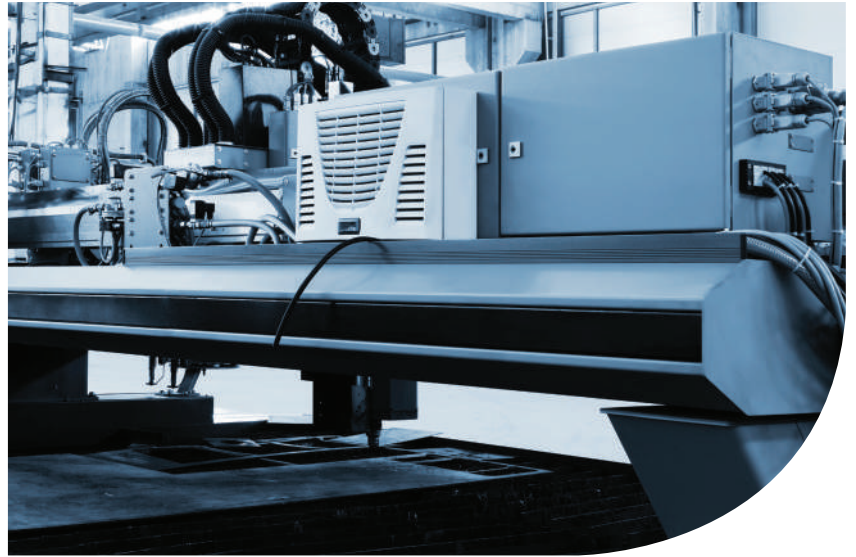




A CLOSER LOOK

INDUSTRIAL MACHINERY

Whether you're building indoor or outdoor machines, sealing, noise isolation and vibration reduction are some of your most important considerations. Mesan Locks offers a wide range of solutions designed to meet your specific requirements.





A CLOSER LOOK

DIVERSIFIED APPLICATIONS

Our expertise spans across many industries, allowing catered solutions to be produced for a number of non-standard applications.

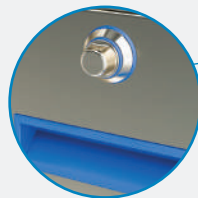
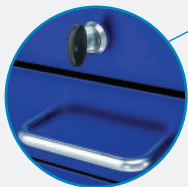
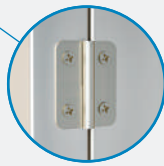




A CLOSER LOOK

MEDICAL DEVICES

We offer a wide range of access solutions for the health industry, including essential equipment and medical. With our mechanical and electronic locks, hinges, handles, accessories and fittings, we provide security, safety and comfort with hygienic standards to healthcare professionals.





A CLOSER LOOK

RAIL TRANSPORTATION

Suitable for both subway trains and high speed trains our compression latches, are certified to DIN EN 60068-2-64 [04/2011]. Many of our sealing products, trigger latches and heavy duty hinges are also UL 94 certified.





A CLOSER LOOK

COMMERCIAL VEHICLES

Construction vehicles, heavy-duty trucks and utility trucks all have one thing in common. They need robust and safe handles, locks and hinges. We provide these vehicles with pretty much any solutions you can think of for both the interior and exterior.





A CLOSER LOOK

ROAD TRANSPORTATION

We produce solutions for commercial car, caravans, minibus, and buses. Our range is specifically catered to the needs of these applications, offering paddle latches, quarter turn locks and latches, custom hinges, sealing products, and many other functional solutions.

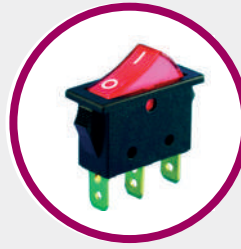


JUST A FEW OF OUR **STANDARD PRODUCTS**

FOR
ELECTRICAL



IP65 Push Buttons



Rocker Switch



Standard Grommets

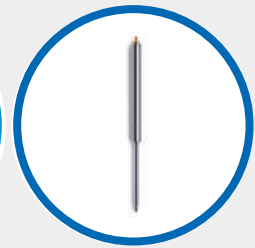
FOR
ENCLOSURES



Draw Slides



Adjustable Force Gas
Struts



Metal Gas Struts

FOR EQUIPMENT
CONTROL



Index Plunger



Cam Switches



Handles

AND
THERE IS MORE...



Masking Plugs



Tapered Caps



Masking Tapes

REQUEST OUR FULL COMPONENTS CATALOGUE!

**OVER 30,000 STANDARD PRODUCTS
FOR FAST DISPATCH**



Nylon Cable Glands



Vent Plugs



Twist Ties



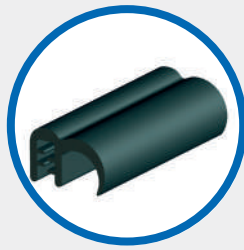
Cable Ties



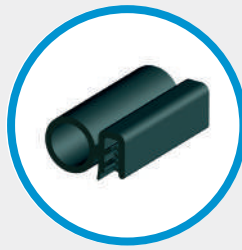
Key Operated Push Button



EMI Gasket



Flipper Gasket



Side Bubble Gasket



Heavy Duty Lid Stay



Vibration Mounts



Handwheels



Industrial Feet



Machine Feet



Cam Levers



Castors



Support Hooks



Masking Bags



Screw Rivet Fasteners



Quarter Turn & Snap Latches



Rack Panel Quarter Turn Fastener

GO ONLINE:

- REQUEST FREE SAMPLES
- 3D CAD DRAWINGS
- ORDER ONLINE



PRODUCT GROUPS



SWINGHANDLES

24 - 51



ROD-LATCH SYSTEM

52 - 87



HEAVY-DUTY LOCKS

88 - 115



MISCELLANEOUS PRODUCTS

116 - 167



CAMS, KEYS, RODS & ROD GUIDES

168 - 191



QUARTER-TURN LOCKS

192 - 245



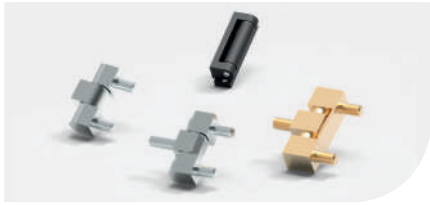
CAM LOCKS

246 - 271



FURNITURE & STEEL CUPBOARD LOCKS

272 - 285



SIDE HINGES

286 – 299



CONCEALED HINGES

300 – 333



CORNER HINGES

334 – 351



FLAT HINGES

352 – 385



GASKETS

386 – 401



HANDLES

402 – 419



ACCESSORIES

420 – 441



STAINLESS STEEL PRODUCTS

442 – 517



ELECTRONIC LOCKING SYSTEM

518 – 547

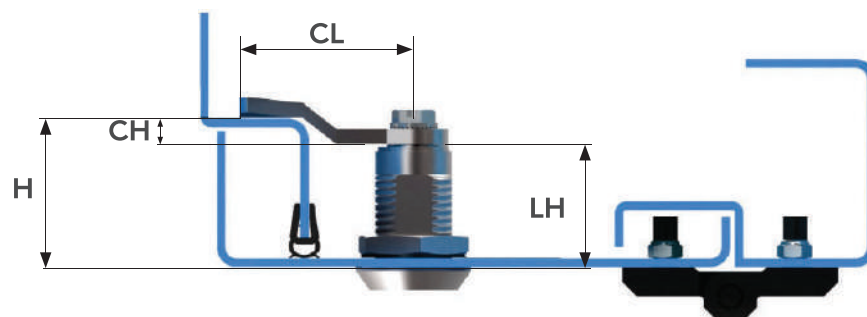
INFORMATION

PRODUCT CODE DESCRIPTIONS

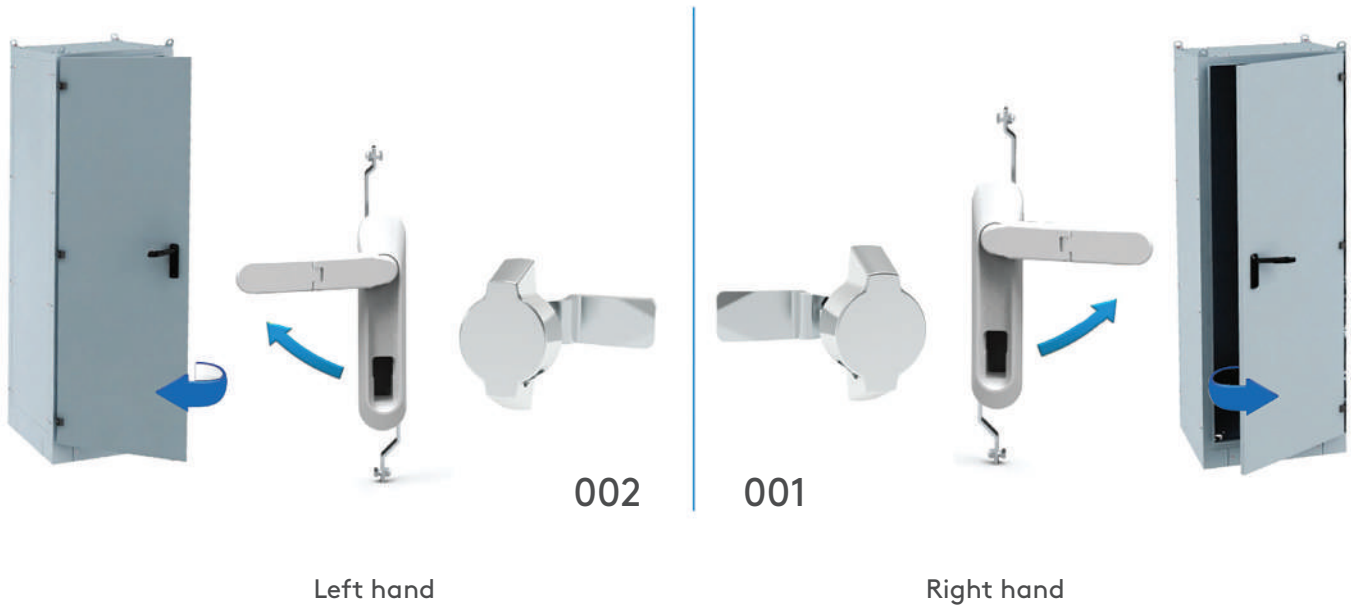
DESCRIPTIONS	MATERIALS AND FINISH OPTIONS																	
 GROUP CODE	<p>M MATERIAL</p> <p>1 Zamak 2 Plastic 3 Brass 4 Stainless steel 5 Aluminium 6 Steel</p> <p>F FINISH</p> <p>0 No finish 1 Chrome 2 Black coated 3 Zinc plated 7 Matt anodized</p>																	
M MATERIAL																		
F FINISH																		
DD CYLINDER - DRIVER																		
CC CAM																		
V VERSION																		
DT DOOR THICKNESS																		
L LENGTH																		
H HEIGHT																		
LH HOUSING LENGTH																		
P PIN																		
001 RIGHT HAND																		
002 LEFT HAND																		
1 OPTIONAL / IP 65																		
1 OPTIONAL / PADLOCK HASP																		
2 OPTIONAL / DUST CAP																		
12 OPTIONAL / PADLOCK HASP + DUST CAP																		
EXAMPLE PRODUCT CODE																		
<table border="1" style="margin: auto;"> <thead> <tr> <th>Group Code</th> <th>Housing</th> <th>Knob</th> <th>Cam</th> </tr> </thead> <tbody> <tr> <td style="background-color: #0070c0; color: white;">062</td> <td style="background-color: #f4b400;">M</td> <td style="background-color: #f4b400;">F</td> <td style="background-color: #0070c0; color: white;">CC</td> </tr> <tr> <td style="text-align: center;">↓</td> <td style="text-align: center;">↓</td> <td style="text-align: center;">↓</td> <td style="text-align: center;">↓</td> </tr> <tr> <td style="background-color: #0070c0; color: white;">062</td> <td style="background-color: #f4b400;">1</td> <td style="background-color: #f4b400;">1</td> <td style="background-color: #0070c0; color: white;">42</td> </tr> </tbody> </table>		Group Code	Housing	Knob	Cam	062	M	F	CC	↓	↓	↓	↓	062	1	1	42	
Group Code		Housing	Knob	Cam														
062	M	F	CC															
↓	↓	↓	↓															
062	1	1	42															
<p>062 Quarter turn – wing knob 1 Zamak material (Housing) 1 Chrome plated (Housing) 2 Plastic material (Knob) 0 No Finish (Knob) 42 Cam: 7x49 mm</p>																		

TECHNICAL DRAWING DESCRIPTIONS






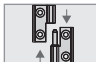


















- H:** Grip
- LH:** Housing length
- CL:** Cam length
- CH:** Cam height



DOOR-LOCKING DIRECTIONS



SYMBOLS

 RoHS Compliant	 Foam gasketing	 Position control
 Anti Bacterial	 Clip-in assembling	 Lift-off hinge
 IP 65 sealing level	 Padlock version	 Side hinge
 IP 66 sealing level	 Profile cylinder	 Concealed hinge
 IP 54 sealing level	 Outside the gasketing	 Corner hinge
 Suitable for left or right hand	 Inside the gasketing	 Flat hinge
 Left hand only	 Compression specification of lock	 Three dimensions
 Right hand only	 Earthing	 Two dimensions

EXPLANATIONS

- * All dimensions are in millimetres (mm)
- * We comply with RoHS
- * Finishes comply with TS EN 12540
- * We reserve the right to make changes to product specifications without prior notice
- * Our polyamide products and EPDM gasket products can be produced as flame resistant to comply with the UL94 standard
- * All images, text and designs contained within this catalogue remain the copyright of Essentra Components



26



27



28



29



30



31



32-33



34



35



36-37



38



39



40



41



42



43



44-45



46-47



48



49-50



SWINGHANDLES

24-51

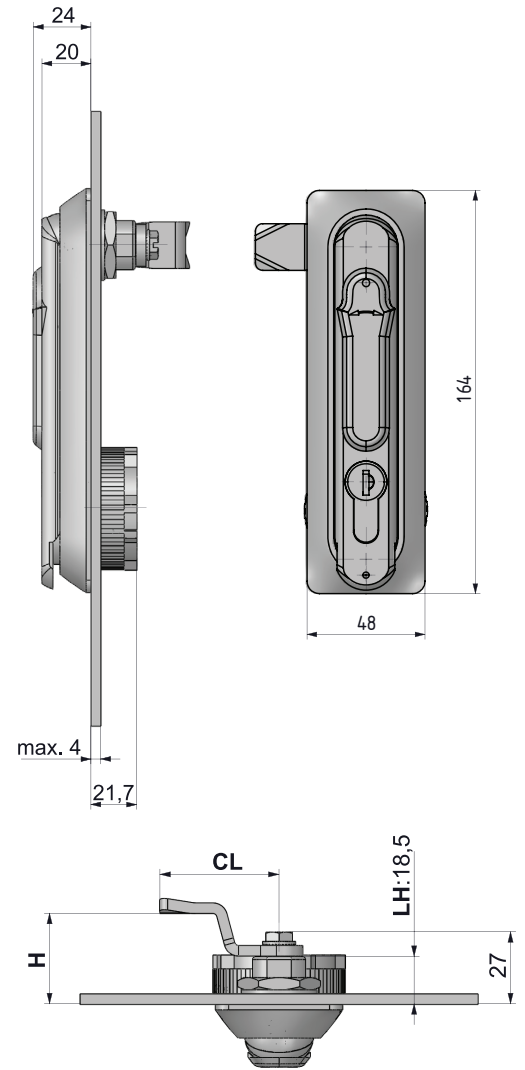
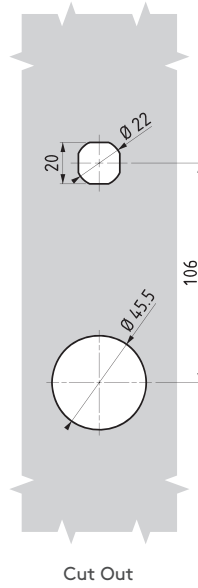


SWINGHANDLE

001



- RoHS
- IP 65
-
-
-



- Small version: page 28
- For steel and polyester cabinets
- 40 mm Euro Profile single-cylinder fitted
- For 42 mm Euro Profile single-cylinder contact Essentra

MATERIAL

BODY: Polyamide DIN-EN ISO 1043-1 PA6 GFR 30
HANDLE: Polyamide DIN-EN ISO 1043-1 PA6 GFR 30
CYLINDER: Zamak DIN-EN 1774-ZnAl4Cu1
CAM: Steel
SEAL: Rubber



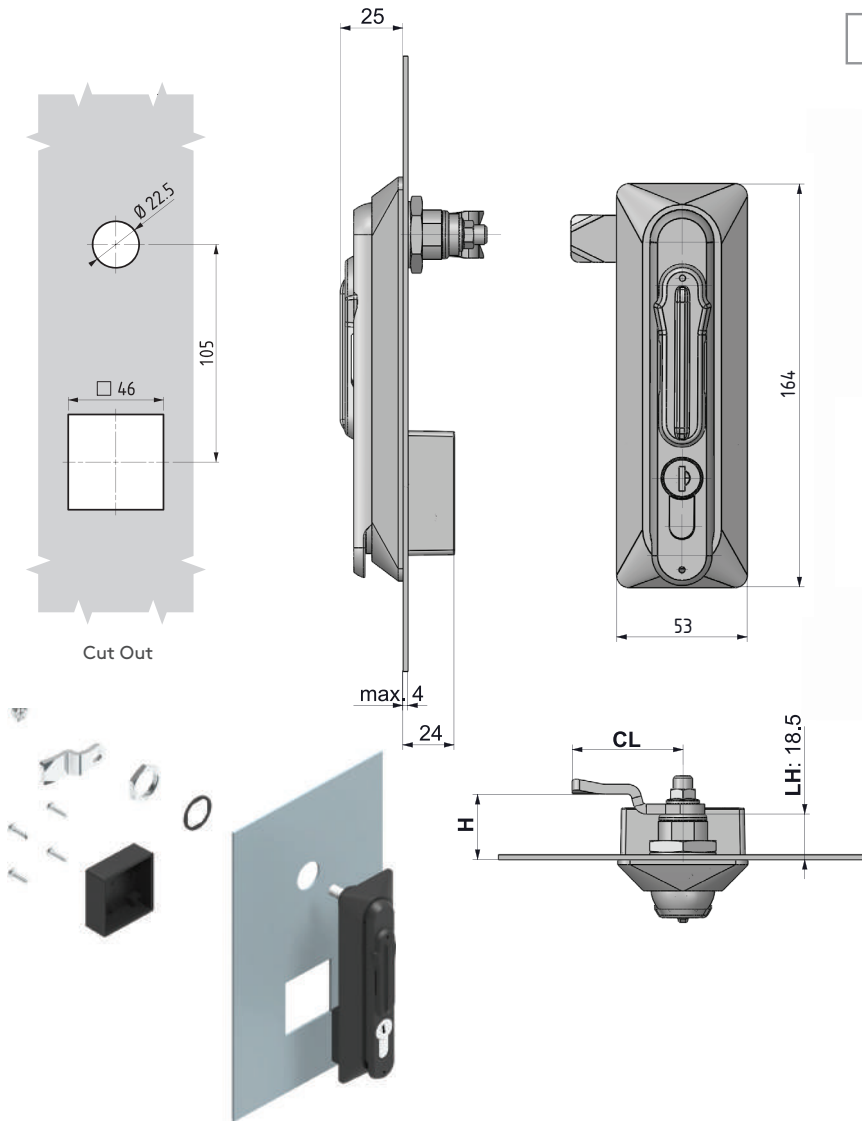
Padlock application

CYLINDER TYPE		DD
	Keyed alike (Stainless steel dust cap)	03
	Keyed differ (Stainless steel dust cap)	32
	Master system	04
	Euro key (5333)	05
	CH751 (Stainless steel dust cap)	07
DRIVER TYPE		DD
	5 mm Double bit	15
	8 mm Square	28
	9 mm Triangular	39
	Eastern	91
HIGH-SECURITY CYLINDER (Zamak)		DD
	Keyed alike	22
	Keyed differ	23
NO CYLINDER		DD
	Plastic blind cylinder	24

- For cams please check pages: 170 - 171
- For keys please check pages: 189 - 191
- For rods please check pages 178 - 188

Group Code	Driver Cylinder	Cam	Padlock*
001	DD	CC	

*: add "1" for padlock application



201

SWINGHANDLE



- For steel and polyester cabinets
- 40 mm Euro Profile single-cylinder fitted
- For 42 mm Euro Profile single-cylinder contact Essentra

MATERIAL

BODY: Polyamide DIN-EN ISO 1043-1 PA6 GFR 30
HANDLE: Polyamide DIN-EN ISO 1043-1 PA6 GFR 30
TOZ K.: Zamak DIN-EN 1774-ZnAl4Cu1
CYLINDER: Zamak DIN-EN 1774-ZnAl4Cu1
CAM: Steel
SEAL: Rubber



Padlock application

CYLINDER TYPE		DD
	Keyed alike (Stainless steel dust cap)	03
	Keyed differ (Stainless steel dust cap)	32
	Master system	04
	Euro key (5333)	05
	CH751 (Stainless steel dust cap)	07
DRIVER TYPE		DD
	5 mm Double bit	15
	8 mm Square	28
	9 mm Triangular	39
	Eastern	91
HIGH-SECURITY CYLINDER (Zamak)		DD
	Keyed alike	22
	Keyed differ	23
NO CYLINDER		DD
	Plastic blind cylinder	24

Group Code	Driver Cylinder	Cam	Padlock*
201	DD	CC	

*: add "1" for padlock application

For cams please check pages: 170 - 171

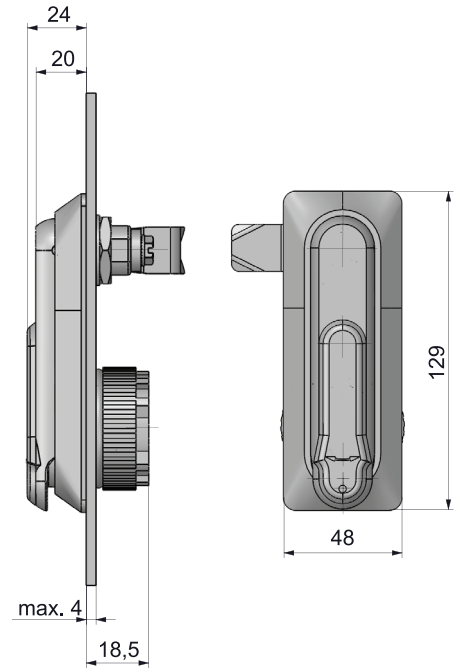
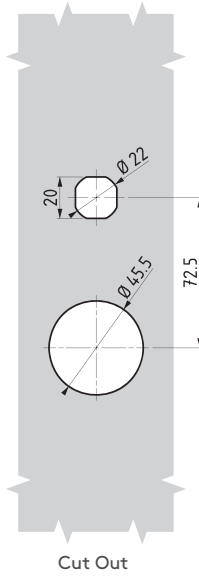
For keys please check pages: 189 - 191

For rods please check pages 178 - 188

SWINGHANDLE

001

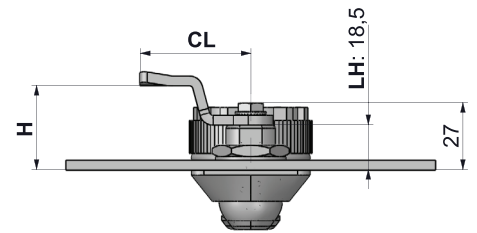
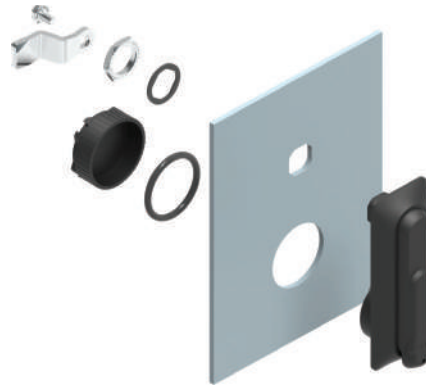
SMALL VERSION



- Large version: page 26
- For steel and polyester cabinets
- 40 mm Euro Profile single-cylinder fitted

MATERIAL

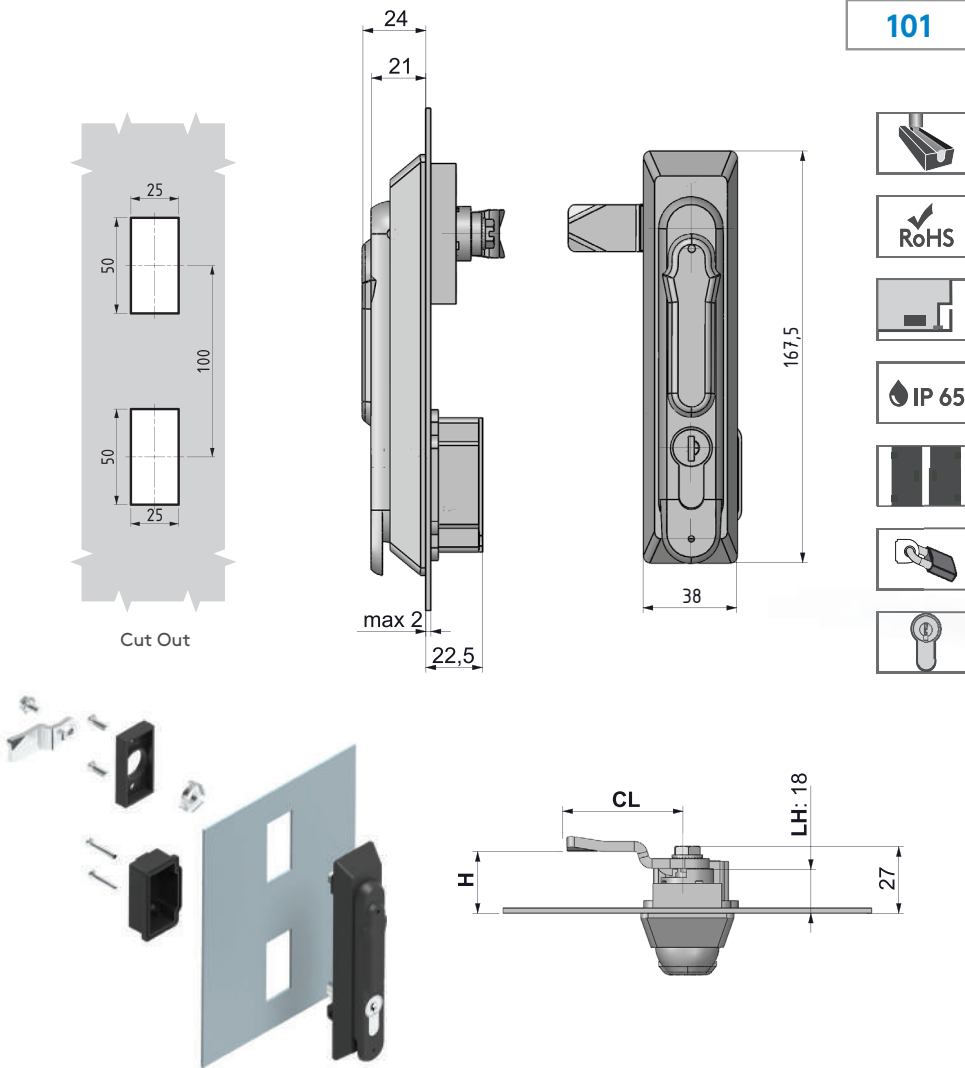
BODY: Polyamide DIN-EN ISO 1043-1 PA6 GFR 30
HANDLE: Polyamide DIN-EN ISO 1043-1 PA6GFR 30
CYLINDER: Zamak DIN-EN 1774-ZnAl4Cu1
CAM: Steel
SEAL: Rubber



CYLINDER TYPE		DD
	Keyed alike (Stainless steel dust cap)	03
	Keyed differ (Stainless steel dust cap)	32
	Master system	04
	Euro key (5333)	05
	CH751 (Stainless steel dust cap)	07
DRIVER TYPE		DD
	5 mm Double bit	15
	8 mm Square	28
	9 mm Triangular	39
	Eastern	91
HIGH-SECURITY CYLINDER (Zamak)		DD
	Keyed alike	22
	Keyed differ	23
NO CYLINDER		DD
	Plastic blind cylinder	24

- For cams please check pages: 170 - 171
- For keys please check pages: 189 - 191
- For rods please check pages 178 - 188

Group Code	Version	Cylinder	Cam
001	2	DD	CC



101

SWINGHANDLE



- Swinghandle for steel and polyester cabinets
- 40 mm Euro Profile single-cylinder fitted
- Padlockable version available
- For 42 mm Euro Profile single-cylinder contact Essentra

MATERIAL

BODY: Polyamide DIN-EN ISO 1043-1 PA6 GFR 30
HANDLE: Polyamide DIN-EN ISO 1043-1 PA6GFR 30
CYLINDER: Zamak DIN-EN 1774-ZnAl4Cu1
CAM: Steel
SEAL: Rubber



Padlock application

CYLINDER TYPE		DD
	Keyed alike (Stainless steel dust cap)	03
	Keyed differ (Stainless steel dust cap)	32
	Master system	04
	Euro key (5333)	05
	CH751 (Stainless steel dust cap)	07
DRIVER TYPE		DD
	5 mm Double bit	15
	8 mm Square	28
	9 mm Triangular	39
	Eastern	91
HIGH-SECURITY CYLINDER (Zamak)		DD
	Keyed alike	22
	Keyed differ	23
NO CYLINDER		DD
	Plastic blind cylinder	24

Group Code	Driver Cylinder	Cam	Padlock*
101	DD	CC	

*: add "1" for padlock application

For cams please check pages: 170 - 171

For keys please check pages: 189 - 191

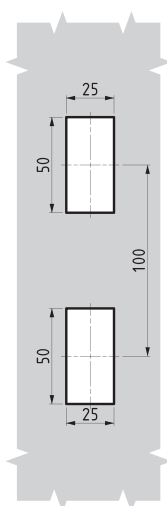
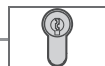
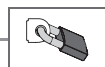
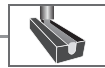
For rods please check pages 178 - 188

SWINGHANDLES

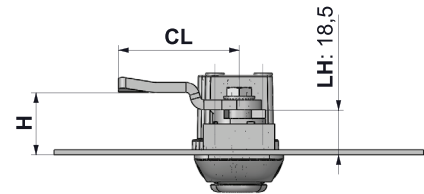
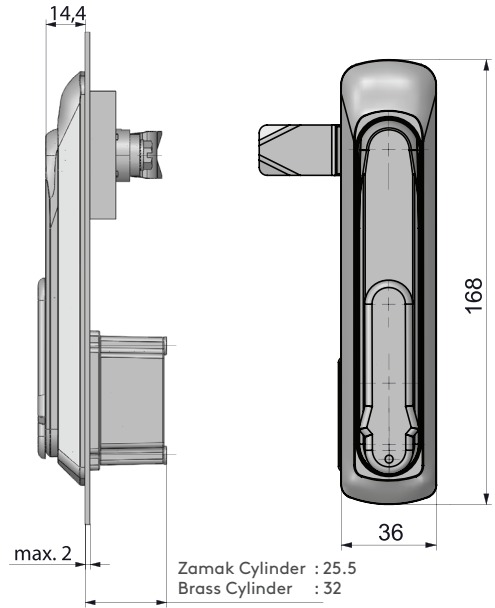
SWINGHANDLE

501

ALL IN METAL



Cut Out



- Stainless steel version: page 445
- Die-cast construction stronger than polyamide
- Thin external profile, 14.4 mm, for flush appearance
- High-security, brass, Euro Profile single-cylinder available
- Dust cap available
- Padlockable version available
- For customised colours contact Essentra

MATERIAL

BODY: Zamak DIN-EN 1774-ZnAl4Cu1
 HANDLE: Zamak DIN-EN 1774-ZnAl4Cu1
 CAM: Steel
 SEAL: Polyurethane
 PADLOCK HASP: Stainless steel

⚠ Note: Special espagnolette cam should be used for this application. Please check page 177.



O:1
Dust cap application



O:2
Padlock application



O:12
Dust cap + Padlock application

CYLINDER TYPE		DD
	Keyed alike (Stainless steel dust cap)	03
	Keyed differ (Stainless steel dust cap)	32
	CH751 (Stainless steel dust cap)	07
DRIVER TYPE		DD
	5 mm Double bit	15
	8 mm Square	28
	9 mm Triangular	39
	Eastern	91
BRASS CYLINDER		DD
	Keyed alike	11
HIGH-SECURITY CYLINDER (Zamak)		DD
	Keyed alike	22
	Keyed differ	23

MATERIAL	M	FINISH	F
Zamak	1	Chrome plated	1
		Black coated	2

Group Code	Handle	Body	Cylinder	Cam	Option
501	1 F	1 F	DD	CC	O

For cams please check pages: 170 - 171

For rods please check pages 178 - 188

For keys please check pages: 189 - 191



601

SWINGHANDLE



- All metal construction
- Swinghandle for steel and polyester cabinets
- 40 mm Euro Profile single -cylinder fitted
- Improved corrosion resistance
- High-security, brass, Euro Profile single-cylinder available

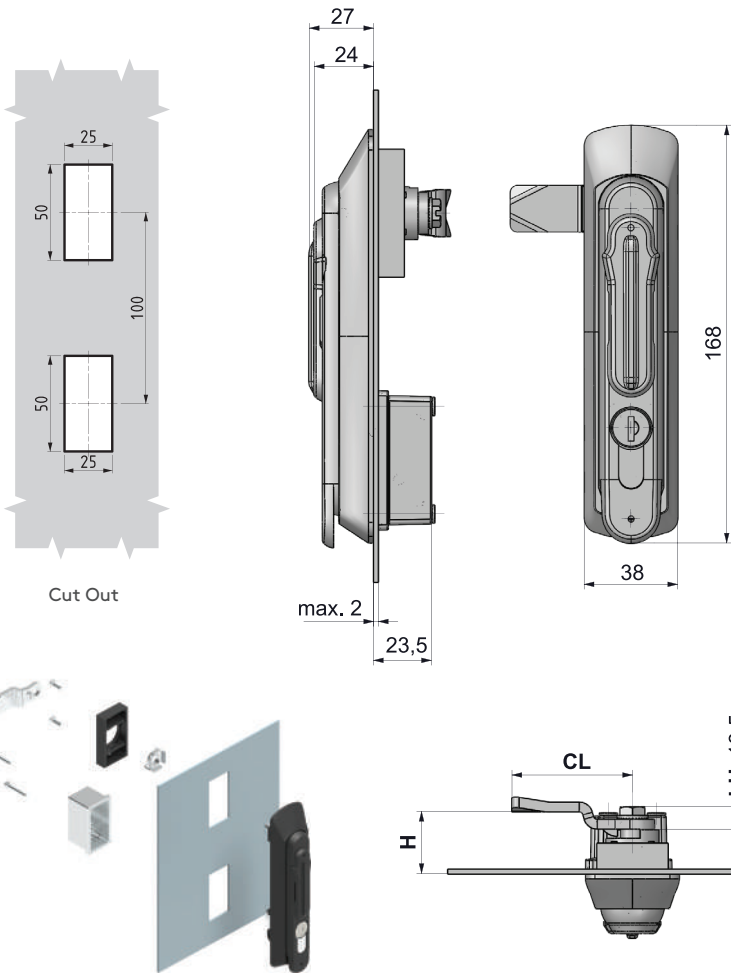
MATERIAL

BODY: Zamak DIN-EN 1774-ZnAl4Cu1
HANDLE: Zamak DIN-EN 1774-ZnAl4Cu1
COVER: Zamak DIN-EN 1774-ZnAl4Cu1
SEAL: Polyurethane



Padlock application

- For cams please check pages: 170 - 171
- For rods please check pages 178 - 188
- For keys please check pages: 189 - 191



Cut Out



CYLINDER TYPE		DD
	Keyed alike (Stainless steel dust cap)	03
	Keyed differ (Stainless steel dust cap)	32
	CH751 (Stainless steel dust cap)	07
DRIVER TYPE		DD
	5 mm Double bit	15
	8 mm Square	28
	9 mm Triangular	39
	Eastern	91
BRASS CYLINDER		DD
	Keyed alike	11
HIGH-SECURITY CYLINDER (Zamak)		DD
	Keyed alike	22
	Keyed differ	23

MATERIAL	M	FINISH	F
Zamak	1	Chrome plated	1
		Black coated	2

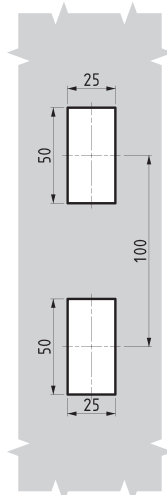
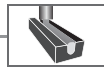
Group Code	Handle	Body	Cylinder	Cam	Padlock*
601	1	F	1	F	DD CC

*: add "1" for padlock application

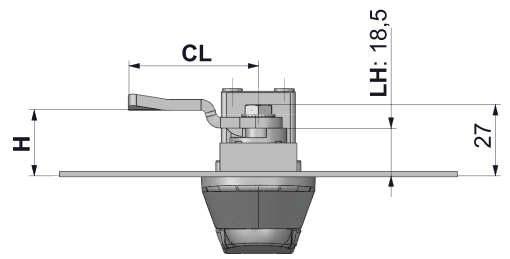
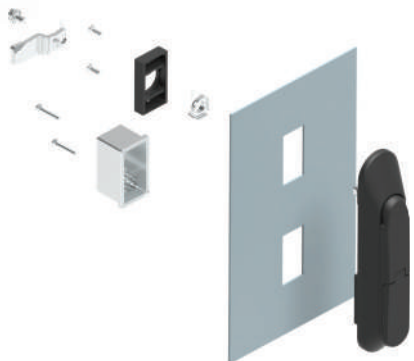
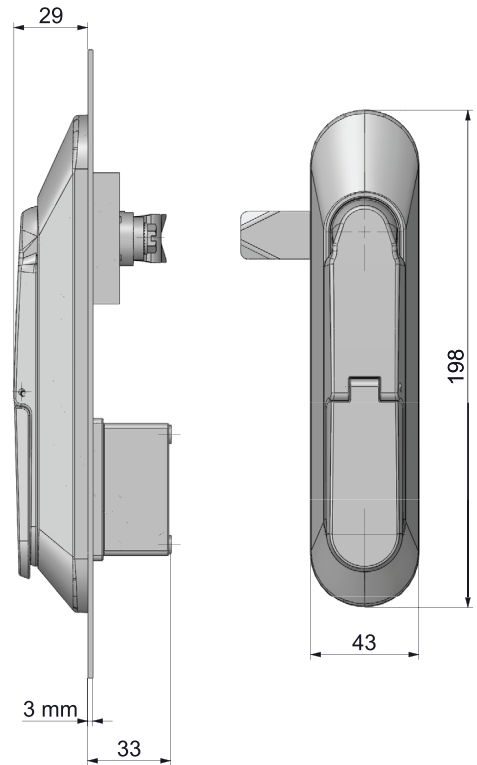
SWINGHANDLE

408

ALL IN METAL



Cut Out



- All metal construction
- Special geometry protects against vandalism
- Complies with DIN EN 1627: 2011-09 RC2 test
- Double o-ring handle improves IP rating
- High-security cylinder alternative available
- Improved IP rating with moving dust cap

MATERIAL

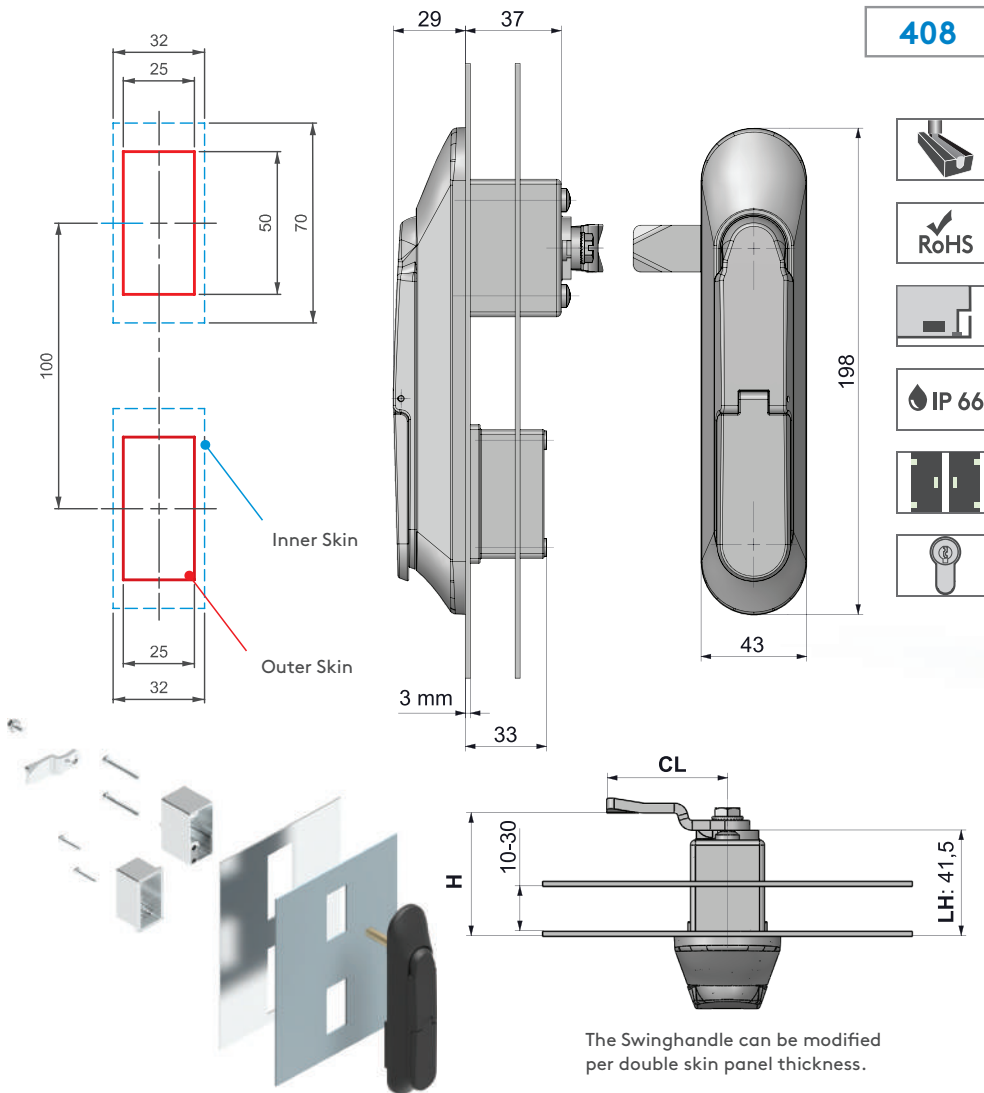
BODY: Zamak DIN-EN 1774-ZnAl4Cu1
 HANDLE: Zamak DIN-EN 1774-ZnAl4Cu1
 CAM: Steel
 SEAL: Polyurethane
 COVER: Zamak DIN-EN 1774-ZnAl4Cu1

CYLINDER TYPE		DD
	Keyed alike (Stainless steel dust cap)	03
	Keyed differ (Stainless steel dust cap)	32
	Master system	04
	Euro key (5333)	05
	CH751 (Stainless steel dust cap)	07
DRIVER TYPE		DD
	5 mm Double bit	15
	8 mm Square	28
	9 mm Triangular	39
	Eastern	91
	HIGH-SECURITY CYLINDER (Zamak)	
	Keyed alike	22
	Keyed differ	23

MATERIAL	M	FINISH	F
Zamak	1	Black coated	2

Group Code	Version	Handle	Body	Cylinder	Cam
408	1	1	2	1	2

- For cams please check pages: 170 - 171
- For rods please check pages 178 - 188
- For keys please check pages: 189 - 191



408

SWINGHANDLE

ALL IN METAL




- 
- 
- 
- 
- 
- 



- All metal construction
- Special geometry for protection against vandalism
- Complies with DIN EN 1627: 2011-09 RC2 test
- Double o-ring handle improves IP rating
- High-security cylinder alternative
- Improves IP rating with moving dust cap




MATERIAL

BODY: Zamak DIN-EN 1774-ZnAl4Cu1
HANDLE: Zamak DIN-EN 1774-ZnAl4Cu1
CAM: Steel
SEAL: Polyurethane
COVER: Zamak DIN-EN 1774-ZnAl4Cu1

CYLINDER TYPE		DD
	Keyed alike (Stainless steel dust cap)	03
	Keyed differ (Stainless steel dust cap)	32
	Master system	04
	Euro key (5333)	05
	CH751 (Stainless steel dust cap)	07
DRIVER TYPE		DD
	5 mm Double bit	15
	8 mm Square	28
	9 mm Triangular	39
	Eastern	91
HIGH-SECURITY CYLINDER (Zamak)		DD
	Keyed alike	22
	Keyed differ	23

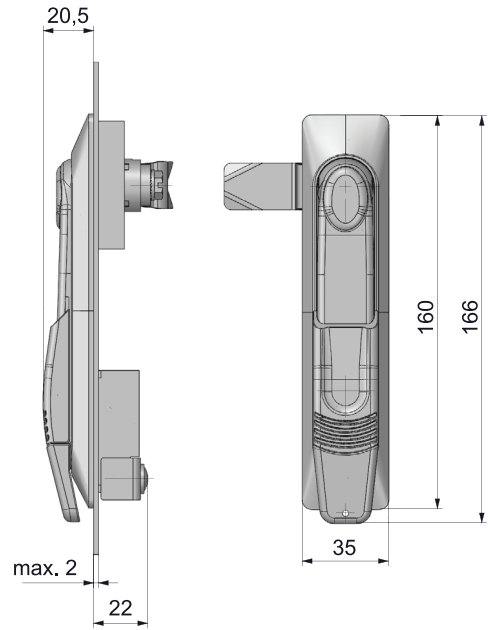
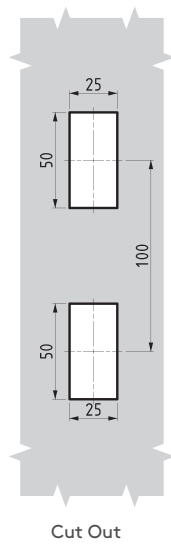
MATERIAL	M	FINISH	F
Zamak	1	Black coated	2

Group Code	Version	Handle	Body	Cylinder	Cam
408	3	1 2	1 2	DD	CC

-  For cams please check pages: 170 - 171
-  For rods please check pages 178 - 188
-  For keys please check pages: 189 - 191

SWINGHANDLE

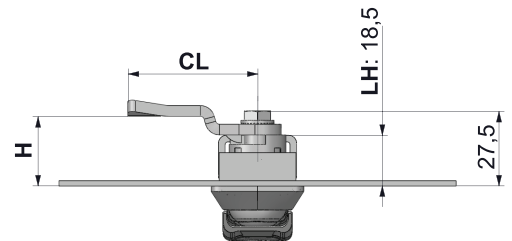
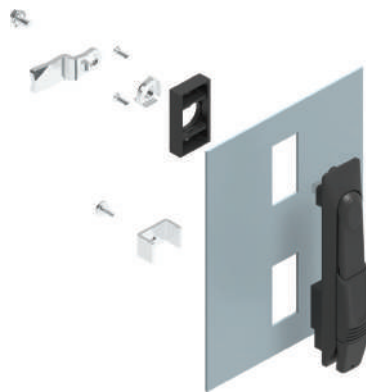
306



- Sliding dust cover
- Ergonomic handle
- Padlockable version available.

MATERIAL

BODY: Polyamide DIN-EN ISO 1043-1 PA6 GFR 30
HANDLE: PA6 GFR 30 or Zamak
CAM: Steel - PA6 GFR 30
SEAL: Polyurethane



Padlock application

Special sliding cover is available for padlockable version

CYLINDER TYPE		DD
	Keyed alike (Stainless steel dust cap)	03
	Keyed differ (Stainless steel dust cap)	32
	Euro key (5333)	05
	CH751 (Stainless steel dust cap)	07
DRIVER TYPE		DD
	5 mm Double bit	15
	8 mm Square	28
	9 mm Triangular	39

MATERIAL	M	FINISH	F
Zamak	1	Chrome plated	1
		Black coated	2
Plastic	2	No finish	0

Group Code	Handle	Body	Driver Cylinder	Cam	Padlock*
306	M	F	2	0	DD
					CC

*: add "1" for padlock application

- For cams please check pages: 170 - 171
- For rods please check pages 178 - 188
- For keys please check pages: 189 - 191



206

SWINGHANDLE



- Sliding dust cover
- Ergonomic handle
- Padlockable version available
- 40 mm Euro Profile cylinder fitted

MATERIAL

BODY: Polyamide DIN-EN ISO 1043-1 PA6 GFR 30
HANDLE: Polyamide DIN-EN ISO 1043-1 PA6 GFR 30
CAM: Steel
SEAL: Polyurethane



Padlock application

Special sliding cover is available for padlockable version



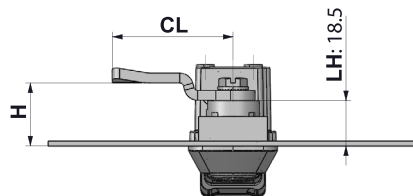
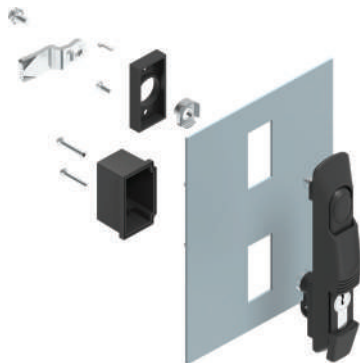
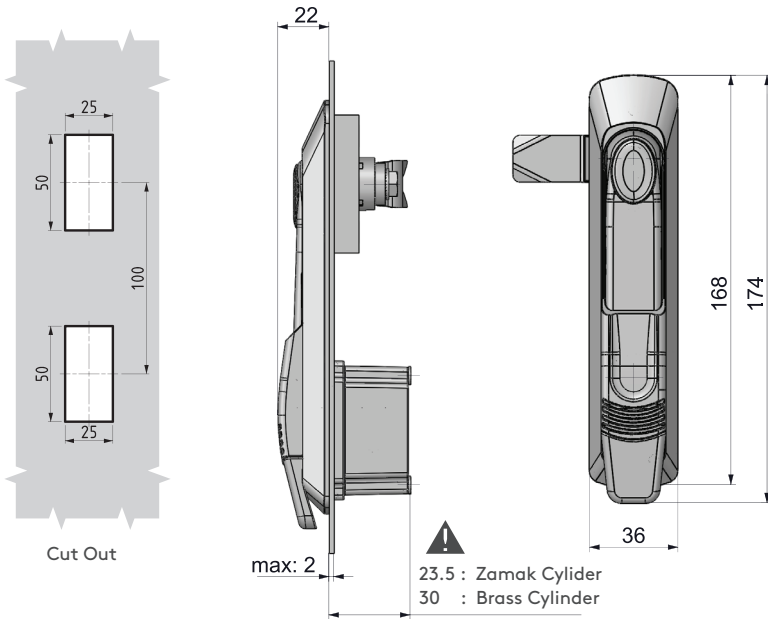
For cams please check pages: 170 - 171



For rods please check pages 178 - 188



For keys please check pages: 189 - 191



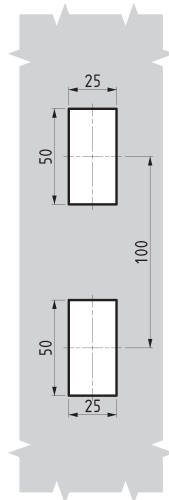
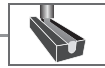
CYLINDER TYPE		DD
	Keyed alike (Stainless steel dust cap)	03
	Keyed differ (Stainless steel dust cap)	32
	Master system	04
	Euro key (5333)	05
	CH751 (Stainless steel dust cap)	07
DRIVER TYPE		DD
	5 mm Double bit	15
	8 mm Square	28
	9 mm Triangular	39
	Eastern	91
BRASS CYLINDER		DD
	Keyed alike	11
NO CYLINDER		DD
	Plastic blind cylinder	24

Group Code	Handle	Body	Cylinder	Cam	Padlock*
206	2	0	2 0	DD	CC

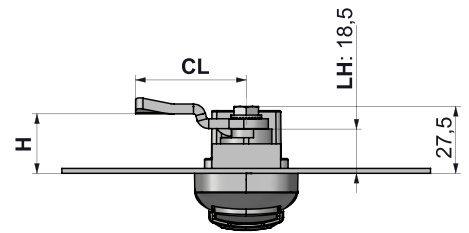
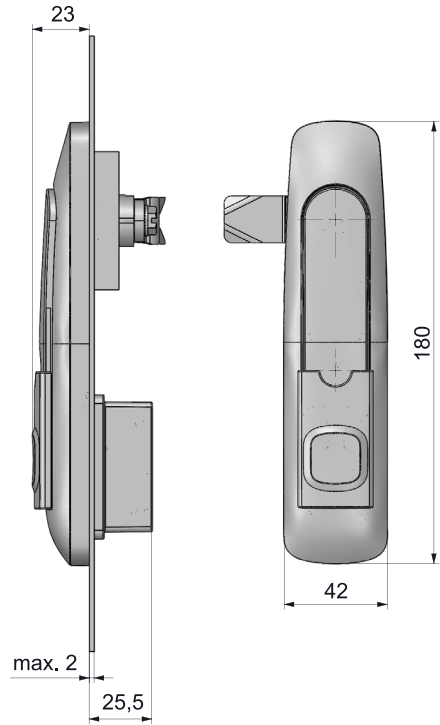
*: add "1" for padlock application

MODULAR SYSTEM SWINGHANDLE

406



Cut Out



- Swing handle has a modular lock structure allows easy modification for customer requests
- Lock and modules could be ordered separately
- Single point locking and gearbox option is possible on same lock by an adaptor
- Padlock is optional
- Easy fixing option by plastic clips

MATERIAL

BODY PA6 GFR 30
 HANDLE Zamak DIN-EN 1774-ZnAl4Cu1
 CAM: Steel
 MODULE Zamak
 SEAL: Polyurethane



Padlock application

CYLINDER TYPE		DD	Order code
	Stainless steel dust cap (Keyed alike)	03	MDL03
	Stainless steel dust cap (Keyed differ)	32	MDL32
	Euro key (5333)	05	MDL05
	CH751 (Stainless steel dust cap)	07	MDL07
DRIVER TYPE		DD	Order code
	5 mm Double bit	15	MDL15
	8 mm Square	28	MDL28
	9 mm Triangular	39	MDL39
	Button	55	MDL55
BRASS CYLINDER		DD	Order code
	Keyed alike	11	MDL11

MATERIAL	M	FINISH	F
Zamak	1	Chrome plated	1
		Black coated	2
Plastic	2	No finish	0

- For cams please check pages: 170 - 171
- For rods please check pages 178 - 188
- For keys please check pages: 189 - 191

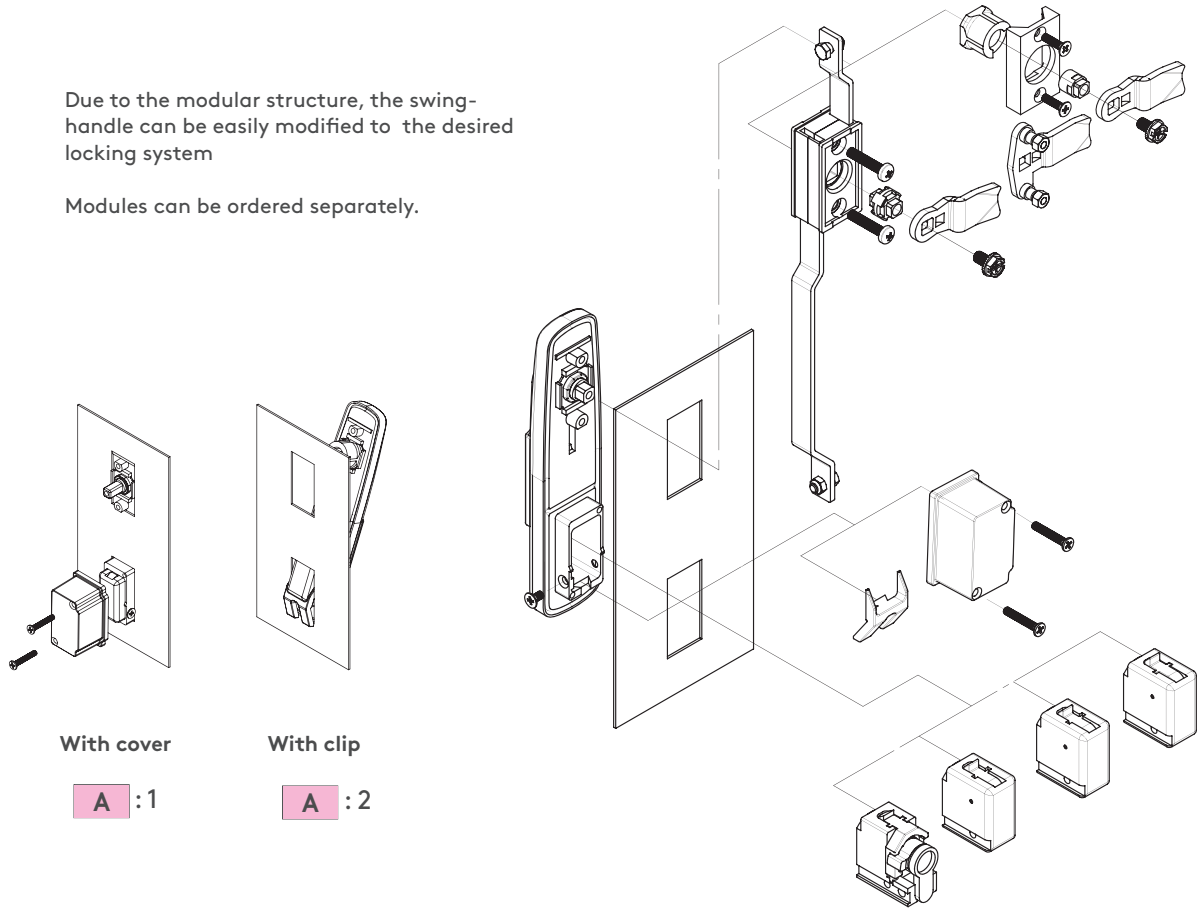
Group Code	Handle	Body	Module	Cam	Assembly	Padlock*
406	1	F	2	0	DD	CC A

*: add "1" for padlock application



Due to the modular structure, the swing-handle can be easily modified to the desired locking system

Modules can be ordered separately.



With cover

A :1

With clip

A :2

The set items can be ordered separately with their codes in below



MLS01

1-SET:

- Body
- Handle
- Dust cap
- Shaft



MLS02

1-SET:

- Plastic Mechanism
- Screws
- Cam Adapter

For multi point locking



MLS03

For single point locking



MDLXX

MODULES

- MDLXX



MLS05

1-SET:

- Plastic Fixed Part
- Screws

With this set the handle meet IP 65 specs.



320.02.246

1-PCS

- Clip-in part

With this clip-in part mounting time reduces by %50

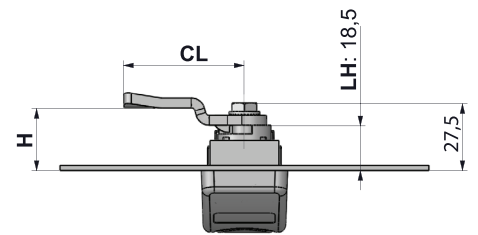
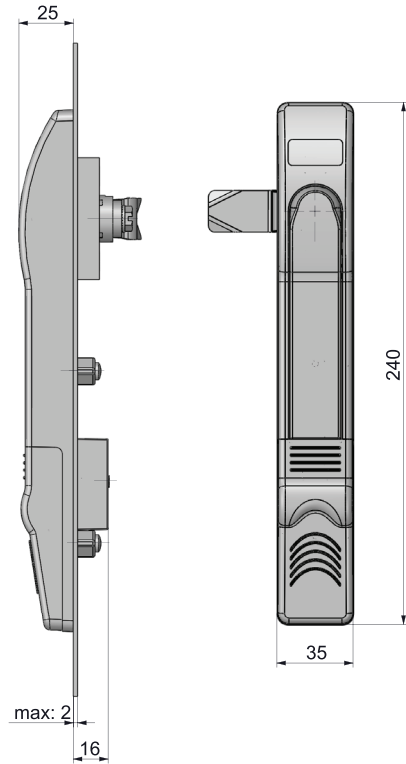
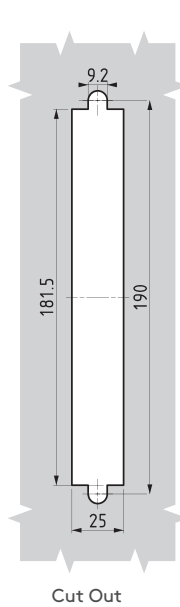
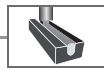


CAMS

Please check the cams page 172-173

SWINGHANDLE

106



- More suitable for indoor applications
- Spring-loaded, slam-action swinghandle
- Sliding dust cover
- Suited for outside gasketing application

MATERIAL

BODY: Polyamide DIN-EN ISO 1043-1 PA6 GFR 30
HANDLE: Zamak DIN-EN 1774-ZnAl4Cu1
CAM: Steel
SEAL: Polyurethane

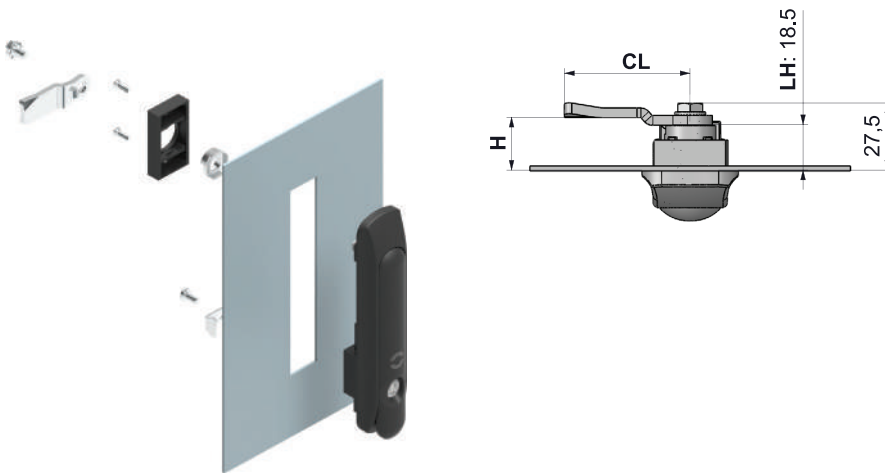
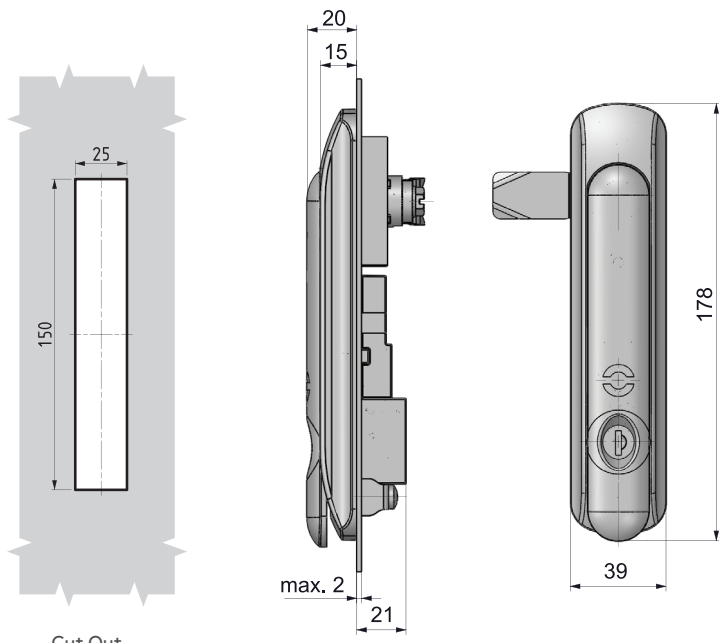
CYLINDER TYPE		DD
	Keyed alike (Stainless steel dust cap)	03
	Keyed differ (Stainless steel dust cap)	32
	Euro key (5333)	05
	CH751 (Stainless steel dust cap)	07
DRIVER TYPE		DD
	5 mm Double bit	15
	8 mm Square	28
	9 mm Triangular	39
	Button	55

MATERIAL	M	FINISH	F
Zamak	1	Chrome plated	1
		Black coated	2
Plastic	2	No finish	0

- For cams please check pages: 170 - 171
- For rods please check pages 178 - 188
- For keys please check pages: 189 - 191


Group Code	Handle	Body	Driver Cylinder	Cam
106	1	F	2	0
			DD	CC

808 SWINGHANDLE



MATERIAL

BODY: Polyamide DIN-EN ISO 1043-1 PA6 GFR 30
HANDLE: Polyamide DIN-EN ISO 1043-1 PA6 GFR 30
CAM: Steel - PA6 GFR 30
SEAL: Polyurethane

	CYLINDER TYPE					DD
	Keyed alike (Stainless steel dust cap)					03
	Keyed differ (Stainless steel dust cap)					32
	Master system					04
	Euro key (5333)					05
	CH751 (Stainless steel dust cap)					07

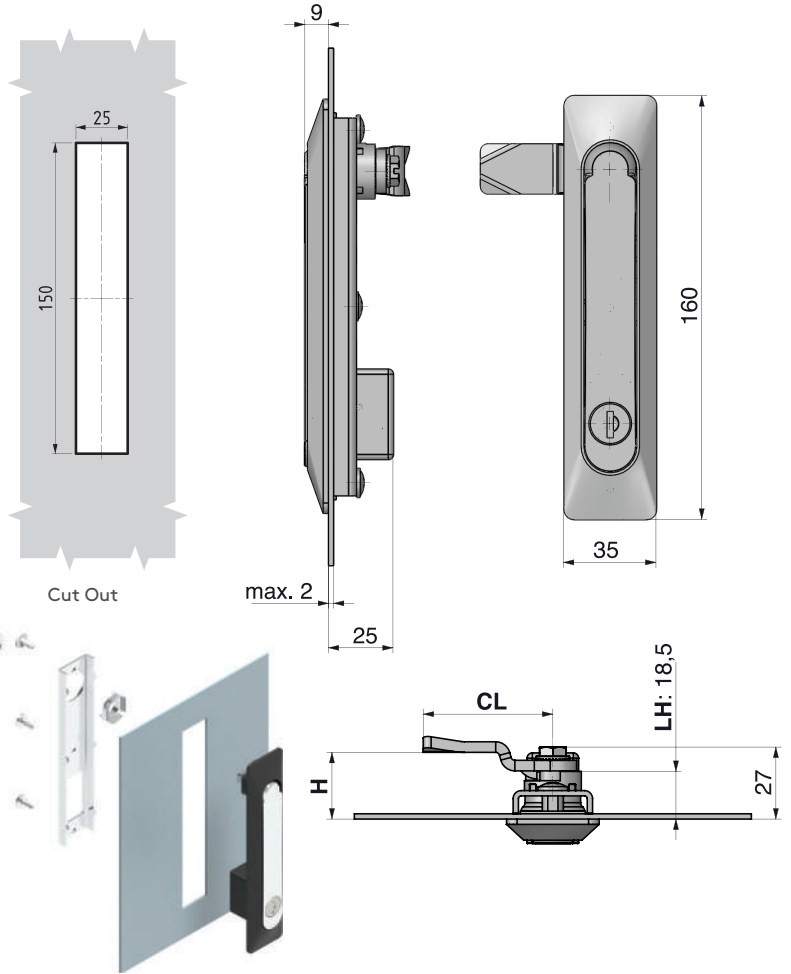
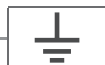
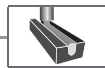
Group Code	Handle	Body	Cylinder	Cam
808	2	0	2	0
			DD	CC

 For cams please check pages: 170 - 171

 For rods please check pages 178 - 188

SWINGHANDLE

008



- Cut out 25 mm x 150 mm
- Steel fixing bracket for improved stability and grounding
- Ultra-low external profile, 8 mm, for flush appearance
- Spring-loaded, slam-action swinghandle

MATERIAL

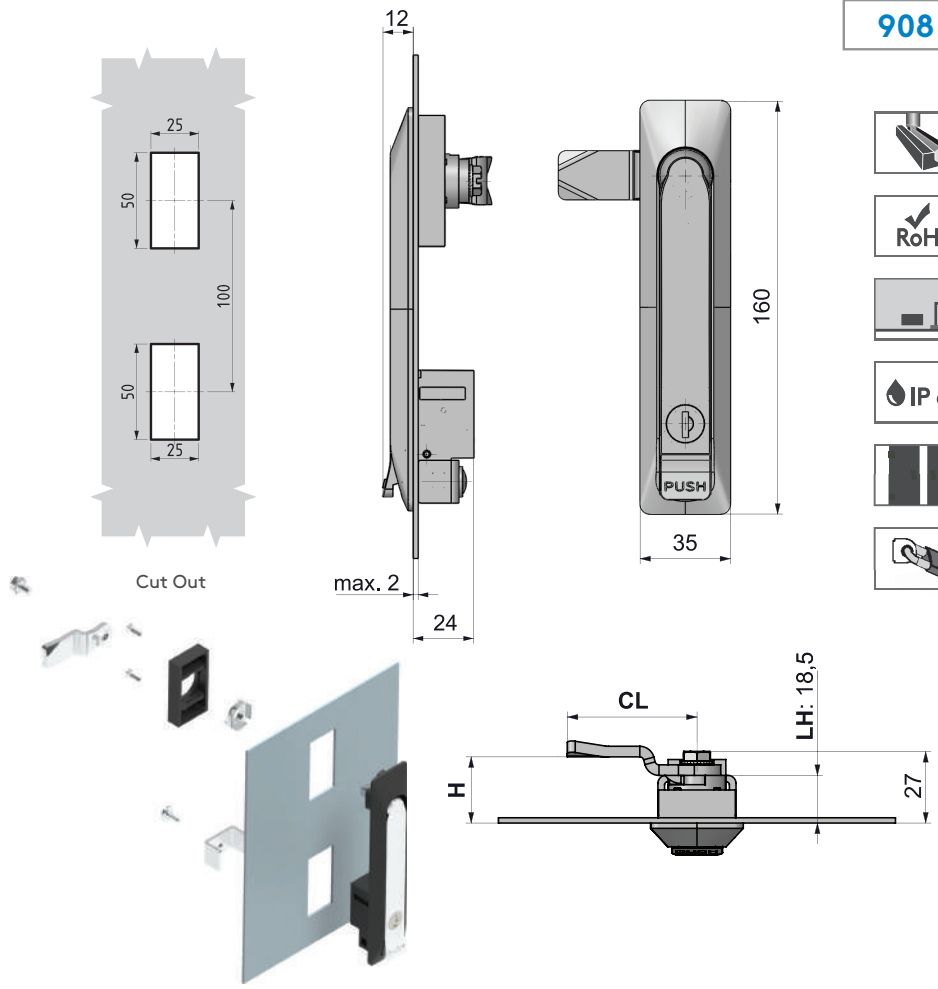
BODY: Polyamide DIN-EN ISO 1043-1 PA6 GFR 30
HANDLE: Zamak DIN-EN 1774-ZnAl4Cu1
CAM: Steel or PA6 GFR 30
SEAL: Polyurethane

CYLINDER TYPE		DD
	Keyed alike (Stainless steel dust cap)	03
	Keyed differ (Stainless steel dust cap)	32
	Master system	04
	Euro key (5333)	05
	CH751 (Stainless steel dust cap)	07
DRIVER TYPE		DD
	5 mm Double bit	15
	8 mm Square	28
	9 mm Triangular	39
HIGH-SECURITY CYLINDER		DD
	Keyed alike	20
	Keyed differ	21

MATERIAL	M	FINISH	F
Zamak	1	Chrome plated	1
		Black coated	2
Plastic	2	No finish	0

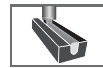
- For cams please check pages: 170 - 171
- For rods please check pages 178 - 188
- For keys please check pages: 189 - 191

Group Code	Handle	Body	Driver Cylinder	Cam
008	F	2	DD	CC



908

SWINGHANDLE



- Swinghandle with push button
- Standard cut out
- Ultra low external profile, just 9 mm, to give flush appearance

MATERIAL

- BODY** : Zamak DIN-EN 1774-ZnAl4Cu1 or PA6 GFR 30
- HANDLE** : Zamak DIN-EN 1774-ZnAl4Cu1
- CAM** : Steel or PA6 GFR30
- SEAL** : Polyurethane

CYLINDER TYPE		DD
	No Cylinder	00
	Keyed alike (Stainless steel dust cap)	03
	Keyed differ (Stainless steel dust cap)	32
	Master system	04
	Euro key (5333)	05
	CH751 (Stainless steel dust cap)	07
DRIVER TYPE		DD
	5 mm Double bit	15
	8 mm Square	28
	9 mm Triangular	39



Padlock application

MATERIAL	M	FINISH	F
Zamak	1	Chrome plated	1
		Black coated	2
Plastic	2	No finish	0

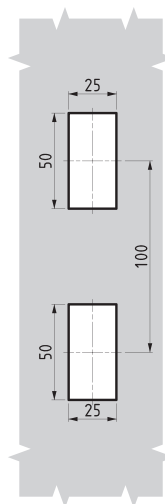
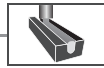
Group Code	Handle	Body	Driver Cylinder	Cam	Padlock*
908	1	F	M	F	DD CC

*: add "1" for padlock application

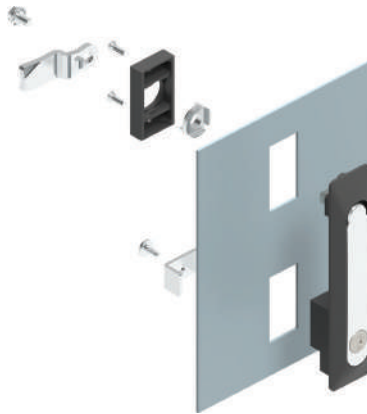
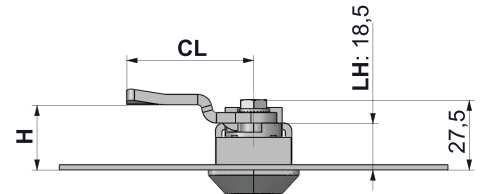
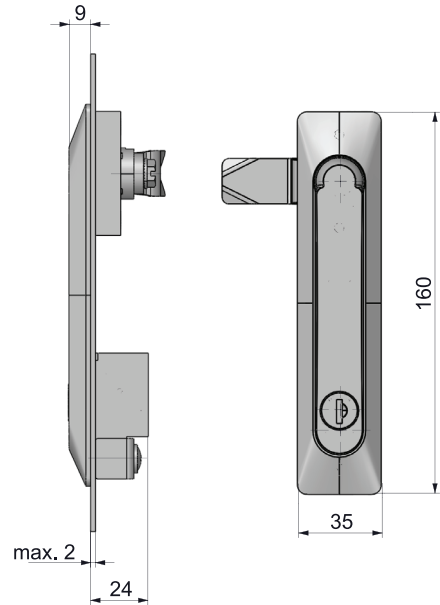
- For cams please check pages: 170 - 171
- For rods please check pages 178 - 188
- For keys please check pages: 189 - 191

SWINGHANDLE

108



Cut Out



- Stronger and better looking than polyamide
- Spring-loaded, slam-action swim handle
- For customised colours contact Essentra

MATERIAL

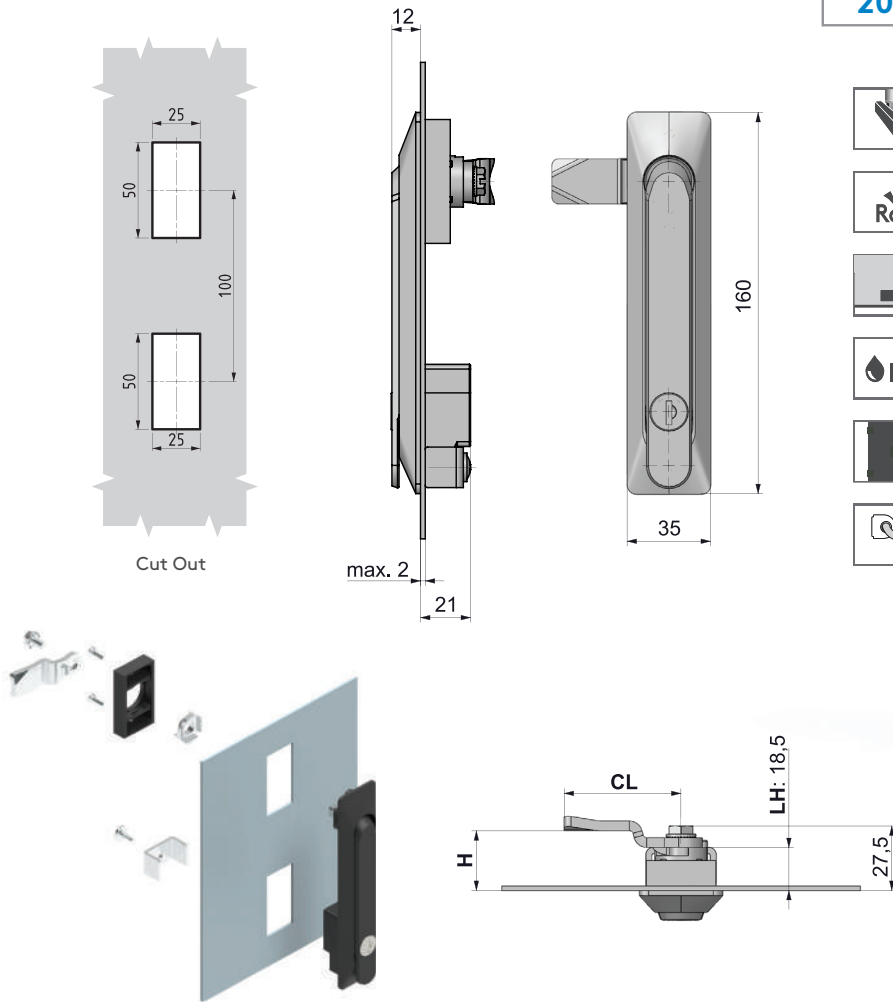
BODY: Zamak DIN-EN 1774-ZnAl4Cu1 or PA6 GFR 30
HANDLE: Zamak DIN-EN 1774-ZnAl4Cu1
CAM: Steel or PA6 GFR 30
SEAL: Polyurethane

CYLINDER TYPE		DD
	Keyed alike (Stainless steel dust cap)	03
	Keyed differ (Stainless steel dust cap)	32
	Master system	04
	Euro key (5333)	05
	CH751 (Stainless steel dust cap)	07
DRIVER TYPE		DD
	5 mm Double bit	15
	8 mm Square	28
	9 mm Triangular	39
HIGH-SECURITY CYLINDER		DD
	Keyed alike	20
	Keyed differ	21

MATERIAL	M	FINISH	F
Zamak	1	Chrome plated	1
		Black coated	2
Plastic	2	No finish	0

- For cams please check pages: 170 - 171
- For rods please check pages 178 - 188
- For keys please check pages: 189 - 191

Group Code	Handle	Body	Driver Cylinder	Cam
108	1	F	M	F
			DD	CC



208

SWINGHANDLE



- Handle is not spring loaded and slam action
- Key can be removed at unlocked position.

MATERIAL

BODY: Zamak DIN-EN 1774-ZnAl4Cu1 or PA6 GFR 30

HANDLE: Zamak DIN-EN 1774-ZnAl4Cu1 or PA6 GFR 30

CAM: Steel or PA6 GFR 30
SEAL: Polyurethane



Padlock application
(All in metal only is applied)

No Cylinder

CYLINDER TYPE		DD
	No Cylinder	00
	Keyed alike (Stainless steel dust cap)	03
	Keyed differ (Stainless steel dust cap)	32
	Master system	04
	Euro key (5333)	05
	CH751 (Stainless steel dust cap)	07
DRIVER TYPE		DD
	5 mm Double bit	15
	8 mm Square	28
	9 mm Triangular	39

MATERIAL	M	FINISH	F
Zamak	1	Chrome plated	1
		Black coated	2
Plastic	2	No finish	0

Group Code	Handle	Body	Driver Cylinder	Cam	Padlock*
208	M	F	M	F	DD
					CC

*: add "1" for padlock application



For cams please check pages: 170 - 171

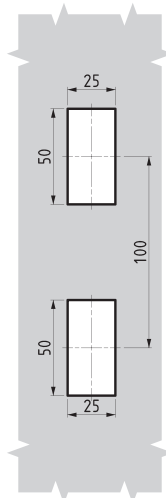
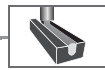


For rods please check pages 178 - 188

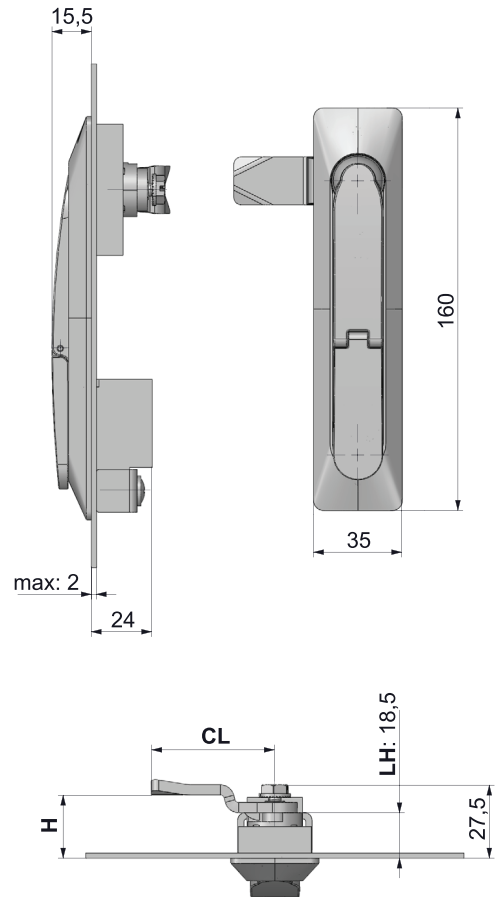
SWINGHANDLE

108

ALL IN METAL



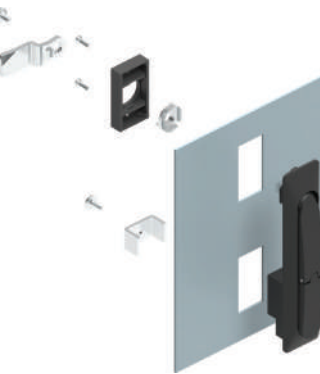
Cut Out






- All metal construction
- Improved corrosion resistance.
- High-security cylinder alternative
- Improved IP resistance with moving dust cap

MATERIAL




BODY: Zamak DIN-EN 1774-ZnAl4Cu1
HANDLE: Zamak DIN-EN 1774-ZnAl4Cu1
CAM: Steel or PA6 GFR 30
SEAL: Polyurethane

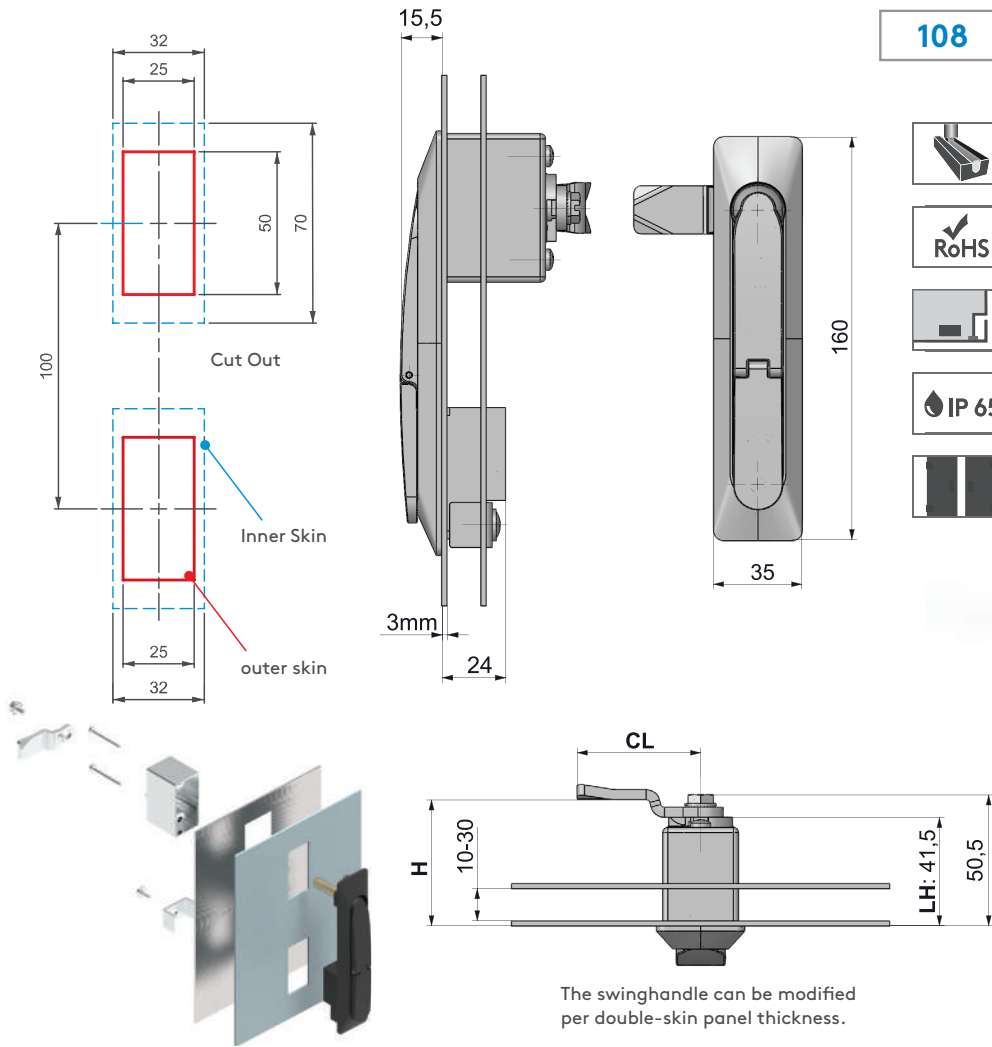


CYLINDER TYPE		DD
	Keyed alike (Stainless steel dust cap)	03
	Keyed differ (Stainless steel dust cap)	32
	Master system	04
	Euro key (5333)	05
	CH751 (Stainless steel dust cap)	07
DRIVER TYPE		DD
	5 mm Double bit	15
	8 mm Square	28
	9 mm Triangular	39
HIGH-SECURITY CYLINDER		DD
	Keyed alike	20
	Keyed differ	21

MATERIAL	M	FINISH	F
Zamak	1	Chrome plated	1
		Black coated	2

Group Code	Version	Handle	Body	Cylinder	Cam
108	2	1	F	1	F

-  For cams please check pages: 170 - 171
-  For rods please check pages 178 - 188
-  For keys please check pages: 189 - 191



108

SWINGHANDLE

ALL IN METAL



- Ideal for double-skin doors and outdoor cabinets
- Improved strength to protect against vandalism
- High-security cylinder with special shaped key prevents unauthorized duplication
- Improved IP resistance with moving dust cap
- Spring-loaded, slam-action swinghandle

MATERIAL

BODY: Zamak DIN-EN 1774-ZnAl4Cu1
 HANDLE: Zamak DIN-EN 1774-ZnAl4Cu1
 CAM: Steel or PA6 GFR 30
 SEAL: Polyurethane

CYLINDER TYPE		DD
	Keyed alike (Stainless steel dust cap)	03
	Keyed differ (Stainless steel dust cap)	32
	Master system	04
	Euro key (5333)	05
	CH751 (Stainless steel dust cap)	07
DRIVER TYPE		DD
	5 mm Double bit	15
	8 mm Square	28
	9 mm Triangular	39
HIGH-SECURITY CYLINDER		DD
	Keyed alike	20
	Keyed differ	21

MATERIAL	M	FINISH	F
Zamak	1	Chrome plated	1
		Black coated	2

Group Code	Version	Handle	Body	Cylinder	Cam
108	3	1 F	1 F	DD	CC

For cams please check pages: 170 - 171

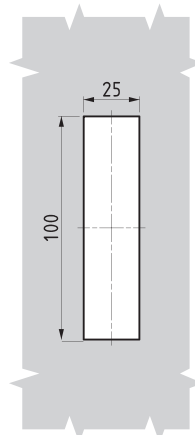
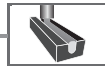
For rods please check pages 178 - 188

For keys please check pages: 189 - 191

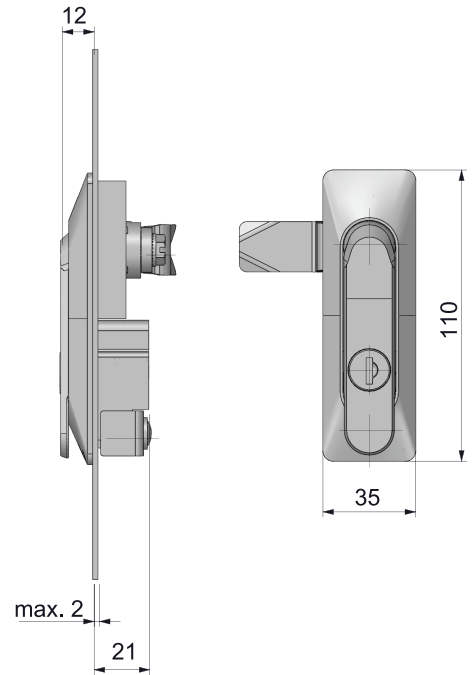
SWINGHANDLE

308

SMALL VERSION



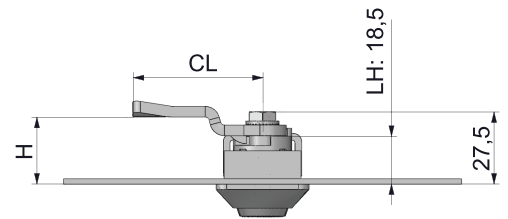
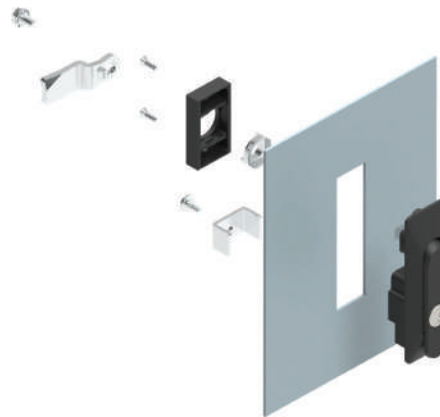
Cut Out



- For indoor applications
- 25 mm x 100 mm cut out

MATERIAL

BODY: Polyamide DIN-EN ISO 1043-1 PA6 GFR 30
HANDLE: Zamak DIN-EN 1774-ZnAl4Cu1 or PA6 GFR 30
CAM: Steel
SEAL: Polyurethane



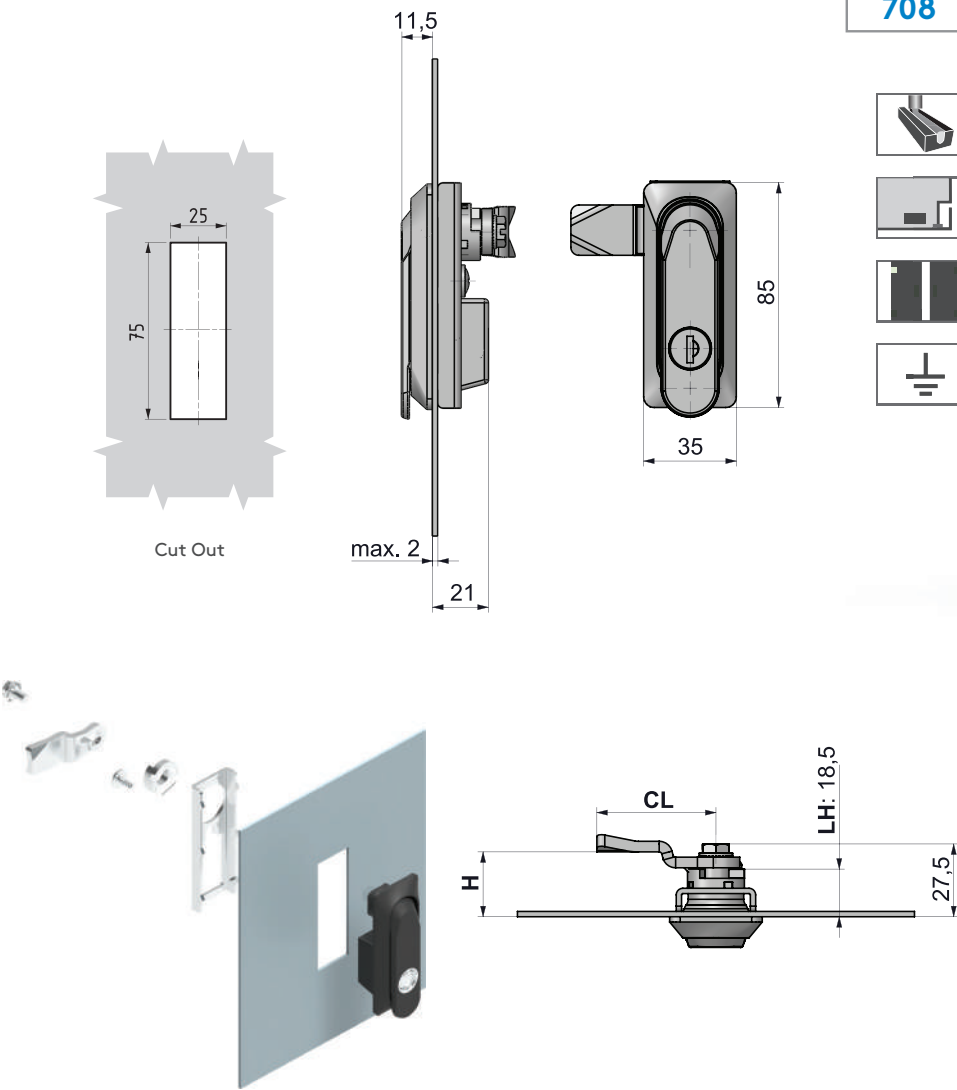
No Cylinder

CYLINDER TYPE		DD
	No Cylinder	00
	Keyed alike (Stainless steel dust cap)	03
	Keyed differ (Stainless steel dust cap)	32
	Master system	04
	Euro key (5333)	05
	CH751 (Stainless steel dust cap)	07

MATERIAL	M	FINISH	F
Zamak	1	Chrome plated	1
		Black coated	2
Plastic	2	No finish	0

Group Code	Handle	Body	Driver Cylinder	Cam
308	M	F	2	0
			DD	CC

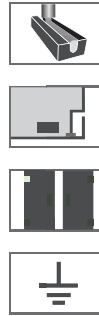
For cams please check pages: 170 - 171



708

SWINGHANDLE

SMALL VERSION



- Can be used for internal applications
- 25 X 75 mm cut out
- Lock can be opened by pressing the button

MATERIAL

BODY:	Polyamide DIN-EN ISO 1043-1 PA6 GFR 30
HANDLE:	Polyamide DIN-EN ISO 1043-1 PA6 GFR 30
CYLINDER:	Zamak DIN-EN 1774-ZnAl4Cu1
BUTTON:	Zamak DIN-EN 1774-ZnAl4Cu1
CAM:	Steel
SEAL:	Polyurethane

CYLINDER TYPE		DD
	Keyed alike (Stainless steel dust cap)	03
	Keyed differ (Stainless steel dust cap)	32
	Master system	04
	Euro key (5333)	05
	CH751 (Stainless steel dust cap)	07
	Button	55

MATERIAL	M	FINISH	F
Zamak	1	Chrome plated	1
		Black coated	2
Plastic	2	No finish	0

Group Code	Handle	Body	Cylinder	Cam
708	2	0	2	DD

Group Code	Handle	Button	Cam
708	2	0	1 F

Button type code system

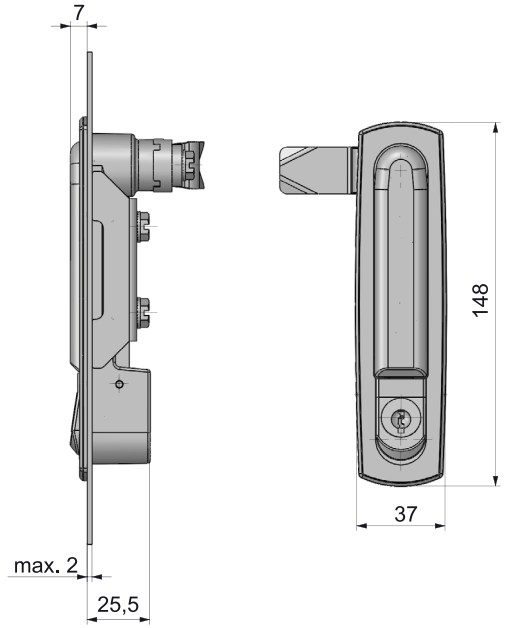
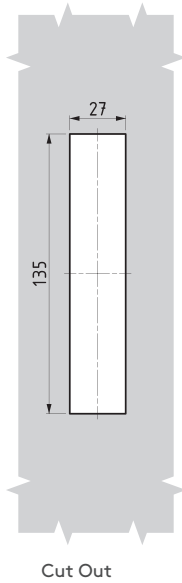
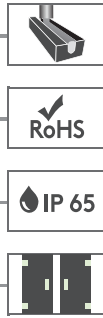


For cams please check pages: 170 - 171

SWINGHANDLE

508

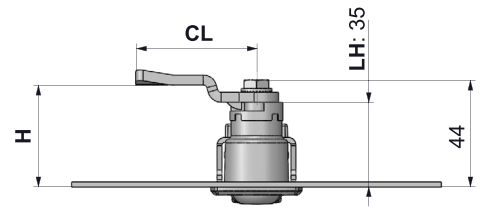
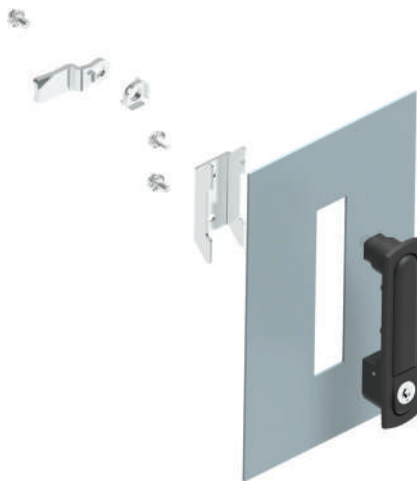
ALL IN METAL



- Swinghande with push button
- Can assemble with one fixing bracket
- Offers an economical solution

MATERIAL

BODY: Zamak DIN-EN 1774-ZnAl4Cu1
HANDLE: Zamak DIN-EN 1774-ZnAl4Cu1
CAM: Steel or PA6 GFR30
SEAL: Polyurethane



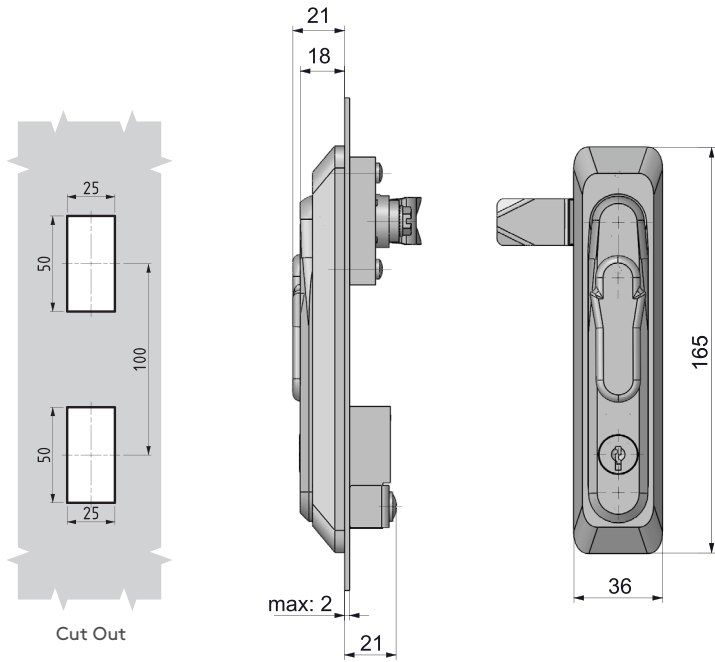
No Cylinder

CYLINDER TYPE		DD
	No Cylinder	00
	Keyed alike	01
	Keyed differ	02

MATERIAL	M	FINISH	F
Zamak	1	Chrome plated	1
		Black coated	2

Group Code	Handle	Body	Driver Cylinder	Cam
508	1	F	1	F
			DD	CC

For cams please check pages: 170 - 171



006

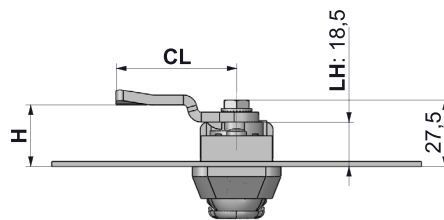
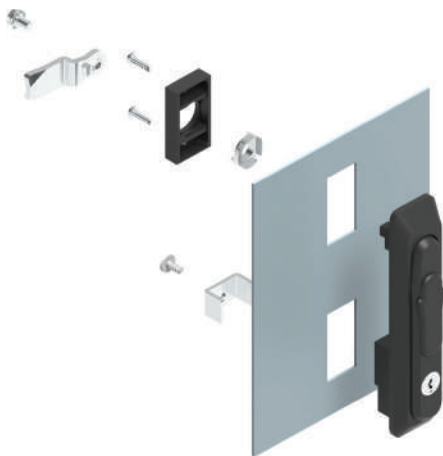
SWINGHANDLE



- Lower strength swinghandle that accepts: cylindrical drivers only
- Spring-loaded, slam-action swinghandle
- For indoor and outdoor application

MATERIAL

BODY: Polyamide DIN-EN ISO 1043-1 PA6 GFR 30
HANDLE: Polyamide DIN-EN ISO 1043-1 PA6 GFR 30
CAM: Steel or PA6 GFR 30
SEAL: Polyurethane



CYLINDER TYPE		DD
	Keyed alike (Stainless steel dust cap)	03
	Keyed differ (Stainless steel dust cap)	32
	Master system	04
	Euro key (5333)	05
	CH751 (Stainless steel dust cap)	07
DRIVER TYPE		DD
	5 mm Double bit	15
	8 mm Square	28
	9 mm Triangular	39

Group Code	Driver Cylinder	Cam
006	DD	CC

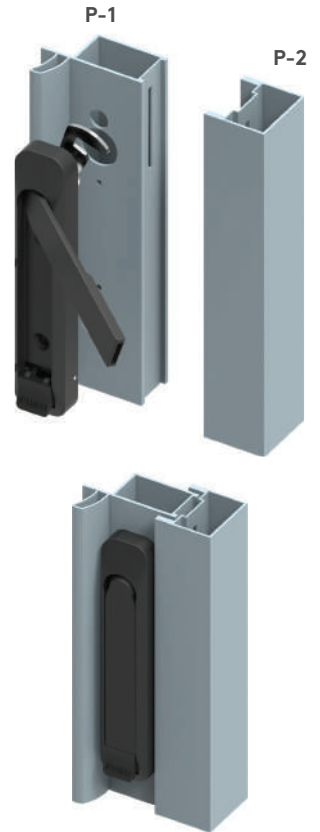
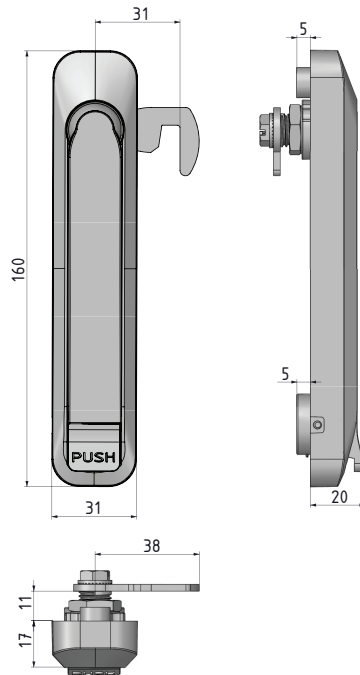
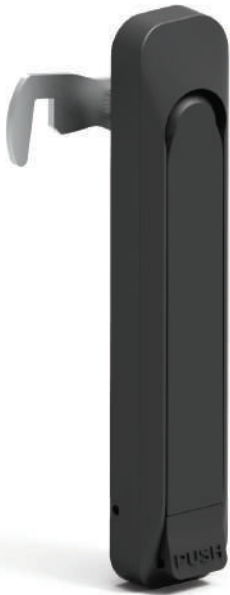
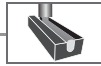
For cams please check pages: 170 - 171

For rods please check pages 178 - 188

For keys please check pages: 189 - 191

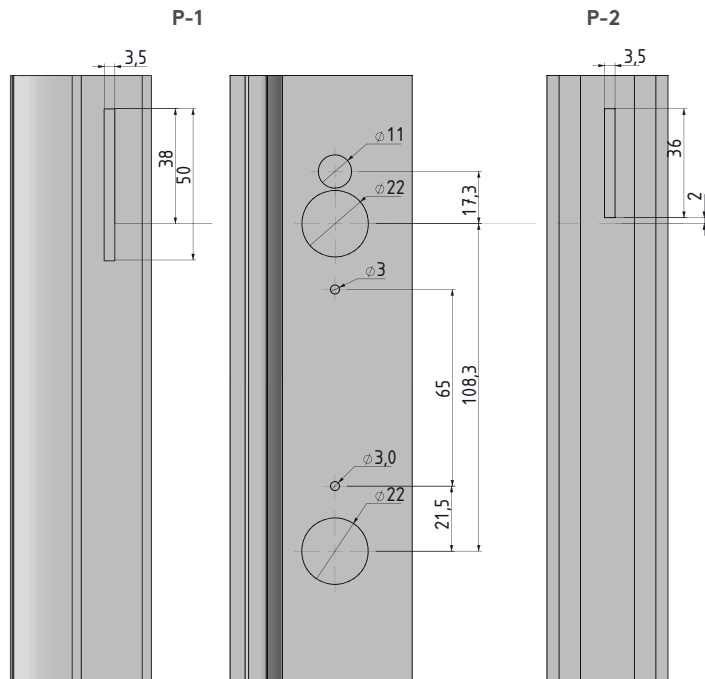
SWINGHANDLE

205



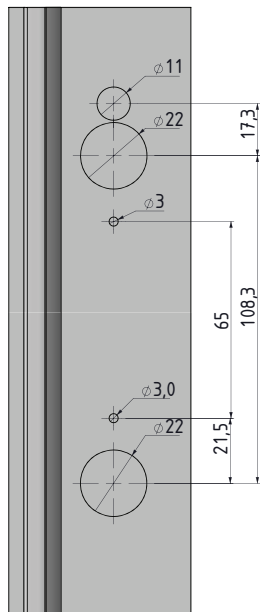
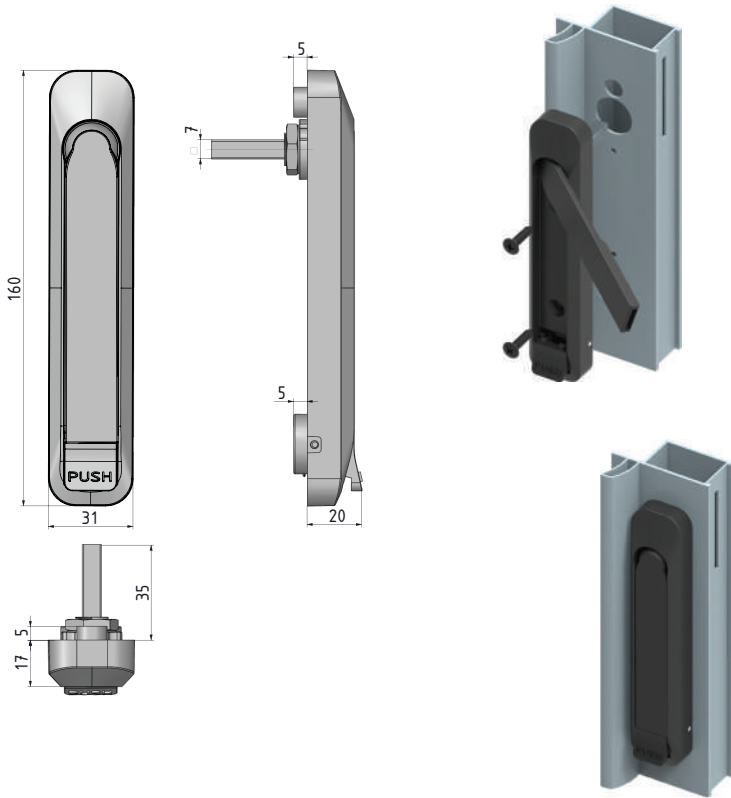
MATERIAL

BODY: Polyamide DIN-EN ISO 1043-1 PA6 GFR 30
 HANDLE: Zamak DIN-EN 1774-ZnAl4Cu1
 CAM: Steel
 SEAL: Polyurethane

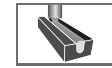


MATERIAL	M	FINISH	F
Zamak	1	Chrome plated	1
		Black coated	2

Group Code	Version	Body	Handle
205	1	2 0	1 F



205 SWINGHANDLE



MATERIAL
 BODY: Polyamide DIN-EN ISO 1043-1 PA6 GFR 30
 HANDLE: Zamak DIN-EN 1774-ZnAl4Cu1
 CAM: Steel
 SEAL: Polyurethane

MATERIAL	M	FINISH	F
Zamak	1	Chrome plated	1
		Black coated	2

Group Code	Version	Body	Handle
205	2	2 0	1 F



54



56-57



58



59-60



61



62



63



64-65



66-67



68-69



70



71



72-73



74



75



76



77



78



79



80



81



82



83



84-85



86



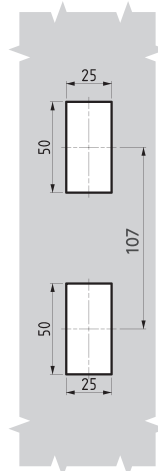
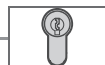
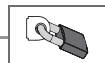
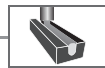
ROD-LATCH SYSTEM

52-87

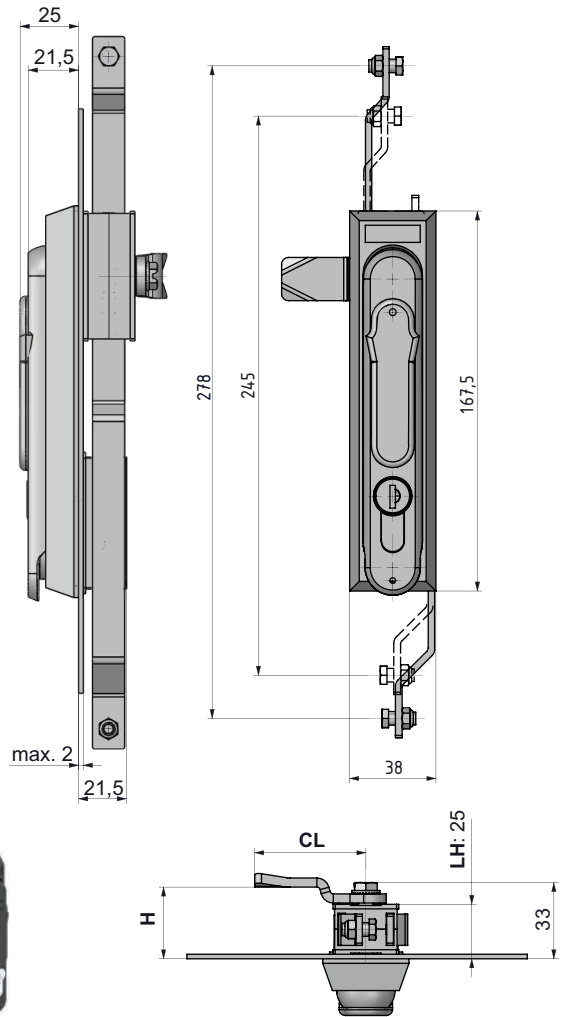
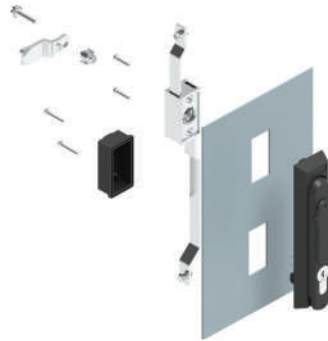
ROD-LATCH SYSTEM

SWINGHANDLE GEAR BOX

002



Cut Out



- Swinghandle for steel and polyester cabinets
- 40 mm Euro Profile single cylinder fitted
- Padlockable version available
- For 42 mm Euro Profile single cylinder contact Essentra

MATERIAL

BODY Polyamide DIN-EN ISO

1043-1 PA6 GFR 30

HANDLE Polyamide DIN-EN ISO

1043-1 PA6 GFR 30

MECHANISM: Zamak DIN-EN

1774-ZnAl4Cu1

CAM: Steel

GASKET: Polyurethane

CYLINDER TYPE		DD
	Keyed alike (Stainless steel dust cap)	03
	Keyed differ (Stainless steel dust cap)	32
	Master system	04
	Euro key (5333)	05
	CH751 (Stainless steel dust cap)	07
DRIVER TYPE		DD
	5 mm Double bit	15
	8 mm Square	28
	9 mm Triangular	39
	Eastern	91
HIGH-SECURITY CYLINDER (Zamak)		DD
	Keyed alike	22
	Keyed differ	23
NO CYLINDER		DD
	Plastic blind cylinder	24

For cams please check pages: 170 - 171

For rods please check pages: 178 - 188

For keys please check pages: 189 - 191

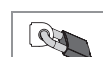
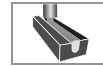
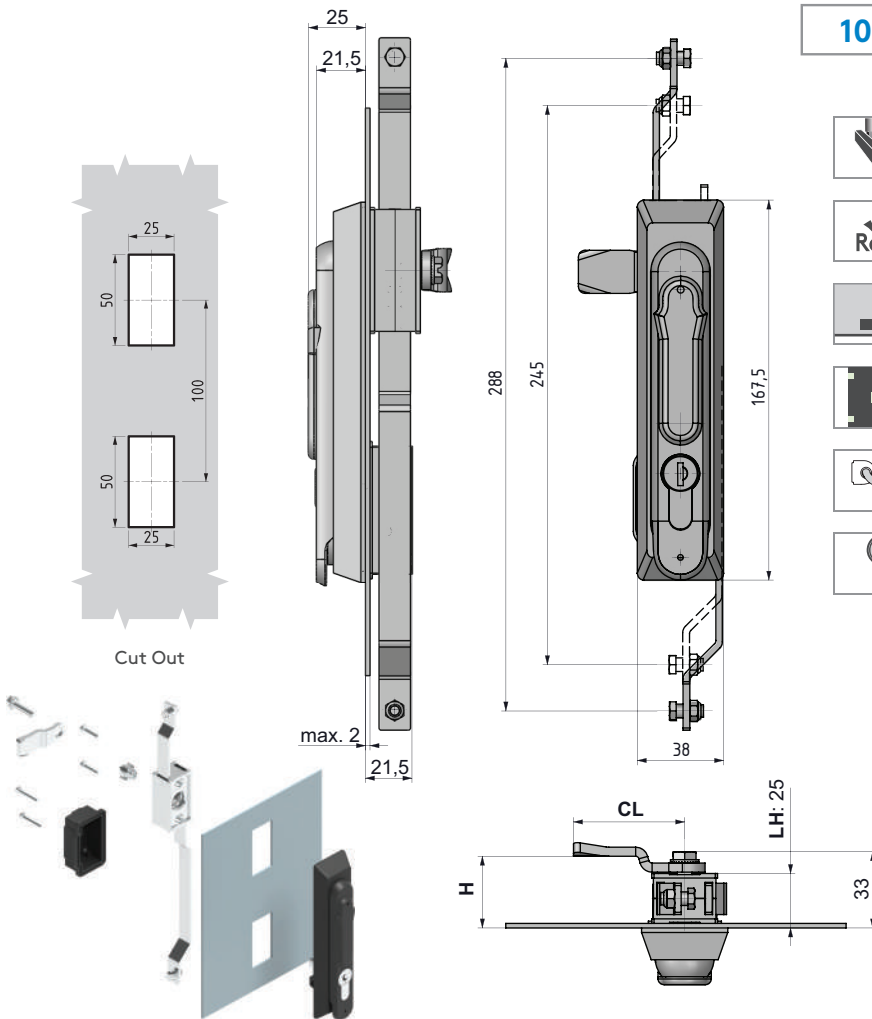
Group Code	Driver Cylinder	Cam	Padlock*
002	DD	CC	

*: add "1" for padlock application



102

SWINGHANDLE GEAR BOX



- Swinghandle for steel and polyester cabinets
- 40 mm Euro Profile single cylinder fitted
- For 42 mm Euro Profile single cylinder contact Essentra
- Padlockable version available

MATERIAL

BODY	Polyamide DIN-EN ISO 1043-1 PA6 GFR 30
HANDLE:	Polyamide DIN-EN ISO 1043-1 PA6 GFR 30
MECHANISM:	Zamak DIN-EN 1774-ZnAl4Cu1
CAM:	Steel
GASKET:	Polyurethane

CYLINDER TYPE		DD
	Keyed alike (Stainless steel dust cap)	03
	Keyed differ (Stainless steel dust cap)	32
	Master system	04
	Euro key (5333)	05
	CH751 (Stainless steel dust cap)	07
DRIVER TYPE		DD
	5 mm Double bit	15
	8 mm Square	28
	9 mm Triangular	39
	Eastern	91
HIGH-SECURITY CYLINDER (Zamak)		DD
	Keyed alike	22
	Keyed differ	23
NO CYLINDER		DD
	Plastic blind cylinder	24

Group Code	Driver Cylinder	Cam	Padlock*
102	DD	CC	

*: add "1" for padlock application

For cams please check pages: 170 - 171

For rods please check pages: 178 - 188

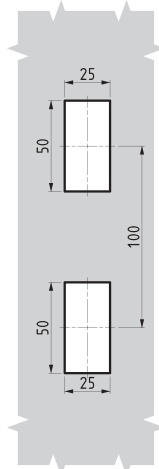
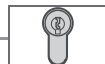
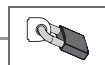
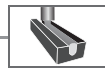
For keys please check pages: 189 - 191

ROD-LATCH SYSTEM

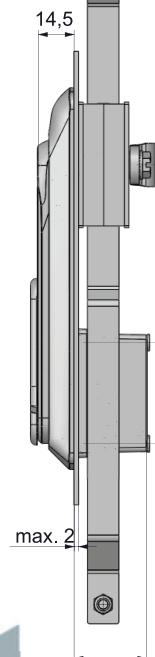
SWINGHANDLE GEAR BOX

502

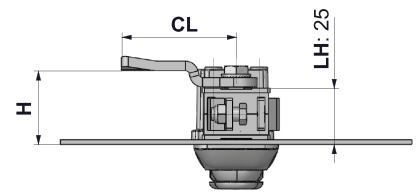
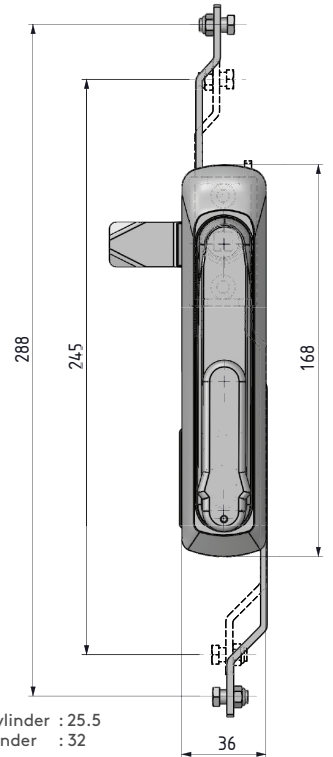
ALL IN METAL



Cut Out



Zamak Cylinder : 25.5
Brass Cylinder : 32



- Stainless steel version: page 446
- Die-cast construction stronger than polyamide
- Thin external profile, 14.4 mm, for flush appearance
- High-security, brass, Euro Profile single-cylinder available
- Dust cap available
- Padlockable version available
- For different colours contact Essentra

MATERIAL

BODY Zamak DIN-EN 1774-ZnAl4Cu1
HANDLE Zamak DIN-EN 1774-ZnAl4Cu1
MECHANISM: Zamak DIN-EN 1774-ZnAl4Cu1
GASKET: Polyurethane



O:1
Dust cap application



O:2
Padlock application



O:12
Dust cap + Padlock application

CYLINDER TYPE		DD
	Keyed alike (Stainless steel dust cap)	03
	Keyed differ (Stainless steel dust cap)	32
	CH751 (Stainless steel dust cap)	07
DRIVER TYPE		DD
	5 mm Double bit	15
	8 mm Square	28
	9 mm Triangular	39
	Eastern	91
BRASS CYLINDER		DD
	Keyed alike	11
HIGH-SECURITY CYLINDER (Zamak)		DD
	Keyed alike	22
	Keyed differ	23

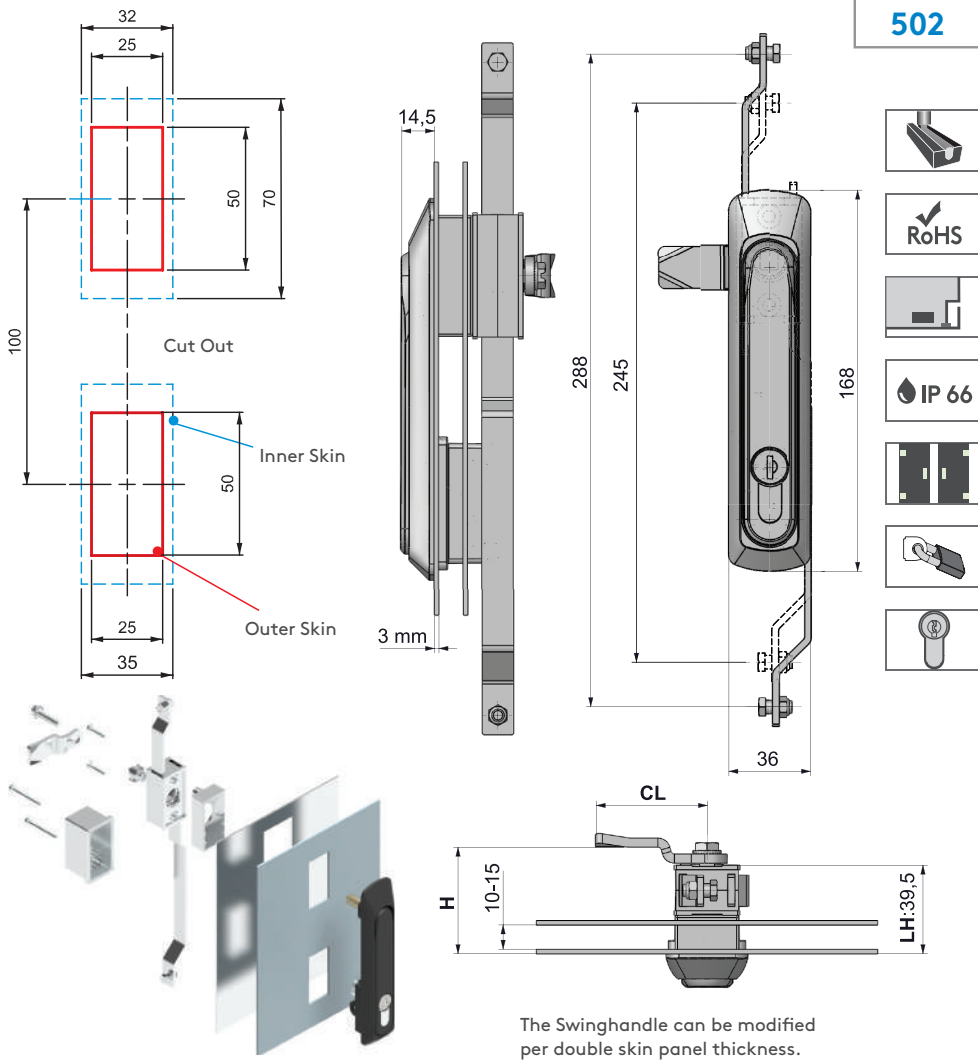
MATERIAL	M	FINISH	F
Zamak	1	Chrome plated	1
		Black coated	2

Group Code	Handle	Body	Cylinder	Cam	Option
502	1	F	1	F	DD CC O

For cams please check pages: 170 - 171

For rods please check pages: 178 - 188

For keys please check pages: 189 - 191



The Swinghandle can be modified per double skin panel thickness.

502

SWINGHANDLE GEAR BOX

ALL IN METAL



- **Stainless steel version: page 457**
- High-security swing handle for indoor and outdoor cabinets
- Ideal for double-skin door panels and outdoor cabinets
- Spring loaded ,slam-action swing handle
- Dust cap and padlockable versions optional



O:1
Dust cap application



O:2
Padlock application



O:12
Dust cap + Padlock application

ZAMAK BAREL		DD
	Keyed alike (Stainless steel dust cap)	03
	Keyed differ (Stainless steel dust cap)	32
	CH751 (Stainless steel dust cap)	07
BRASS CYLINDER		DD
	Keyed alike	11
HIGH-SECURITY CYLINDER (Zamak)		DD
	Keyed alike	22
	Keyed differ	23

MATERIAL	M	FINISH	F
Zamak	1	Chrome plated	1
		Black coated	2

Group Code	Version	Handle	Body	Cylinder	Cam	Option
502	3	1	F	1	F	DD
					CC	O

MATERIAL

BODY	Zamak DIN-EN 1774-ZnAl4Cu1
HANDLE	Zamak DIN-EN 1774-ZnAl4Cu1
MECHANISM:	Zamak DIN-EN 1774-ZnAl4Cu1
GASKET:	Polyurethane

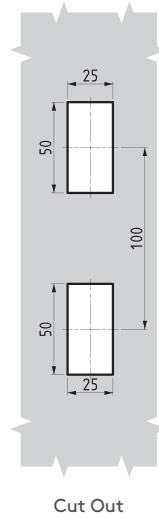
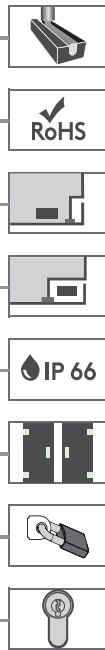
- For cams please check pages: 170 - 171
- For rods please check pages: 178 - 188
- For keys please check pages: 189 - 191

ROD-LATCH SYSTEM

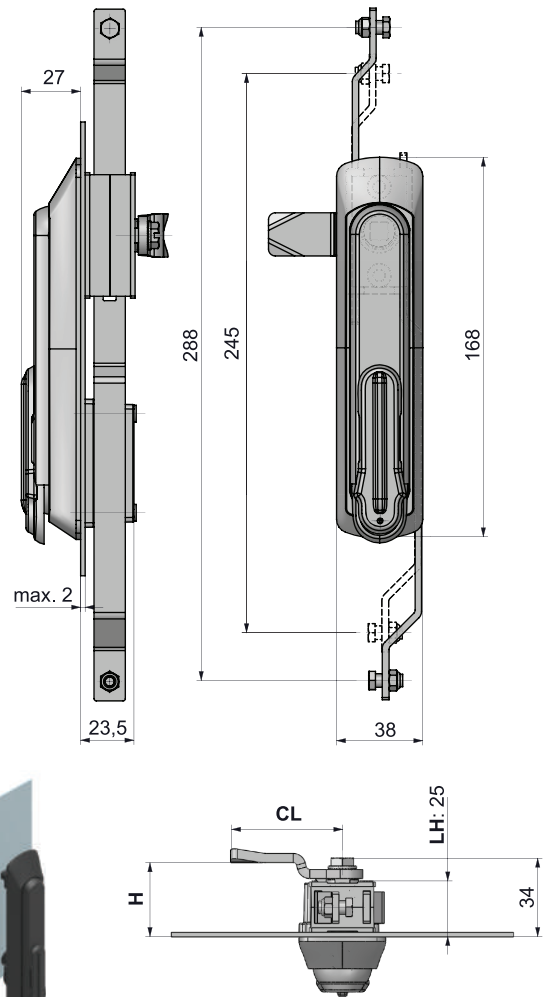
SWINGHANDLE GEAR BOX

602

ALL IN METAL



Cut Out



- All metal construction
- Swinghandle for steel and polyester cabinets
- 40 mm Euro Profile single cylinder fitted
- Improved corrosion resistance
- High-security, brass, Euro Profile single-cylinder available

MATERIAL

BODY: Zamak DIN-EN 1774-ZnAl4Cu1
HANDLE: Zamak DIN-EN 1774-ZnAl4Cu1
COVER: Zamak DIN-EN 1774-ZnAl4Cu1
MECHANISM: Zamak DIN-EN 1774-ZnAl4Cu1
GASKET: Polyurethane

CYLINDER TYPE		DD
	Keyed alike (Stainless steel dust cap)	03
	Keyed differ (Stainless steel dust cap)	32
	Master system	04
	Euro key (5333)	05
	CH751 (Stainless steel dust cap)	07
	DRIVER TYPE	
	5 mm Double bit	15
	8 mm Square	28
	9 mm Triangular	39
	Eastern	91
	HIGH-SECURITY CYLINDER (Zamak)	
	Keyed alike	22
	Keyed differ	23

MATERIAL	M	FINISH	F
Zamak	1	Chrome plated	1
		Black coated	2

Group Code	Handle	Body	Cylinder	Cam	Padlock*
602	1	F	1	F	DD CC

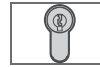
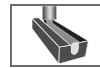
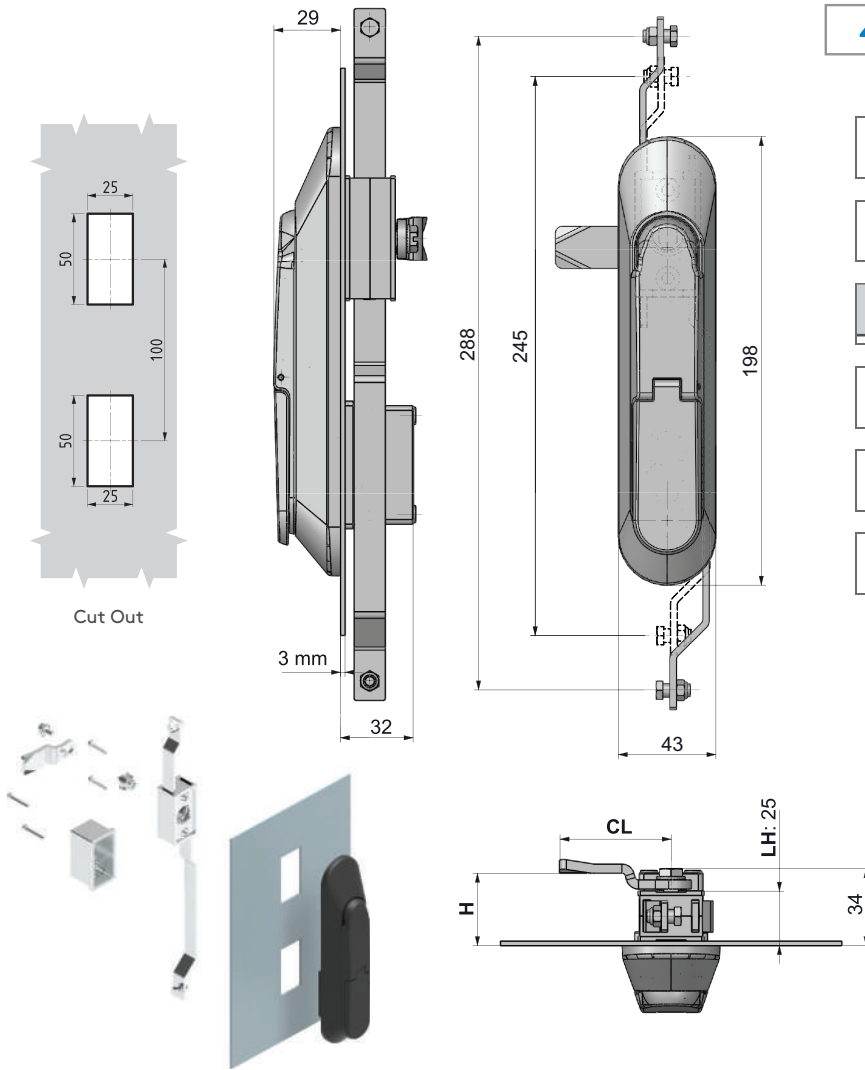
*: add "1" for padlock application

- For cams please check pages: 170 - 171
- For rods please check pages: 178 - 188
- For keys please check pages: 189 - 191



409

SWINGHANDLE GEAR BOX



- All metal construction
- Special geometry protects against vandalism
- **Complies with DIN EN 1627: 2011-09 RC2 test**
- Improved corrosion resistance
- Double o-ring used for handle improves IP rating
- High-security cylinder alternative
- Improved IP rating with moving dust cap

MATERIAL

BODY	Zamak DIN-EN 1774-ZnAl4Cu1
HANDLE:	Zamak DIN-EN 1774-ZnAl4Cu1
MECHANISM:	Zamak DIN-EN 1774-ZnAl4Cu1
GASKET:	Polyurethane
COVER:	Zamak DIN-EN 1774-ZnAl4Cu1
CAM:	Steel

CYLINDER TYPE		DD
	Keyed alike (Stainless steel dust cap)	03
	Keyed differ (Stainless steel dust cap)	32
	Master system	04
	Euro key (5333)	05
	CH751 (Stainless steel dust cap)	07
DRIVER TYPE		DD
	5 mm Double bit	15
	8 mm Square	28
	9 mm Triangular	39
	Eastern	91
HIGH-SECURITY CYLINDER (Zamak)		
	Keyed alike	22
	Keyed differ	23

MATERIAL	M	FINISH	F
Zamak	1	Black coated	2

Group Code	Version	Handle	Body	Cylinder	Cam
409	1	1	2	1	2
				DD	CC

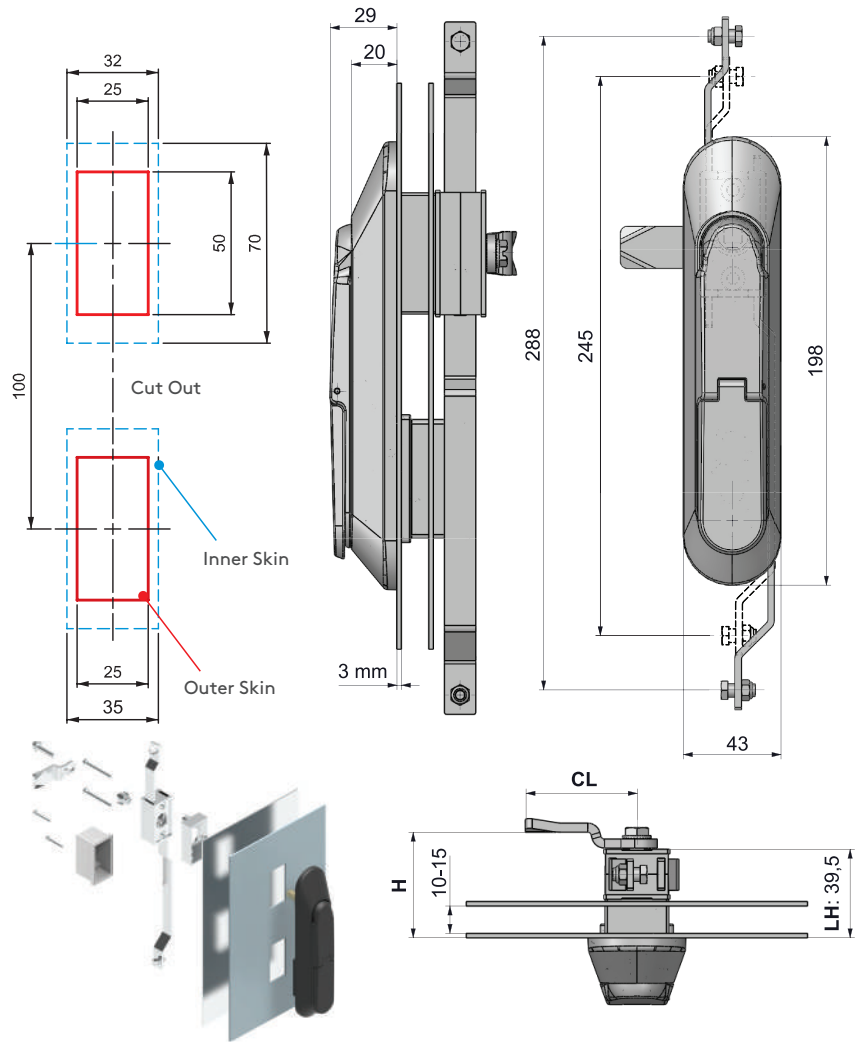
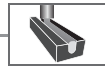
- For cams please check pages: 170 - 171
- For rods please check pages: 178 - 188
- For keys please check pages: 189 - 191

ROD-LATCH SYSTEM

SWINGHANDLE GEAR BOX

409

ALL IN METAL



- All metal construction
- Special geometry protects against vandalism
- Complies with DIN EN 1627: 2011-09 RC2 test
- Double o-ring handle improves IP rating
- High-security cylinder alternative
- Improved IP rating with moving dust cap

MATERIAL

BODY: Zamak DIN-EN 1774-ZnAl4Cu1
HANDLE: Zamak DIN-EN 1774-ZnAl4Cu1
MECHANISM: Zamak DIN-EN 1774-ZnAl4Cu1
GASKET: Polyurethane
COVER: Zamak DIN-EN 1774-ZnAl4Cu1

CYLINDER TYPE		DD
	Keyed alike (Stainless steel dust cap)	03
	Keyed differ (Stainless steel dust cap)	32
	Master system	04
	Euro key (5333)	05
	CH751 (Stainless steel dust cap)	07
DRIVER TYPE		DD
	5 mm Double bit	15
	8 mm Square	28
	9 mm Triangular	39
	Eastern	91
	HIGH-SECURITY CYLINDER (Zamak)	
	Keyed alike	22
	Keyed differ	23

MATERIAL	M	FINISH	F
Zamak	1	Black coated	2

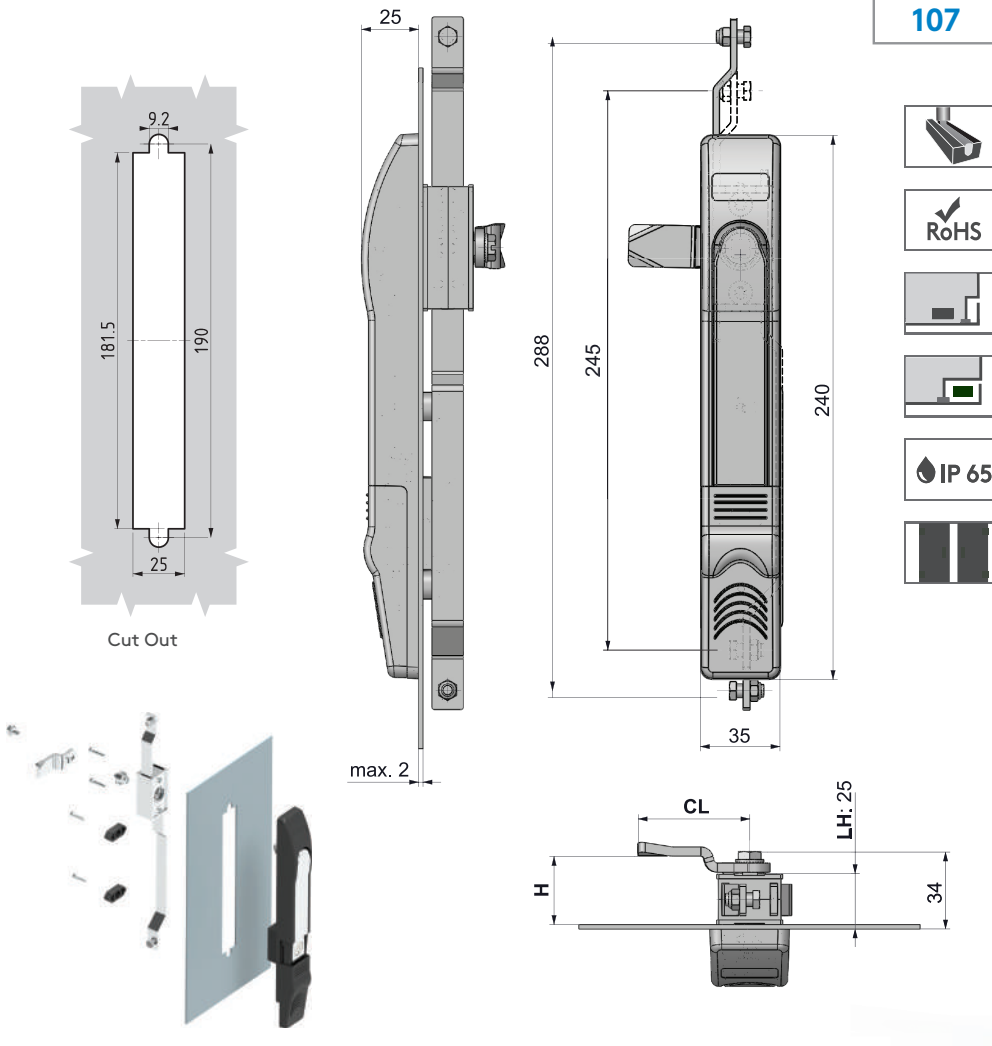
Group Code	Version	Handle	Body	Cylinder	Cam
409	3	1 2	1 2	DD	CC

- For cams please check pages: 170 - 171
- For rods please check pages: 178 - 188
- For keys please check pages: 189 - 191



107

SWINGHANDLE GEAR BOX



- Suitable for indoor applications
- Spring-loaded , slam action swing handle
- Sliding dust cover
- Suited for outside gasketing application

MATERIAL

BODY Polyamide DIN-EN ISO 1043-1 PA6 GFR 30
HANDLE Zamak DIN-EN 1774-ZnAl4Cu1
MECHANISM: Zamak DIN-EN 1774-ZnAl4Cu1
CAM: Steel
GASKET: Polyurethane

CYLINDER TYPE		DD
	Keyed alike (Stainless steel dust cap)	03
	Keyed differ (Stainless steel dust cap)	32
	Euro key (5333)	05
	CH751 (Stainless steel dust cap)	07
DRIVER TYPE		DD
	5 mm Double bit	15
	8 mm Square	28
	9 mm Triangular	39
	Button	55

MATERIAL	M	FINISH	F
Zamak	1	Chrome plated	1
		Black coated	2
Plastic	2	No finish	0

Group Code	Handle	Body	Driver Cylinder	Cam
107	1	F	2	0
			DD	CC

For cams please check pages: 170 - 171

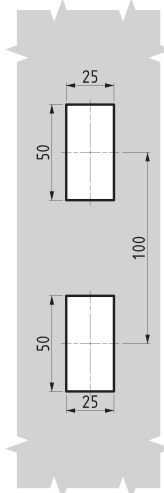
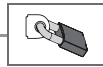
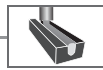
For rods please check pages: 178 - 188

For keys please check pages: 189 - 191

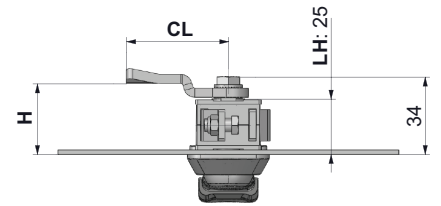
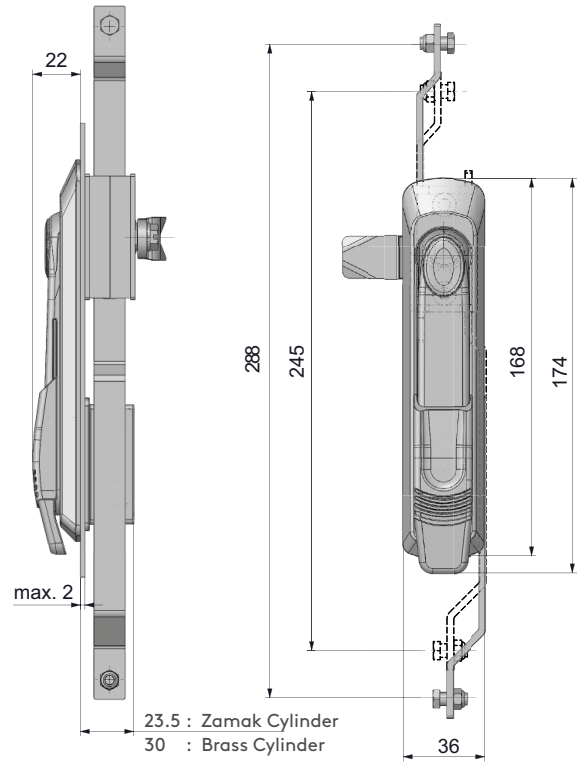
ROD-LATCH SYSTEM

SWINGHANDLE GEAR BOX

207



Cut Out



- Sliding dust cover
- Ergonomic handle
- Padlockable version available
- 40 mm Euro Profile cylinder fitted

MATERIAL

BODY: Polyamide DIN-EN ISO 1043-1 PA6 GFR 30

HANDLE: PA6 GFR 30

MECHANISM: PA6 GFR 30

CAM: Steel

GASKET: Polyurethane

CYLINDER TYPE		DD
	Keyed alike (Stainless steel dust cap)	03
	Keyed differ (Stainless steel dust cap)	32
	Master system	04
	Euro key (5333)	05
	CH751 (Stainless steel dust cap)	07
	DRIVER TYPE	
	5 mm Double bit	15
	8 mm Square	28
	9 mm Triangular	39
	Eastern	91
BRASS CYLINDER		DD
	Keyed alike	11
NO CYLINDER		DD
	Plastic blind cylinder	24

For cams please check pages: 170 - 171

For rods please check pages: 178 - 188

For keys please check pages: 189 - 191

Group Code	Handle	Body	Cylinder	Cam	Padlock*
207	2	0	2	0	DD CC

*: add "1" for padlock application



307

SWINGHANDLE GEAR BOX



- Sliding dust cover
- Ergonomic handle
- Padlockable version available

MATERIAL

BODY Polyamide DIN-EN ISO 1043-1 PA6 GFR 30

HANDLE: PA6 GFR 30 or Zamak

MECHANISM: PA6 GFR 30

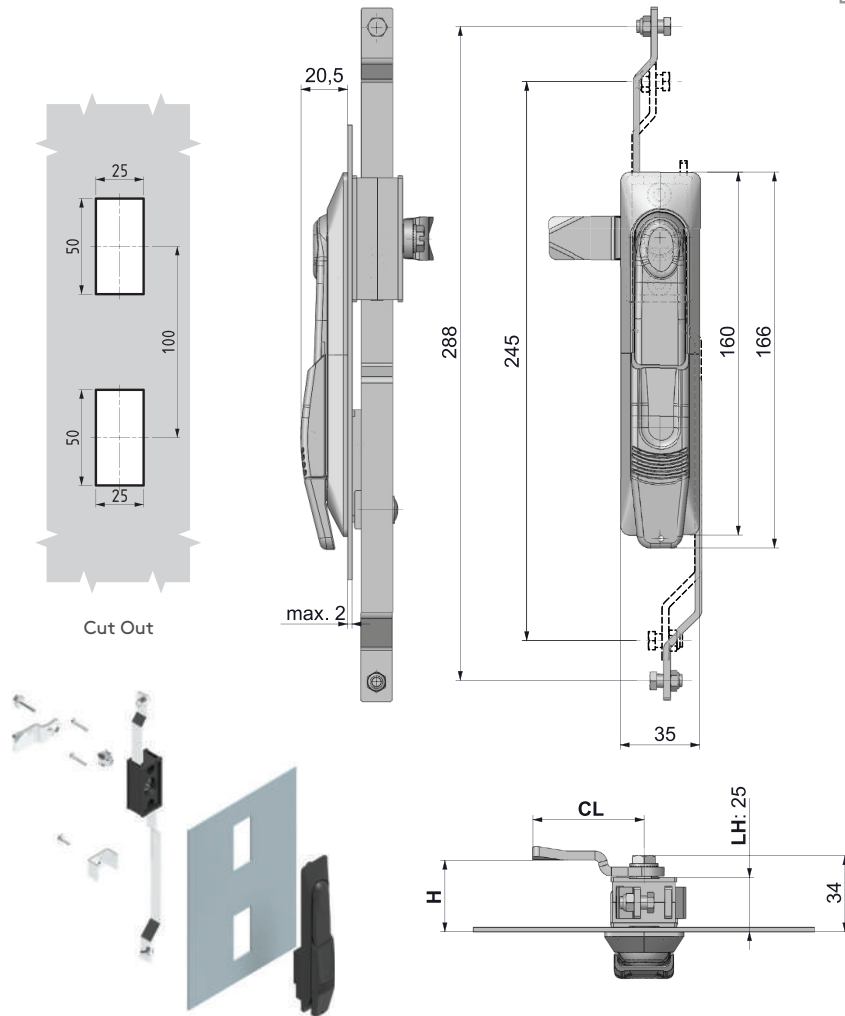
CAM: Steel

GASKET: Polyurethane

For cams please check pages: 170 - 171

For rods please check pages: 178 - 188

For keys please check pages: 189 - 191



CYLINDER TYPE		DD
	Keyed alike (Stainless steel dust cap)	03
	Keyed differ (Stainless steel dust cap)	32
	Euro key (5333)	05
	CH751 (Stainless steel dust cap)	07
DRIVER TYPE		DD
	5 mm Double bit	15
	8 mm Square	28
	9 mm Triangular	39

MATERIAL	M	FINISH	F
Zamak	1	Chrome plated	1
		Black coated	2
Plastic	2	No finish	0

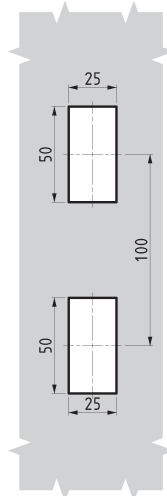
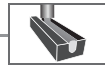
Group Code	Handle	Body	Driver Cylinder	Cam	Padlock*
307	M	F	2	0	DD

*: add "1" for padlock application

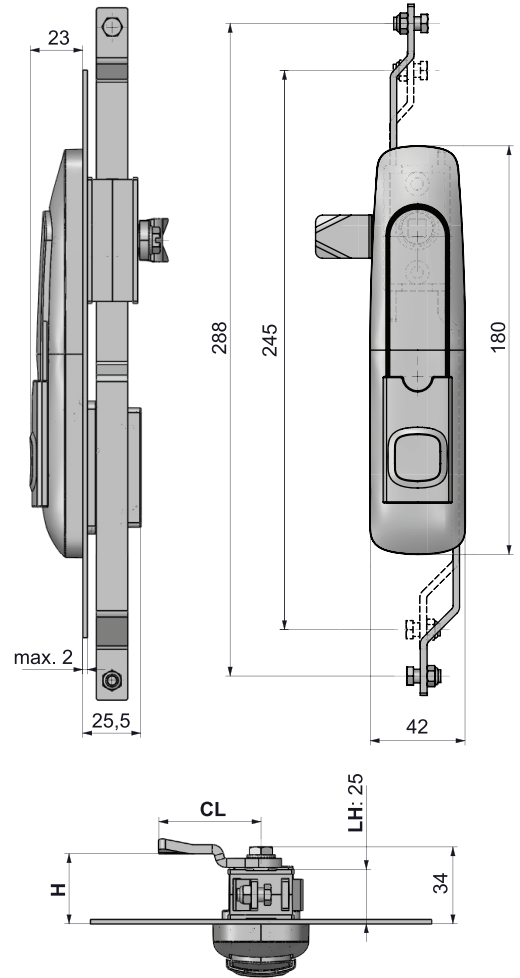
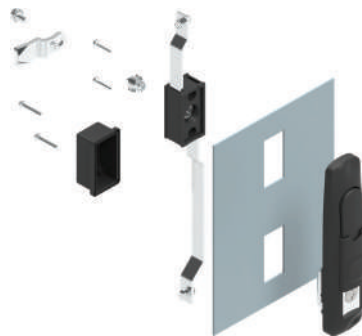
ROD-LATCH SYSTEM

MODULAR SYSTEM SWINGHANDLE

407



Cut Out



- Swing handle has a modular lock structure allows easy modification for customer requests
- Lock and modules could be ordered separately
- Single point locking and gearbox option is possible on same lock by an adaptor
- Padlock is optional
- Easy fixing option by plastic clips

MATERIAL

BODY PA6 GFR 30
HANDLE Zamak DIN-EN 1774-ZnAl4Cu1
MECHANISM: PA6 GFR 30
MODULE Zamak
CAM: Steel

CYLINDER TYPE		DD	Order code
	Stainless steel dust cap (Keyed alike)	03	MDL03
	Stainless steel dust cap (Keyed differ)	32	MDL32
	Euro key (5333)	05	MDL05
	CH751 (Stainless steel dust cap)	07	MDL07
DRIVER TYPE		DD	Order code
	5 mm Double bit	15	MDL15
	8 mm Square	28	MDL28
	9 mm Triangular	39	MDL39
	Button	55	MDL55
BRASS CYLINDER		DD	Order code
	Keyed alike	11	MDL11

MATERIAL	M	FINISH	F
Zamak	1	Chrome plated	1
		Black coated	2
Plastic	2	No finish	0

- For cams please check pages: 170 - 171
- For rods please check pages: 178 - 188
- For keys please check pages: 189 - 191

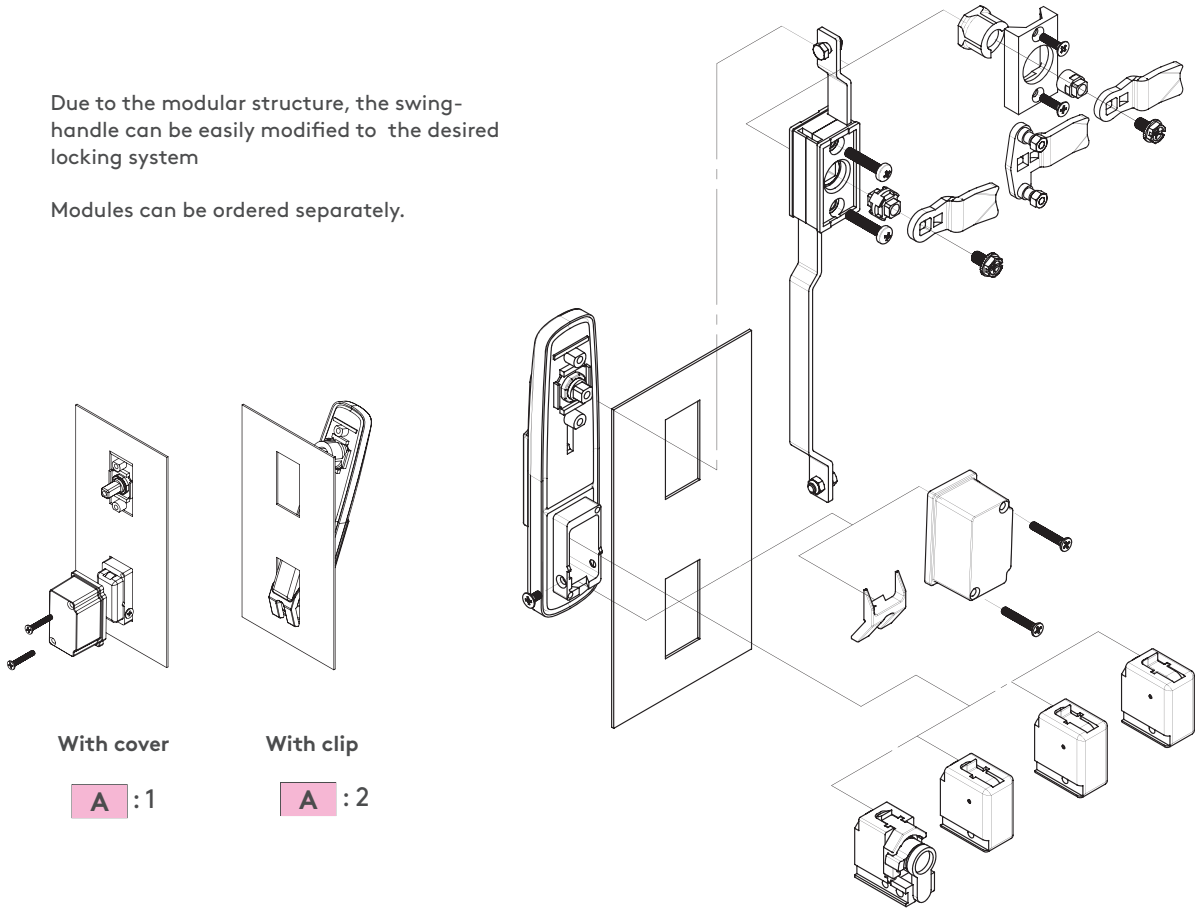
Group Code	Handle	Body	Module	Cam	Assembly	Padlock*
407	1	F	2	0	DD	CC A

*: add "1" for padlock application



Due to the modular structure, the swing-handle can be easily modified to the desired locking system

Modules can be ordered separately.



With cover

A :1

With clip

A :2

The set items can be ordered separately with their codes in below



MLS01

1-SET:

- Body
- Handle
- Dust cap
- Shaft



MLS02

1-SET:

- Plastic Mechanism
- Screws
- Cam Adapter

For multi point locking



MLS03

1-SET:

- Plastic Fixed Part
- Screws
- Cam Adapter

For single point locking



MDLXX

MODULES

- MDLXX

Please check the previous page



MLS05

1-SET:

- Plastic Fixed Part
- Screws

With this set the handle meet IP 65 specs.



320.02.246

1-PCS

- Clip-in part

With this clip-in part mounting time reduces by %50



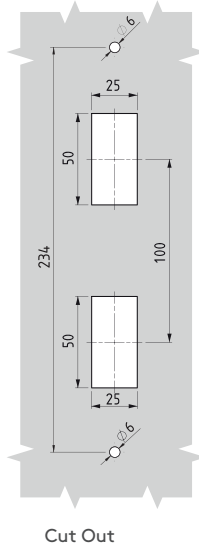
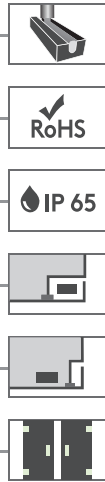
DILLER

Please check the cams page 172 - 173

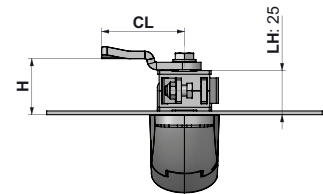
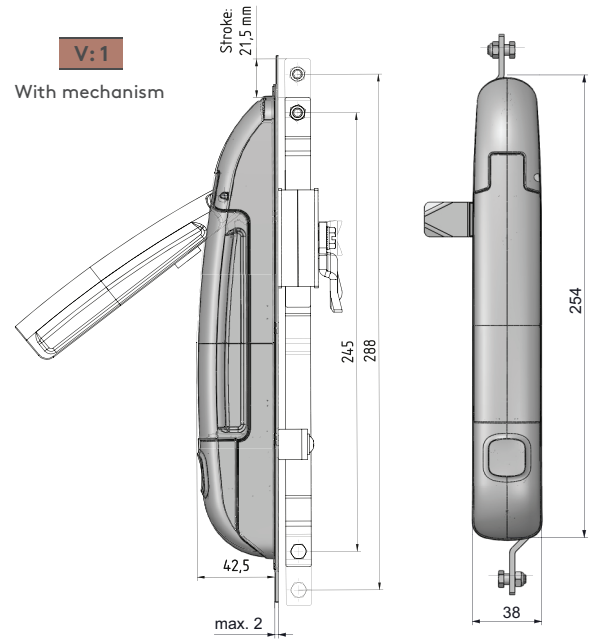
ROD-LATCH SYSTEM

LINEAR HANDLE LOCK

204



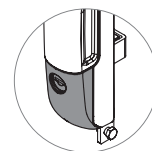
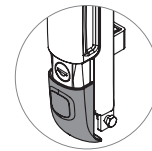
V:1
With mechanism



OPTION

Sliding dust cover 1

Fixed cover 2



- Ergonomic and modern design
- Locking and unlocking by linear movement
- Suitable for inside & outside gasketing applications
- Swing handle has a modular lock structure allows easy modification for customer requests
- Standard or special rods allows locking to both directions

MATERIAL

BODY PA6 GFR 30
HANDLE Zamak DIN-EN 1774-ZnAl4Cu1
MECHANISM: Steel
CAM: Steel
GASKET: Polyurethane

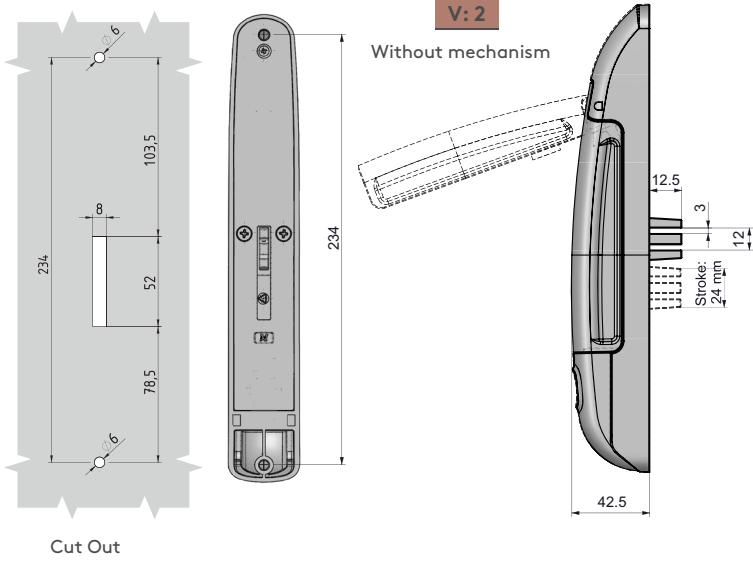
Note: For different colors please contact Essentra

CYLINDER TYPE		DD
	Stainless steel dust cap (Keyed alike)	03
	Stainless steel dust cap (Keyed differ)	32
	Euro key (5333)	05
	CH751 (Stainless steel dust cap)	07
DRIVER TYPE		DD
	5 mm Double bit	15
	8 mm Square	28
	9 mm Triangular	39
	Button	55

MATERIAL	M	FINISH	F
Zamak	1	Chrome plated	1
		Black coated	2

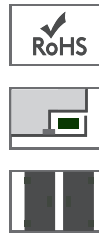
- For cams please check pages: 170 - 171
- For rods please check pages: 178 - 188
- For keys please check pages: 189 - 191

Group Code	Version	Handle	Body	Modul	Cam	Option
204	V	1	F	2	0	DD CC O

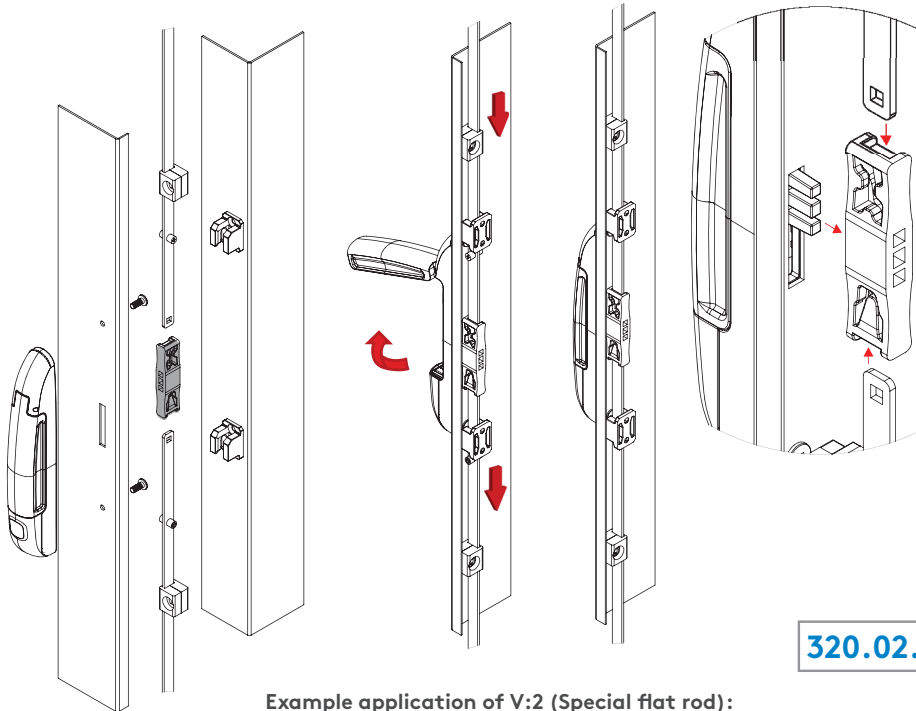


204

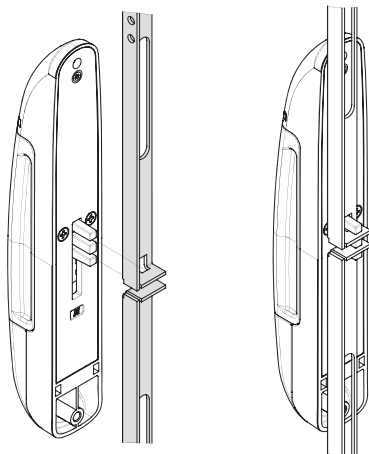
LINEAR HANDLE LOCK



Example application of V:2 (standard flat rod):



Example application of V:2 (Special flat rod):



- Ergonomic and modern design
- Locking and unlocking by linear movement
- Suitable for inside & outside gasketing applications
- Swing handle has a modular lock structure allows easy modification for customer requests
- Standard or special rods allows locking to one direction

MATERIAL

BODY PA6 GFR 30
 HANDLE Zamak DIN-EN 1774-ZnAl4Cu1
 MECHANISM: Steel

320.02.225

FLAT ROD
EASY ASSEMBLY PART



- Allows easy mounting of the flat rods

MATERIAL

PA6 GFR 30

For rods please check pages: 178 - 188

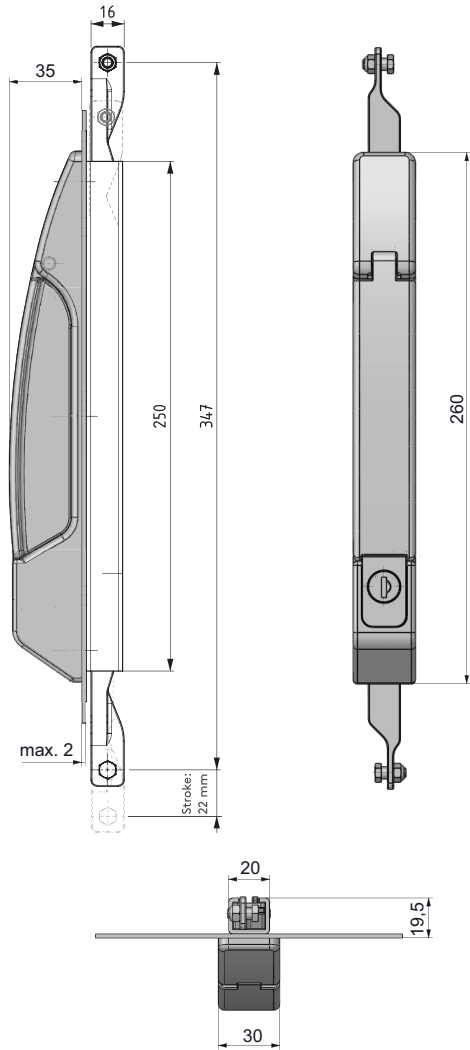
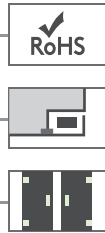
For keys please check pages: 189 - 191

ROD-LATCH SYSTEM

LINEAR HANDLE LOCK



104

ALL IN METAL



- Locking and unlocking by linear movement
- Suitable for out-of-gasket applications

MATERIAL
BODY Zamak DIN-EN 1774-ZnAl4Cu1
HANDLE Zamak DIN-EN 1774-ZnAl4Cu1
MECHANISM: Steel
CAM: Steel
GASKET: Polyurethane

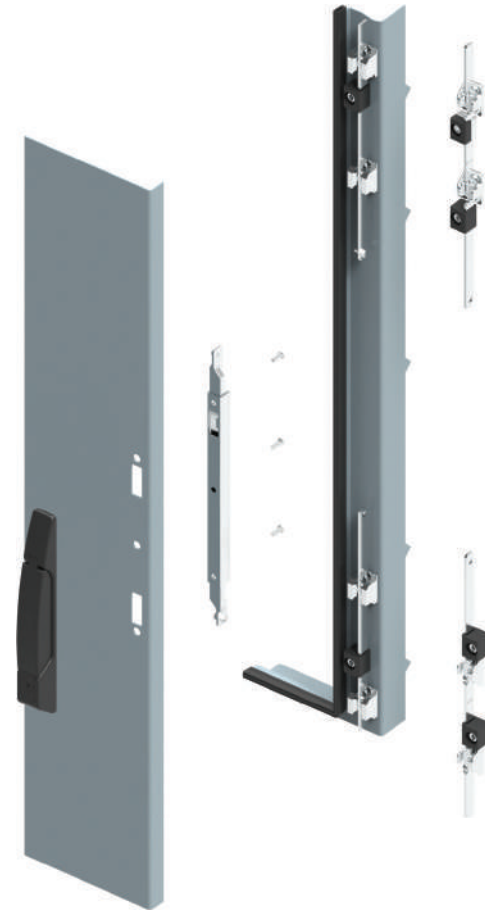
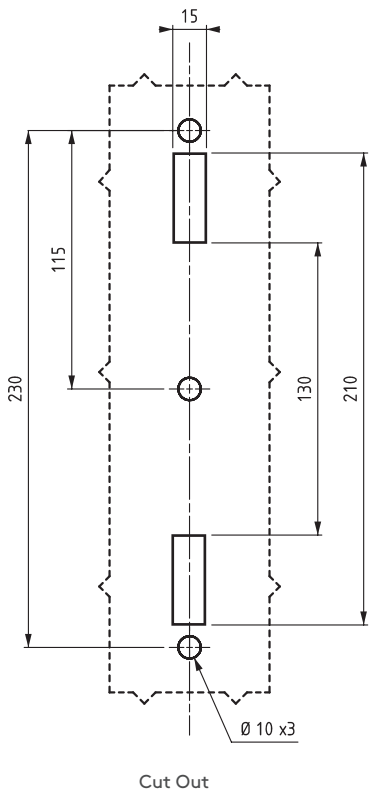
CYLINDER TYPE		DD
	Keyed alike (Stainless steel dust cap)	03
	Keyed differ (Stainless steel dust cap)	32
	Euro key (5333)	05
	CH751 (Stainless steel dust cap)	07
DRIVER TYPE		DD
	5 mm Double bit	15
	8 mm Square	28
	9 mm Triangular	39
	Button	55

MATERIAL	M	FINISH	F
Zamak	1	Chrome plated	1
		Black coated	2

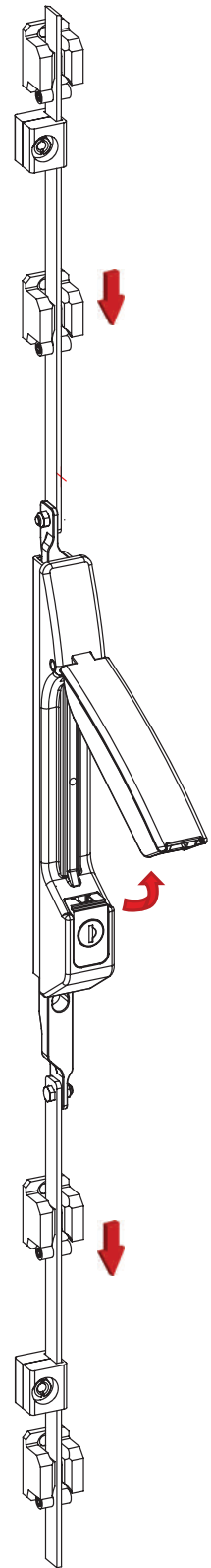
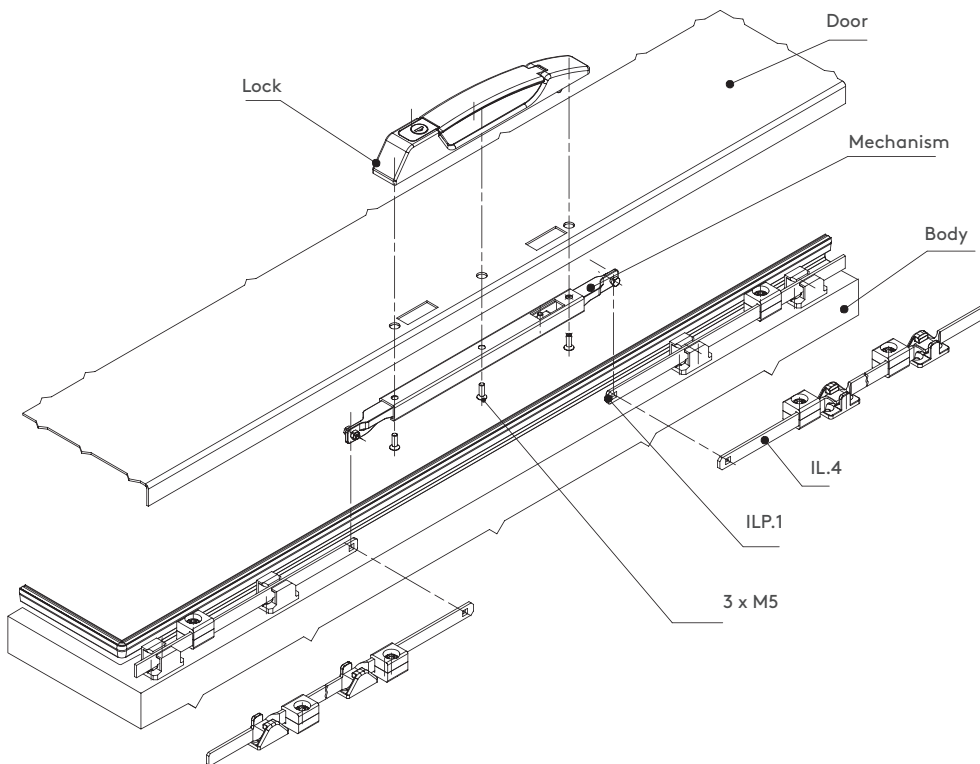
Group Code	Handle	Body	Module
104	1	F	DD

104

LINEAR HANDLE LOCK



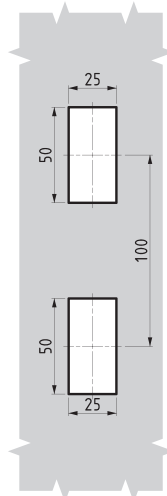
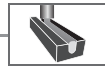
Application



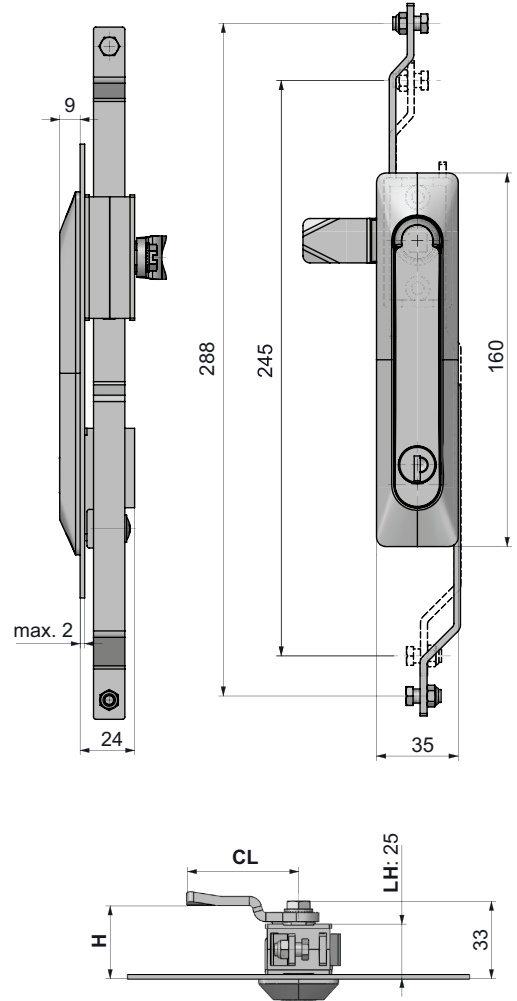
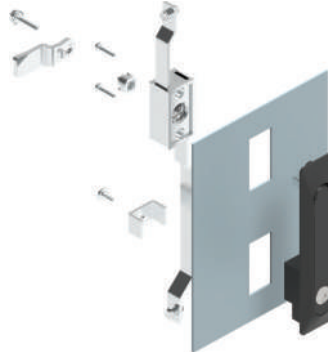
ROD-LATCH SYSTEM

SWINGHANDLE GEAR BOX

109



Cut Out



- Ultra-low external profile, just 9 mm, for flush appearance
- Spring loaded, slam-action swinghandle

MATERIAL

BODY Zamak DIN-EN 774-ZnAl4Cu1 or PA6 GFR 30

HANDLE Zamak DIN-EN 1774-ZnAl4Cu1

MECHANISM: Zamak DIN-EN 1774-ZnAl4Cu1

CAM: Steel

GASKET: Polyurethane

CYLINDER TYPE

DD



Keyed alike (Stainless steel dust cap)

03

Keyed differ (Stainless steel dust cap)

32

Master system

04

Euro key (5333)

05

CH751 (Stainless steel dust cap)

07

DRIVER TYPE

DD



5 mm Double bit

15

8 mm Square

28

9 mm Triangular

39

HIGH-SECURITY CYLINDER

DD



Keyed alike

20

Keyed differ

21

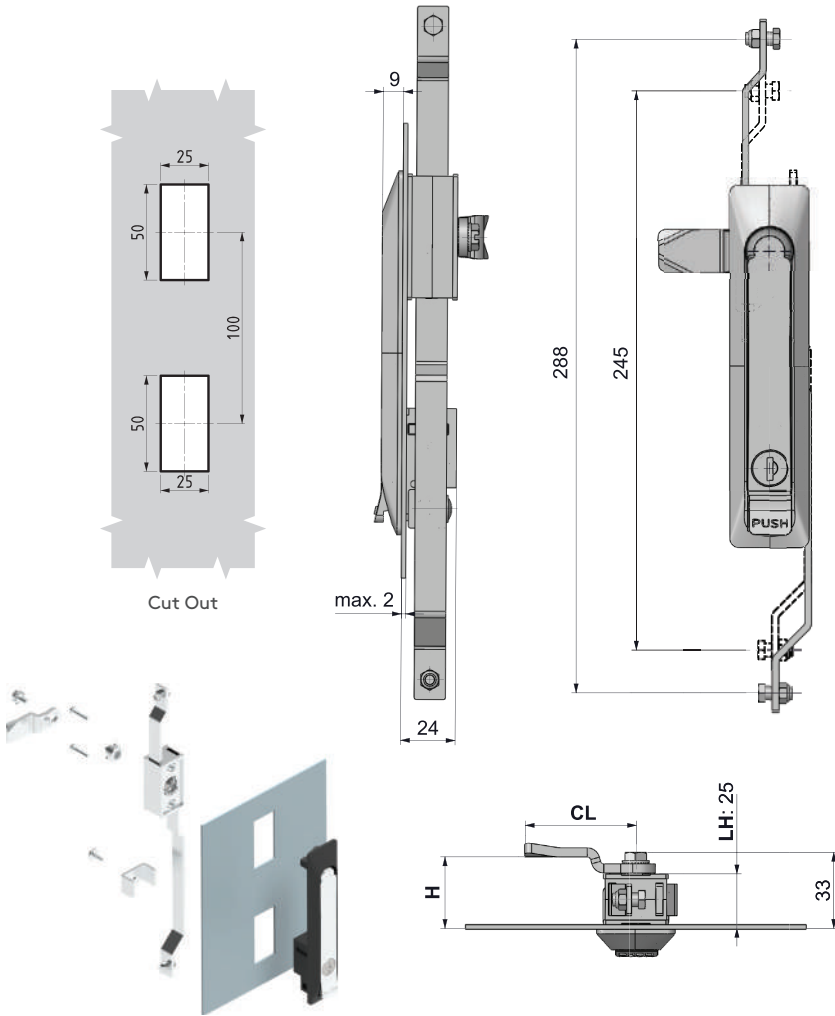
MATERIAL	M	FINISH	F
Zamak	1	Chrome plated	1
		Black coated	2
Plastic	2	No finish	0

For cams please check pages: 170 - 171

For rods please check pages: 178 - 188

For keys please check pages: 189 - 191

Group Code	Handle	Body	Driver Cylinder	Cam
109	1	F	M	F
			DD	CC



909 SWINGHANDLE GEAR BOX

-
-
-
-
-



- Swing handle with push button
- Standard cut out
- Ultra low external profile, just 9 mm, to give flush appearance

MATERIAL
BODY Zamak DIN-EN 774-ZnAl4Cu1 or PA6 GFR 30
MECHANISM: Zamak DIN-EN 1774-ZnAl4Cu1
HANDLE Zamak DIN-EN 1774-ZnAl4Cu1
CAM: Steel
GASKET: Polyurethane

CYLINDER TYPE		DD
	No Cylinder	00
	Keyed alike (Stainless steel dust cap)	03
	Keyed differ (Stainless steel dust cap)	32
	Master sistem	04
	Euro key (5333)	05
	CH751 (Stainless steel dust cap)	07
DRIVER		DD
	5 mm Double bit	15
	8 mm Square	28
	9 mm Triangular	39

MATERIAL	M	FINISH	F
Zamak	1	Chrome plated	1
		Black coated	2
Plastik	2	No finish	0

Group Code	Handle	Body	Driver Cylinder	Cam	Padlock*
909	1	F	M	F	DD CC

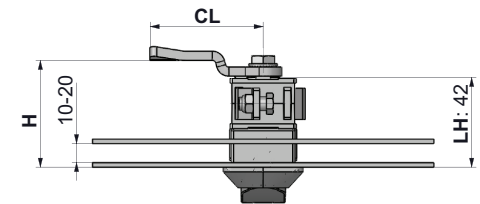
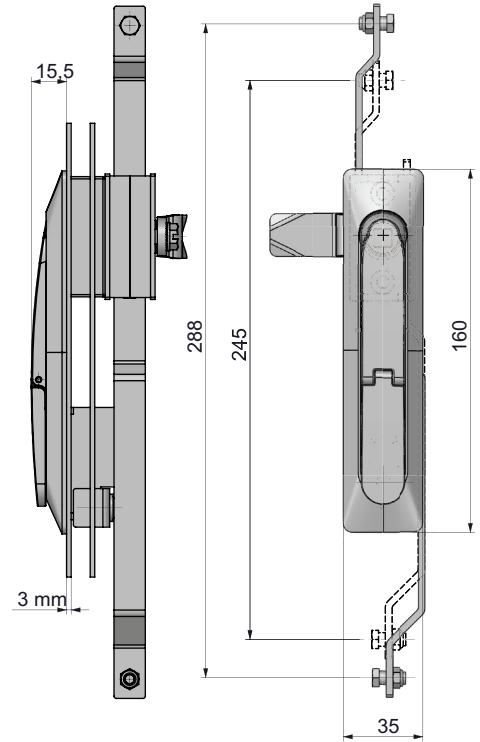
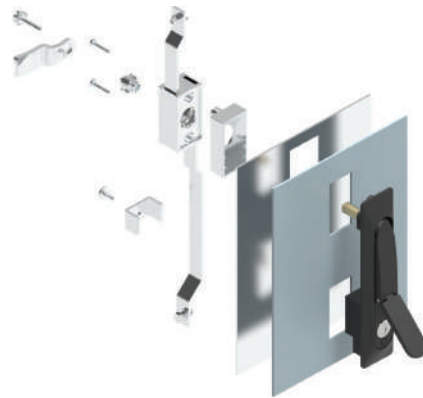
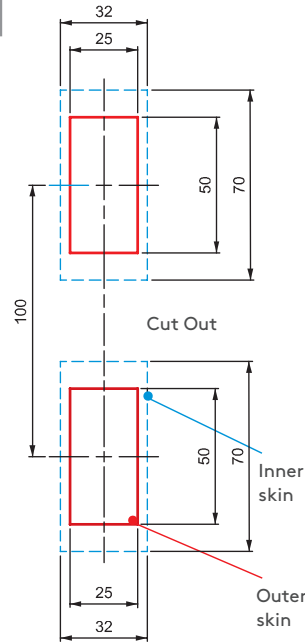
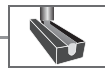
*: add "1" for padlock application

- For cams please check pages: 170 - 171
- For rods please check pages: 178 - 188
- For keys please check pages: 189 - 191

ROD-LATCH SYSTEM

SWINGHANDLE GEAR BOX

109



The swing handle can be modified per double-skin panel thickness.

- Ideal for double-skin doors and outdoor cabinets
- Stronger body to protect against vandalism
- High-security cylinder with specially shaped key prevents unauthorized duplication
- Improved IP resistance with moving dust cap
- Spring-loaded handle, slam action

MATERIAL

BODY: Zamak DIN-EN 1774-ZnAl4Cu1
 HANDLE: Zamak DIN-EN 1774-ZnAl4Cu1
 MECHANISM: Zamak DIN-EN 1774-ZnAl4Cu1
 CAM: Steel
 GASKET: Polyurethane

CYLINDER TYPE		DD
	Keyed alike (Stainless steel dust cap)	03
	Keyed differ (Stainless steel dust cap)	32
	Master system	04
	Euro key (5333)	05
	CH751 (Stainless steel dust cap)	07
DRIVER TYPE		DD
	5 mm Double bit	15
	8 mm Square	28
	9 mm Triangular	39
HIGH-SECURITY CYLINDER		DD
	Keyed alike	20
	Keyed differ	21

MATERIAL	M	FINISH	F
Zamak	1	Chrome plated	1
		Black coated	2

Group Code	Version	Handle	Body	Cylinder	Cam
109	3	1	F	1	F
				DD	CC

For cams please check pages: 170 - 171

For rods please check pages: 178 - 188



109

SWINGHANDLE GEAR BOX

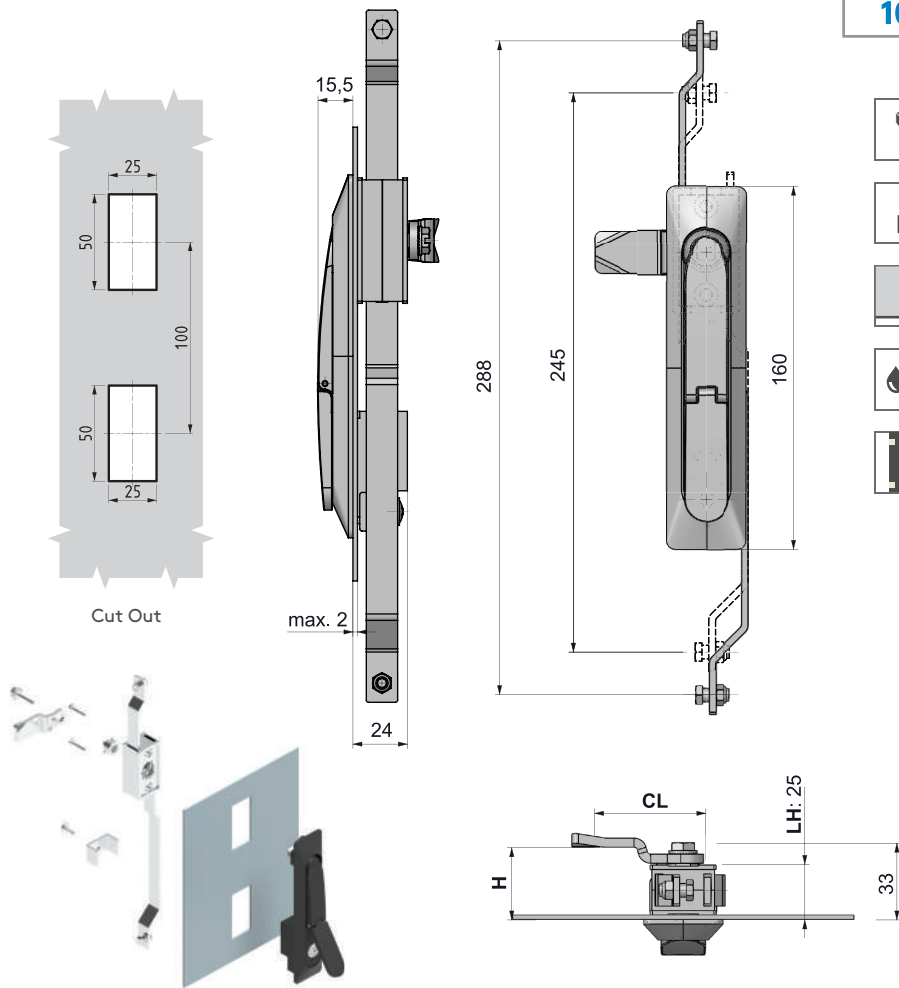


- All metal construction
- Improved corrosion resistance
- High-security cylinder alternative
- Improved IP resistance with moving dust cap

MATERIAL

BODY Zamak DIN-EN 1774-ZnAl4Cu1
HANDLE Zamak DIN-EN 1774-ZnAl4Cu1
MECHANISM: Zamak DIN-EN 1774-ZnAl4Cu1
CAM: Steel
GASKET: Polyurethane

- For cams please check pages: 170 - 171
- For rods please check pages: 178 - 188
- For keys please check pages: 189 - 191



CYLINDER TYPE		DD
	Keyed alike (Stainless steel dust cap)	03
	Keyed differ (Stainless steel dust cap)	32
	Master system	04
	Euro key (5333)	05
	CH751 (Stainless steel dust cap)	07
DRIVER TYPE		DD
	5 mm Double bit	15
	8 mm Square	28
	9 mm Triangular	39
HIGH-SECURITY CYLINDER		DD
	Keyed alike	20
	Keyed differ	21

MATERIAL	M	FINISH	F
Zamak	1	Chrome plated	1
		Black coated	2

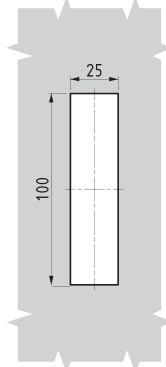
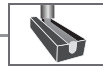
Group Code	Version	Handle	Body	Cylinder	Cam
109	2	1 F	1 F	DD	CC

ROD-LATCH SYSTEM

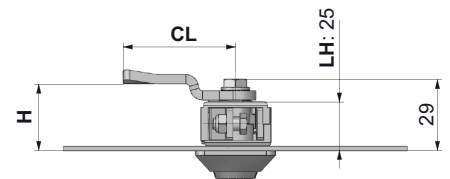
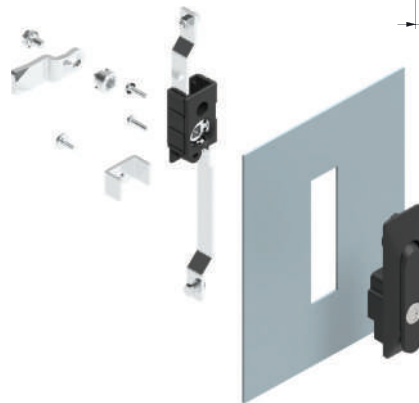
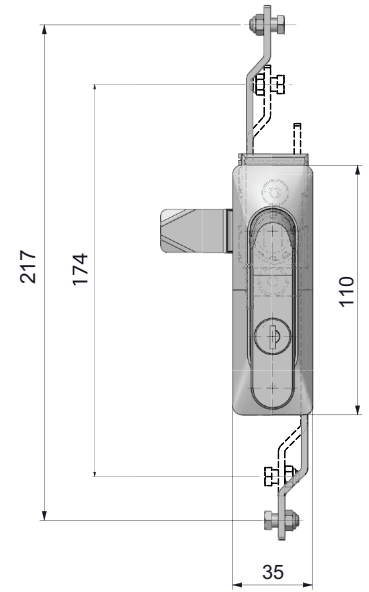
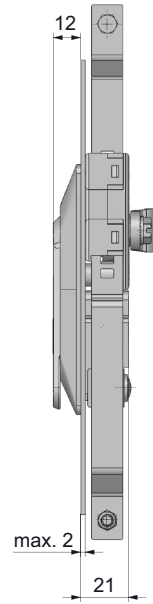
SWINGHANDLE GEAR BOX

309

SMALL VERSION



Cut Out



- Large version: page 75
- Swinghandle can be applied outside gasketing
- Special gear-box is used
- Three-point locking
- 25 mm x 100 mm cut out

MATERIAL

BODY Polyamide DIN-EN ISO 1043-1 PA6 GFR 30

MECHANISM: PA66

HANDLE Zamak DIN-EN 1774-ZnAl4Cu1 or PA6 GFR 30

GASKET: Polyurethane

CYLINDER TYPE

CYLINDER TYPE		DD
	No Cylinder	00
	Keyed alike (Stainless steel dust cap)	03
	Keyed differ (Stainless steel dust cap)	32
	Master system	04
	Euro key (5333)	05
	CH751 (Stainless steel dust cap)	07

MATERIAL	M	FINISH	F
Zamak	1	Chrome plated	1
		Black coated	2
Plastic	2	No finish	0

Group Code	Handle	Body	Driver Cylinder	Cam
309	M	F	2	0
			DD	CC

For cams please check pages: 170 - 171

For rods please check pages: 178 - 188



209

SWINGHANDLE GEAR BOX

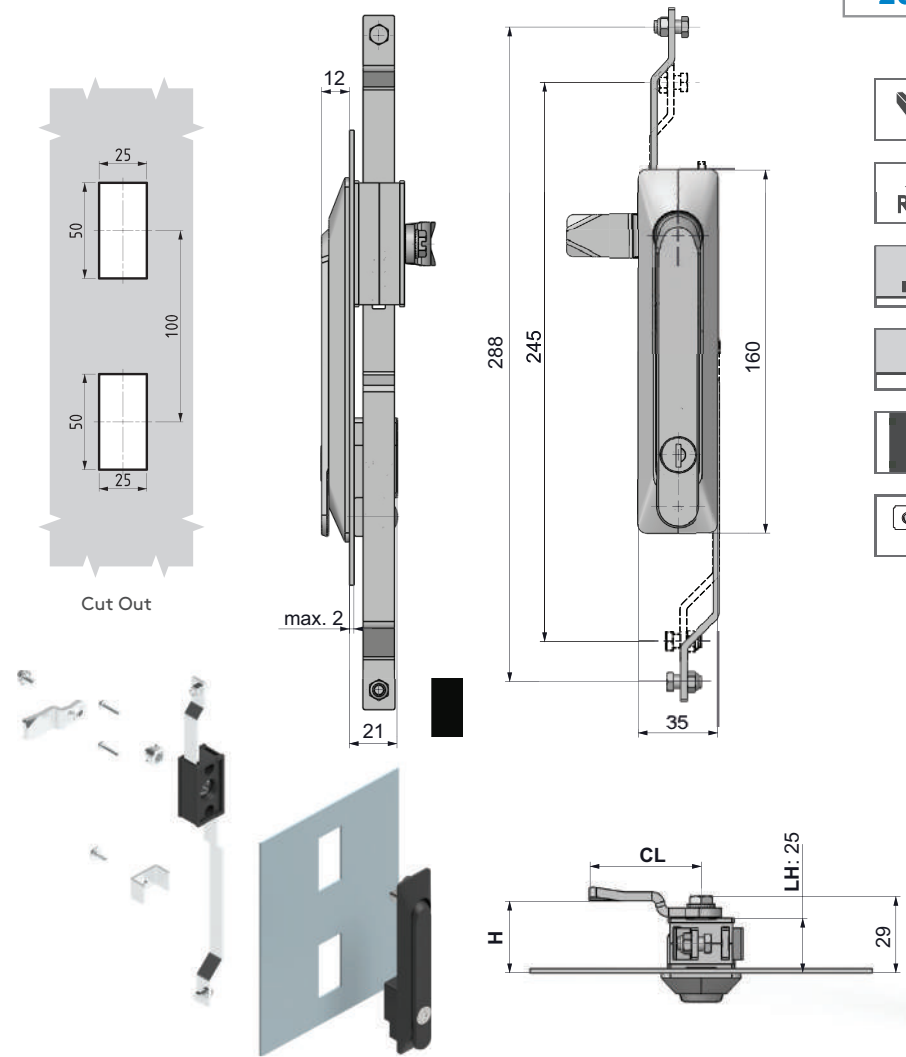


- Handle is not spring loaded and slam action
- Key can be removed at unlocked position.

MATERIAL
BODY: Zamak DIN-EN 1774-ZnAl4Cu1 or PA6 GFR 30
HANDLE: Zamak DIN-EN 1774-ZnAl4Cu1 or PA6 GFR 30
MECHANISM: PA6 GFR 30
CAM: Steel
GASKET: Polyurethane

For cams please check pages: 170 - 171

For rods please check pages: 178 - 188



CYLINDER TYPE		DD
	No Cylinder	00
	Keyed alike (Stainless steel dust cap)	03
	Keyed differ (Stainless steel dust cap)	32
	Master system	04
	Euro key (5333)	05
	CH751 (Stainless steel dust cap)	07
DRIVER TYPE		DD
	5 mm Double bit	15
	8 mm Square	28
	9 mm Triangular	39

MATERIAL	M	FINISH	F
Zamak	1	Chrome plated	1
		Black coated	2
Plastic	2	No finish	0

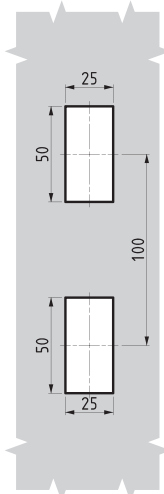
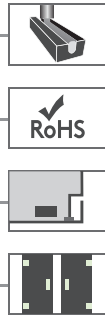
Group Code	Handle	Body	Driver Cylinder	Cam	Padlock*
209	M	F	M	F	DD
					CC

*: add "1" for padlock application
 (All in metal only is applied)

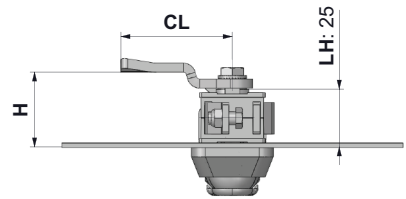
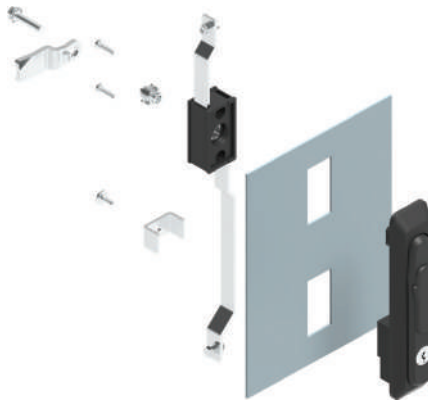
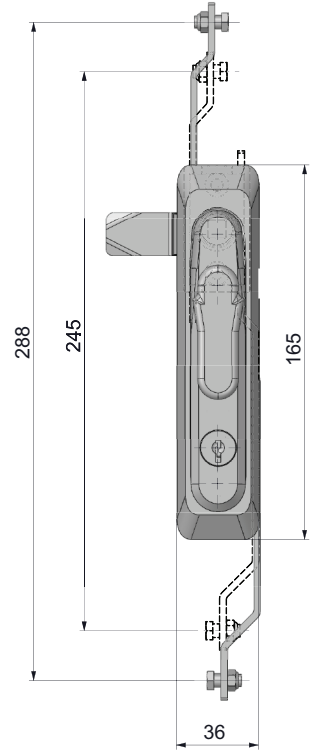
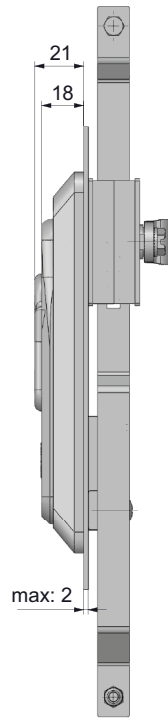
ROD-LATCH SYSTEM

SWINGHANDLE GEAR BOX

007



Cut Out



- Lower strength swing-handle that accepts cylindrical drivers only
- Spring-loaded, slam-action swinghandle
- Can use indoors
- Competitive price with polyamide gearbox

MATERIAL

BODY: Polyamide DIN-EN ISO 1043-1 PA6 GFR 30
HANDLE: PA6 GFR 30
MECHANISM: PA6 GFR 30
CAM: Steel
GASKET: Polyurethane

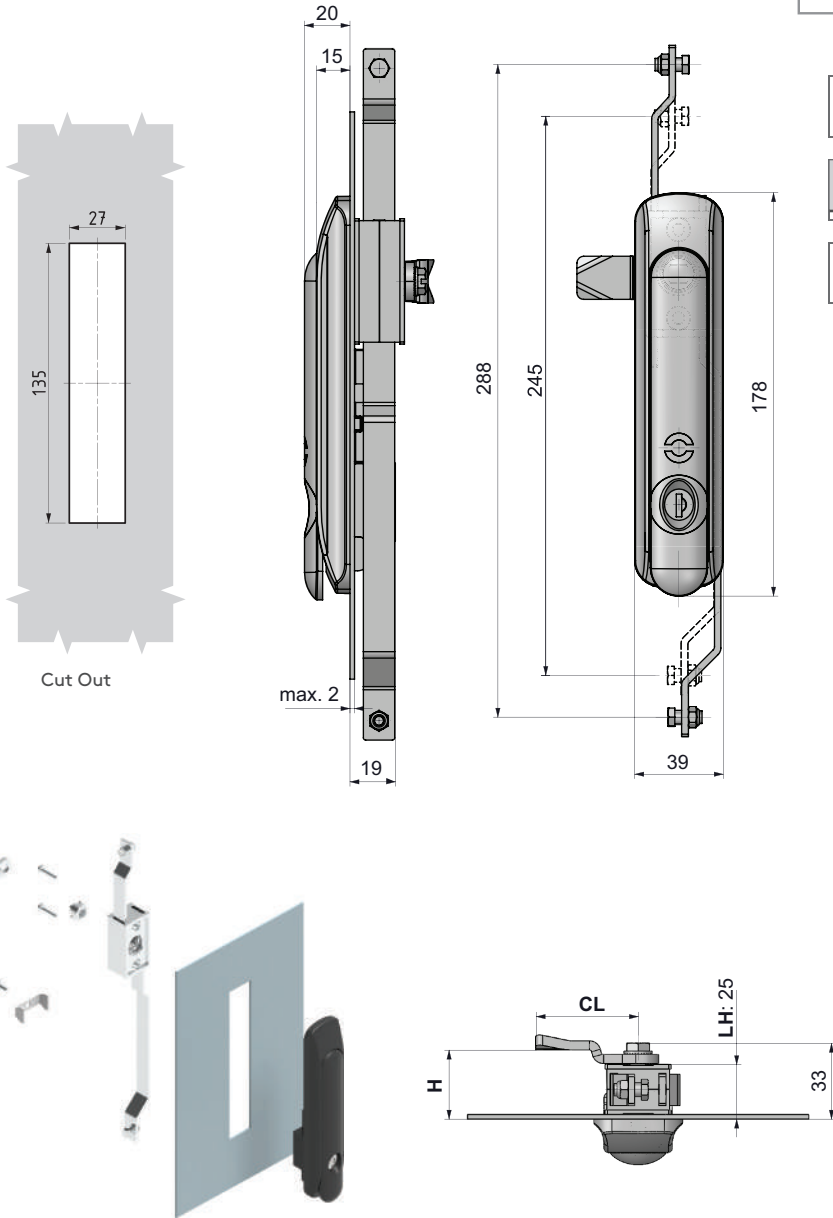
CYLINDER TYPE		DD
	Keyed alike (Stainless steel dust cap)	03
	Keyed differ (Stainless steel dust cap)	32
	Master system	04
	Euro key (5333)	05
	CH751 (Stainless steel dust cap)	07
DRIVER TYPE		DD
	5 mm Double bit	15
	8 mm Square	28
	9 mm Triangular	39

- For cams please check pages: 170 - 171
- For rods please check pages: 178 - 188
- For keys please check pages: 189 - 191

Group Code	Driver Cylinder	Cam
007	DD	CC



809 SWINGHANDLE GEAR BOX



• Offers an economical solution

MATERIAL
 BODY: Polyamide DIN-EN ISO 1043-1 PA6 GFR 30
 MECHANISM: Zamak DIN-EN 1774-ZnAl4Cu1
 HANDLE: Polyamide DIN-EN ISO 1043-1 PA6 GFR 30
 GASKET: Polyurethane

	CYLINDER TYPE			DD
	Keyed alike (Stainless steel dust cap)			03
	Keyed differ (Stainless steel dust cap)			32
	Master system			04
	Euro key (5333)			05
	CH751 (Stainless steel dust cap)			07

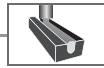
Group Code	Handle	Body	Cylinder	Cam
809	2	0	2	0
			DD	CC

For cams please check pages: 170 - 171
 For rods please check pages: 178 - 188

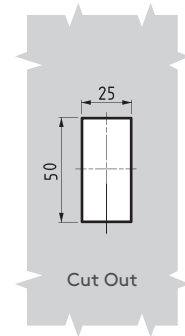
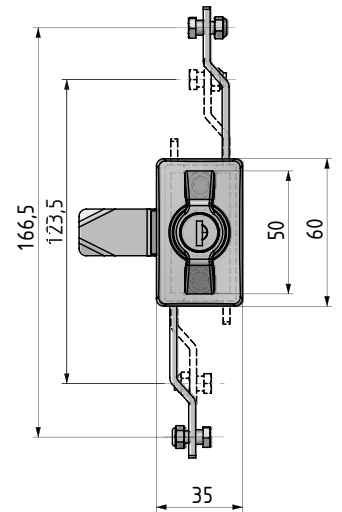
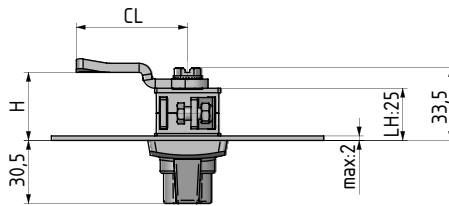
ROD-LATCH SYSTEM

THREE-POINT LOCK - WING KNOB

103



V: 2



- Wing knob, T handle and L handle available
- Optional blind version
- Standard 25 mm x 50 mm cut outw

MATERIAL

BODY: Zamak or PA6 GFR 30
 HANDLE: Zamak or PA6 GFR 30
 MECHANISM: Zamak DIN-EN 1774-ZnAl4Cu1
 CAM: Steel
 GASKET: Polyurethane

No Cylinder '00'



CYLINDER TYPE		DD
	No Cylinder	00
	Keyed alike (Stainless steel dust cap)	03
	Keyed differ (Stainless steel dust cap)	32
	Master system	04
	Euro key (5333)	05
	CH751 (Stainless steel dust cap)	07

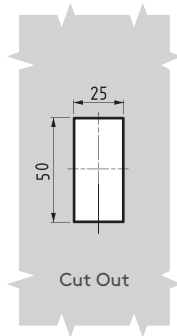
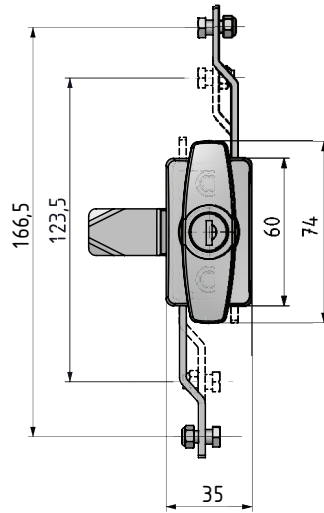
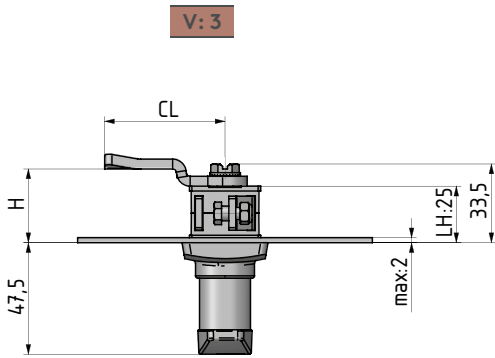
MATERIAL	M	FINISH	F
Zamak	1	Chrome plated	1
		Black coated	2
Plastic	2	No finish	0

DOOR DIRECTION	
Right hand	001
Left hand	002

Group Code	Version	Handle	Body	Cylinder	Cam	Door Direction
103	V	M	F	M	F	DD

For cams please check pages: 170 - 171

For rods please check pages: 178 - 188



103

THREE-POINT LOCK-T HANDLE



103

THREE-POINT LOCK-L HANDLE



For cams please check pages: 170 - 171

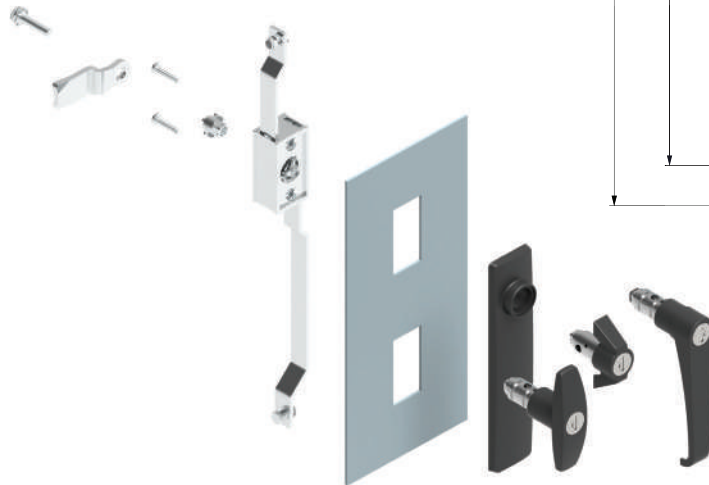
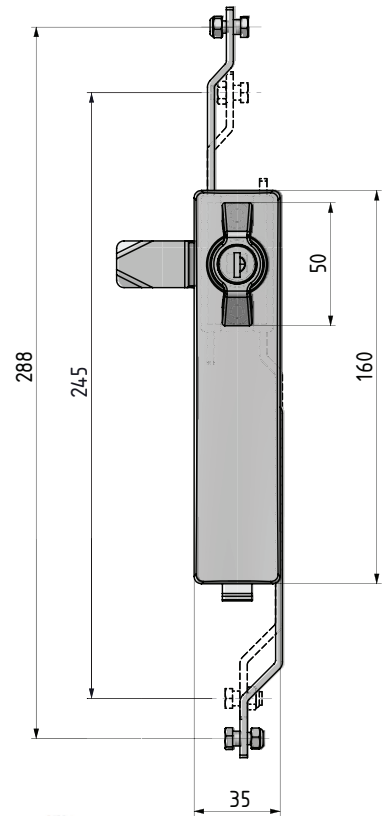
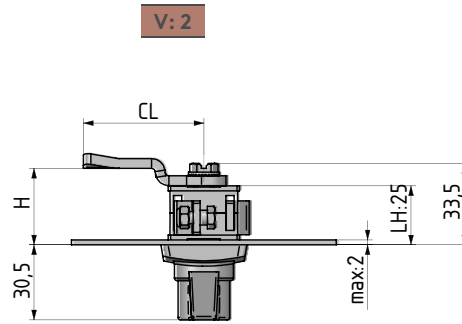


For rods please check pages: 178 - 188

ROD-LATCH SYSTEM

THREE-POINT LOCK-WING KNOB

203



- Clip fixing for easy assembly
- Wing knob, T handle and L handle available with three point locking
- Optional blind version
- For doors with standard swinghandle cut out

MATERIAL

BODY: PA6 GFR 30
 HANDLE: Zamak or PA6 GFR 30
 MECHANISM: Zamak DIN-EN 1774-ZnAl4Cu1
 CAM: Steel
 GASKET: Polyurethane

CYLINDER TYPE



CYLINDER TYPE		DD
	No Cylinder	00
	Keyed alike (Stainless steel dust cap)	03
	Keyed differ (Stainless steel dust cap)	32
	Master system	04
	Euro key (5333)	05
	CH751 (Stainless steel dust cap)	07

No Cylinder '00'



MATERIAL	M	FINISH	F
Zamak	1	Chrome plated	1
		Black coated	2
Plastic	2	No finish	0

DOOR DIRECTION	
Right hand	001
Left hand	002

Group Code	Version	Handle	Body	Cylinder	Cam	Door Direction
203	V	M	F	2	0	DD

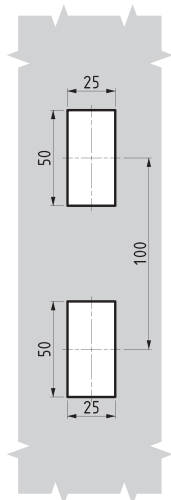
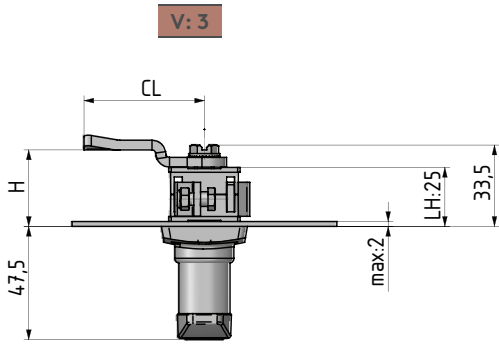
203

THREE-POINT LOCK-T HANDLE

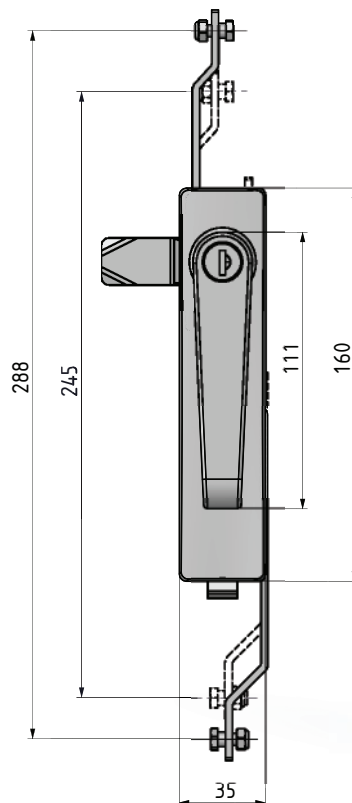
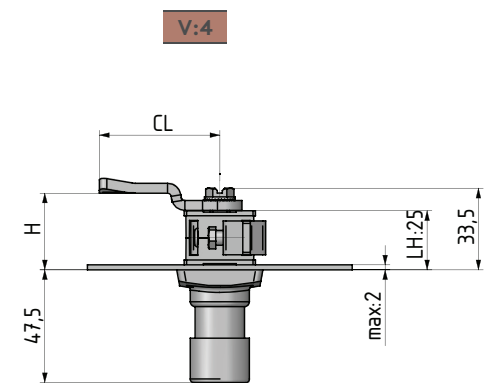
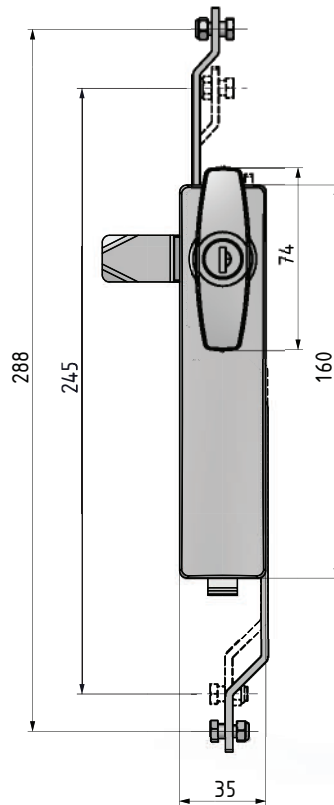


203

THREE POINT LOCK-L HANDLE



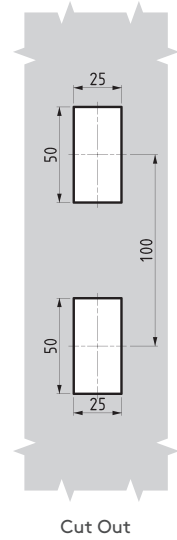
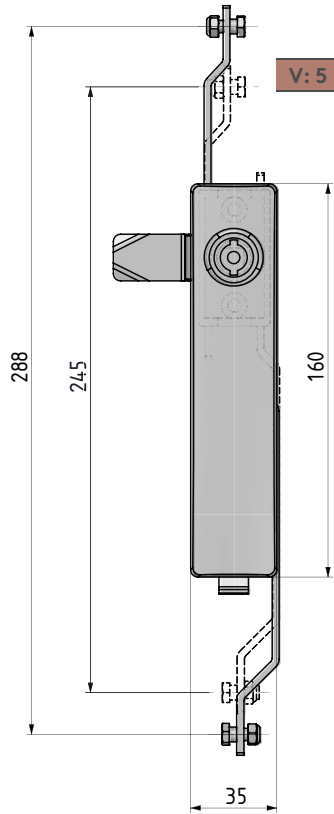
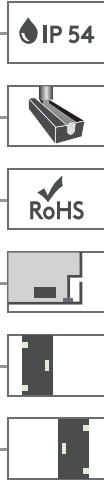
Cut Out



ROD-LATCH SYSTEM

THREE-POINT LOCK

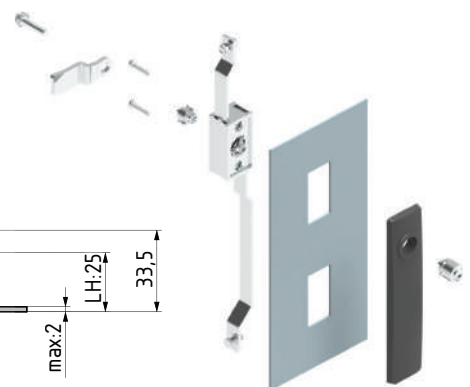
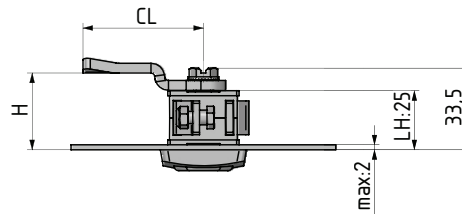
203



- Clip fixing for easy assembly
- Integral gear-box for three-point locking

MATERIAL

BODY: PA6 GFR 30
 MECHANISM: Zamak DIN-EN 1774-ZnAl4Cu1
 CAM: Steel
 GASKET: Polyurethane

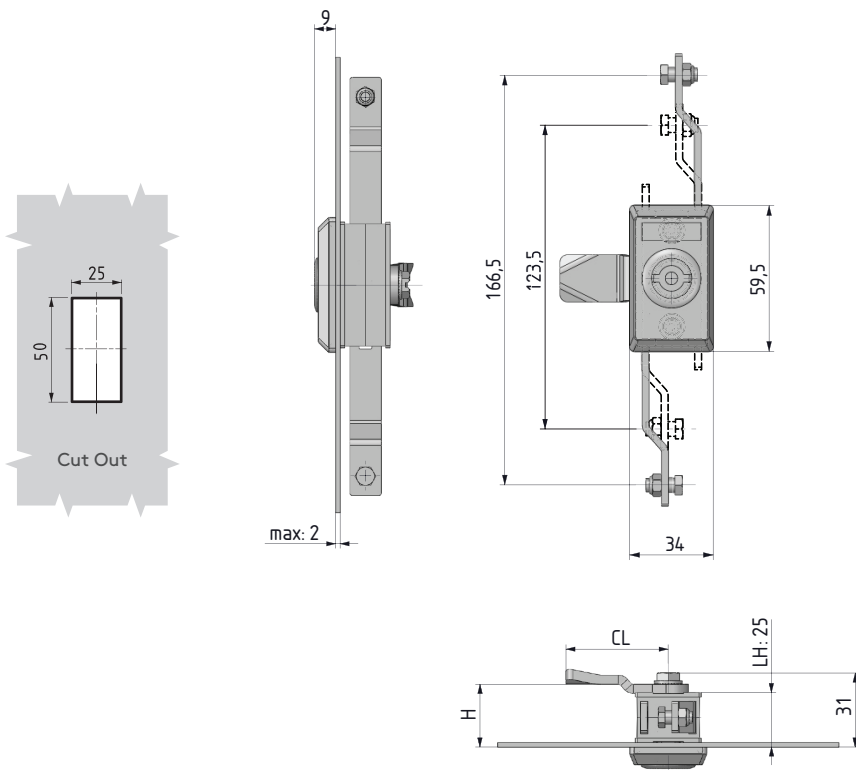


DRIVERS		
5 mm Double bit	8 mm Square	9 mm Triangular
15	28	39

DOOR DIRECTION	
Right hand	001
Left hand	002

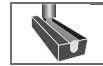
- For cams please check pages: 170 - 171
- For rods please check pages: 178 - 188
- For keys please check pages: 189 - 191

Group Code	Version	Driver	Cam	Door Direction
203	5	DD	CC	



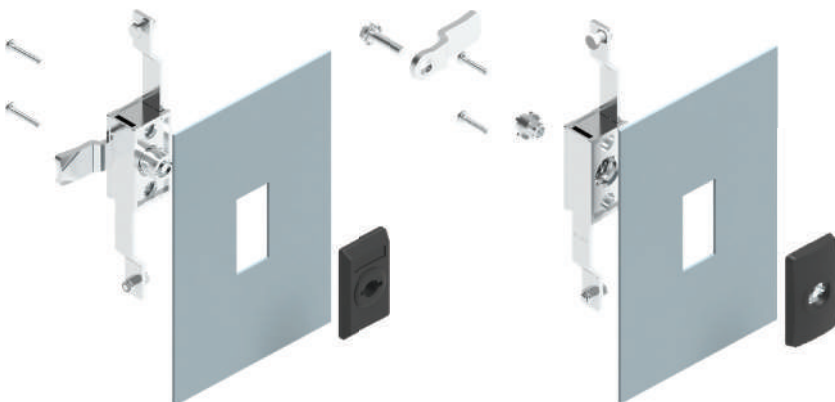
003

THREE-POINT LOCK



103

THREE-POINT LOCK



DRIVERS		
5 mm Double bit	8 mm Square	9 mm Triangular
15	28	39

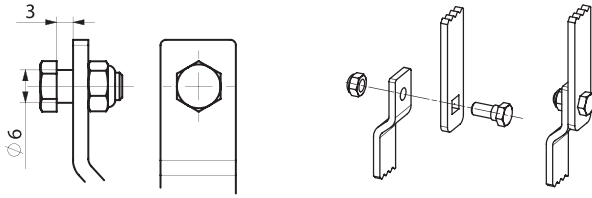
DOOR DIRECTION	
Right hand	001
Left hand	002

Group Code	Driver	Cam	Door Direction
003	DD	CC	

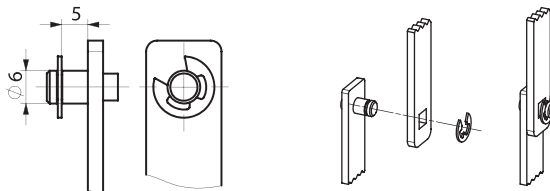
Group Code	Version	Driver	Cam	Door Direction
103	5	DD	CC	

- For cams please check pages: 170 - 171
- For rods please check pages: 178 - 188
- For keys please check pages: 189 - 191

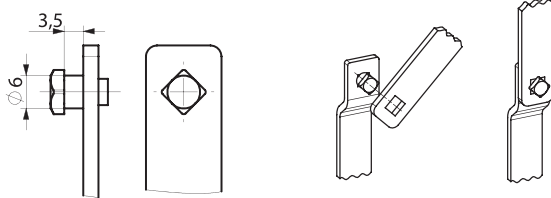
M : 1 Stepped bolt



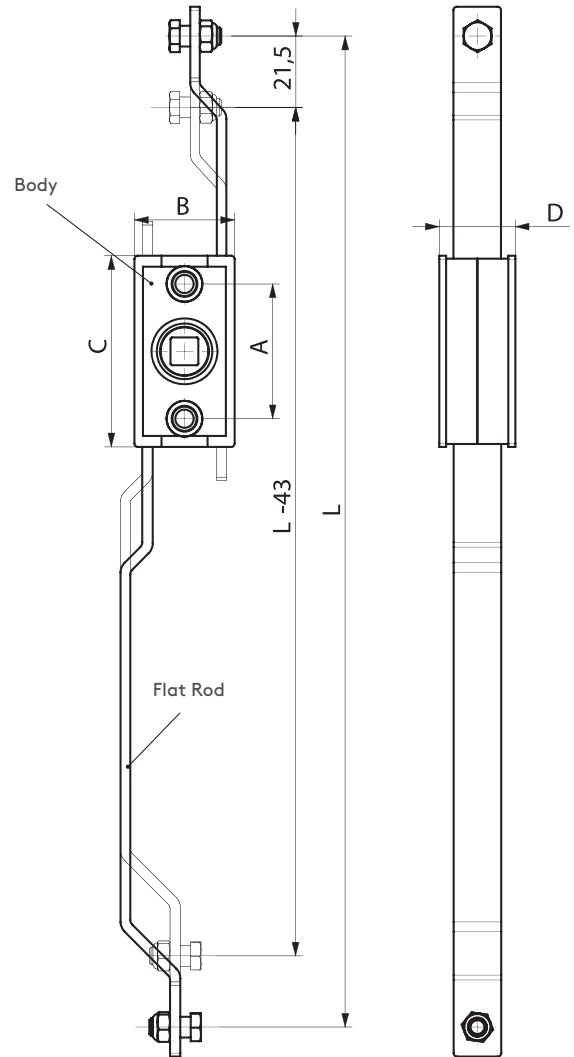
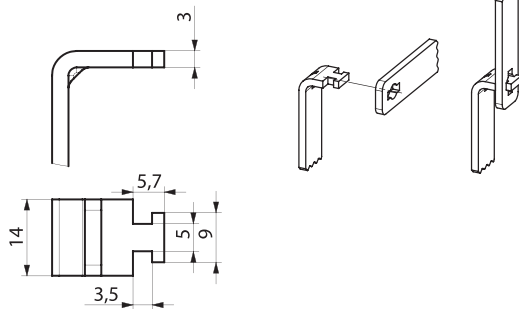
M : 2 With snap ring



M : 3 Square riveted



M : 4 'T'- tipped



L mm
217
278
288
347
166
125



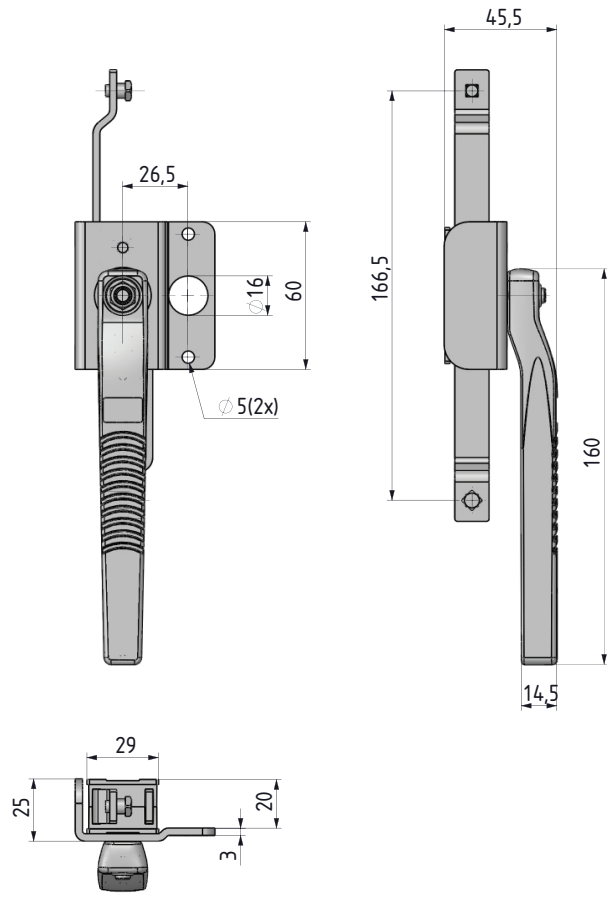
Group Code	Version	Length	Flat Rod Mounting
4001	V	L	M

V	MECHANISM		A	B	C	D
	Body	Flat rod				
1	Zamak	Steel	39	29	55	22
2	Plastic	Steel	39	29	55	22
3	Zamak (with Stopper)	Steel	39	29	55	22
4	Stainless steel	Stainless steel	39	29	55	22
5	Zamak (D: 19mm)	Stainless steel	39	27	55	19
6	Zamak (A: 38 mm)	Stainless steel	39	29	55	22

ROD-LATCH SYSTEM

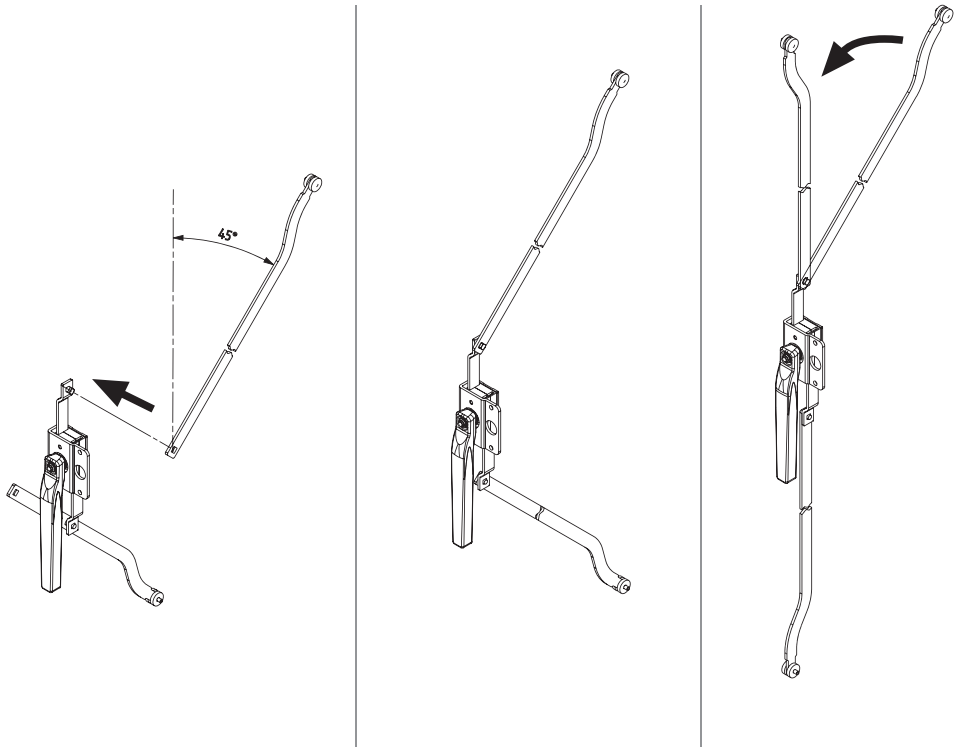
INTERNAL LOCKING SYSTEM

03030

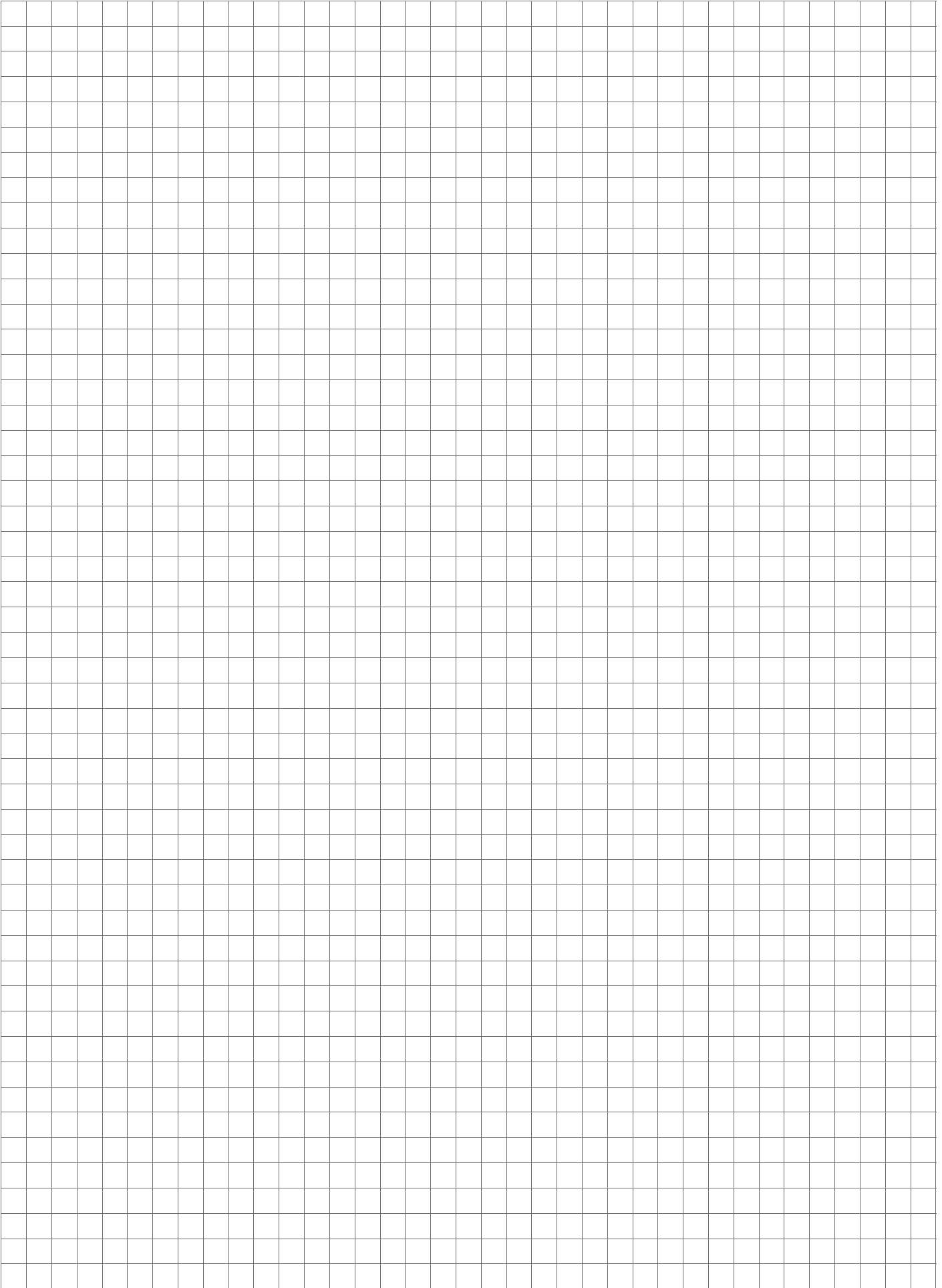


- For double-door cabinets to lock single door from inside

MATERIAL
 HANDLE: Zamak DIN-EN 1774-ZnAl4Cu1
 MECHANISM: Zamak DIN-EN 1774-ZnAl4Cu1



For cams please check pages: 170 - 171
 For rods please check pages: 178 - 188





90-92



93



94



95



96



97



98



99



100-105



106



109



110



111



112-113



114



115



HEAVY-DUTY LOCKS

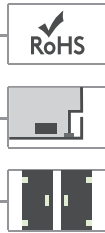
88-115



HEAVY-DUTY LOCKS

PUSH-TO-CLOSE LOCK

016



V:1

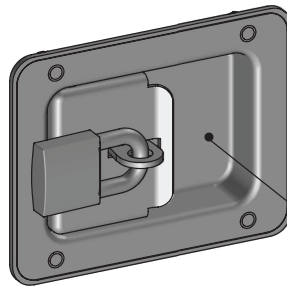
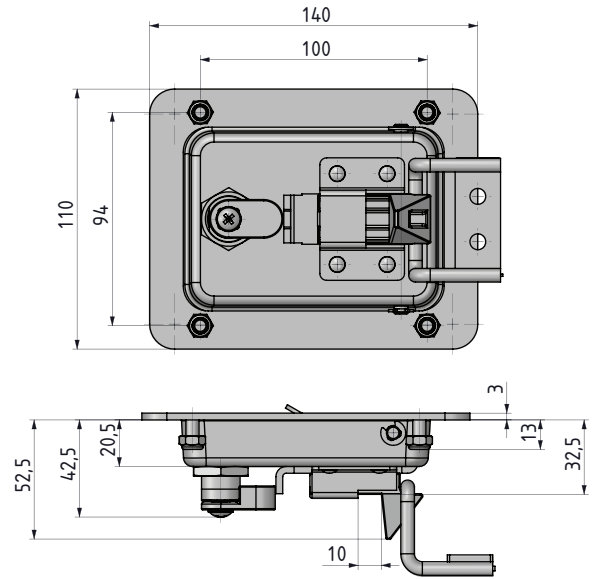
- Stainless steel version: page 454
- Slam-shut operation
- Brass cam
- Striking plate required
- Can open from inside by moving cam

MATERIAL

BODY: Steel
 HANDLE: Steel
 CAM: Brass
 SCREW: Stainless steel
 GASKET: Polyurethane

FINISH

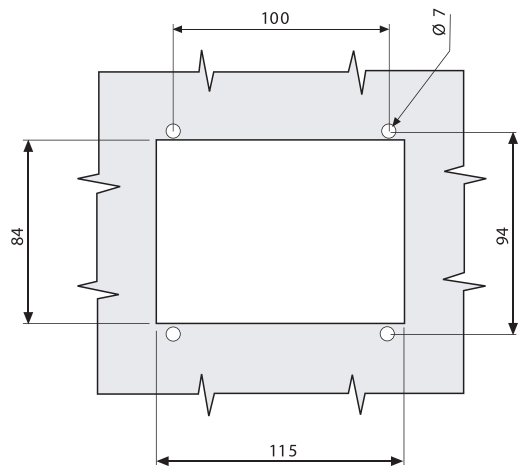
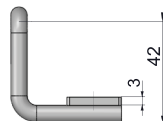
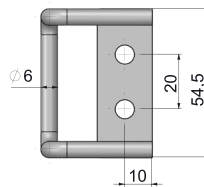
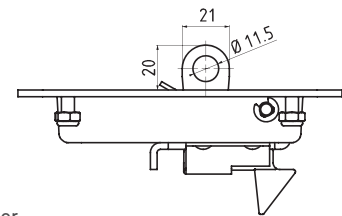
Black Coated



1

Padlock application

No cylinder



CAM STRIKING PLATE

016 A71



- Striking plate
- Custom sizes available

MATERIAL

Steel

FINISH

Zinc plated

SPECIFICATIONS		DD
No cylinder		00
Stainless steel dust cap (Keyed alike)		03
Stainless steel dust cap (Keyed differ)		32

MATERIAL	M	FINISH	F
Steel	6	Black Coated	2

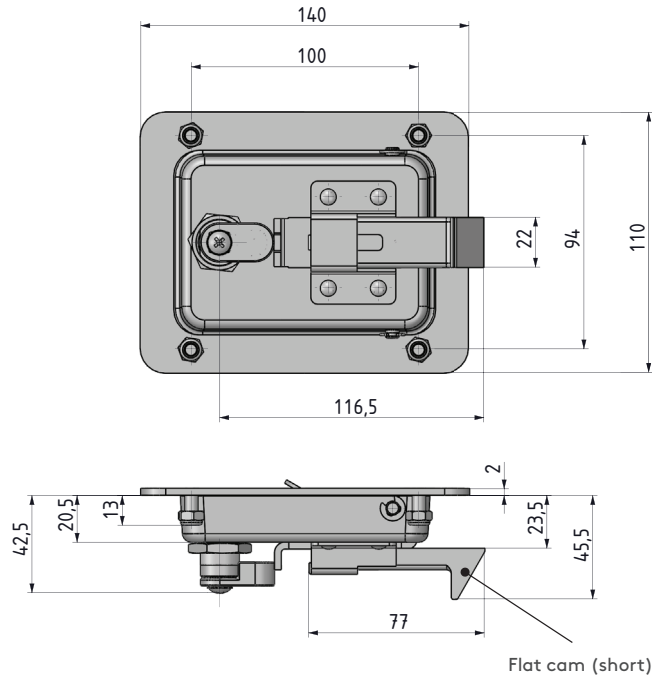
Group Code	Material	Finish	Cylinder	Version	Padlock *
016	6	2	DD	V	

*: add "1" for padlock application

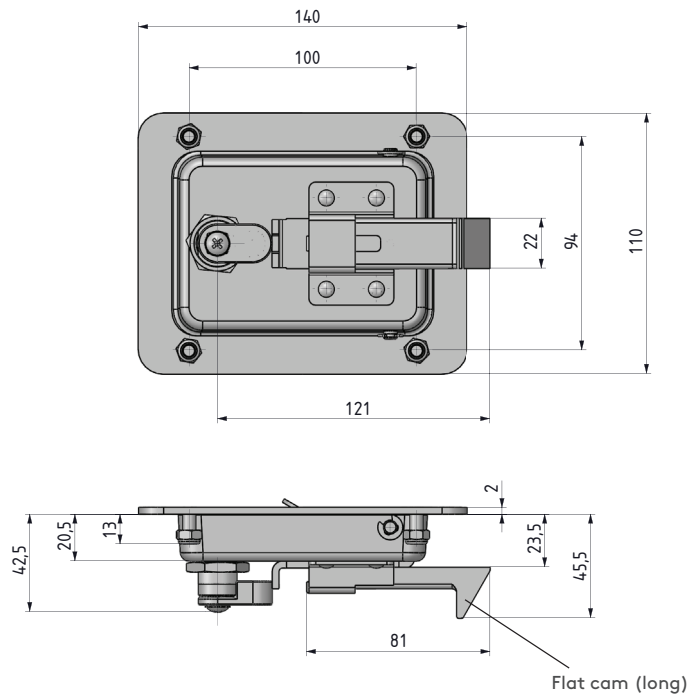
016

PUSH-TO-CLOSE LOCK

V: 2



V: 3



- Two types of die-cast zinc cams
- No locking device needed
- Can open from inside by moving cam

MATERIAL

BODY: Steel
 HANDLE: Steel
 CAM: Zamak DIN-EN 1774-ZnAl4Cu1
 SEAL: Polyurethane

FINISH

Black coated

HEAVY-DUTY LOCKS

PUSH-TO-CLOSE LOCK

016



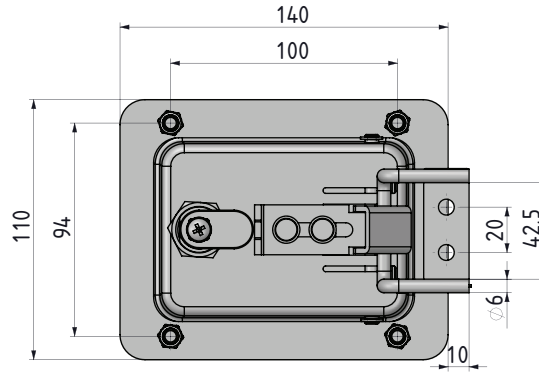
- Slam-shut operation with steel cam
- Can open from inside by moving cam

MATERIAL

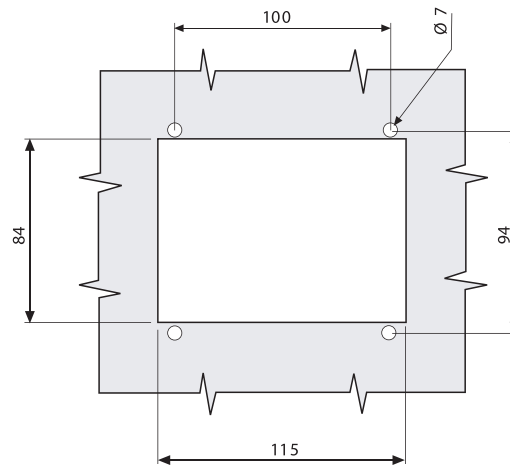
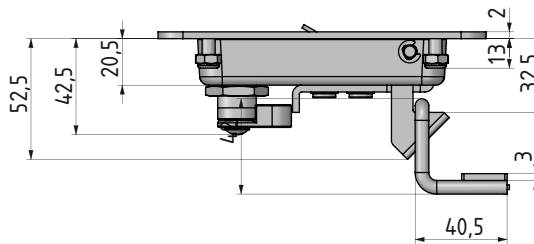
BODY: Steel
 HANDLE: Steel
 CAM: Steel
 SCREW: Stainless steel
 GASKET: Polyurethane

FINISH

Black Coated



V: 4



Cut Out

CAM STRIKING PLATE

016 A71



- Striking plate
- Custom sizes available

MATERIAL

Steel

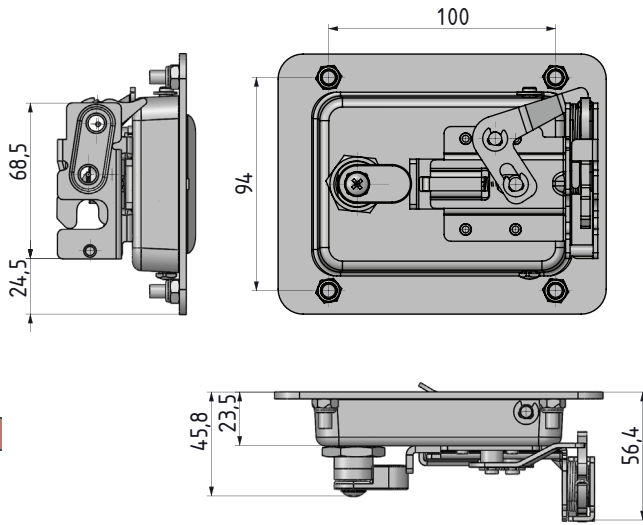
FINISH

Zinc plated

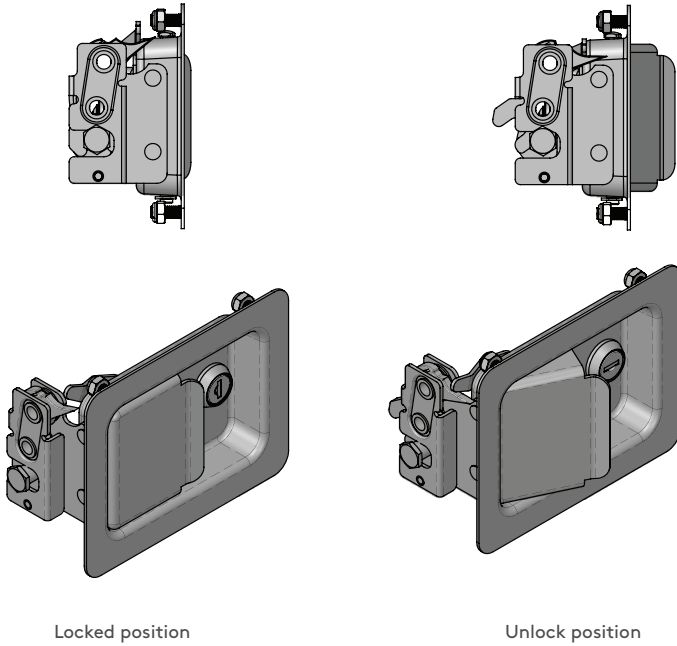
SPECIFICATIONS		DD
No cylinder		00
Stainless steel dust cap (Keyed alike)		03
Stainless steel dust cap (Keyed differ)		32

MATERIAL	M	FINISH	F
Steel	6	Black Coated	2

Group Code	Material	Finish	Cylinder	Version
016	6	2	DD	4



V: 5



Locked position

Unlock position

016

PUSH-TO-CLOSE LOCK



- Padlatch with integrated Rotary Latch
- Slam-shut operation
- Striker bolt is required
- Can open from inside by moving cable

MATERIAL

BODY: Steel
 HANDLE: Steel
 CAM: Zamak DIN-EN 1774-ZnAl4Cu1
 SEAL: Polyurethane
 ROTARY LATCH: Steel

SB.1

STRIKER BOLT (MINI)



MATERIAL
 BODY: Steel

FINISH
 Zinc Plated

SPECIFICATIONS		DD
No cylinder		00
Stainless steel dust cap (Keyed alike)		03
Stainless steel dust cap (Keyed differ)		32

MATERIAL	M	FINISH	F
Steel	6	Black Coated	2

Group Code	Material	Finish	Cylinder	Version	Padlock *
016	6	2	DD	5	

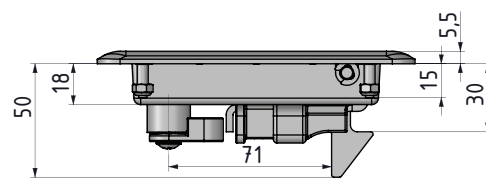
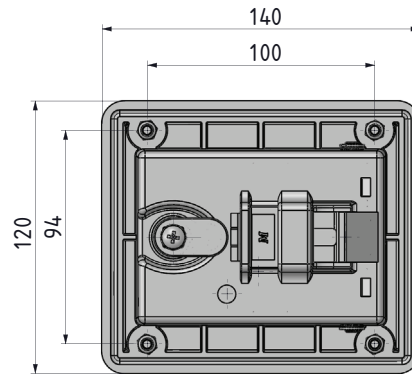
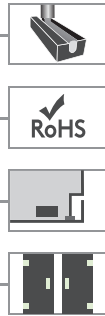
*: add "1" for padlock application

 For Cables & Cable Accessories page: 158- 159

HEAVY-DUTY LOCKS

PUSH-TO-CLOSE LOCK

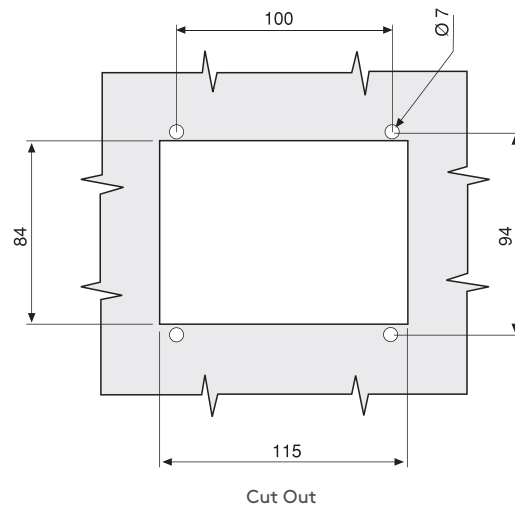
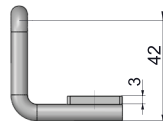
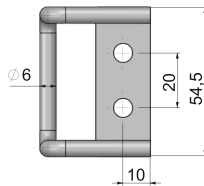
016



- Slam-shut operation
- Brass cam
- Striking plate required
- Can open from inside by moving cam

MATERIAL

BODY: Polyamid DIN-EN ISO 1043-1 PA6 GFR 30
CAM: Brass or Delrin



CAM STRIKING PLATE

016 A71



- Striking plate
- Custom sizes available

MATERIAL

Steel

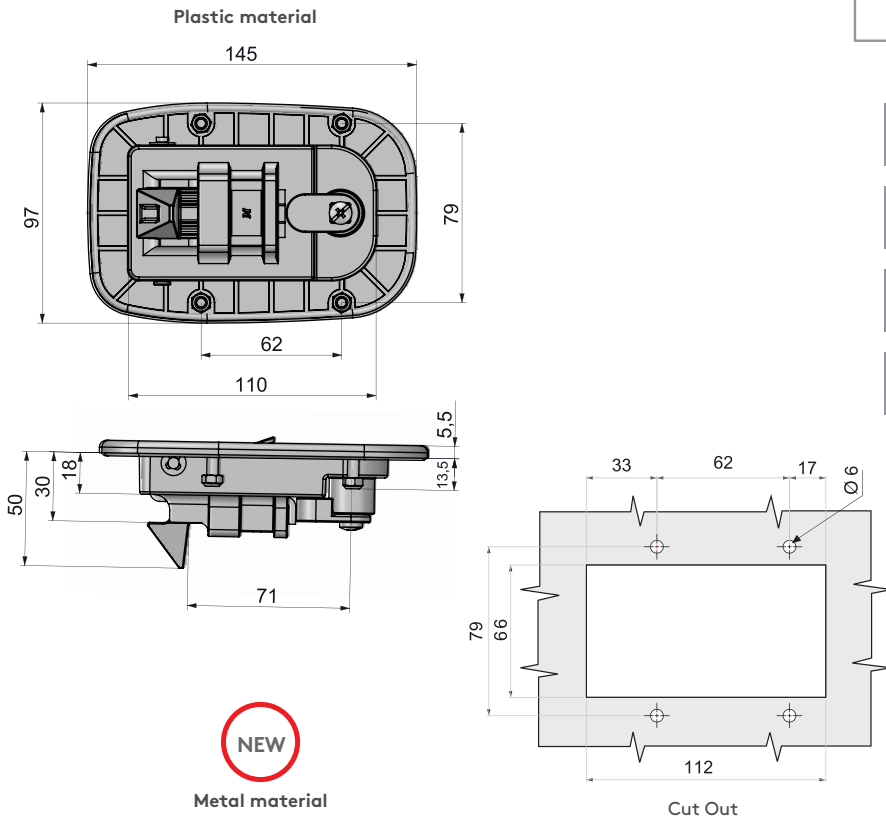
FINISH

Zinc plated

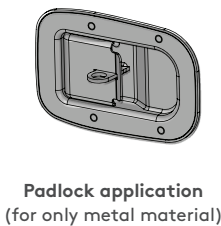
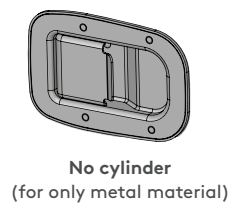
CYLINDER TYPE	D D
Stainless steel dust cap (Keyed alike)	03
Stainless steel dust cap (Keyed differ)	32

CAM	C C
Brass	01
Plastic	02

Group Code	Material	Finish	Cylinder	Cam
016	2	0	DD	CC



Metal material



216

PUSH-TO-CLOSE LOCK



- Slam-shut operation
- Brass cam
- Striking plate required
- Can open from inside by moving cam

MATERIAL

BODY: Steel or Polyamide DIN-EN ISO 1043-1 PA6 GFR 30
CAM: Brass or Delrin

016 A71

CAM STRIKING PLATE



- Striking plate
- Custom sizes available

MATERIAL

Steel

FINISH
Zinc plated

MATERIAL	M	FINISH	F
Steel	6	Black coated	2
Plastic	2	No finish	0

CYLINDER TYPE	DD
No cylinder	00
Stainless steel dust cap (Keyed alike)	03
Stainless steel dust cap (Keyed differ)	32

CAM	CC
Brass	01
Plastic	02

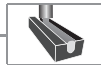
Group Code	Material	Finish	Cylinder	Cam	Asma Kilit *
216	M	F	DD	CC	

*: add "1" for padlock application

HEAVY-DUTY LOCKS

PUSH-TO-CLOSE LOCK

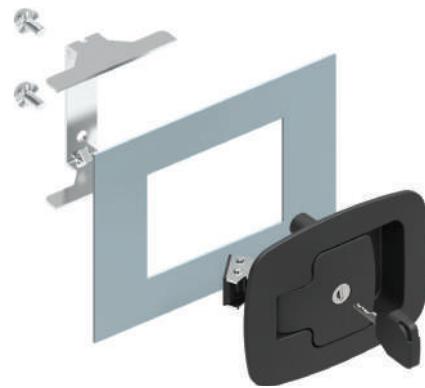
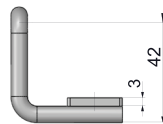
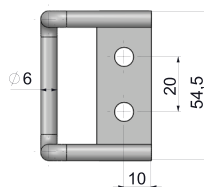
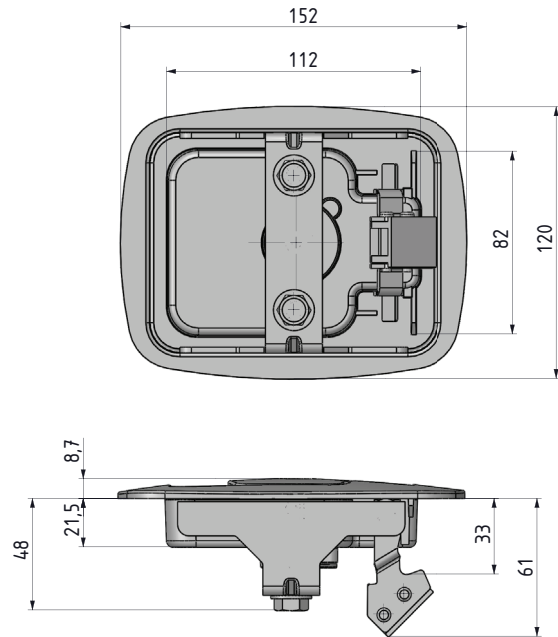
316



- Slam shut operation. Steel cam.
- Striking plate is needed
- Lock can be opened from inside by moving cam. .

MATERIAL

BODY: Polyamid DIN-EN ISO 1043-1 PA6 GFR 30
 CAM: Steel



CAM STRIKING PLATE

016 A71



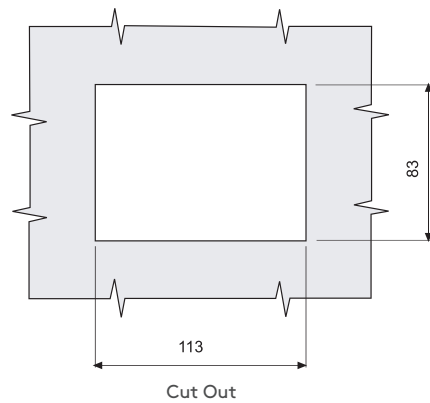
- Striking plate
- Custom sizes available

MATERIAL

Steel

FINISH

Zinc plated

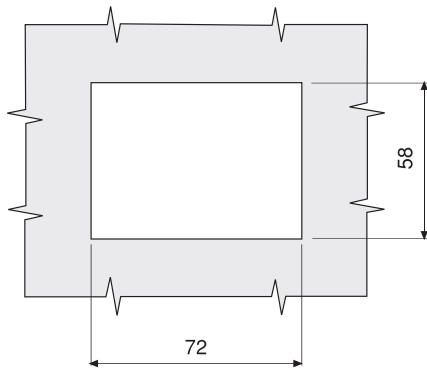
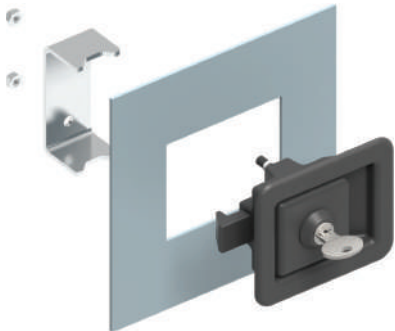
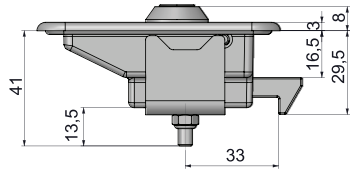
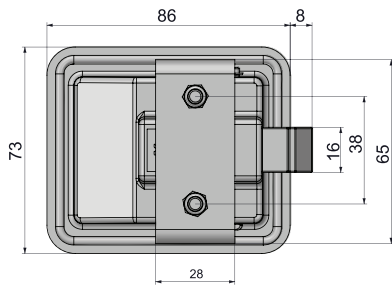


SPECIFICATIONS		DD
Stainless steel dust cap (Keyed alike)		03

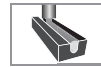
Group Code	Material	Finish	Cylinder	Cam
316	2	0	03	01

116

MINI PUSH-TO-CLOSE LOCK



Cut Out



- Delrin cams
- No locking device needed
- Can open from inside by moving cam

MATERIAL

BODY: Polyamid DIN-EN ISO 1043-1 PA6 GFR 30
HANDLE: Zamak DIN-EN 1774-ZnAl4Cu1
CAM: Delrin
MOUNTING BRACKET: Steel

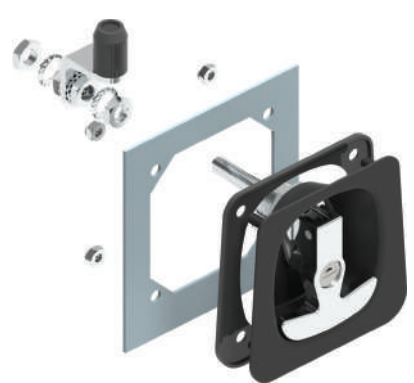
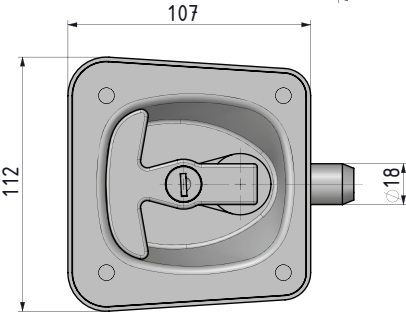
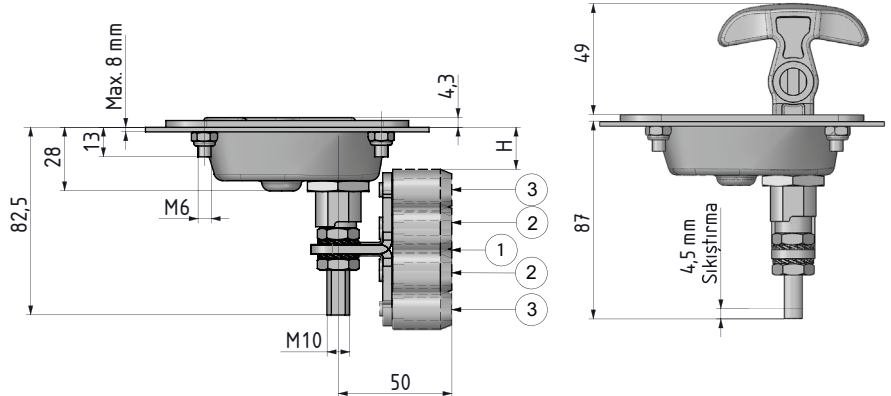
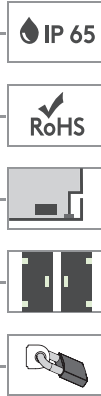
SPECIFICATIONS		DD
No cylinder		00
Keyed alike		01

Group Code	Cylinder
116	DD

HEAVY-DUTY LOCKS

T HANDLE HEAVY-DUTY LOCK

214



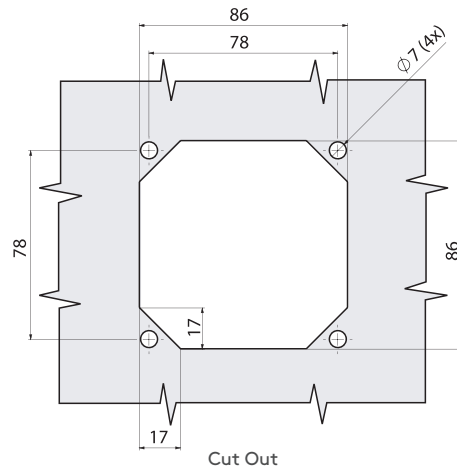
- Advanced sealing with compression
- Adjustable grip is possible
- Easy fixing with roller cam
- with/without padlock options

MATERIAL

BODY: Steel
 HANDLE: Zamak DIN-EN 1774-ZnAl4Cu1
 CAM: Steel
 SCREW: Stainless steel
 SEAL: Polyurethane

FINISH

BODY: Black coated
 HANDLE: Chrome or black coated



CAM	Stock Code	CC	Position	H: GRIP	
				min	max
①	214C01	01	Up	35	54
			Down	57	72
②	214C02	02	Up	35	50
			Down	63	78
③	214C03	03	Up	20	35
			Down	75	90



Padlock application

SPECIFICATIONS	DD
No cylinder	00
Stainless steel dust cap (Keyed alike)	03
Stainless steel dust cap (Keyed differ)	32
Euro key (5333)	05
CH751 (Stainless steel dust cap)	07

FINISH	F
Chrome plated	1
Black coated	2

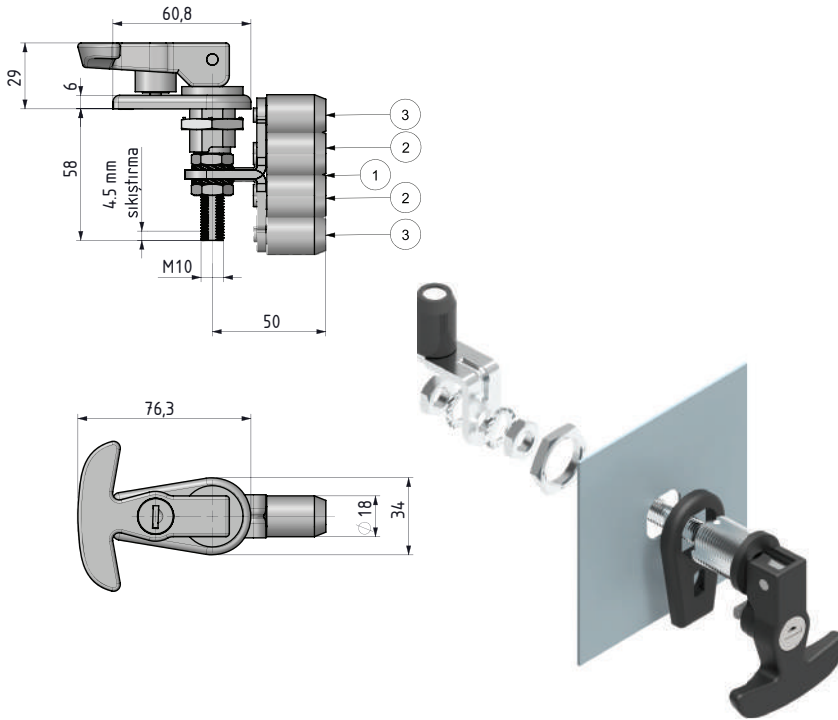
Group Code	Handle	Cylinder	Cam	Padlock *
214	1	F	DD	CC

*: add "1" for padlock application

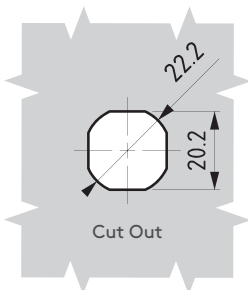


214

T HANDLE HEAVY-DUTY LOCK



- Advanced sealing with compression
- Adjustable grip is possible
- Easy fixing with roller cam
- with/without padlock options



CAM	Stock Code	CC	Position	H: GRIP	
				min	max
①	214C01	01	Up	20	35
			Down	72	87
②	214C02	02	Up	35	50
			Down	57	72
③	214C03	03	Up	38,5	54
			Down	54	69

MATERIAL

HOUSING: Zamak DIN-EN 1774-ZnAl4Cu1

HANDLE: Zamak DIN-EN 1774-ZnAl4Cu1

CAM: Steel

SEAL: Polyurethane

FINISH

BODY: Black coated

HANDLE: Chrome or black coated

SPECIFICATIONS	DD
No cylinder	00
Stainless steel dust cap (Keyed alike)	03
Stainless steel dust cap (Keyed differ)	32
Euro key (5333)	05
CH751 (Stainless steel dust cap)	07

FINISH	F
Chrome plated	1
Black coated	2


Group Code	Version	Handle	Housing	Cylinder	Cam	Padlock *
214	2	1 F	1 F	DD	CC	

*: add "1" for padlock application

014

VERSIONS

Roller cam



V:1 V:6

Adjustable roller cam

Grip adjustment system

Grip adjusted by rotating the main screw between 10 - 60 mm
40 - 80 mm


Set screw

To adjust the grip, first loosen the set screw. Then screw again for fixing

V:2

Fixed cam

Standard Grip (H) is 60 mm;
for different grip ranges contact
Essentra Components



V:3

Espagnolette cam



two-point locking

V:4

Espagnolette cam and adjustable roller cam



three-point locking

V:5

Espagnolette cam and fixed cam



three-point locking

GENERAL FEATURES



Ergonomic T handle
Black coated or chrome plated



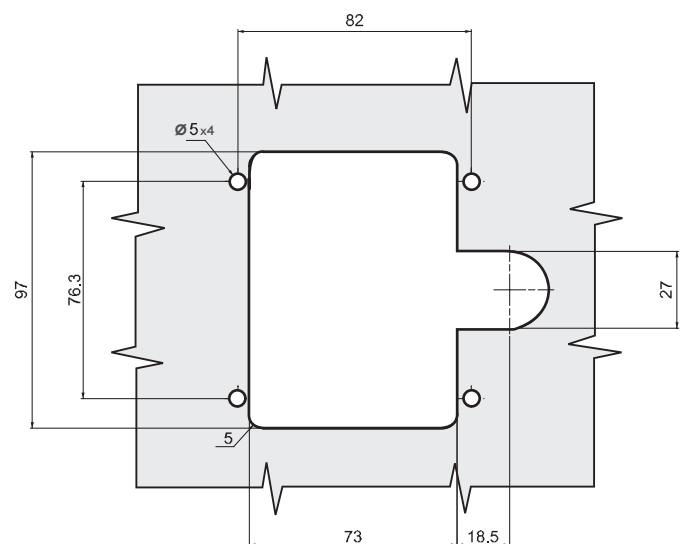
Cylinder locking system
Stainless steel dust cap (Keyed alike or Keyed differ)

Padlockable
Max. hasp dia 9 mm



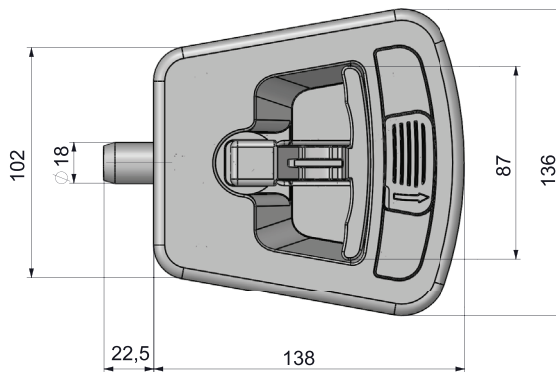
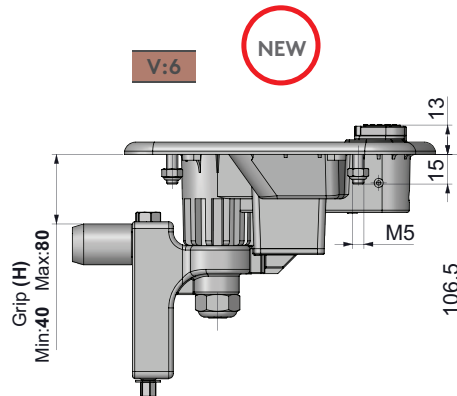
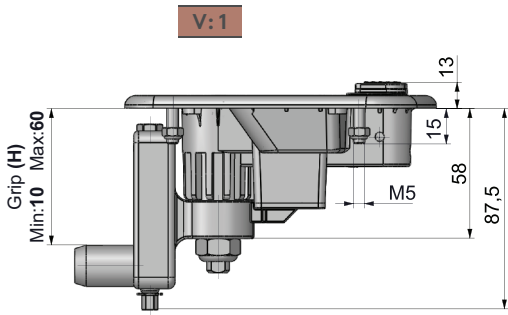
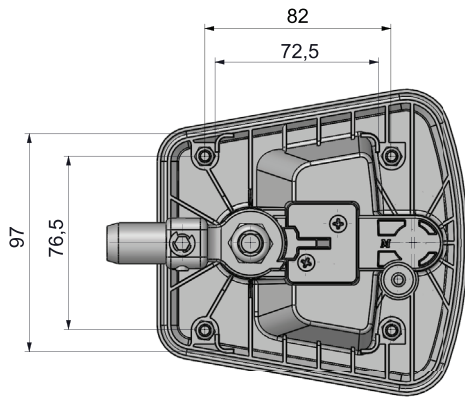
Stud or hole option
M5 stud or rivet

Cut out





Adjustable roller cam



014

T HANDLE HEAVY-DUTY LOCK



- Single-point locking
- 10 - 60 or 40 - 80 mm grip range
- Easy fixing with roller cam
- Provides sealing with compression property
- Option to use with or without padlock
- Use rivets or bolts for fixing
- Can be supplied without cylinder

MATERIAL

BODY: Polyamid DIN-EN ISO 1043-1PA6 GFR 30
HANDLE: Zamak DIN-EN 1774-ZnAl4Cu1

FINISH

HANDLE: Chrome or black coated

SPECIFICATIONS	D D
Stainless steel dust cap (Keyed alike)	03
Stainless steel dust cap (Keyed differ)	32
CH751 (Stainless steel dust cap)	07

FINISH	F	OPTION	O
Chrome Plated	1	Hole	0
Black Coated	2	Stud	1

Group Code	Version	Handle	Cylinder	Option
014	V	1	F	DD

⚠ Note: The listing of this/these product(s) in the catalogue does not constitute an offer to sell any of those products in the UK and USA

HEAVY-DUTY LOCKS

T HANDLE HEAVY-DUTY LOCK

014



- Fixed grip
- Single-point locking
- Easy fixing with roller cam
- Provides sealing with compression property
- Option to use with or without padlock
- Use rivets or bolts for fixing
- Can be supplied without cylinder

MATERIAL

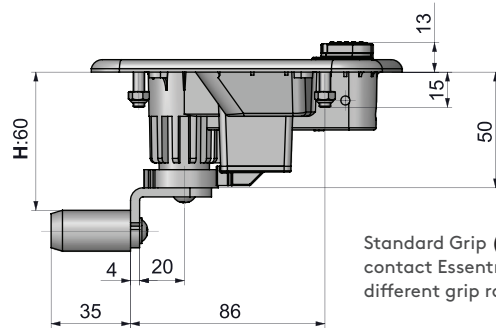
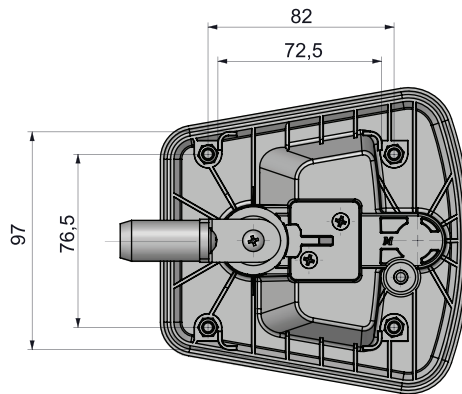
BODY: Polyamid DIN-EN ISO 1043-1 PA6 GFR 30
 HANDLE: Zamak DIN-EN 1774-ZnAl4Cu1

FINISH

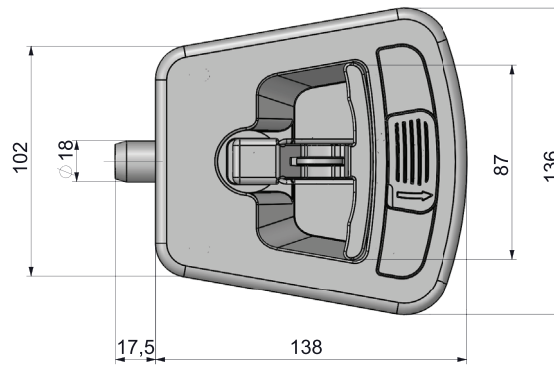
HANDLE: Chrome or black coated

V: 2

Fixed cam



Standard Grip (H) is 60 mm; contact Essentra Components for different grip ranges

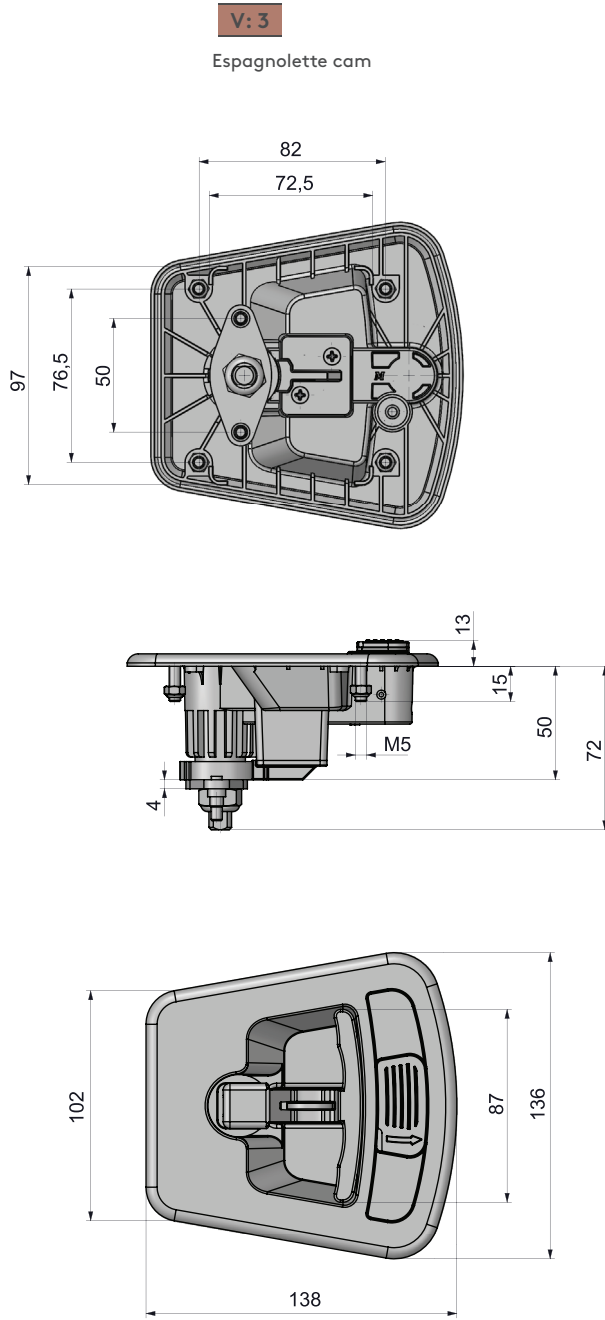


SPECIFICATIONS	DD
Stainless steel dust cap (Keyed alike)	03
Stainless steel dust cap (Keyed differ)	32
CH751 (Stainless steel dust cap)	07

FINISH	F	OPTION	O
Chrome Plated	1	Hole	0
Black Coated	2	Stud	1

Note: The listing of this/these product(s) in the catalogue does not constitute an offer to sell any of those products in the UK and USA

Group Code	Version	Handle	Cylinder	Grip	Option
014	2	1	F	DD	60



014

T HANDLE HEAVY-DUTY LOCK



- Two-point locking
- Option to use with or without padlock
- Use rivets or bolts for fixing
- Can be supplied without cylinder

MATERIAL

BODY: Polyamid DIN-EN ISO 1043-1PA6 GFR 30
HANDLE: Zamak DIN-EN 1774-ZnAl4Cu1

FINISH

HANDLE: Chrome or black coated

SPECIFICATIONS		DD	FINISH		F	OPTION		O
Stainless steel dust cap (Keyed alike)		03	Chrome Plated		1	Hole		0
Stainless steel dust cap (Keyed differ)		32	Black Coated		2	Stud		1
CH751 (Stainless steel dust cap)		07						

Group Code	Version	Handle	Cylinder	Option
014	3	1	F	DD

⚠ Note: The listing of this/these product(s) in the catalogue does not constitute an offer to sell any of those products in the UK and USA

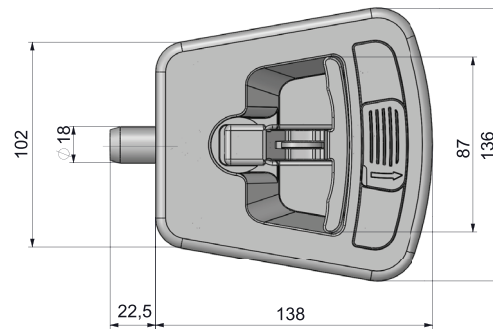
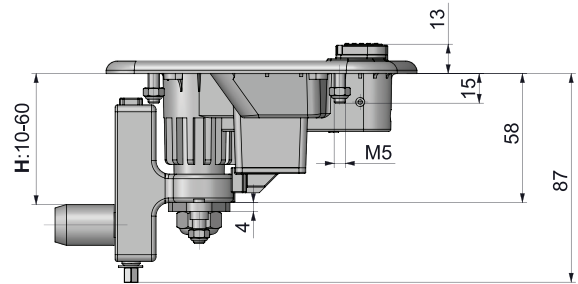
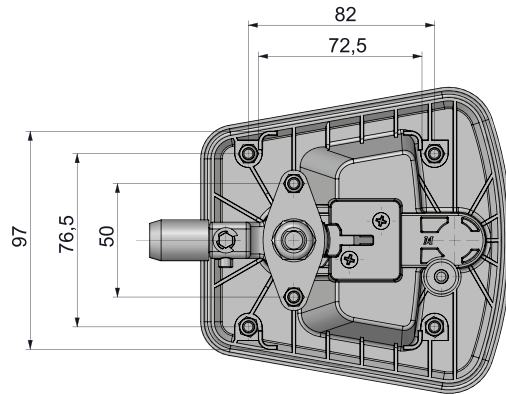
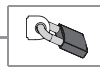
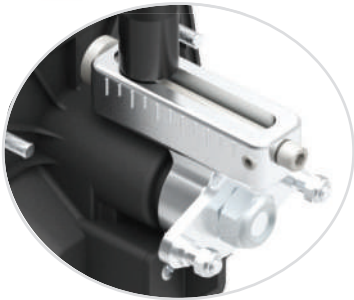
HEAVY-DUTY LOCKS

T HANDLE HEAVY-DUTY LOCK

014

V:4

Espagnolette cam and adjustable roller cam



- Three-point locking
- 10 - 60 mm grip range
- Easy fixing with roller cam
- Provides sealing with compression property
- Option to use with or without padlock
- Use rivets or bolts for fixing
- Can be supplied without cylinder

MATERIAL

BODY: Polyamid DIN-EN ISO 1043-1 PA6 GFR 30

HANDLE: Zamak DIN-EN 1774-ZnAl4Cu1

FINISH

HANDLE: Chrome or black coated

SPECIFICATIONS	DD
Stainless steel dust cap (Keyed alike)	03
Stainless steel dust cap (Keyed differ)	32
CH751 (Stainless steel dust cap)	07

FINISH	F
Chrome Plated	1
Black Coated	2

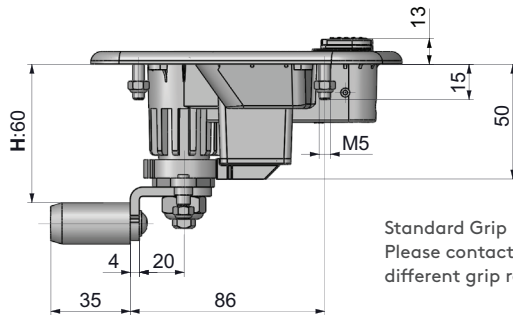
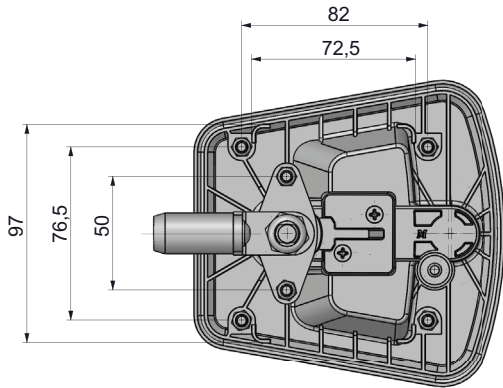
OPTION	O
Hole	0
Stud	1

Note: The listing of this/these product(s) in the catalogue does not constitute an offer to sell any of those products in the UK and USA

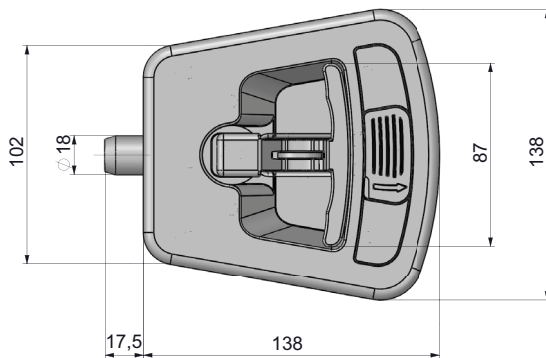
Group Code	Version	Handle	Cylinder	Option
014	4	1	F	DD

V:5

Espagnolette cam and fixed cam

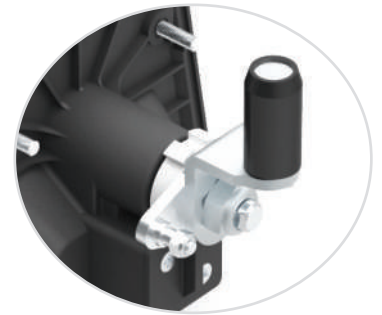


Standard Grip (H) is 60 mm
Please contact Essentra Components for different grip ranges



014

T HANDLE HEAVY-DUTY LOCK



- Fixed Grip
- Three-point locking
- Easy fixing with roller cam
- Provides sealing with compression property
- Option to use with or without padlock
- Use rivets or bolts for fixing
- Can be supplied without cylinder

MATERIAL

BODY: Polyamid DIN-EN ISO 1043-1 PA6 GFR 30
HANDLE: Zamak DIN-EN 1774-ZnAl4Cu1

FINISH

HANDLE: Chrome or black coated

SPECIFICATIONS	DD	FINISH	F	OPTION	O
Stainless steel dust cap (Keyed alike)	03	Chrome Plated	1	Hole	0
Stainless steel dust cap (Keyed differ)	32	Black Coated	2	Stud	1
CH751 (Stainless steel dust cap)	07				

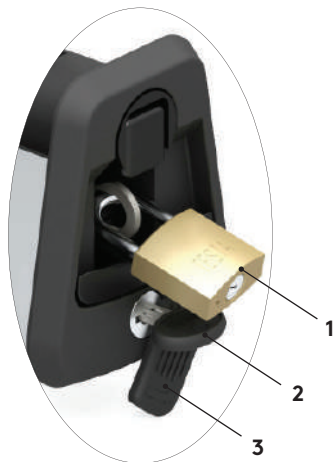
Group Code	Version	Handle	Cylinder	Grip	Option
014	5	1	F	DD	60

⚠ Note: The listing of this/these product(s) in the catalogue does not constitute an offer to sell any of those products in the UK and USA

HEAVY-DUTY LOCKS

MINI 'T' HANDLE CABINET LOCK

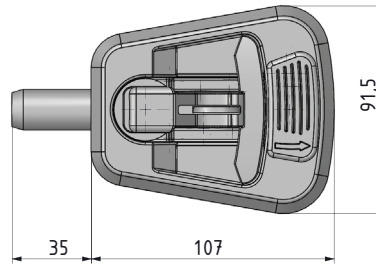
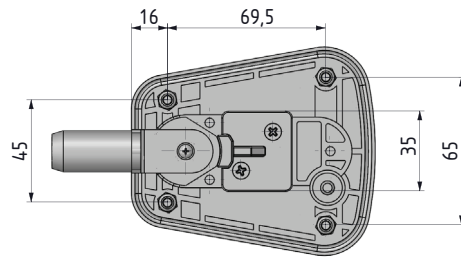
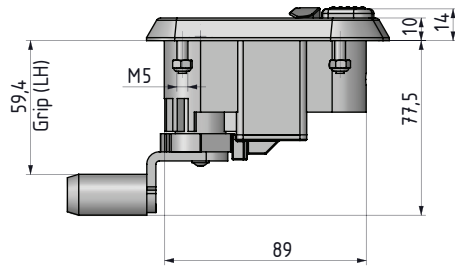
114



- 1- Double security
- 2- Cylinder locking system
- 3- Sliding dust cap

Note: The listing of this/these product(s) in the catalogue does not constitute an offer to sell any of those products in the UK and USA

- IP 65
- RoHS
-
-



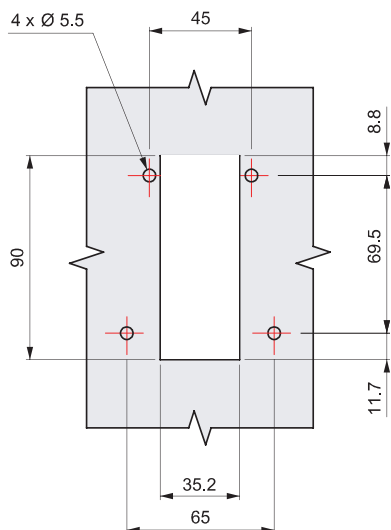
V: 2

Stud version

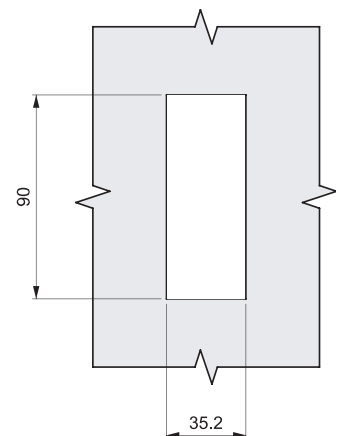


V: 3

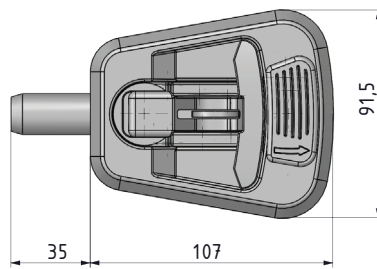
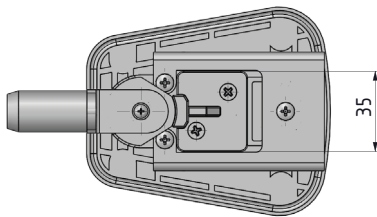
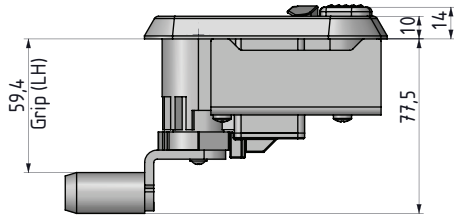
Stud version



Cut Out
V2 - V3



Cut Out
V1



V:1

Bracket version



114

MINI 'T' HANDLE CABINET LOCK



- Single point locking
- Easy locking by the roller cam
- 4 mm compression
- Optionally used with or without padlock.
- Fixing is possible by rivets, bolts or bracket
- Can be supplied without cylinder.
- Fixed grip
- Please contact us for different grip (LH)

MATERIAL

BODY: Polyamid DIN-EN ISO 1043-1 PA6 GFR 30
HANDLE: Zamak DIN-EN 1774-ZnAl4Cu1
CYLINDER: Zamak DIN-EN 1774-ZnAl4Cu1

FINISH

HANDLE: Chrome or black coated

SPECIFICATIONS		DD
Stainless steel dust cap (Keyed alike)		03
Stainless steel dust cap (Keyed differ)		32
CH751 (Stainless steel dust cap)		07

FINISH		F
Chrome Plated		1
Black Coated		2

Group Code	Version	Handle	Cylinder	Cam
114	V	1 F	DD	01

HEAVY-DUTY LOCKS

MINI 'T' HANDLE CABINET LOCK

114



- Single-point locking
- 10 - 45 mm grip range
- Easy fixing with roller cam
- Provides sealing with compression property
- Option to use with or without padlock
- Use rivets or bolts for fixing
- Can be supplied without cylinder

MATERIAL

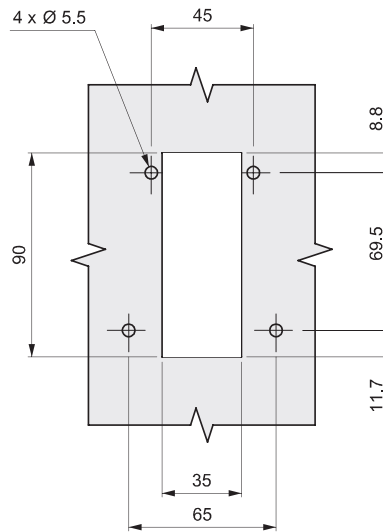
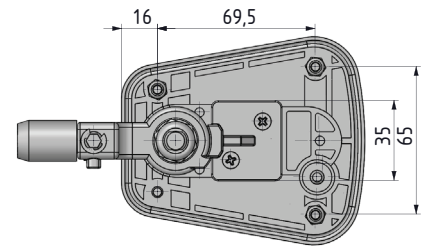
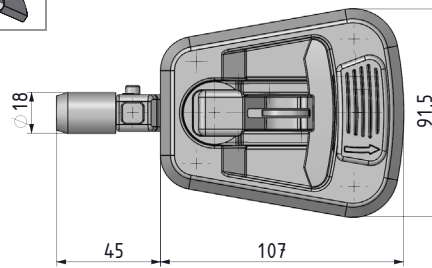
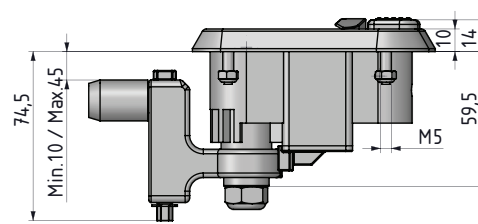
BODY: Polyamid DIN-EN ISO 1043-1PA6 GFR 30
HANDLE: Zamak DIN-EN 1774-ZnAl4Cu1

FINISH

HANDLE: Chrome or black coated

V: 4

Adjustable roller cam



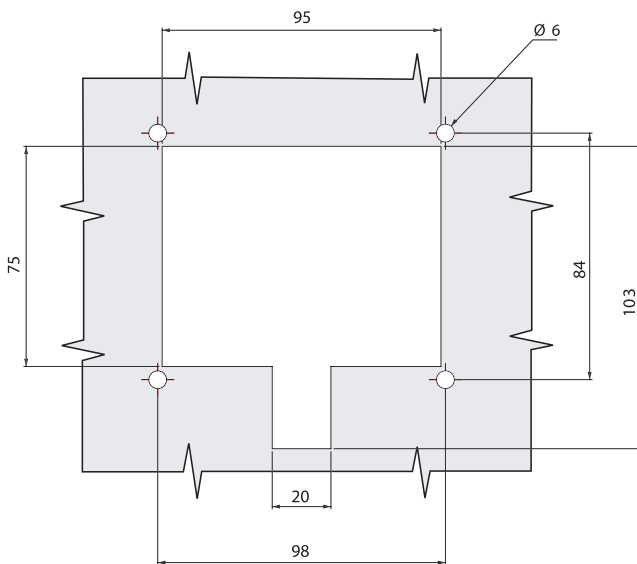
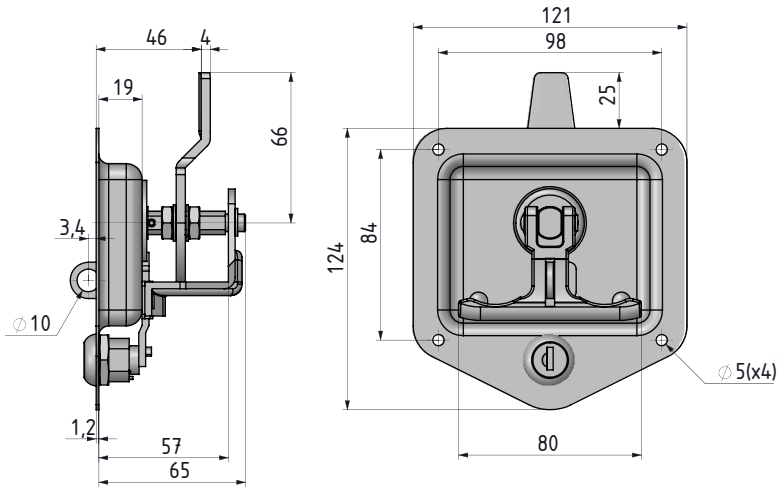
Cut Out



SPECIFICATIONS		DD
Stainless steel dust cap (Keyed alike)		03
Stainless steel dust cap (Keyed differ)		32
CH751 (Stainless steel dust cap)		07

FINISH		F	OPTION		O
Chrome Plated	1		Hole	0	
Black Coated	2		Stud	1	

Group Code	Version	Handle	Cylinder	Option
114	4	1	F	DD



Cut Out

315

T HANDLE HEAVY-DUTY LOCK



- Suitable for special equipment cases
- Adjustable cam for wide grip range
- Maximum padlock shackle diameter 9 mm

MATERIAL

BODY: Stainless steel
HANDLE: Zamak DIN-EN 1774-ZnAl4Cu1
PADLOCK HASP: Stainless steel
CAM: Steel



SPECIFICATIONS		D D
Stainless steel dust cap (Keyed alike)		03
Stainless steel dust cap (Keyed differ)		32

Group Code	Material	Finish	Cylinder
315	4	0	DD

HEAVY-DUTY LOCKS

T HANDLE HEAVY-DUTY LOCK

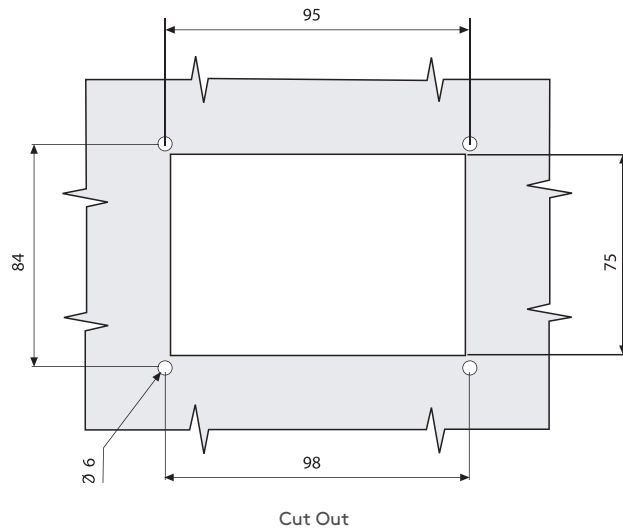
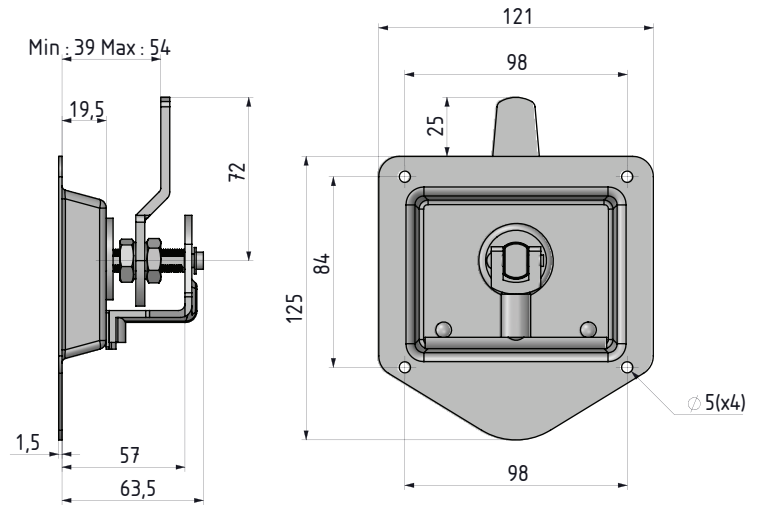
115



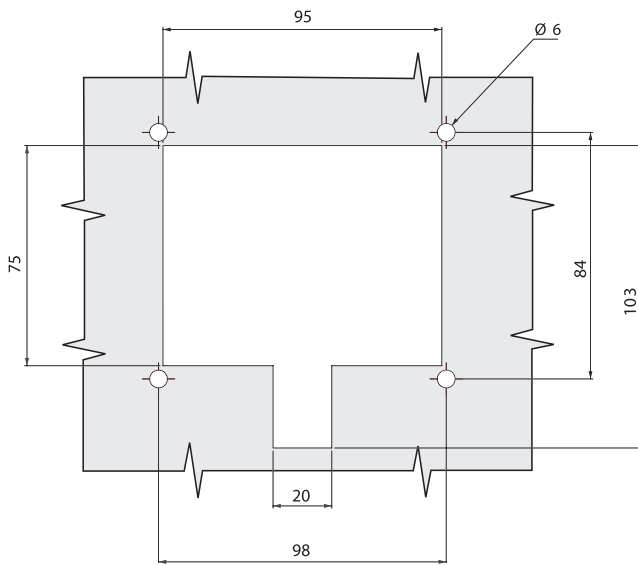
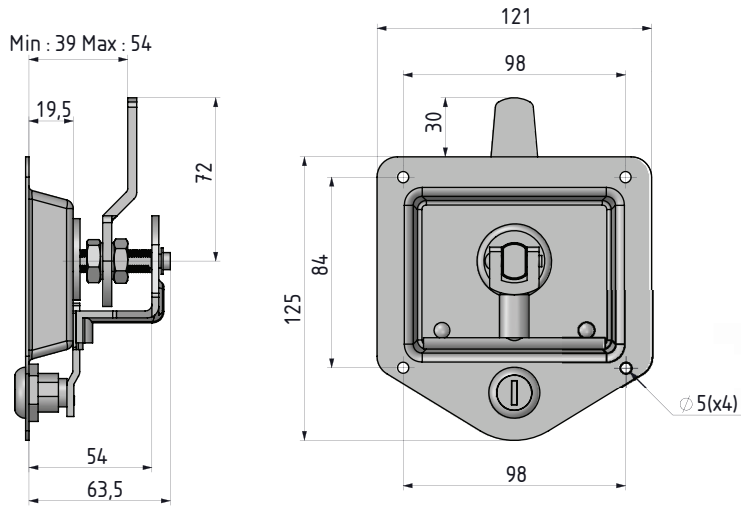
- Suitable for special equipment cases
- Adjustable cam for wide grip range
- Maximum padlock shackle diameter 9 mm

MATERIAL

BODY: Stainless steel
 HANDLE: Zamak DIN-EN 1774-ZnAl4Cu1
 PADLOCK HASP: Stainless steel
 CAM: Steel



Group Code	Material	Finish
115	4	0



Cut Out

215

T HANDLE HEAVY-DUTY LOCK



- Suitable for special equipment cases
- Adjustable cam for wide grip range

MATERIAL

BODY: Stainless steel
 HANDLE: Zamak DIN-EN 1774-ZnAl4Cu1
 CAM: Steel

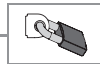
SPECIFICATIONS		DD
Stainless steel dust cap (Keyed alike)		03
Stainless steel dust cap (Keyed differ)		32

Group Code	Material	Finish	Cylinder
215	4	0	DD

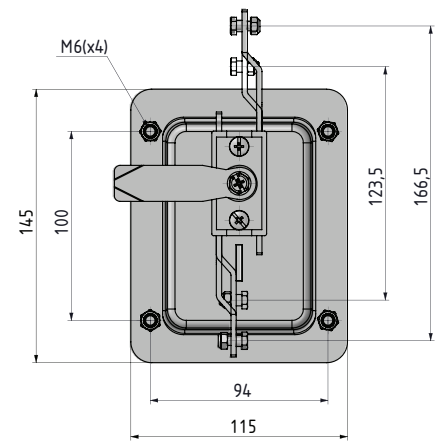
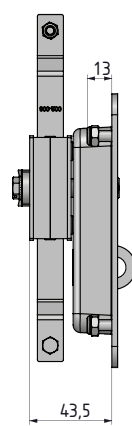
HEAVY-DUTY LOCKS

T HANDLE HEAVY-DUTY LOCK

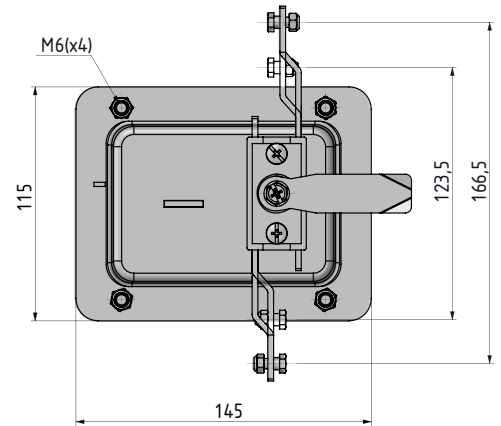
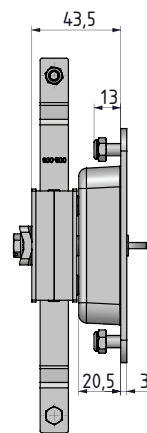
015



V:1
VERTICAL



V:2
HORIZONTAL



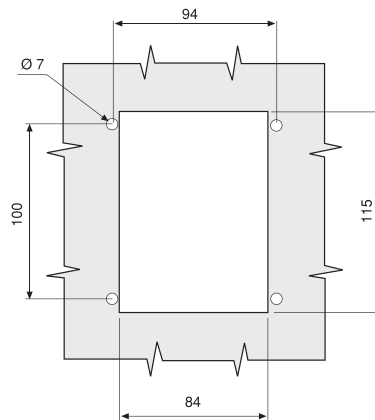
- Secured by padlock
- Maximum padlock shackle diameter 9 mm
- Horizontal and vertical versions available

MATERIAL

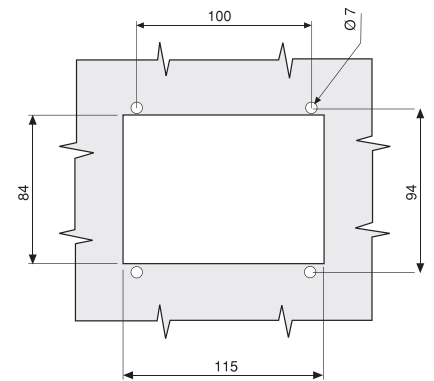
BODY: Steel
HANDLE: Zamak DIN-EN 1774-ZnAl4Cu1
CAM: Steel
SCREW: Stainless steel
SEAL: Polyurethane

FINISH

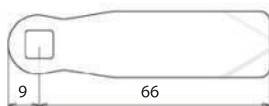
HANDLE: Chrome or black coated
BODY: Black coated



VERTICAL
Cut Out



HORIZONTAL
Cut Out



FINISH	F	70	CAM
Chrome Plated	1	00	NO CAM
Black Coated	2		

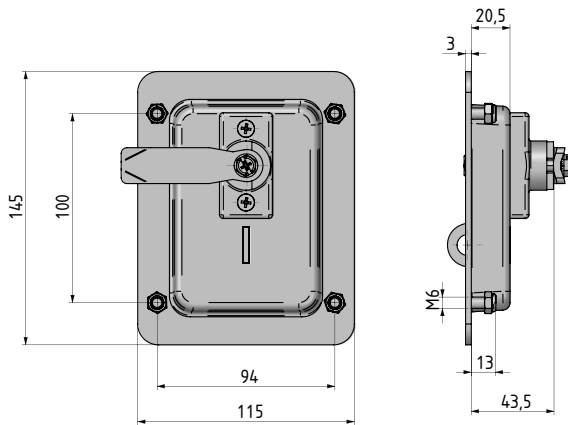
Group Code	Version	Handle	Body	Cam
015	V	F	F	CC

For cams please check pages: 172 - 173

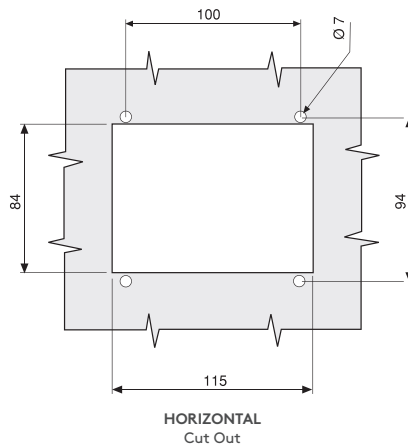
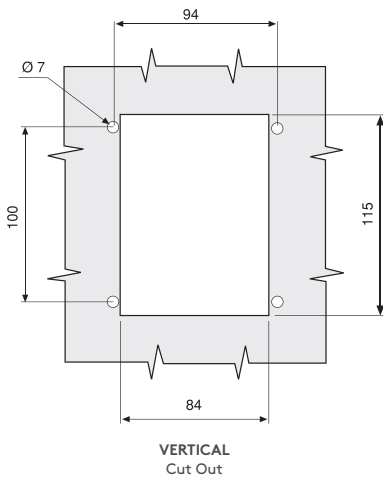
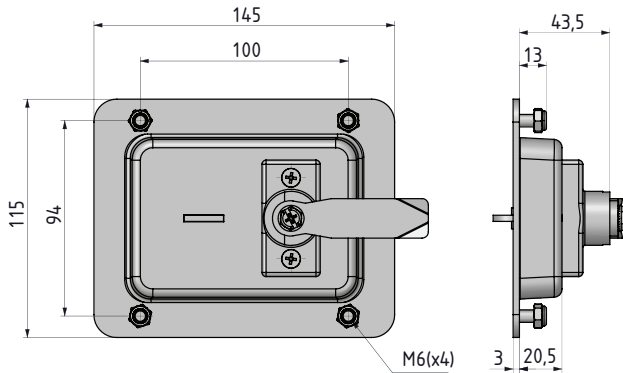
015

T HANDLE HEAVY-DUTY LOCK

V: 3
VERTICAL



V: 4
HORIZONTAL



- Secured by padlock
- Maximum padlock shackle diameter 9 mm
- Horizontal and vertical versions available

MATERIAL

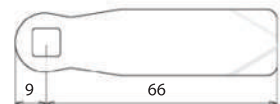
BODY: Steel
HANDLE: Zamak DIN-EN 1774-ZnAl4Cu1
CAM: Steel
SCREW: Stainless steel
SEAL: Polyurethane

FINISH

HANDLE: Chrome or black coated
BODY: Black coated

FINISH	F	70	CAM
Chrome Plated	1	00	NO CAM
Black Coated	2		

Group Code	Version	Handle	Body	Cam
015	V	F	F	CC

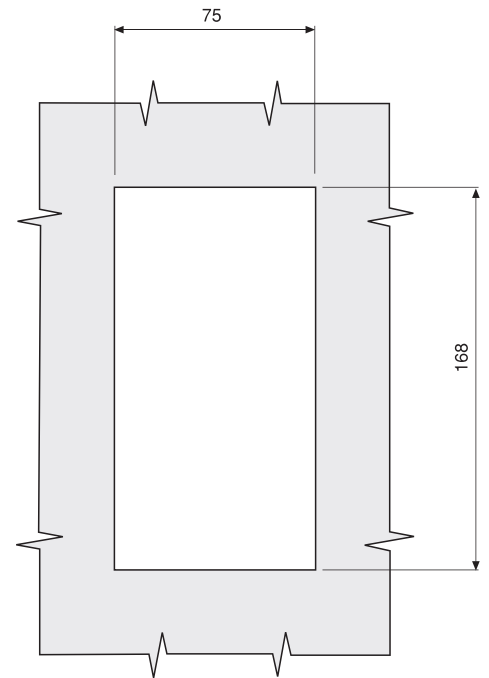
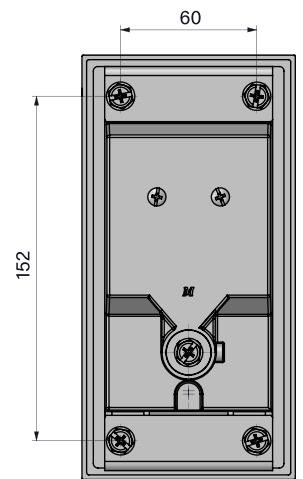
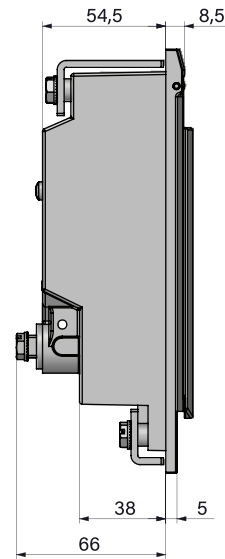
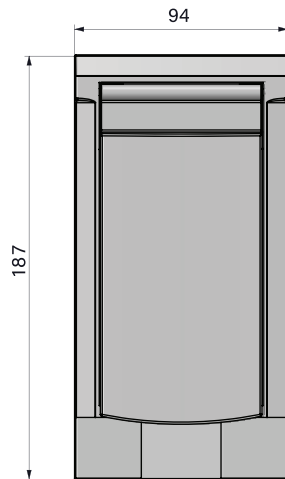
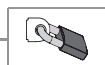
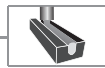


 For cams please check pages: 172 - 173

HEAVY-DUTY LOCKS

T HANDLE HEAVY-DUTY LOCK

018



Cut Out

- Especially designed for medium voltage panels
- Foam gasketing provides sealing
- Maximum padlock shackle diameter 9 mm
- For customised cam and colours contact Essentra

MATERIAL

BODY: Aluminium
 COVER: Aluminium
 HANDLE: Zamak DIN-EN 1774-ZnAl4Cu1
 PIN: Stainless steel
 PADLOCK HASP: Zamak

SPECIFICATIONS		DD
Keyed alike		01
Keyed differ		02

Group Code	Material	Finish	Cam
018	6	2	00

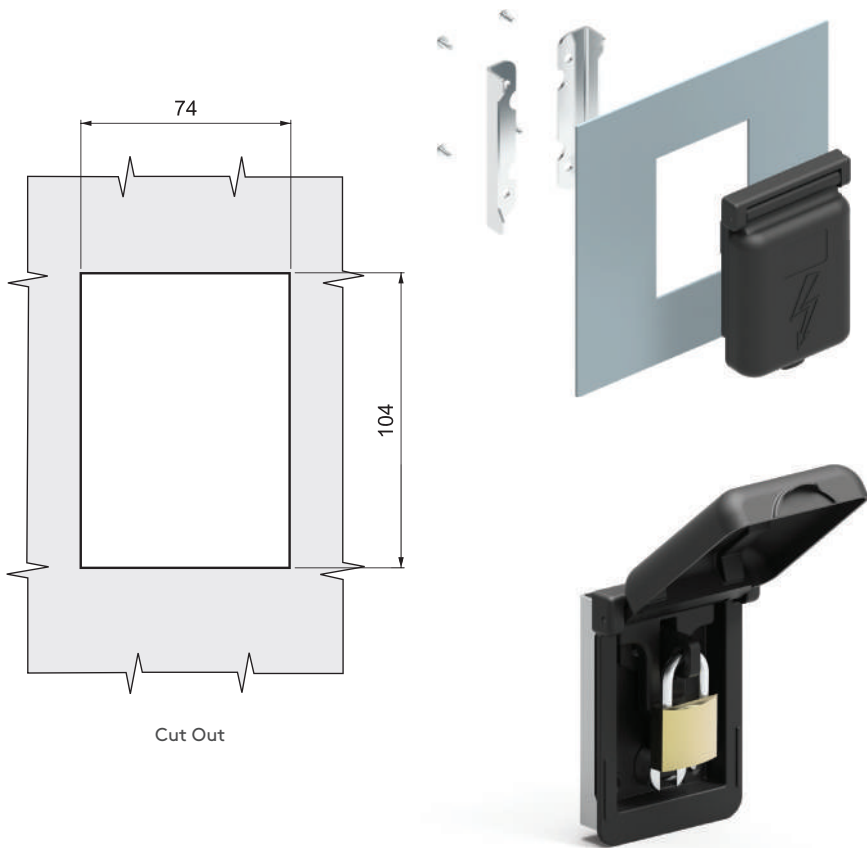
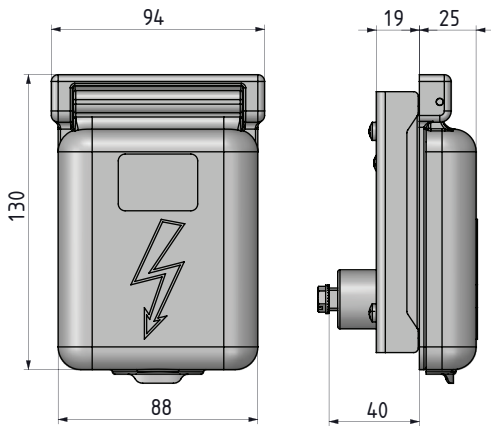
No cylinder version code system

Group Code	Version	Material	Finish	Cylinder	Cam
018	2	6	2	DD	00

Cylinder version code system

118

T HANDLE HEAVY-DUTY LOCK



- For low voltage cabinets
- Optional polyurethane gasketing
- Maximum padlock shackle diameter 10 mm
- Option to be supplied without painting or plating
- For customised caam contact Essentra

MATERIAL

BODY:	Aluminium
COVER:	Aluminium
HANDLE:	Zamak DIN-EN 1774-ZnAl4Cu1
PAD LOCK HASP:	Aluminium

FINISH	F
No Finish	0
Black Coated	2

Group Code	Material	Finish	Cam
118	6	F	00



118-125



126-130



127



131



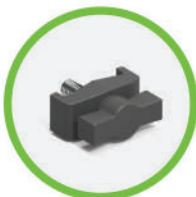
132-133



134-135



136



137



138



139



140



141



142



143



144-145



146



147



148



149



150-159



156-157



160



160



161



161



162



163



164



165



166



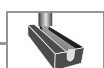
MISCELLANEOUS PRODUCTS

116-167



HVAC LOCK

112



- Ergonomic and stylish design
- Quick fixing
- Secure locking
- Adjustable grip length
- Suitable for outward swing doors

MATERIAL

BODY: Polyamide DIN-EN ISO 1043-1 PA6 GFR 30
 HANDLE: PA6 GFR 30
 CAM: Steel - PA6 GFR 30
 SEAL: Polyurethane

⚠ This product can be produced as anti-bacterial with PA6 GFR 30% + 6% content. The raw material used has been tested in the DIN EN ISO 846 standard.

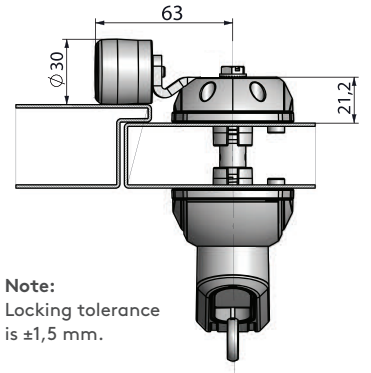
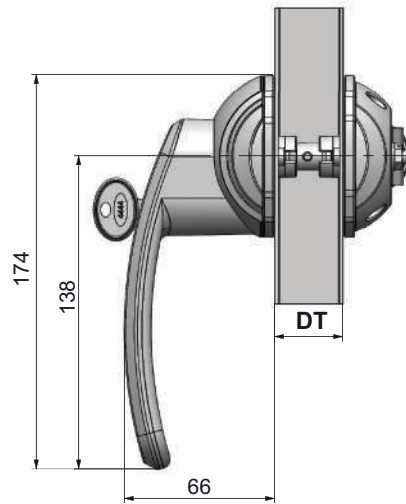


No cylinder

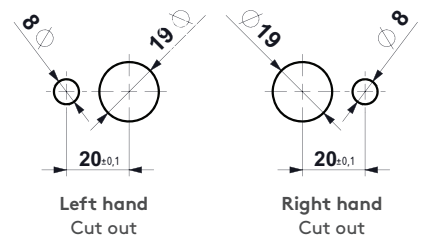
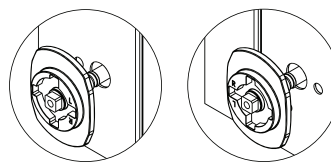
Driver



Padlock application



Note:
Locking tolerance is $\pm 1,5$ mm.



Left hand Cut out

Right hand Cut out

For different door thicknesses, please contact our sales team



- 1: Handle
- 2: Shaft unit
- 3: Roller cam
- 4: Safety cam (Optional - 112A3CH01)
- 5: Lever handle (Optional - 112A101)
- 6: Safety interior handle (Optional - 112A2)

30
40
50
60
70
80

CYLINDER TYPE	DD
No Cylinder	00
Keyed alike (Stainless steel dust cap)	03
Keyed differ (Stainless steel dust cap)	32
Euro key (5333)	05

DRIVER TYPE	DD
8 mm Square	28
10 mm Square	20
7 mm Triangular	37
8 mm Hexagon	68

- For cams please check pages: 122
- For accessories pages 123 - 124
- For keys please check pages: 124

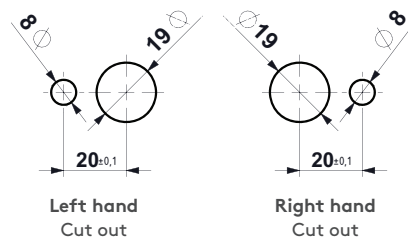
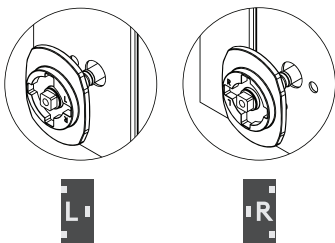
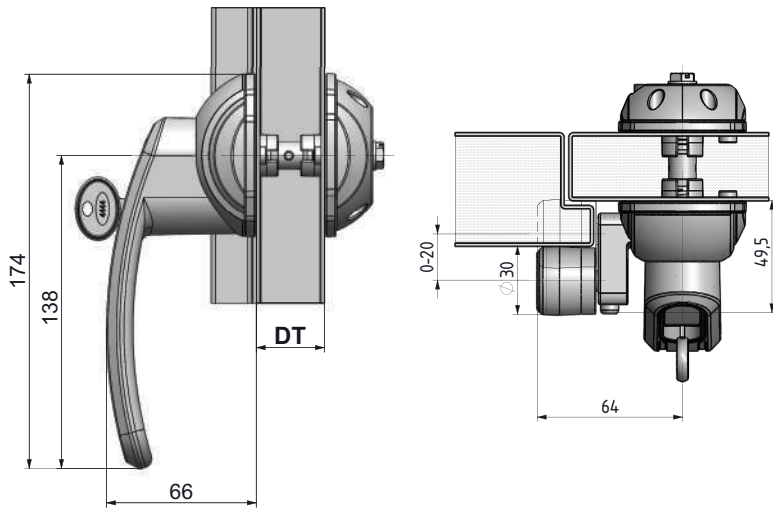
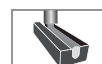
Group Code	Version	Door thickness	Cylinder Driver	Cam	For only padlock*
112	1	DT	DD	CC	

*: add "1" for padlock application



112

HVAC LOCK



For different door thicknesses, please contact our sales team



30
40
50
60
70
80

- 1: Handle
- 2: Shaft unit
- 3: Fixing device
- 4: Lever handle (Optional - 112A101)
- 5: Safety interior handle (Optional - 112A2)

DOOR DIRECTION	
Right hand	001
Left hand	002



- Ergonomic and stylish design
- Quick fixing
- Secure locking
- Adjustable grip length
- Suitable for inward swing doors

MATERIAL

BODY: Polyamide DIN-EN ISO 1043-1 PA6 GFR 30
HANDLE: PA6 GFR 30
CAM: Steel - PA6 GFR 30
SEAL: Polyurethane



No cylinder

Driver



Padlock application

CYLINDER TYPE	DD
No Cylinder	00
Keyed alike (Stainless steel dust cap)	03
Keyed differ (Stainless steel dust cap)	32
Euro key (5333)	05

DRIVER TYPE	DD
8 mm Square	28
10 mm Square	20
7 mm Triangular	37
8 mm Hexagon	68

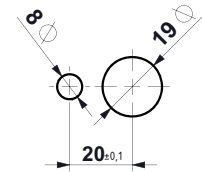
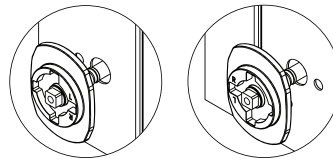
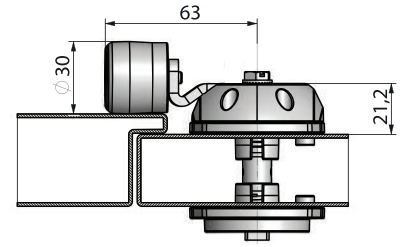
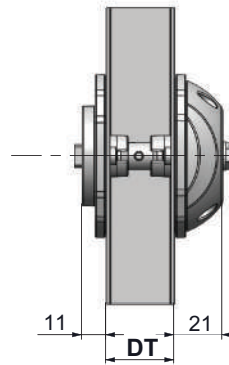
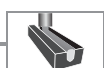
Group Code	Version	Door thickness	Cylinder Driver	Cam	For only padlock*	Door Direction
112	2	DT	DD	CC		

*: add "1" for padlock application

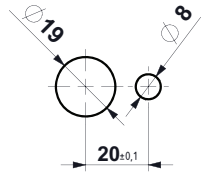
- For cams please check pages: 122
- For accessories pages 123 - 124
- For keys please check pages: 124

HVAC LOCK

112



Left hand
Cut out



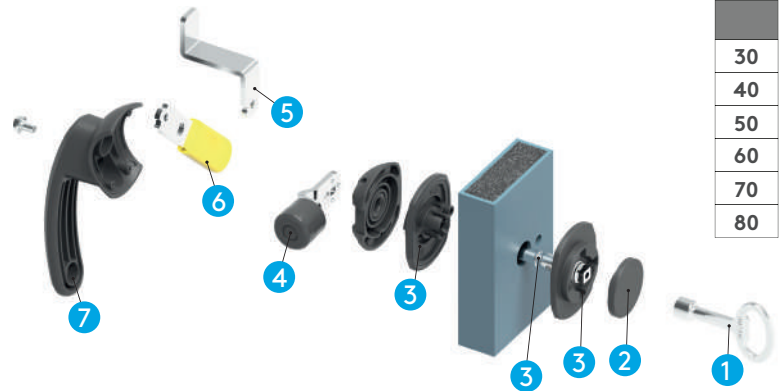
Right hand
Cut out

- No handle application
- Quick fixing
- Secure locking
- Adjustable grip length

MATERIAL

BODY: Polyamide DIN-EN ISO 1043-1 PA6 GFR 30
 CAM: Steel – PA6 GFR 30
 SHAFT: Steel
 SEAL: Polyurethane

For different door thicknesses, please contact our sales team

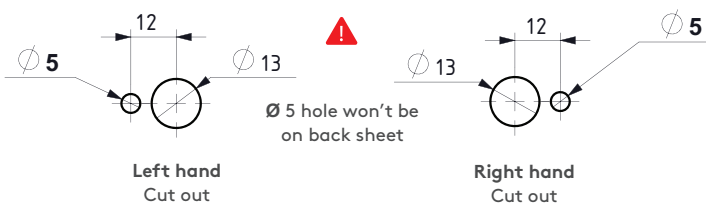
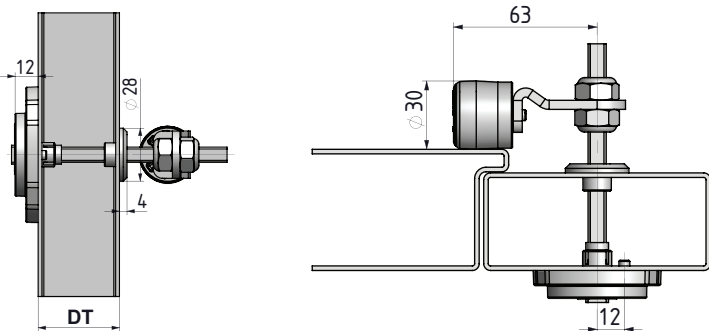


30
40
50
60
70
80

- 1: Key (36820)
- 2: Cover (Optional - 112A6)
- 3: Shaft unit
- 4: Roller cam
- 5: Safety cam (Optional - 112A3CH01)
- 6: Lever handle (Optional - 112A101)
- 7: Safety interior handle (Optional - 112A2)

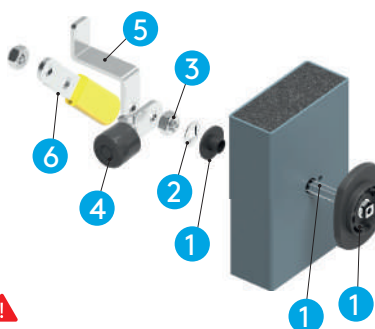
Group Code	Version	Door thickness	Cam
112	3	DT	CC

- For cams please check pages: 122
- For accessories pages: 123 - 124
- For keys please check pages: 124



For different door thicknesses, please contact our sales team

DOOR THICKNESS	DT
20 -50 mm thickness panel	01
50 -80 mm thickness panel	02



- 1: Shaft unit
- 2: Ring
- 3: Nut
- 4: Roller cam
- 5: Safety cam (Optional - 112A3CH02)
- 6: Lever handle (Optional - 112A102)

Group Code	Version	Door thickness	Cam
112	4	DT	CC

112

HVAC LOCK



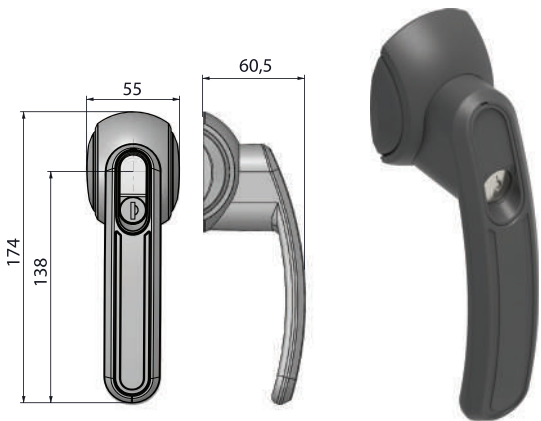
- No handle application
- Quick fixing
- Secure locking
- Adjustable grip length

MATERIAL

BODY: Polyamide DIN-EN ISO 1043-1 PA6 GFR 30
 CAM: Steel - PA6 GFR 30
 SHAFT: Steel
 SEAL: Polyurethane

- For cams please check pages: 122
- For accessories pages 123 - 124
- For keys please check pages: 124

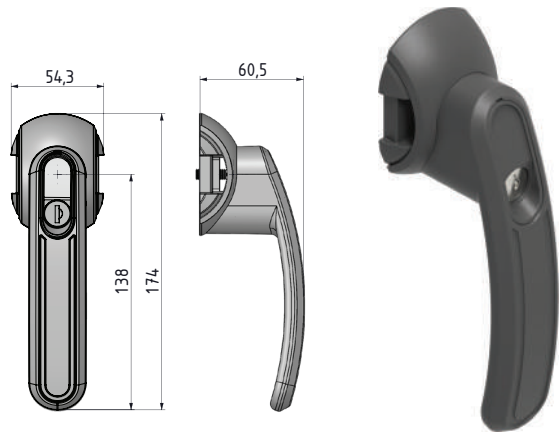
HANDLES



Suitable for outward swing doors

Group Code	Version	Cylinder Driver	For only padlock*
112H	1	DD	

*: add "1" for padlock application



Suitable for inward swing doors

Group Code	Version	Cylinder Driver	For only padlock*
112H	2	DD	

*: add "1" for padlock application



Handles can be ordered individually.
Shaft unit is not included.

CAMS



Fixed cam
(Round roller)



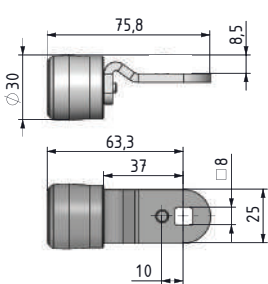
Fixed cam
(Triangle Roller)



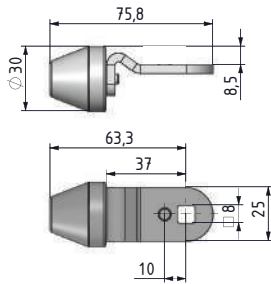
Adjustable cam
(Round roller)



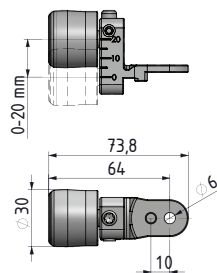
Adjustable cam
(Triangle Roller)



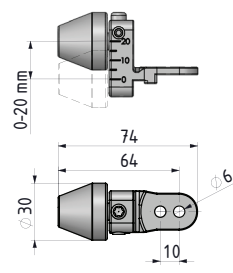
STOCK CODE	CC
112C01	01
* 112C11	11



STOCK CODE	CC
112C02	02
*112C12	12



STOCK CODE	CC
112C03	03



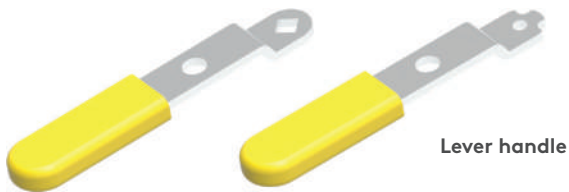
STOCK CODE	CC
112C04	04

*: For only multiple locking system

*: For only multiple locking system



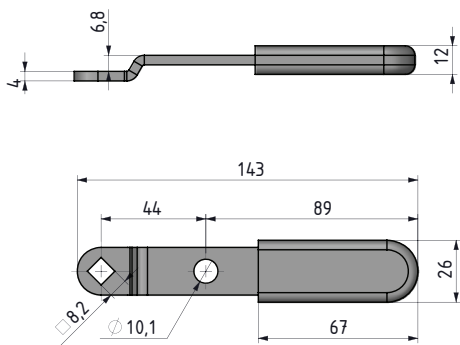
ACCESSORIES



Lever handle

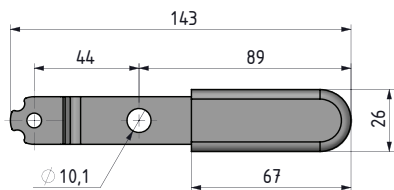


Safety cam



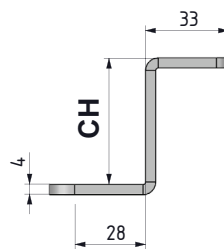
STOCK CODE
112A102

⚠ Only version 4 is used.

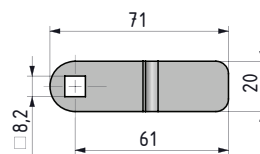


STOCK CODE
112A101

Only version 1.2.3 is used.

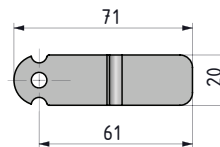


CH
25
50
75
100



STOCK CODE
112A3CH02

⚠ Only version 4 is used.

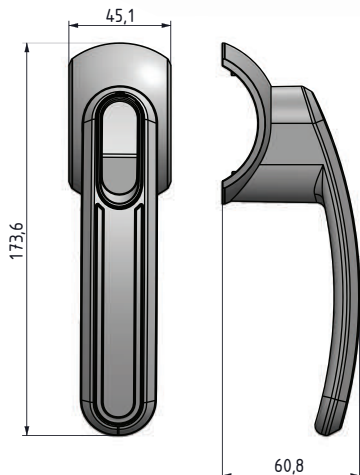


STOCK CODE
112A3CH01

Only version 1.2.3 is used.



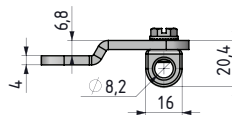
Safety interior handle



STOCK CODE
112A2

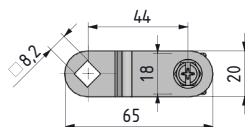


Multiple locking unit



STOCK CODE
112A502

⚠ Only version 4 is used.



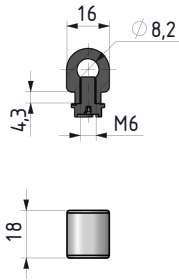
STOCK CODE
112A501

Only version 1.2.3 is used.

ACCESSORIES



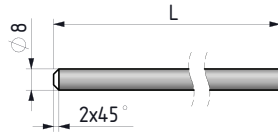
Rod adapter



STOCK CODE
112A4



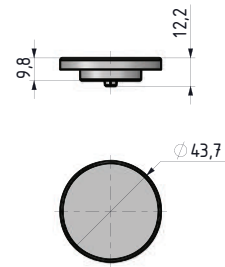
Rod



GROUP CODE	LENGTH
112IC	L



Cover



STOCK CODE
112A6

KEYS



8 mm Square

STOCK CODE
36828



10 mm Square

STOCK CODE
36820



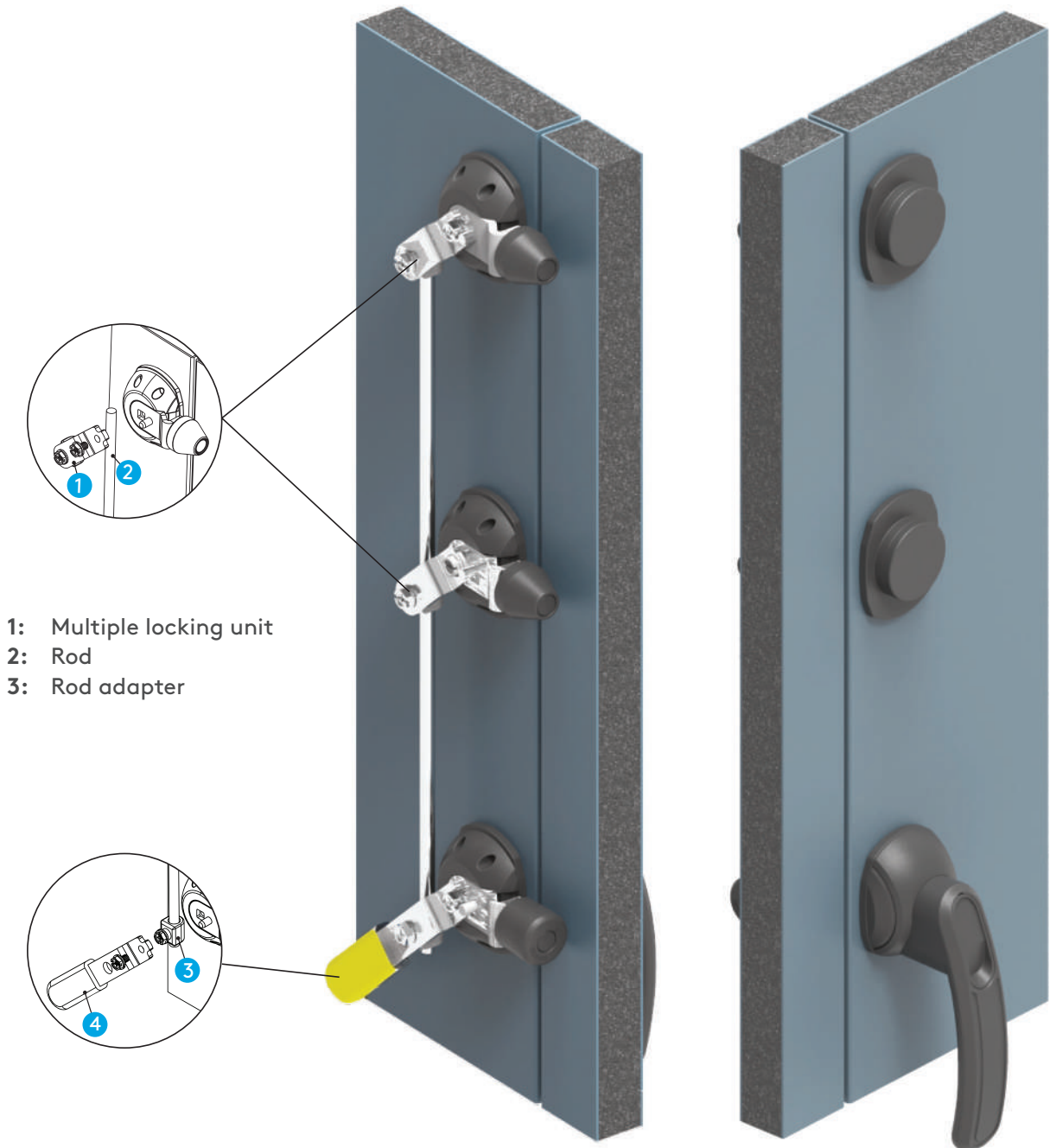
7 mm Triangular

STOCK CODE
36837



8 mm Hexagon

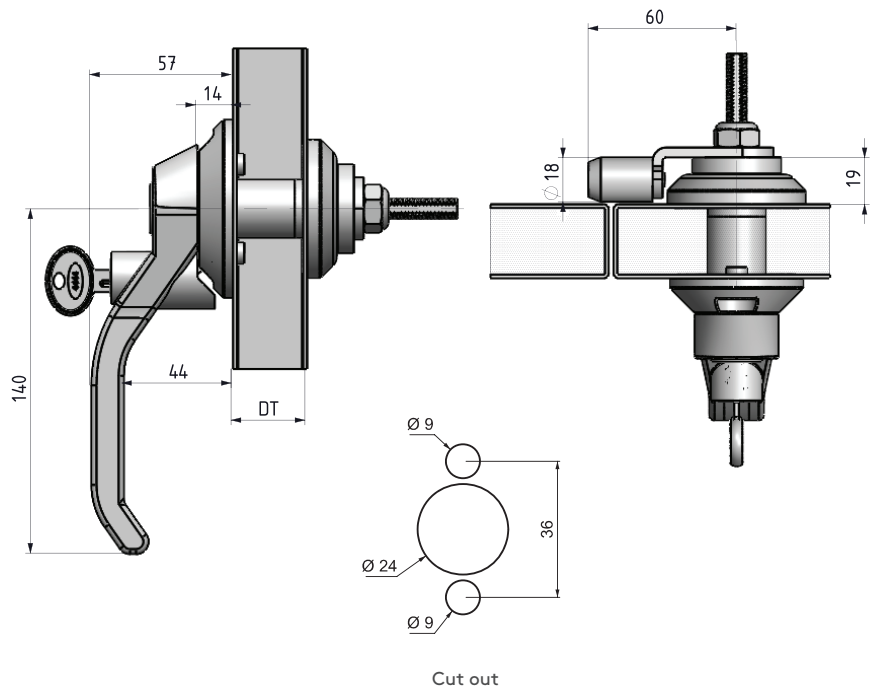
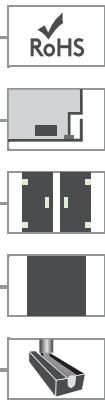
STOCK CODE
36868

MULTIPOINT LOCKING SYSTEM

Customizable solutions in multi-point locking system by bespoke rod dimensions are upon request. Please contact our sales team for your technical inquiries (Sample application in image).

HVAC LOCK

012

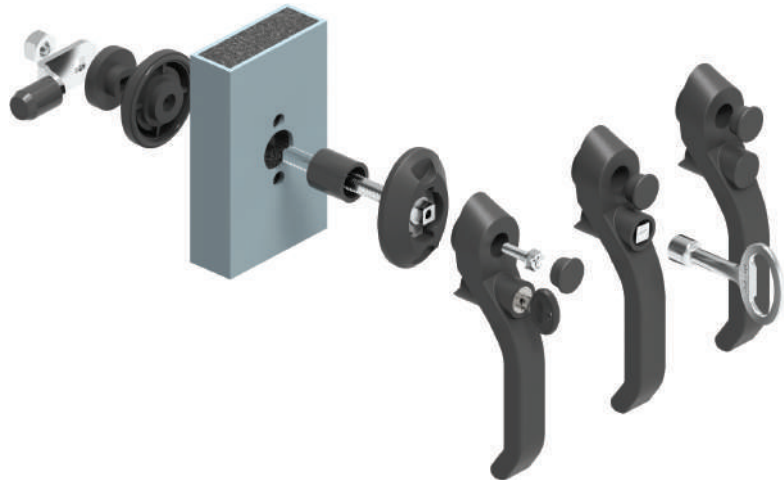


- Removable handle for easy assembly on site
- Roller cam requires less force for locking
- With or without cylinder and driver available
- Can be used for different door thicknesses
- Internal handle available for opening door from inside for safety purposes

MATERIAL

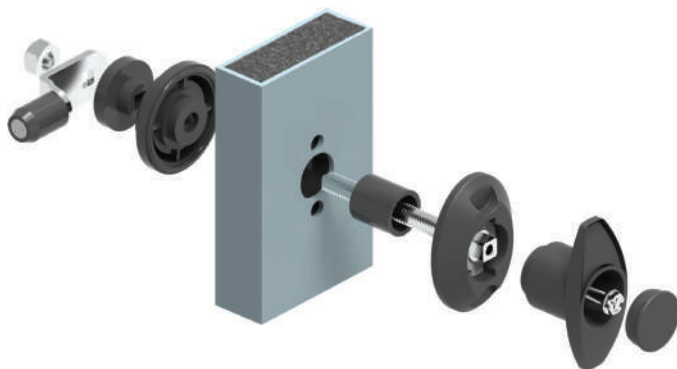
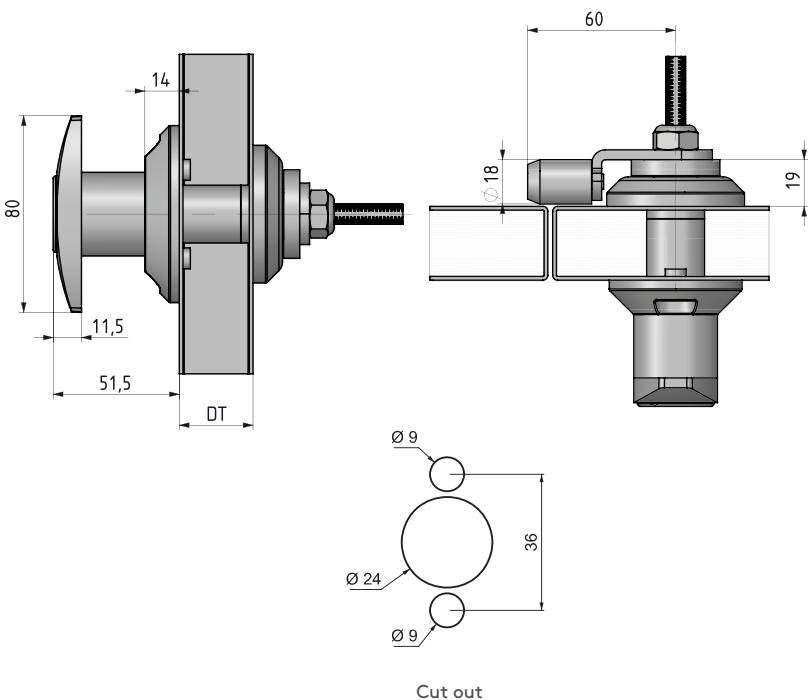
BODY: Polyamide DIN-EN ISO 1043-1 PA6 GFR 30
 HANDLE: Polyamide DIN-EN ISO 1043-1 PA6 GFR 30
 CAM: Steel

⚠ This product can be produced as anti-bacterial with PA6 GFR 30% + 6% content. The raw material used has been tested in the DIN EN ISO 846 standard.



	CYLINDER		DRIVER		DT
		DD			
	No cylinder	00	10 mm Square		30
	Keyed alike (Stainless steel dust cap)	03			40
	Keyed differ (Stainless steel dust cap)	32	DD		50
	Euro key (5333)	05	20		60
	CH751 (Stainless steel dust cap)	07			80

Group Code	Version	Door thickness	Cylinder Driver	Cam
012	1	DT	DD	CC



012

HVAC LOCK



- Roller cam requires less force for locking
- Without-cylinder version
- Can be used for different door thicknesses
- Compact design requires less space

MATERIAL

BODY: Polyamide DIN-EN ISO 1043-1 PA6 GFR 30
 HANDLE: Polyamide DIN-EN ISO 1043-1 PA6 GFR 30
 CAM: Steel
 ADJUSTABLE SCREW: Steel

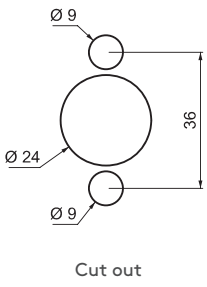
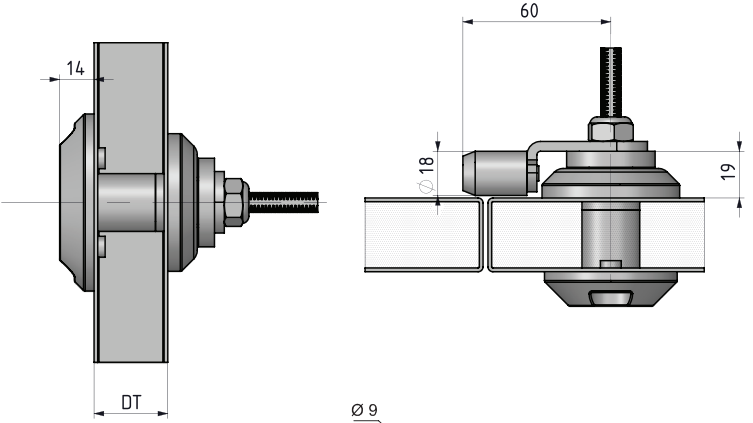
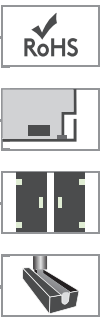
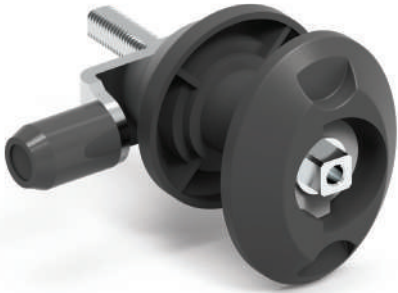
Group Code	Version	Door thickness	Cylinder	Cam
012	3	DT	00	CC

DT
30
40
50
60
80

MISCELLANEOUS PRODUCTS

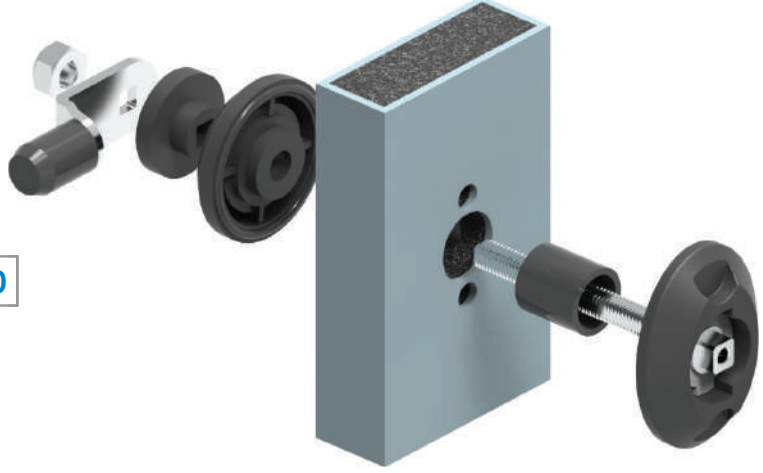
HVAC LOCK

012



• Can be operated without handle

MATERIAL
 BODY: Polyamide DIN-EN ISO 1043-1 PA6 GFR 30
 CAM: Steel
 ADJUSTABLE SCREW: Steel



METAL KEY

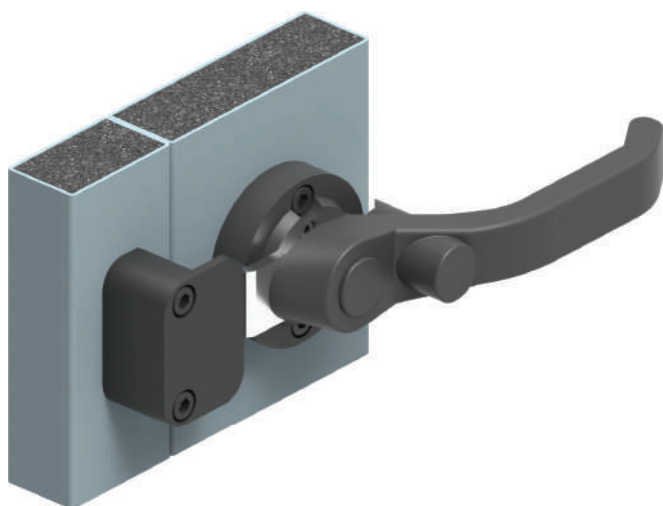
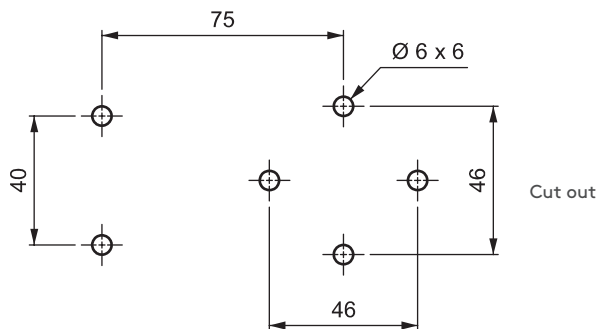
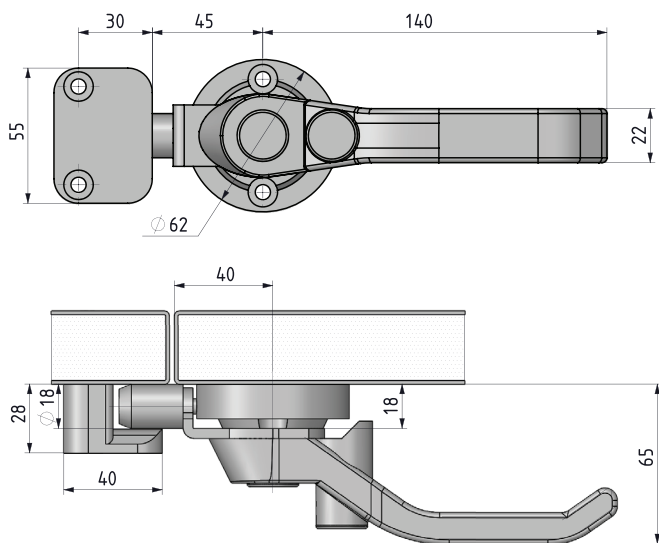
368.20



MATERIAL
 Zamak DIN-EN 1774-ZnAl4Cu1

FINISH
 Chrome plated

Group Code	Version	Door thickness	Cam	DT
012	4	DT	01	30
				40
				50
				60
				80



012

HVAC LOCK



- Outside locking system provides safety for pressurised doors
- Roller cam requires less force for locking
- Can be used for different door thicknesses

MATERIAL

BODY: Polyamide DIN-EN ISO 1043-1 PA6 GFR 30
 HANDLE: Polyamide DIN-EN ISO 1043-1 PA6 GFR 30
 CAM: Steel

012 A2

STRIKING PLATE



MATERIAL

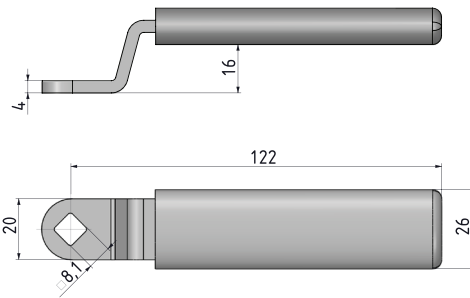
Zamak DIN-EN 1774-ZnAl4Cu1

Group Code	Version	Cylinder	Cam
012	2	00	01

MISCELLANEOUS PRODUCTS

LEVER HANDLE

012 A1



- Lever handle is optional accessory
- Can only be used when external handle is at unlocking position

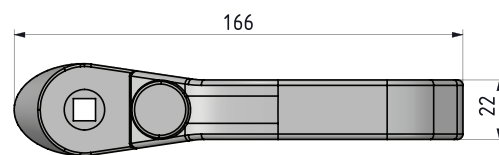
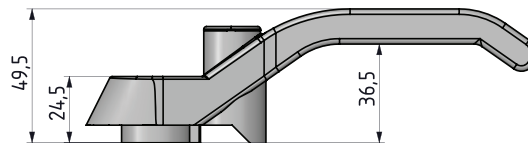
MATERIAL
Steel

FINISH
Polyamide overmould

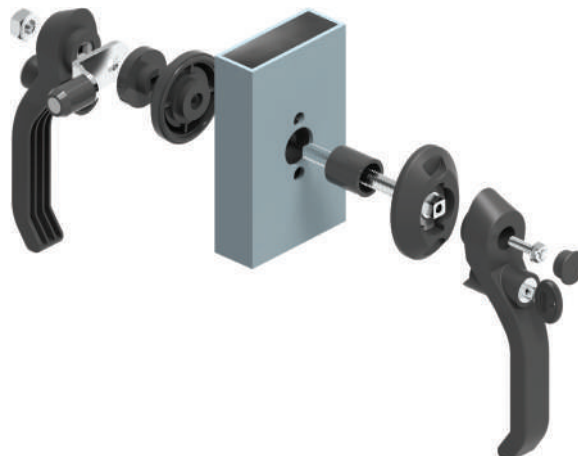


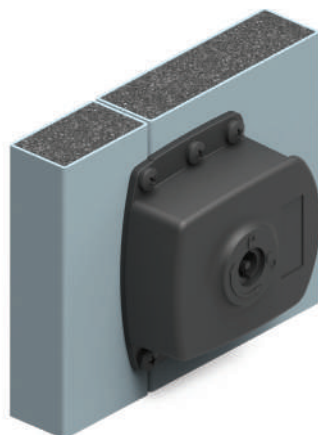
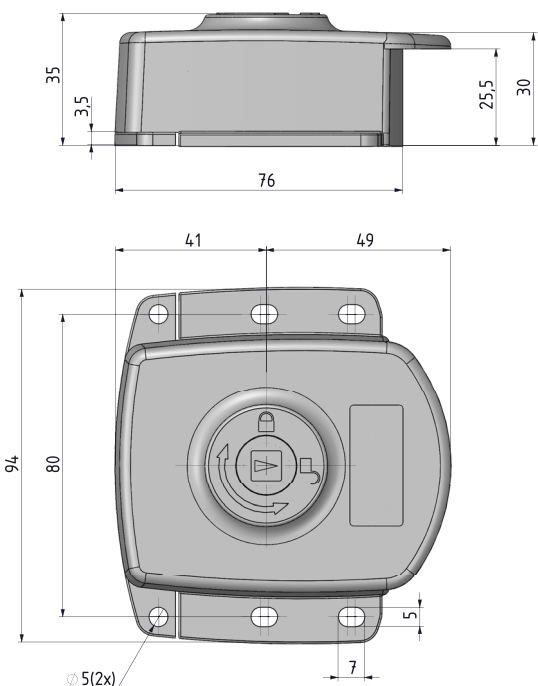
INTERNAL SAFETY HANDLE

012 A3



MATERIAL
Polyamide DIN-EN ISO
1043-1 PA6 GFR 30





612

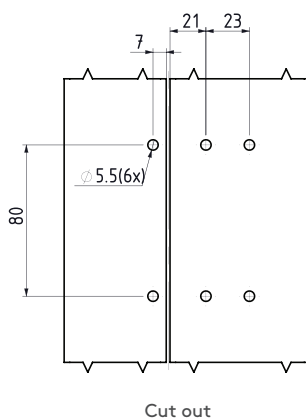
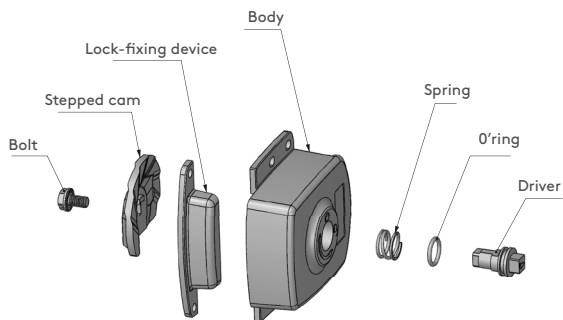
HVAC LOCK



- Outside locking system provides safety for pressurised doors
- For logo application please contact Essentra

MATERIAL

BODY: Zamak DIN-EN 1774-ZnAl4Cu1
 DRIVER: Zamak DIN-EN 1774-ZnAl4Cu1



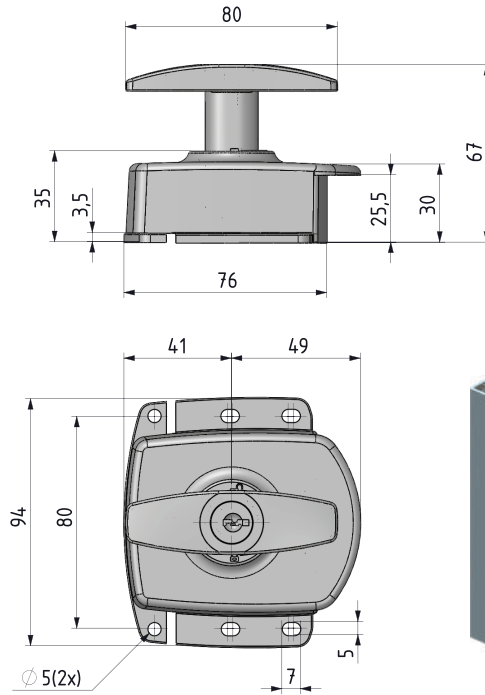
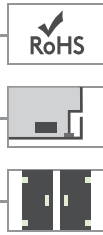
MATERIAL	M	FINISH	F
Zamak	1	Chrome plated	1
		Black coated	2

Group Code	Body	Driver	Driver No
612	1 2	1 F	DD

For drivers please check page: 194

HVAC LOCK 'T' HANDLE

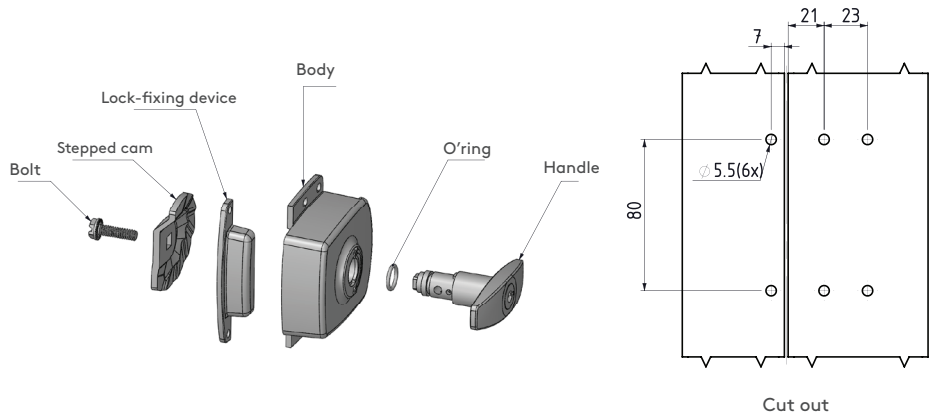
612




• Outside locking system provides safety for pressurised doors

MATERIAL

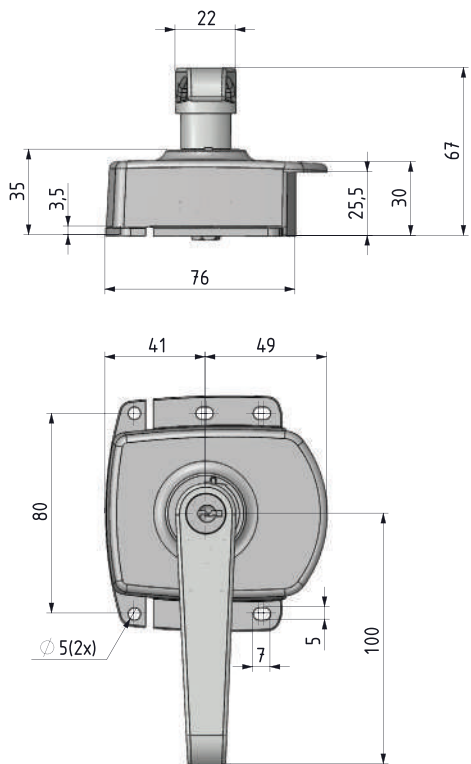
BODY: Zamak DIN-EN 1774-ZnAl4Cu1
HANDLE: Zamak DIN-EN 1774-ZnAl4C or PA6 GFR 30



CYLINDER	SPECIFICATIONS	DD
	No Cylinder	00
	Keyed alike (Stainless steel dust cap)	03
	Keyed differ (Stainless steel dust cap)	32
	Euro key (5333)	05
	CH751 (Stainless steel dust cap)Euro key (5333)	07

MATERIAL	M	FINISH	F
Zamak	1	Chrome plated	1
		Black coated	2
Plastic	2	No finish	0

Group Code	Handle	Body	Handle	Cylinder
612	110	1 2	M F	DD



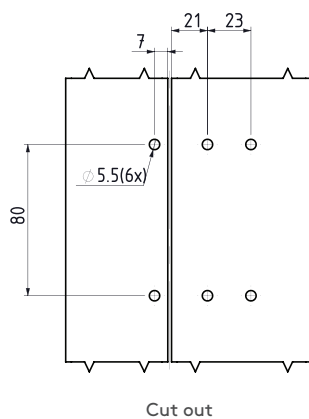
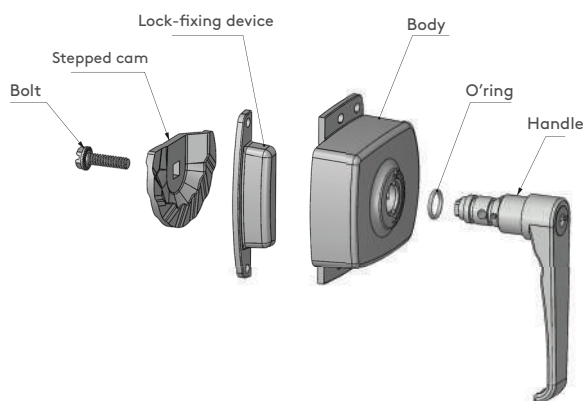
612


HVAC LOCK 'L' HANDLE



• Outside locking system provides safety for pressurised doors

BODY: Zamak DIN-EN 1774-ZnAl4Cu1
HANDLE: Zamak DIN-EN 1774-ZnAl4C or PA6 GFR 30

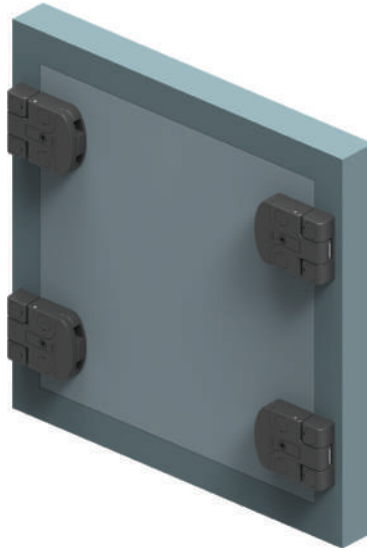


CYLINDER	SPECIFICATIONS	DD
	No Cylinder	00
	Keyed alike (Stainless steel dust cap)	03
	Keyed differ (Stainless steel dust cap)	32
	Euro key (5333)	05
	CH751 (Stainless steel dust cap)Euro key (5333)	07

MATERIAL	M	FINISH	F
Zamak	1	Chrome plated	1
		Black coated	2
Plastic	2	No finish	0

Group Code	Handle	Body	Handle	Cylinder
612	111	1 2	M F	DD

FUNCTIONAL LOCKING HINGE

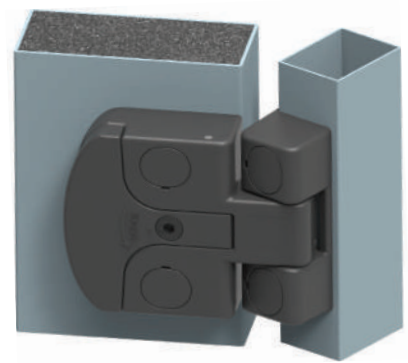


Assembly:

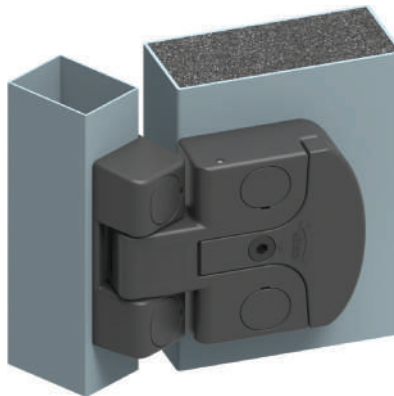
Functional locking hinge can be mounted left or right side of the door.

One side function as a hinge the other function as a lock

Right cover application:
right hinge - left lock

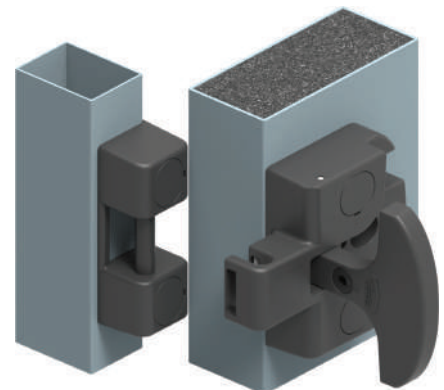


Left cover application:
left hinge - right lock



Removing the door

- Lift the handle
- Remove the door.



712

FUNCTIONAL LOCKING HINGE



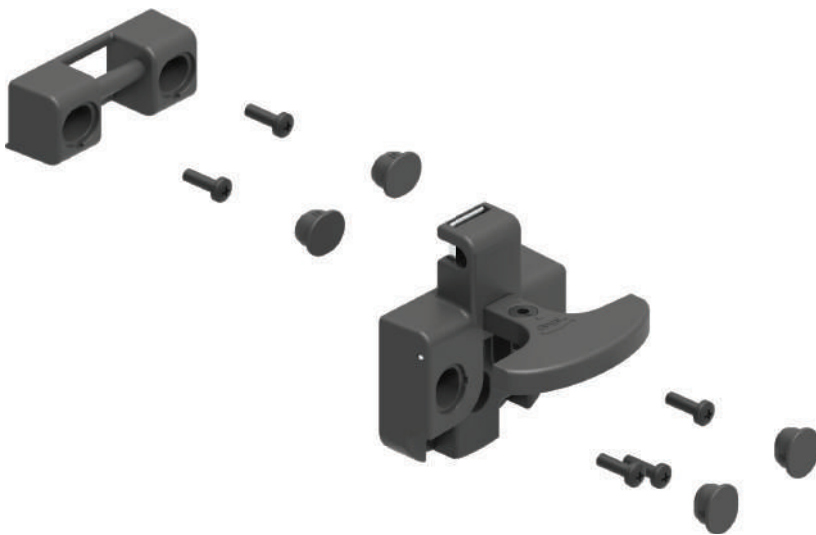
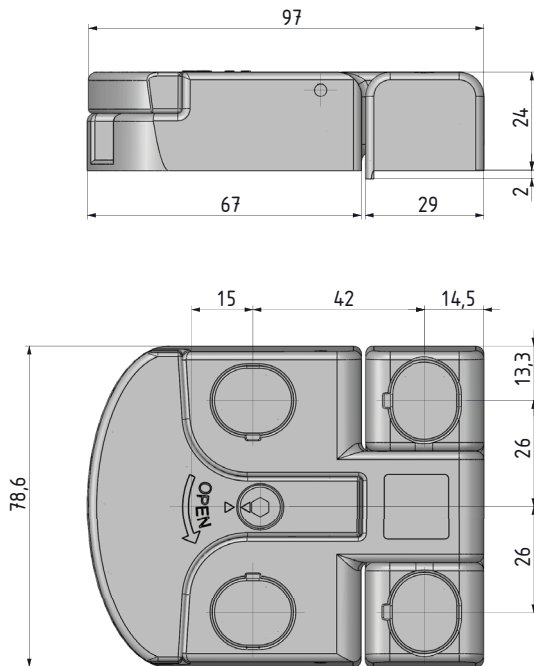
- Lock can also be used as hinge
- Door can be completely removed by unlocking the both products

MATERIAL

BODY: Polyamide DIN-EN ISO 1043-1 PA6 GFR 30
HANDLE: Polyamide DIN-EN ISO 1043-1 PA6 GFR 30
DRIVER: Steel
CATCH PLATE: Polyamide DIN-EN ISO 1043-1 PA6 GFR 30



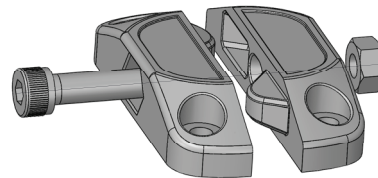
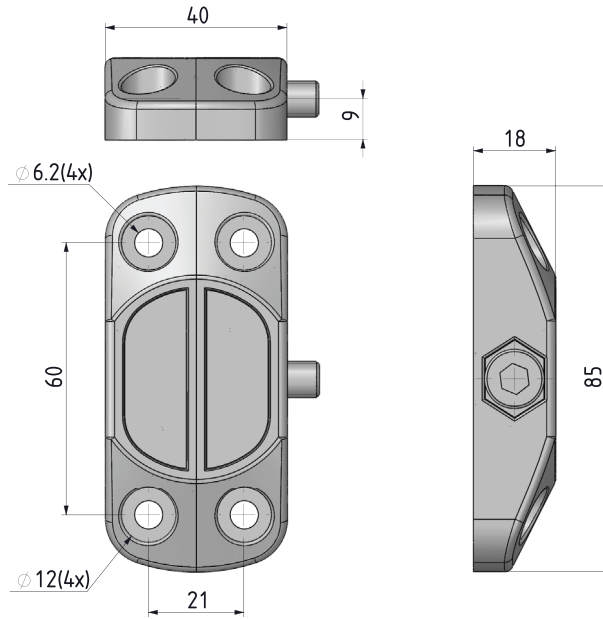
This product can be produced as anti-bacterial with PA6 GFR 30% + 6% content. The raw material used has been tested in the DIN EN ISO 846 standard.



Group Code	Material	Finish
712	2	0

CLAMPS (3D)

078



- Available in all die-cast zinc alloy
- 3D capability
- High mechanical resistance

MATERIAL

BODY: Zamak DIN-EN 1774-ZnAl4Cu1 or PA6 GFR 30

BOLT: Steel
NUT: Steel

FINISH

Zinc plated or black coated

⚠ Note: Bolts are not supplied

⚠ This product can be produced as anti-bacterial with PA6 GFR 30% + 6% content. The raw material used has been tested in the DIN EN ISO 846 standard.

Group Code	Material	Finish
078	M	F

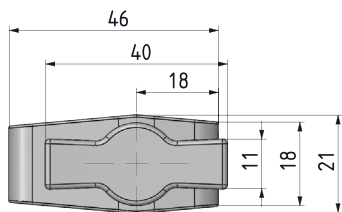
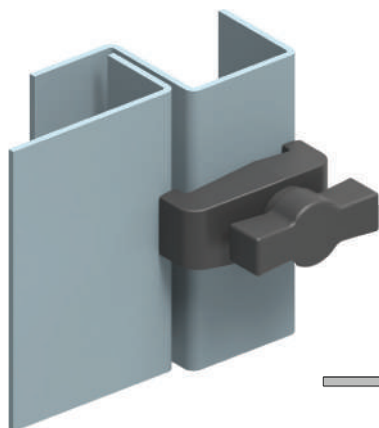
MATERIAL	M	FINISH	F
Zamak	1	Chrome plated	1
		Black coated	2
Plastic	2	No finish	0



462

BRIDGE CLAMP SYSTEM

V:1



MATERIAL

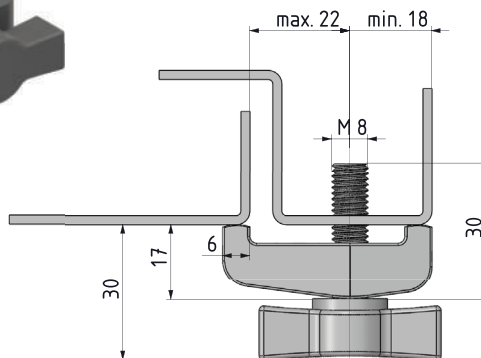
HOUSING: PA6 GFR 30

KNOB: PA6 GFR 30

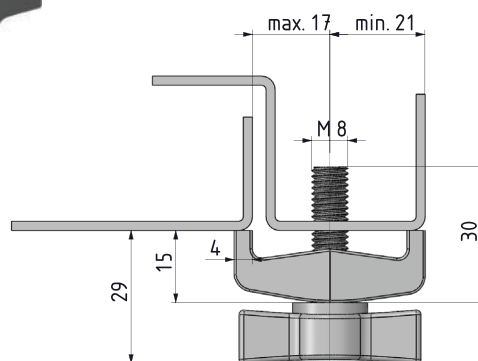
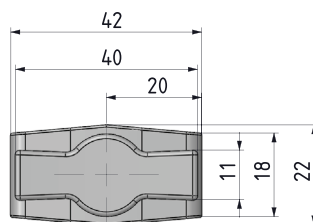
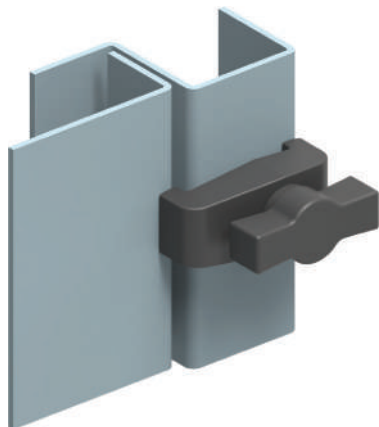
SCREW: Steel



This product can be produced as anti-bacterial with PA6 GFR 30% + 6% content. The raw material used has been tested in the DIN EN ISO 846 standard.



V:2

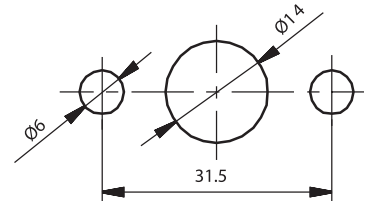
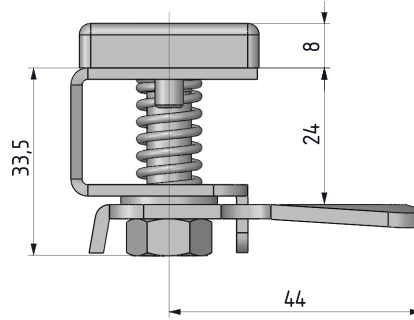
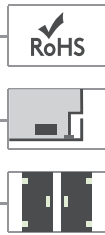


Group Code	Version
462	V

MISCELLANEOUS PRODUCTS

PANEL LOCK WITH HEXAGONAL HEAD

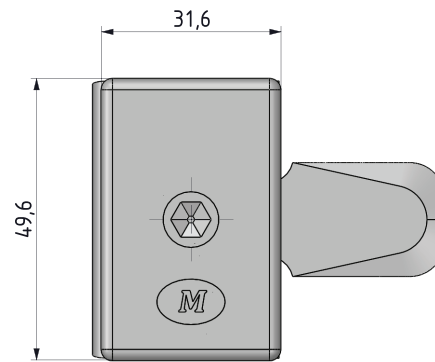
075



Cut out

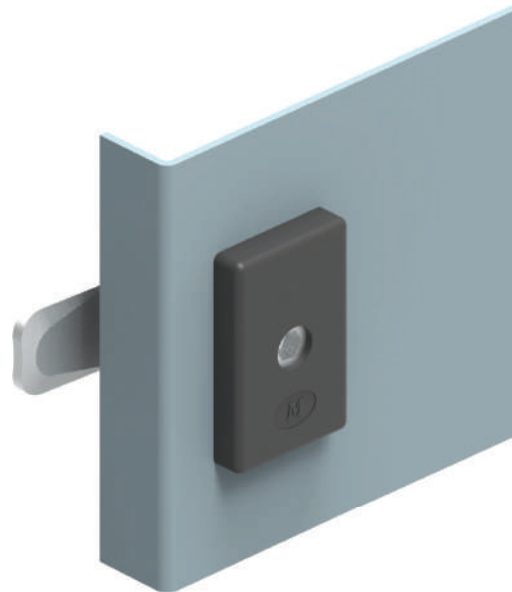
MATERIAL

BODY: Steel
CAM: Steel
COVER: Plastic



ALLEN KEY

669-66



Group Code	Door Direction
075	

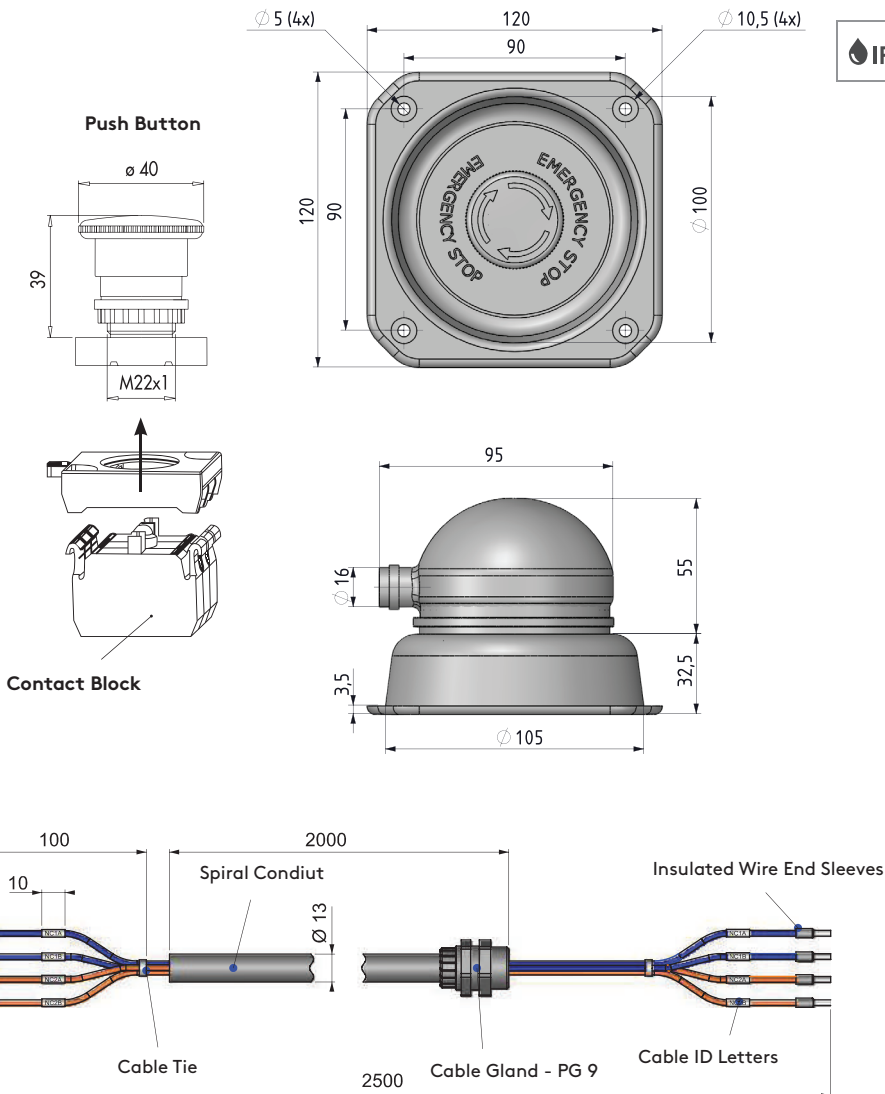
DOOR DIRECTION	
Right hand	001
Left hand	002



3501

EMERGENCY STOP BUTTON

IP 65



- Easy to install
- Different contact options (max. 3 contact)
- Standard wire length is 2.5 m
Standard conduit length is 2 m

MATERIAL

BOWL: Polyamid DIN-EN ISO 1043-1 PA6 GFR 30
 PROTECTIVE COVER: PVC
 GASKET: EPDM
 SPIRAL CONDUIT: PA6
 CABLE GLAND: PA66

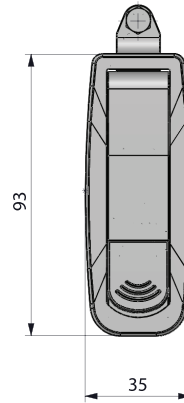
BUTTON SPECIFICATIONS

Mechanical Life : 500.000 operations min.
 Electrical Life : 100.000 operations min.
 Operating Temperature : min./max. °C -5/+40
 Protection Degree : IP65
 Operating Frequency : Without load 3000 oper./hour - At full load 1200 oper./hour
 Rated Operating Voltage Ue : 230 V AC
 Rated Operating Current Ie : 4 A
 Insulation Voltage Ui : 300 V
 Stroke Resistance Voltage Uimp : 2.5 kV
 Standard Contact Material : AgNi
 Insulation Resistance : 10 MΩ min. (500 V DC)
 Dielectrical Strength :
 Between body-contact: 2000 V AC
 Open contact : 1500 V AC
 Connection Cable Cross-Section : 1.5-2.5 mm²
 Standard : UL 508/TS EN 60947-5-1/ VDE0660/IEC 60393-1

Contact Block Type		Product Code	
Normally Open	Normally Closed	LED	3501.V
-	1	-	3501.1
-	2	-	3501.2
1	1	-	3501.3
1	-	-	3501.4
2	-	-	3501.5
-	1	Fixed	3501.1.1
-	1	Flash	3501.1.2
-	2	Fixed	3501.2.1
-	2	Flash	3501.2.2
1	1	Fixed	3501.3.1
1	1	Flash	3501.3.2
1	-	Fixed	3501.4.1
1	-	Flash	3501.4.2
2	-	Fixed	3501.5.1
2	-	Flash	3501.5.2

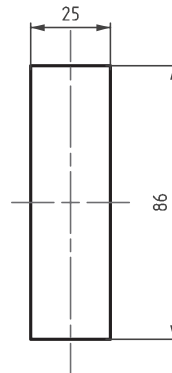
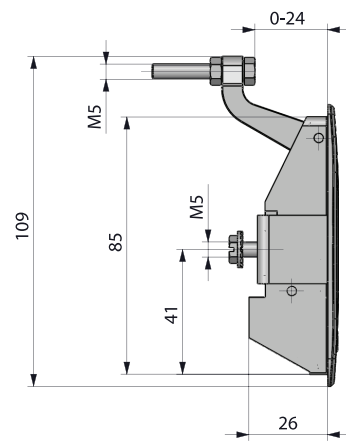
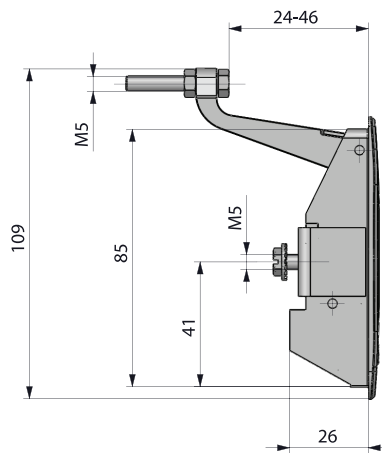
COMPRESSION TRIGGER LOCK

077



V: 1

V: 2



Cut out



- Flush trigger design
- Available with or without cylinder
- 0-24mm or 24-46mm adjustable grip range
- Suitable for panel thickness of ≤ 2 mm
- Assemble lock with one fixing bracket

MATERIAL

BODY: Zamak DIN-EN 1774-ZnAl4Cu1
 HANDLE: Zamak DIN-EN 1774-ZnAl4Cu1
 FIXING BRACKET: Steel

SPECIFICATIONS		DD
No cylinder		00
Keyed alike (Stainless steel dust cap)		03
Keyed differ (Stainless steel dust cap)		32
Euro key (5333)		05
CH751 (Stainless steel dust cap)		07

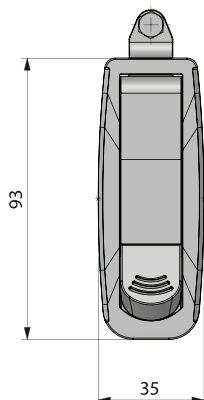
FINISH		F
Chrome plated		1
Black coated		2

Group Code	Version	Finish	Cylinder
077	V	F	DD



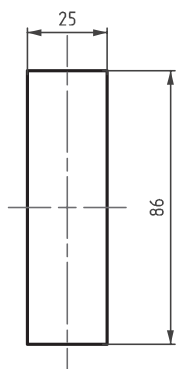
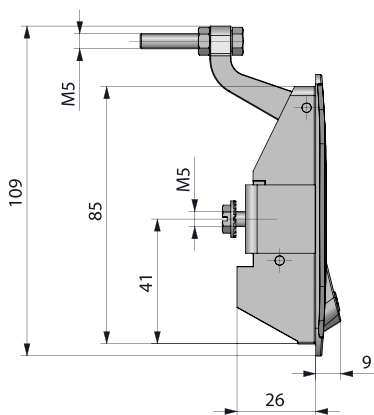
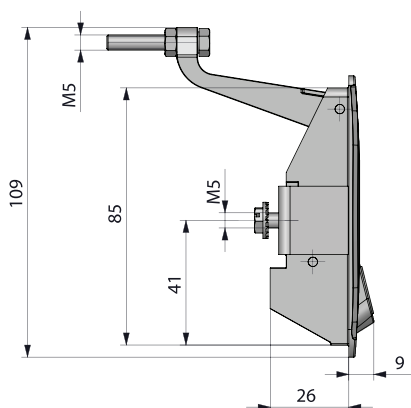
177

COMPRESSION TRIGGER LOCK

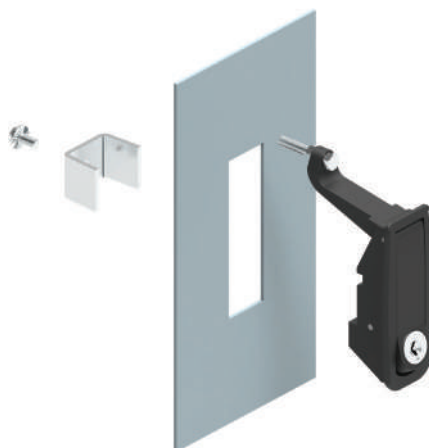


V:1

V:2



Cut out



- Raised trigger design
- Available with or without cylinder
- 0-24mm or 24-46mm adjustable grip range
- Suitable for panel thickness of ≤2mm
- Assemble lock with one fixing bracket

MATERIAL

BODY: Zamak DIN-EN 1774-ZnAl4Cu1
 HANDLE: Zamak DIN-EN 1774-ZnAl4Cu1
 FIXING BRACKET: Steel

SPECIFICATIONS		DD
No cylinder		00
Keyed alike (Stainless steel dust cap)		03
Keyed differ (Stainless steel dust cap)		32
Euro key (5333)		05
CH751 (Stainless steel dust cap)		07

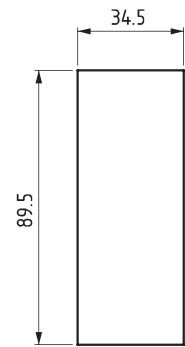
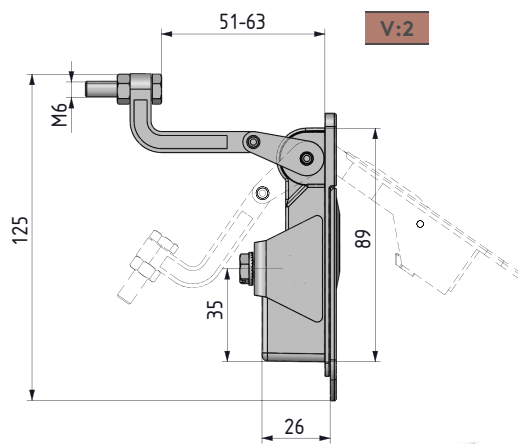
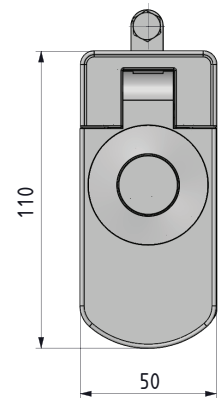
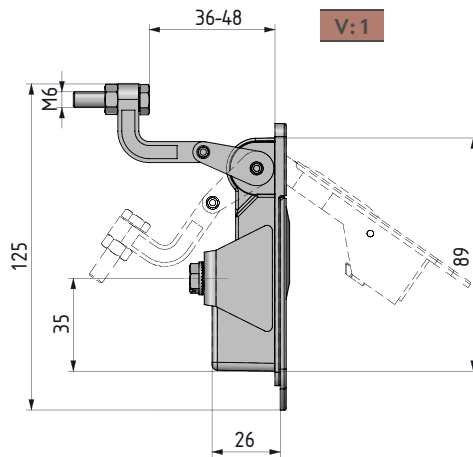
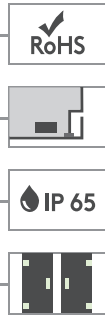
FINISH		F
Chrome plated		1
Black coated		2

DRIVER	
Slot	
DD	
42	

Group Code	Version	Finish	Cylinder Driver
177	V	F	DD

COMPRESSION TRIGGER LOCK

377



Cut out




- Available with or without cylinder
- 36 - 48 mm or 51 - 63 mm adjustable grip range
- Suitable for maximum 2 mm door thickness
- Assemble by only one bracket

MATERIAL

BODY: Zamak DIN-EN 1774-ZnAl4Cu1
 HANDLE: Zamak DIN-EN 1774-ZnAl4Cu1
 FIXING BRACKET: Steel

CYLINDER	DD
No cylinder	00
Keyed alike (Stainless steel dust cap)	03
Keyed differ (Stainless steel dust cap)	32
Euro key (5333)	05
CH751 (Stainless steel dust cap)	07

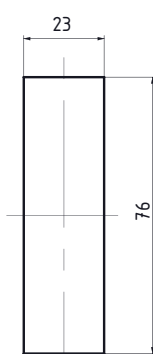
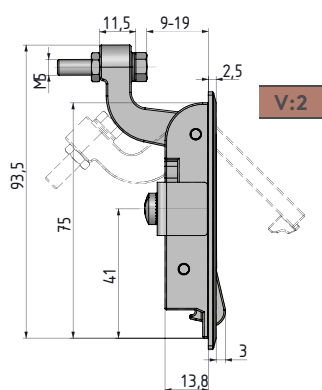
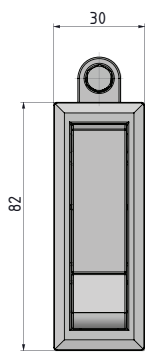
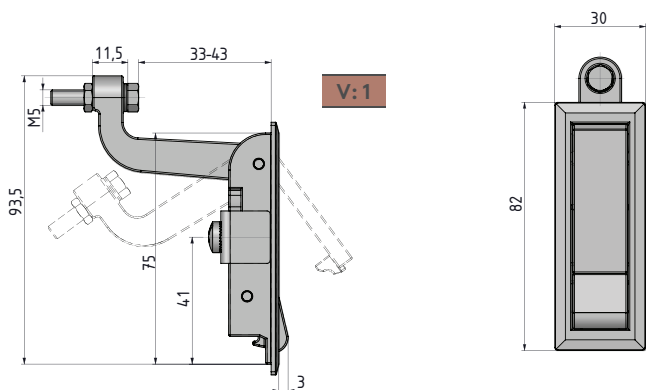
FINISH	F
Chrome plated	1
Black coated	2

DRIVER	
Slot	
DD	
42	

Group Code	Version	Finish	Cylinder
377	V	F	DD



477 COMPRESSION TRIGGER LOCK



Cut out



- Without cylinder application
- 9 - 19 mm or 33 - 43 mm adjustable grip range.
- Suitable for maximum 2 mm door thickness
- Assembly by only one bracke

MATERIAL

BODY: Zamak DIN-EN 1774-ZnAl4Cu1
 HANDLE: Zamak DIN-EN 1774-ZnAl4Cu1
 FIXING BRACKET: Steel

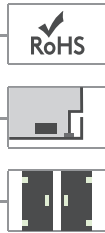
FINISH	F
Chrome plated	1
Black coated	2

Group Code	Version	Finish	Cylinder
477	V	F	00

LIFT-AND-TURN LOCK

170

ALL IN METAL



- For cabinets that require better sealing under vibrating conditions
- Provides 5 mm of compression
- Provides noise isolation
- Three cam alternatives available

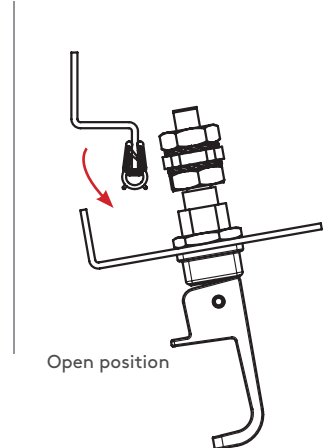
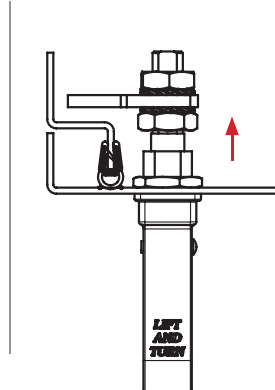
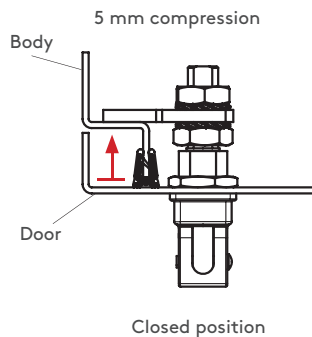
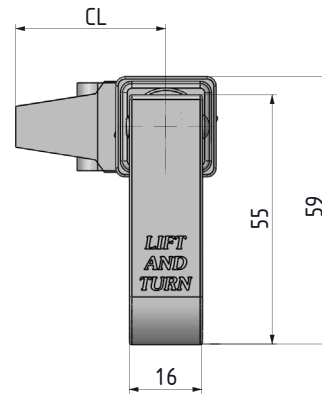
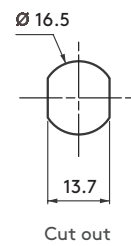
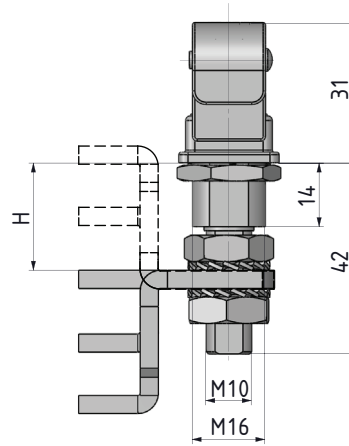
MATERIAL

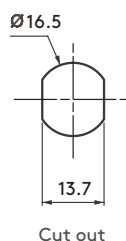
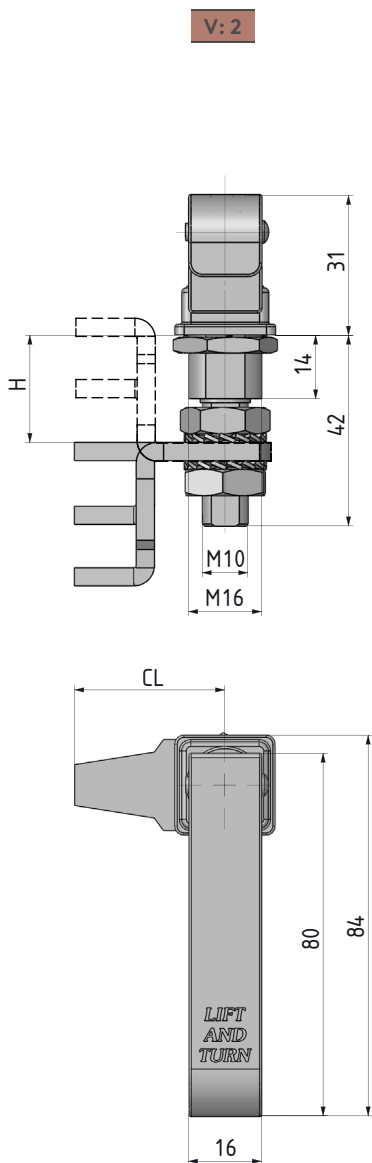
HOUSING: Zamak DIN-EN 1774-ZnAl4Cu1
 HANDLE: Zamak DIN-EN 1774-ZnAl4Cu1
 CAM: Steel

FINISH

Chrome plated or black coated

V:1





170

LIFT-AND-TURN LOCK

ALL IN METAL



- For cabinets that require better sealing under vibrating conditions
- Lock provides 5 mm of compression
- Provides noise isolation
- Three cam alternatives available

MATERIAL

HOUSING: Zamak DIN-EN 1774-ZnAl4Cu1
HANDLE: Zamak DIN-EN 1774-ZnAl4Cu1
CAM : Steel

FINISH

Chrome plated or black coated

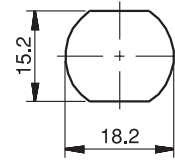
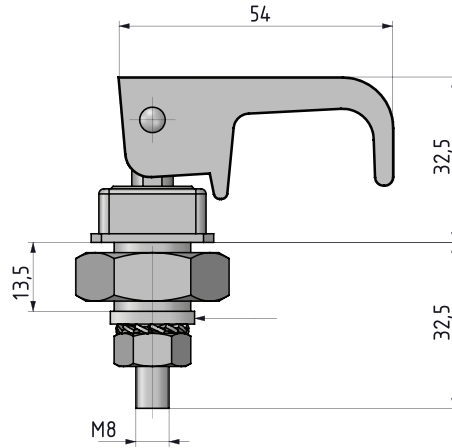
CAM	CC	CH	CL	H GRIP	
				MIN CAM	MAX CAM
1	01	0	33	22.5	30
2	02	14	33	8.5	44
3	03	27.5	33	0	57.5

FINISH	F
Chrome plated	1
Black coated	2

Group Code	Version	Material	Finish	Cam
170	V	1	F	CC

LIFT-AND - TURN LOCK

070



Cut out

- Suitable for steel and polyester panels
- Provides 5 mm of compression

MATERIAL

BODY: Polyamide DIN-EN ISO 1043-1 PA6 GFR 30
 CAM: Steel





072

FUNCTIONAL LOCK

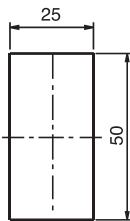
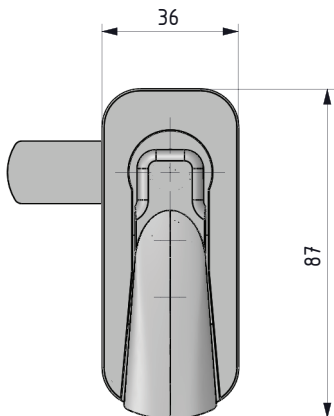
- IP 54
-
- RoHS
-
-
-



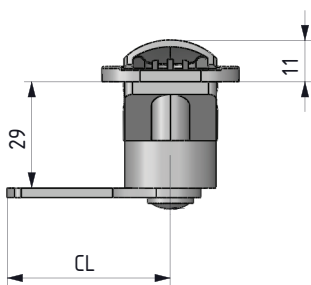
- Suitable for steel and polyester panels
- Standard cut out for both versions
- Clip fixing version suitable for panels with thickness of between 0.8 mm and 2 mm

MATERIAL

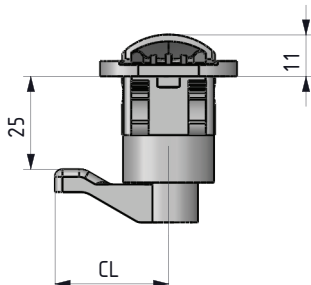
BODY: Polyamide DIN-EN ISO 1043-1 PA6 GFR 30
 CAM: Steel or PA6 GFR 30



Cut out



Steel cam



Plastic cam
CC: 80

V:1

V:2

Clip-in fixing



DT	
Min	Max
0.8mm	2mm

DT (DOOR THICKNESS)

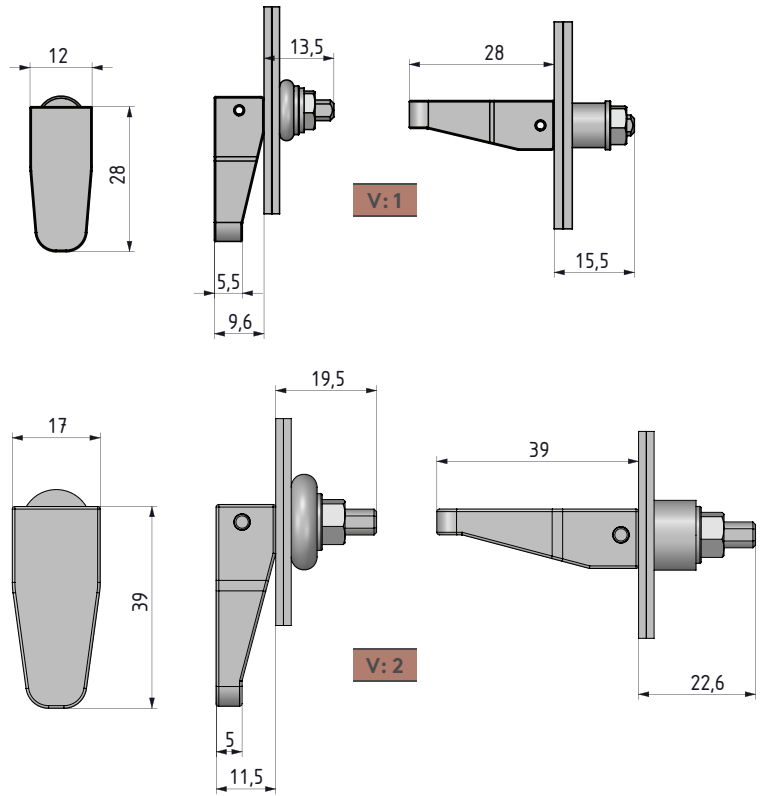
Group Code	Version	Cam	Door Direction
072	V	CC	

DOOR DIRECTION	
Right hand	001
Left hand	002

For cams please check page: 175 (CAM-1)

SWELL LOCK

270



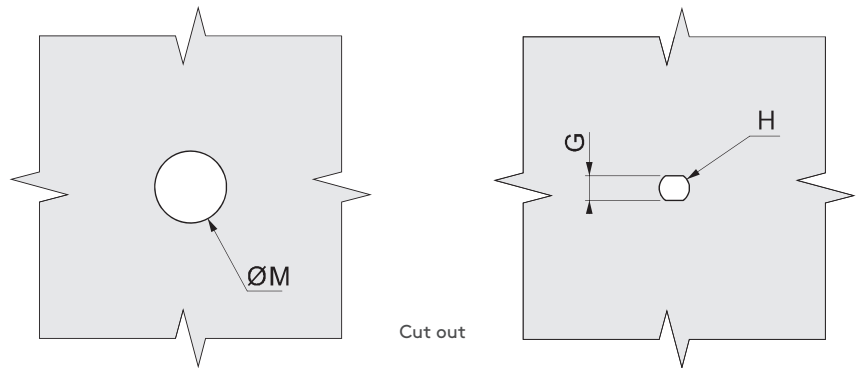
- Used for the cabinets that require better under vibration conditions.
- It is suitable with special cut out for different frame thickness.

MATERIAL

HANDLE: Polyamide DIN-EN ISO 1043-1 PA6 GFR 30
 WASHER: PA66
 NUT : PA66
 BUSHING : SBR Rubber

Back panel

Front panel



VERSION	G +0.1 -0.0	H +0.1 -0.0	FRAME THICKNESS	CUT OUT ØM
1	3.3	4.1	3.2	9.5
2	4.5	5.8	Up to 3.2	13.5
			3.2 - 4.8	14

Group Code	Material	Finish	Version
270	2	0	V



270

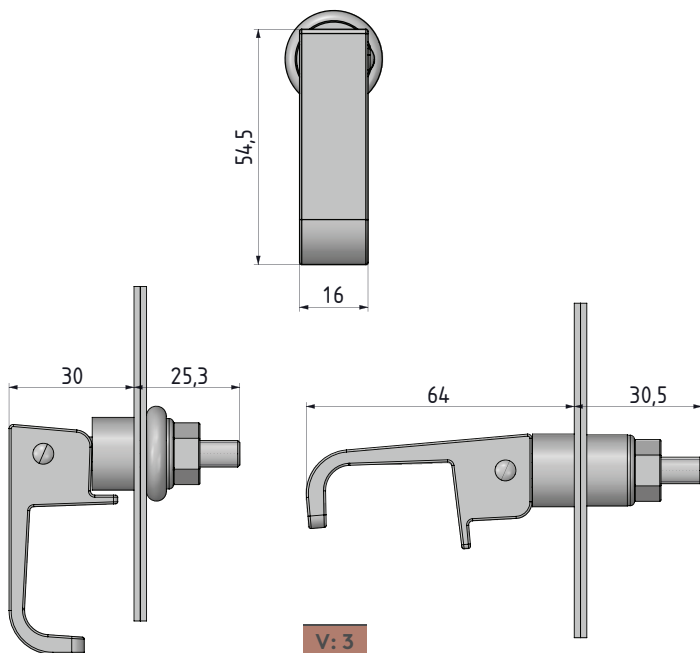
SWELL LOCK



- Used for the cabinets that require better under vibration conditions.
- It is suitable with special cut out for different frame thickness.

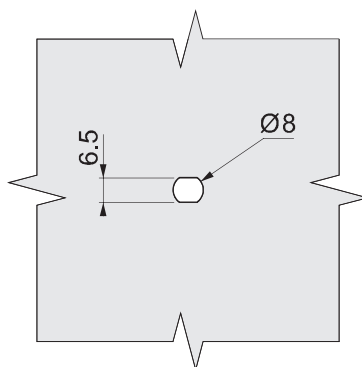
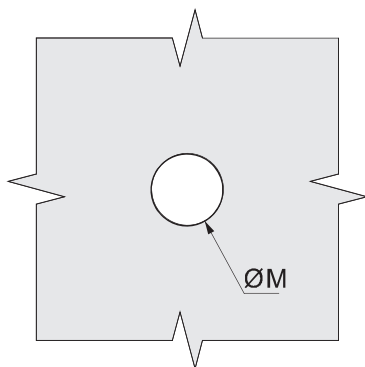
MATERIAL

HANDLE: Zamak DIN-EN 1774-ZnAl4Cu1
 WASHER: PA66
 NUT : PA66
 BUSHING : SBR Rubber



Back panel

Front panel



Cut out

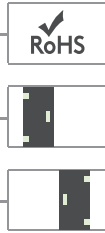
FRAME THICKNESS	CUT OUT ØM
1.2-3.2	19
3.2-4.8	19.5
4.8-6.4	20
6.4 and up	20.5

Group Code	Material	Finish	Version
270	1	2	V

ROTARY LATCH (MINI)

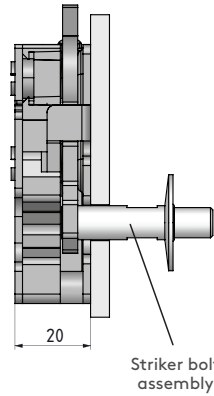
2800

BOTTOM

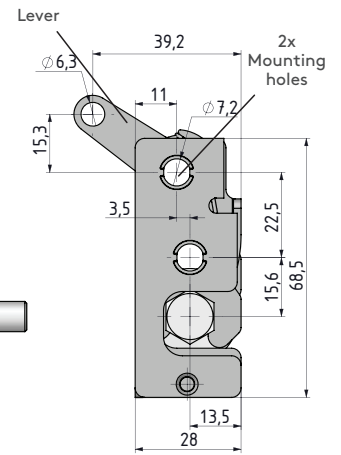


Bumper Version

Dimensions are same as standard version except as shown



Standard Version



(Left hand application)

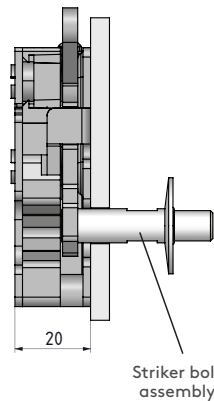
ROTARY LATCH (MINI)

TOP

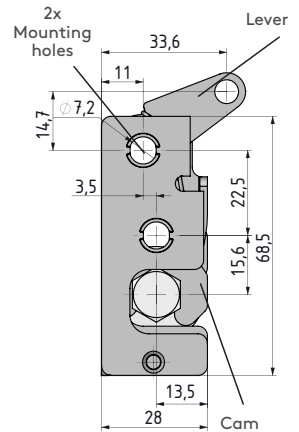


Bumper Version

Dimensions are same as standard version except as shown



Standard Version



(Left hand application)

- Six different lever type
- Single or two stage actuation type
- Bumper version for vibrating conditions

MATERIAL
BODY: Steel
BUMPER: PA6

FINISH
Zinc Plated

LEVER TYPE	LT
Bottom	1
Top	2

MOUNTING TYPE	MT
Ø7,2	1
M6	2
1/4"	3

ACTUATION	A
Single	1
Two	2

VERSION	V
Standard	1
Bumper	2

DOOR DIRECTION	
Right hand	001
Left hand	002

Group Code	Version	Lever Type	Mounting Type	Actuation	Door Direction
2800	V	LT	MT	A	

For striker bolts check page : 153

For cables & accessories check page: 158-159

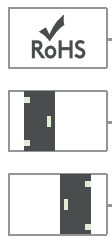
For locks check page: 192 - 271



2800

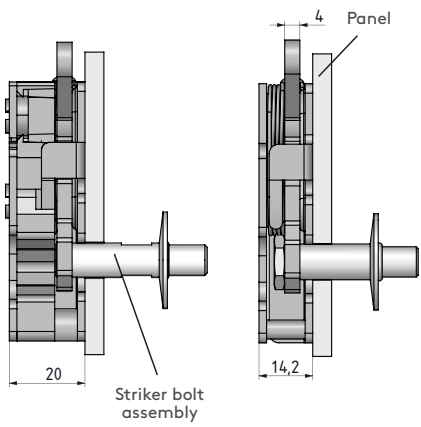
ROTARY LATCH (MINI)

IN LINE



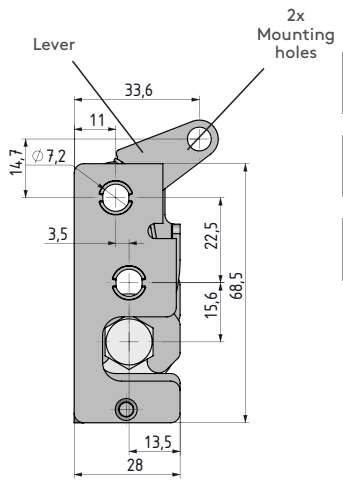
Bumper Version

Dimensions are same as standard version except as shown



(Left hand application)

Standard Version



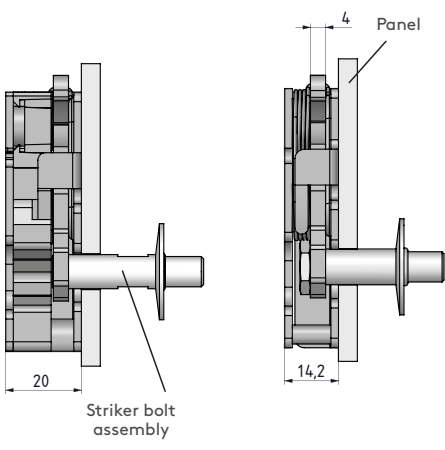
ROTARY LATCH (MINI)

HAND ACTUATION



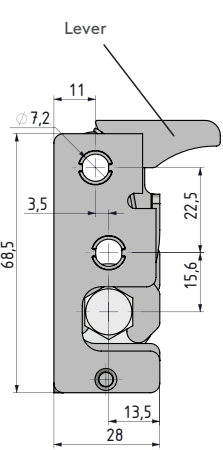
Bumper Version

Dimensions are same as standard version except as shown



(Left hand application)

Standard Version



- Six different lever type
- Single or two stage actuation type
- Bumper version for vibrating conditions

MATERIAL
BODY: Steel
BUMPER: PA6

FINISH
Zinc Plated

LEVER TYPE	LT
In Line	3
Hand Actuation	4

MOUNTING TYPE	MT
$\varnothing 7,2$	1
M6	2
1/4"	3

ACTUATION	A
Single	1
Two	2

VERSION	V
Standard	1
Bumper	2

DOOR DIRECTION	
Right hand	001
Left hand	002

Group Code	Version	Lever Type	Mounting Type	Actuation	Door Direction
2800	V	LT	MT	A	

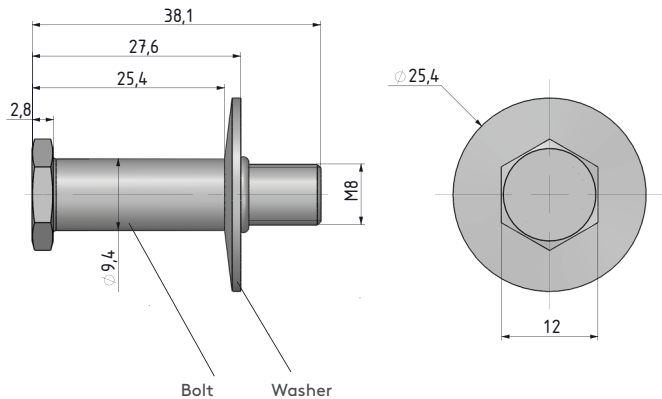
- For striker bolts check page : 153
- For cables & accessories check page: 158-159
- For locks check page: 192 - 271



SB.1

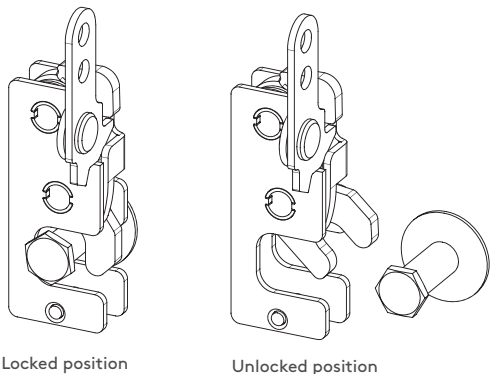
STRIKER BOLT (MINI)

Standard Version



MATERIAL
BODY: Steel

FINISH
Zinc Plated



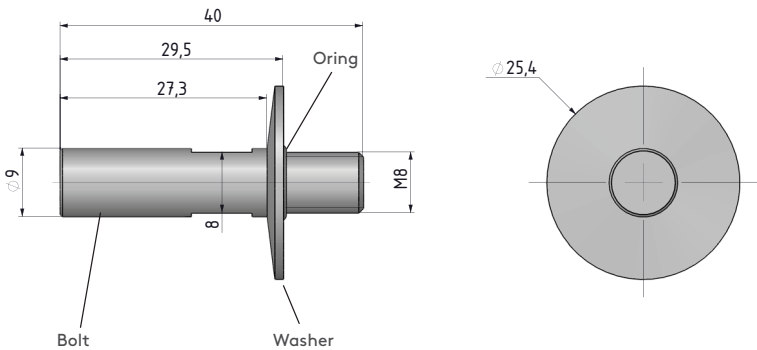
Locked position

Unlocked position

SB.2

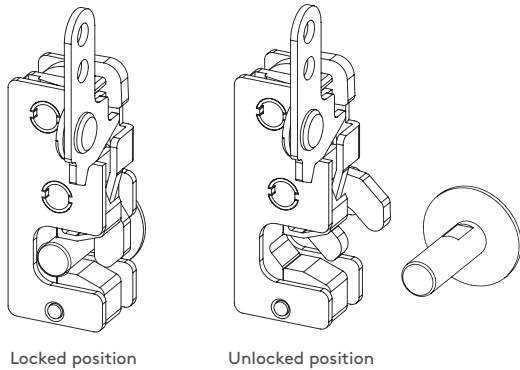
STRIKER BOLT (MINI)

Bumper Version



MATERIAL
BODY: Steel

FINISH
Zinc Plated



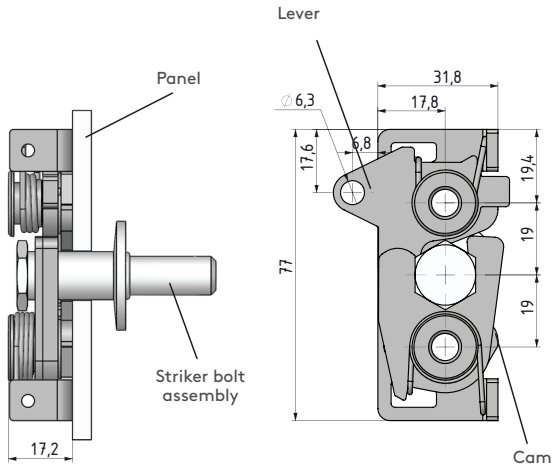
Locked position

Unlocked position

ROTARY LATCH (LARGE)

2810

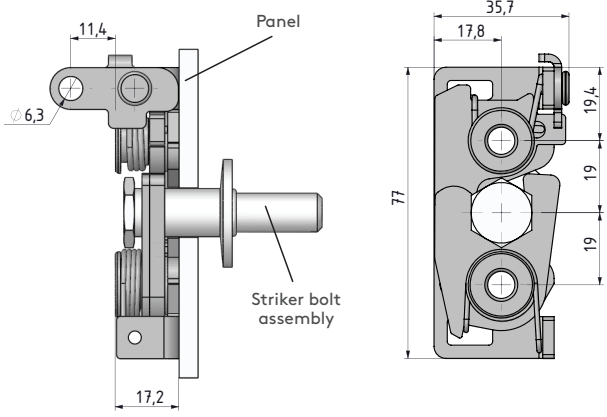
BOTTOM



(Left hand application)

ROTARY LATCH (LARGE)

PERPENDICULAR



(Left hand application)

- Three different lever type
- Two stage actuation type

MATERIAL
BODY: Steel

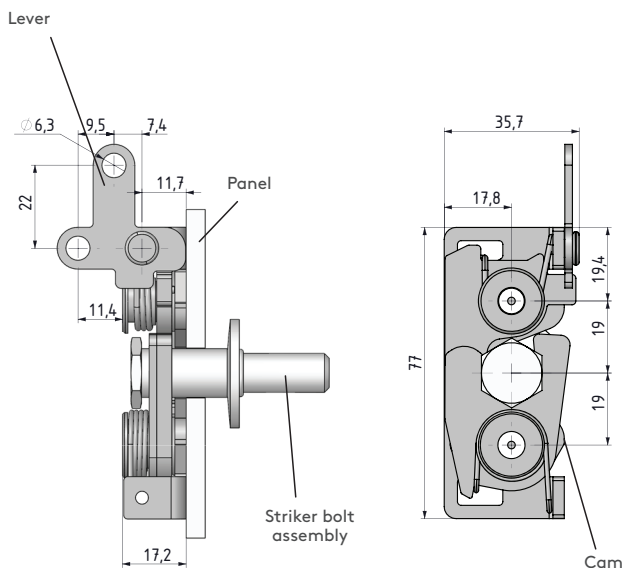
FINISH
Zinc Plated

LEVER TYPE	LT
Top	1
Perpendicular	2
Two Point	3

MOUNTING TYPE	MT
Ø7,2	1
M6	2
1/4"	3

Group Code	Lever Type	Mounting Type	Door Direction
2810	LT	MT	

- For striker bolts please check page :155
- For cables & accessories check page: 158-159
- For locks check page: 192 - 271



2810

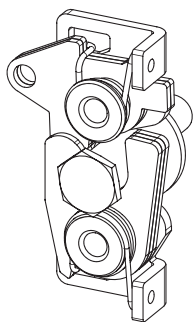
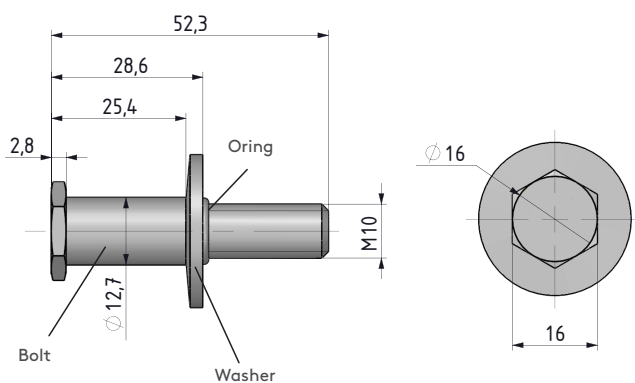
ROTARY LATCH (LARGE)

TWO POINT

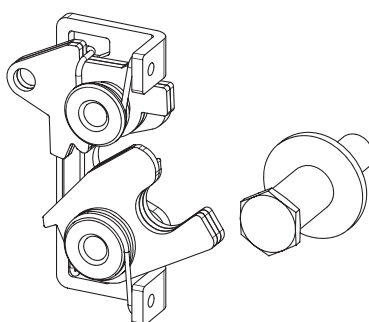


SB.3

STRIKER BOLT (LARGE)



Locked position



Unlocked position

MATERIAL
BODY: Steel

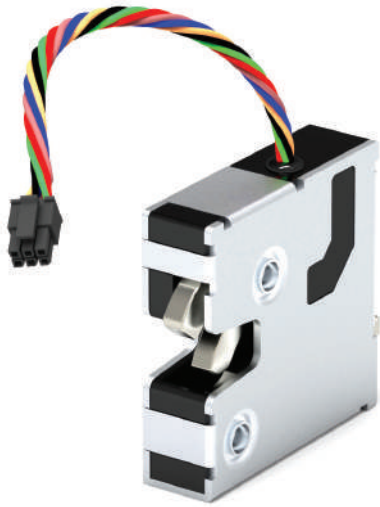
FINISH
Zinc Plated

For cables & accessories check page: 158-158

For locks check page: 192 - 271

ELECTRONIC ROTARY LATCH

3331



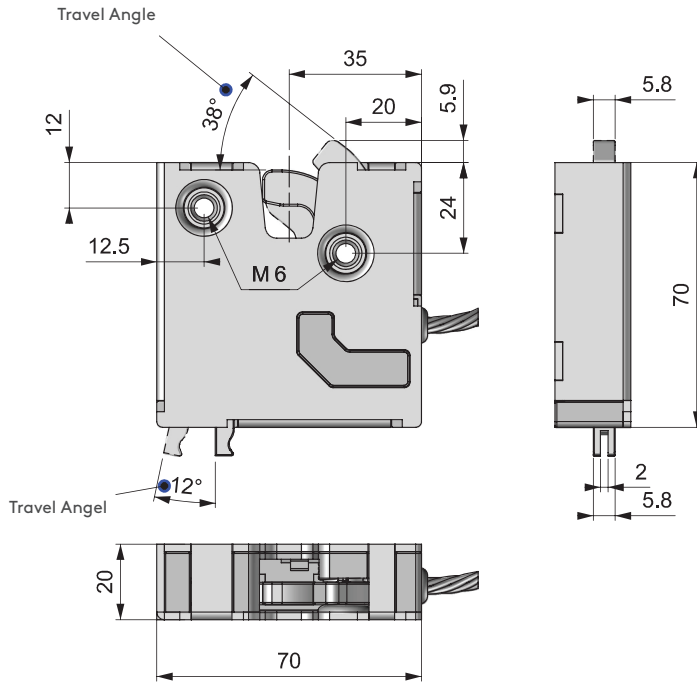
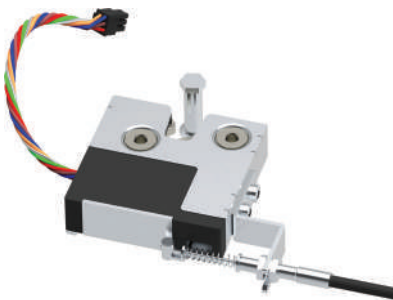
- Push to Close
- Mechanical override
- Stainless steel cam and trigger
- Integrated microswitch for lock status
- Microprocessor controlled gear motor
- Compatible with access control systems

MATERIALS

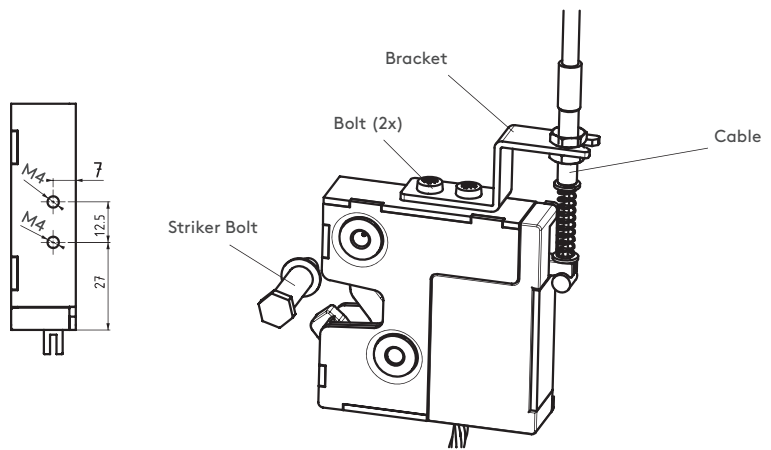
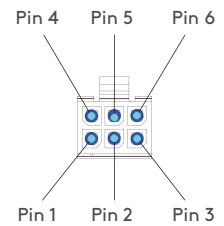
BODY: Steel and PA6 GFR 30
CAM: Stainless Steel

TECHNICAL SPECIFICATIONS

Operating Voltage : 9 - 24 Volt
Cable Length : 150 mm
Current : Max 500 MA



PIN	COLOR	VALUE
Pin 1	Black	GND
Pin 2	Green	12 Volt DC
Pin 3	Orange	Signal
Pin 4	Red	Microswitch COM
Pin 5	Blue	Microswitch NO
Pin 6	Brown	Microswitch NC

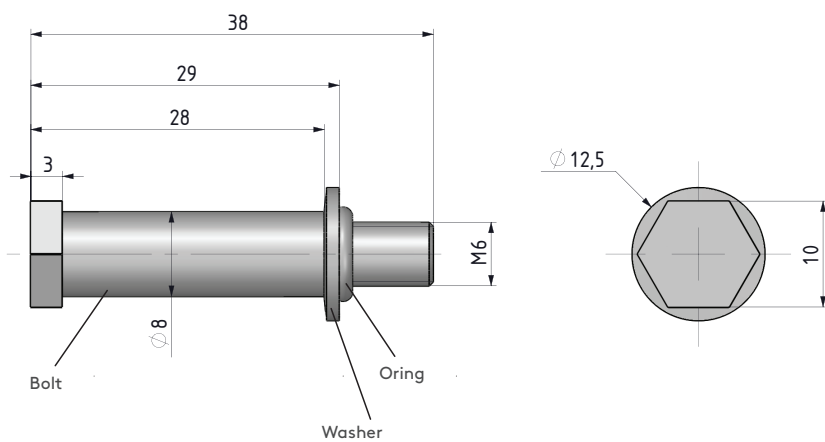


Group Code	Mounting Type
3331	MT

MOUNTING TYPE	MT
Ø7,2	1
M6	2
1/4"	3

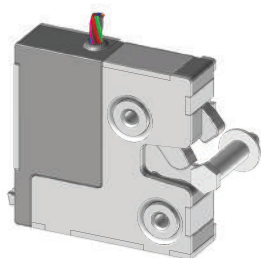
SB.4

STRIKER BOLT

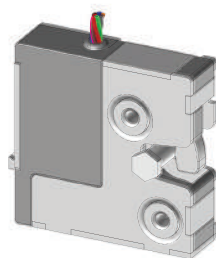


MATERIAL
BODY: Steel

FINISH
Zinc Plated



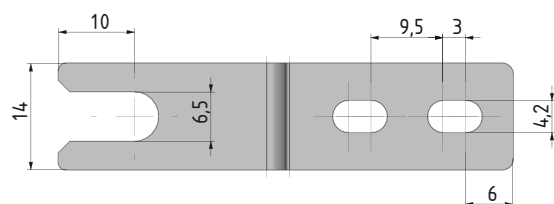
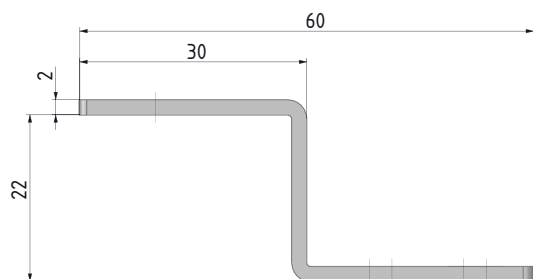
Locked position



Unlocked position

321.03.068

CABLE MOUNTING BRACKET



MATERIAL
BODY: Steel

FINISH
Zinc Plated

 For cables & accessories check page: 158-159

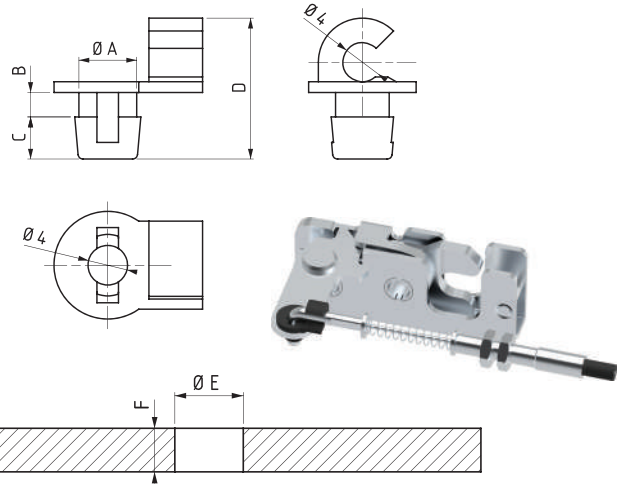
 For locks check page: 192 - 271

RETAINER CLIP

(Cable Accessory)



MATERIAL
PA6



A	B	C	D	E	F	TRIGGER LEVER	PRODUCT CODE
5.9	2.5	4.3	14.4	6.3	2	Perpendicular, In line, Two point	320.02.193
5.9	4.5	4.3	16.4	6.3	4	Top, Bottom	320.02.194

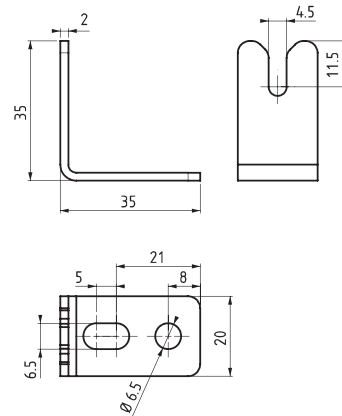
CABLE MOUNTING BRACKET

(Cable Accessory)



MATERIAL
BODY: Steel

FINISH
Zinc Plated



PRODUCT CODE
321.03.044

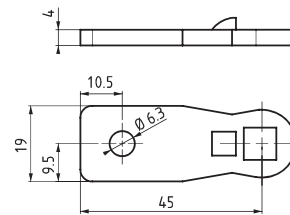
ACTUATOR CAM



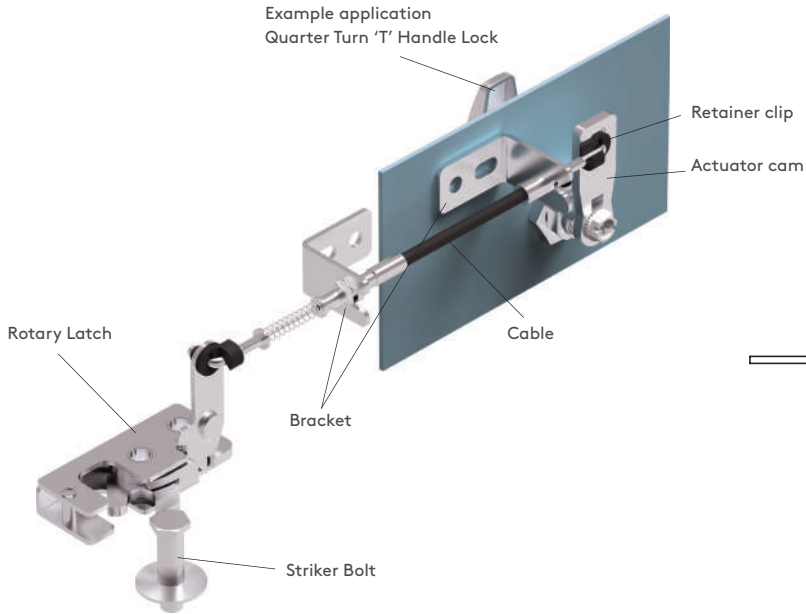
MATERIAL
BODY: Steel

FINISH
Zinc Plated

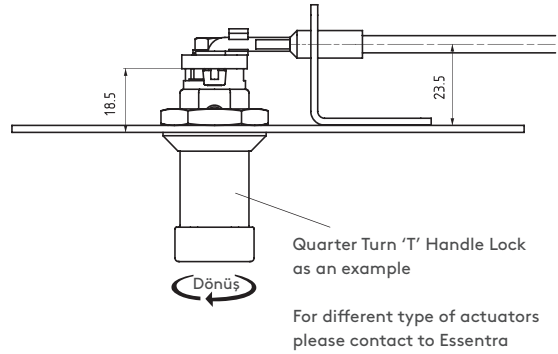
For any actuator cam
please contact to sales
team



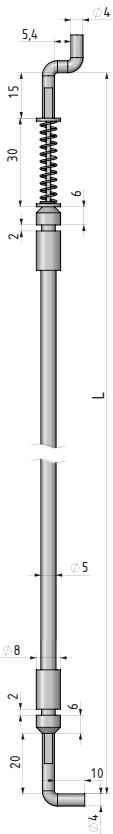
PRODUCT CODE	CC	CH	CL
30403779Y	98	0	45



EXAMPLE APPLICATION

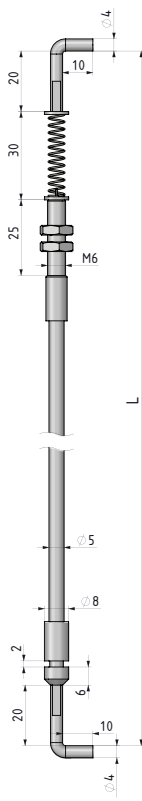


V: 1



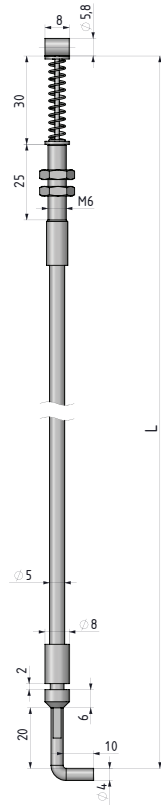
Suitable for Rotary Latch
Mini and Large applications
without Retainer Clip

V: 2



Suitable for Rotary Latch
Mini and Large applications
with Retainer Clip

V: 3



Only for Electronic Rotary Latch

2801

CABLES



MATERIAL
BODY: Steel

FINISH
Zinc Plated

Note: Cable diameter is 1.5 mm

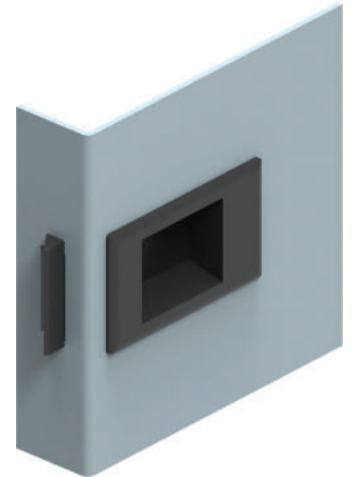
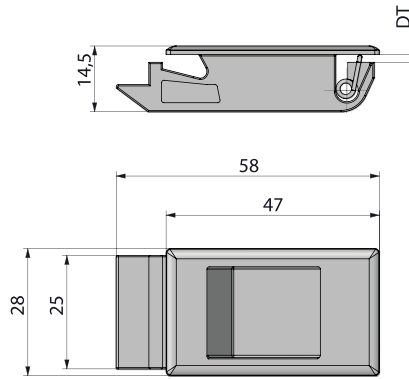
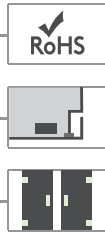
Group Code	Version	TYPE	Length
2801	V	T	L

TYPE	T	LENGTH (L)
With spring	1	1000 mm
Without spring	0	1500 mm
		2000 mm

MISCELLANEOUS PRODUCTS

SLIDING LOCK

071



- Easy fixing
- Long-lasting stainless steel spring
- Suitable for panel thicknesses of between 0.8 mm and 1.5 mm

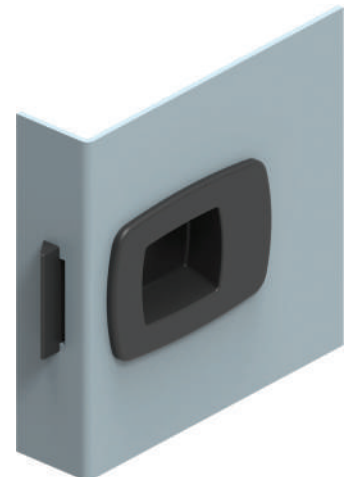
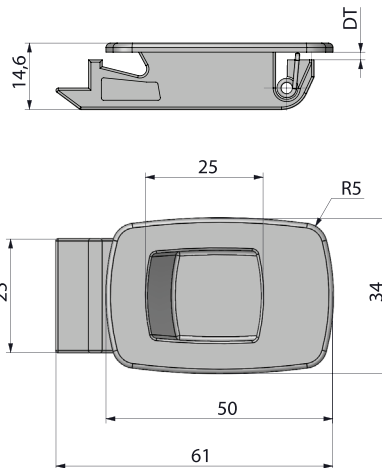
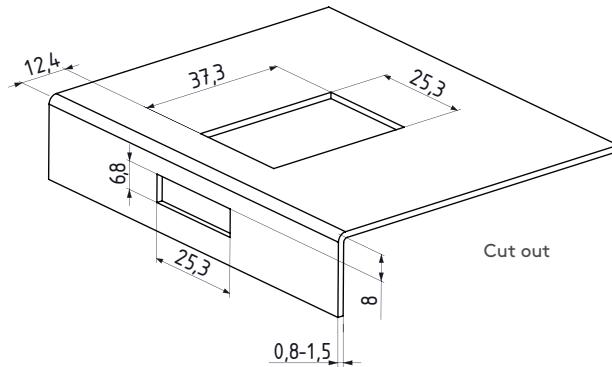
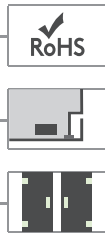
MATERIAL

BODY: ABS
SPRING: Stainless Steel

SPECIFICATIONS	PRODUCT CODE
0.8 -1.2 mm thickness panel	07112
1.2 -1.5 mm thickness panel	07115

SLIDING LOCK

371



- Stylish design
- Easy fixing
- Long-lasting spring
- Suitable for panel thicknesses of between 0.8 mm and 1.5 mm
- Suitable for small doors
- For different colour choices please contact Essentra

MATERIAL

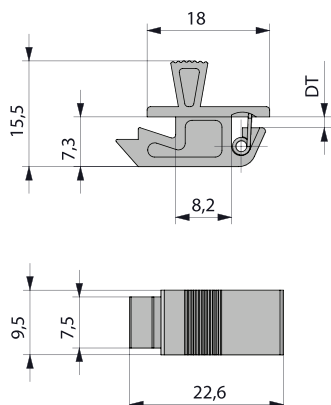
BODY: ABS
SPRING: Stainless Steel

SPECIFICATIONS	PRODUCT CODE
0.8 -1.2 mm thickness panel	37112
1.2 -1.5 mm thickness panel	37115



171

MINI SLIDING LOCK

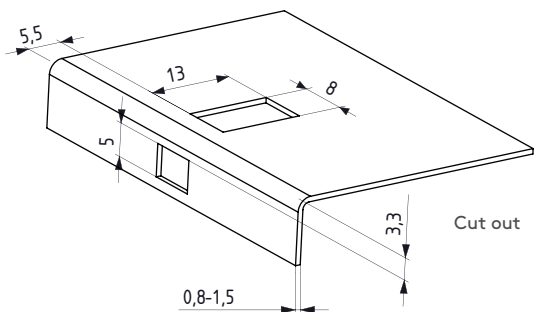


- Suitable for small doors and inside panels
- Suitable for panel thicknesses of between 0.8 mm and 1.5 mm

MATERIAL

BODY: ABS

SPRING: Stainless Steel

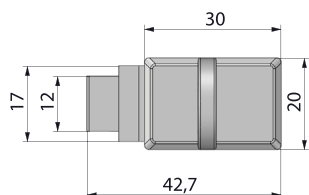
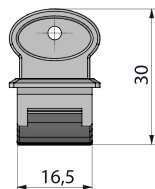
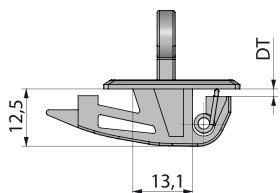


DT: DOOR THICKNESS	
Min	Max
0.8mm	1.5mm

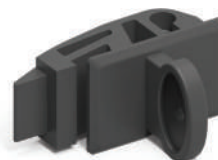
Cut out

471

MINI SLIDING LOCK



DT: DOOR THICKNESS	
Min	Max
0.8mm	1.5mm

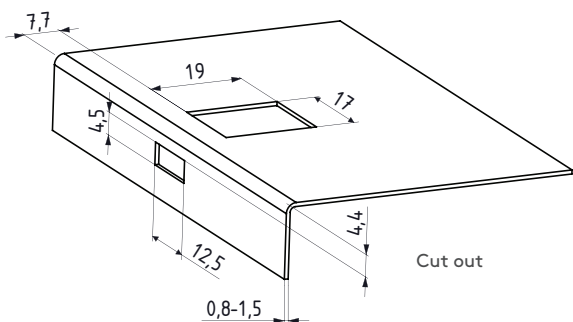


- Suitable for small doors and inside panels
- Suitable for panel thicknesses of between 0.8 mm and 1.5 mm

MATERIAL

BODY: ABS

SPRING: Stainless Steel



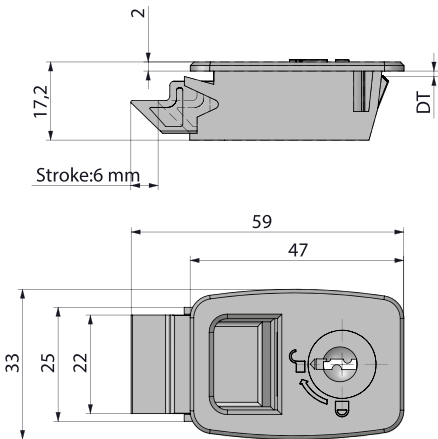
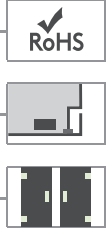
Cut out

MISCELLANEOUS PRODUCTS

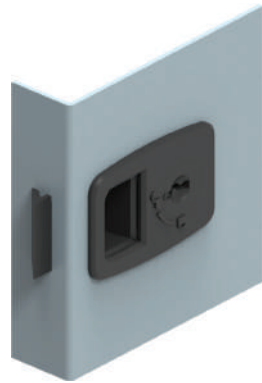
SLIDING LOCK 671



671



DT: DOOR THICKNESS	
Min	Max
0.8mm	1.5mm



- Cylinder Locking System
- Eliminates the risk of scratch on paint thanks to the 2 part design.
- Suitable for small size doors
- Easy assembly by clips
- Suitable for panel thicknesses of 0.8 - 1.5 mm

MATERIAL
 BODY: ABS
 SPRING: Stainless steel
 CYLINDER: PA6 GFR 30

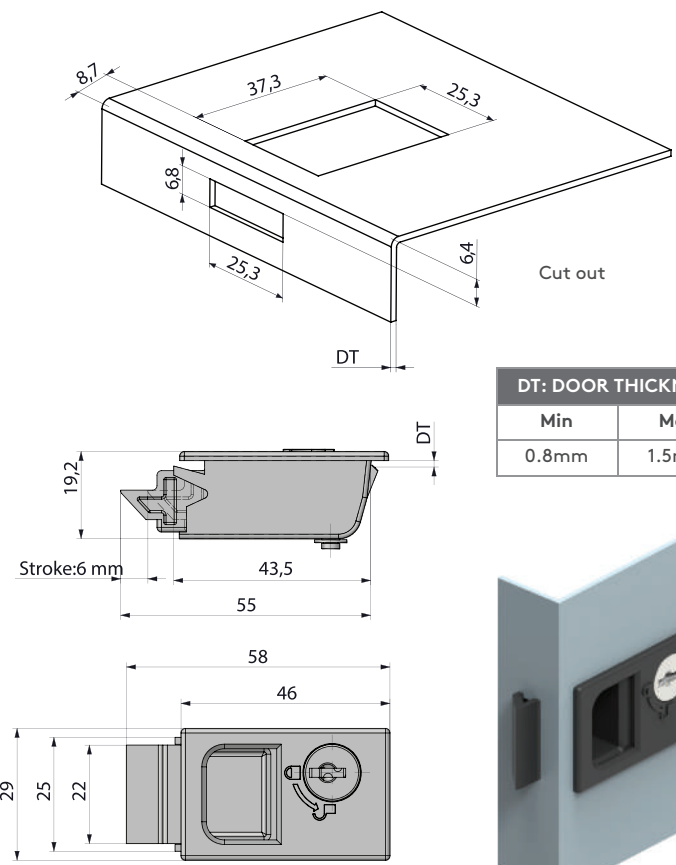
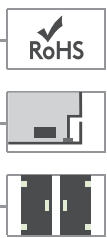
Group Code	Cylinder
671	DD

CYLINDER		DD
	Keyed alike	01
	Euro key (5333)	05

SLIDING LOCK 571



571



DT: DOOR THICKNESS	
Min	Max
0.8mm	1.5mm



- Cylinder Locking System
- Eliminates the risk of scratch on paint thanks to the 2 part design.
- Suitable for small size doors
- Easy assembly by clips
- Suitable for panel thicknesses of 0.8 - 1.5 mm

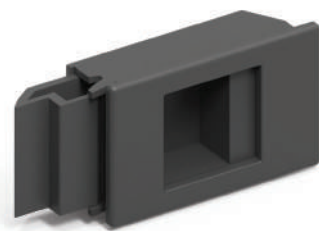
MATERIAL
 BODY: ABS
 SPRING: Stainless steel
 CYLINDER: Zamak DIN-EN 1774-ZnAl4Cu1

Group Code	Cylinder
571	DD

CYLINDER		DD
	Stainless steel dust cap (Keyed alike)	03

271

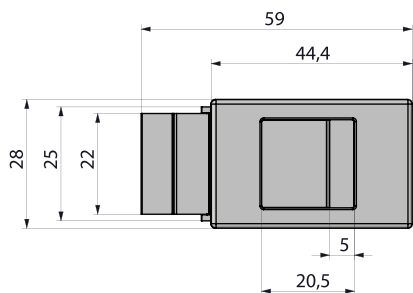
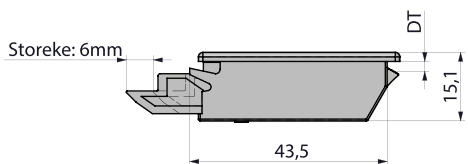
SLIDING LOCK



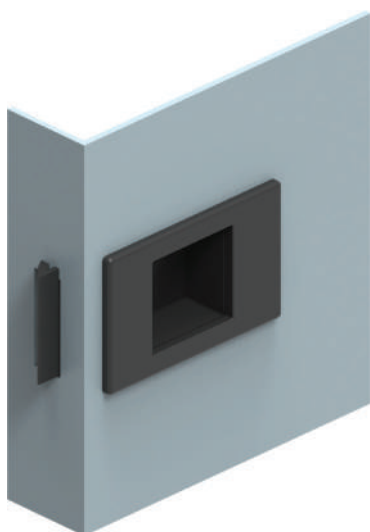
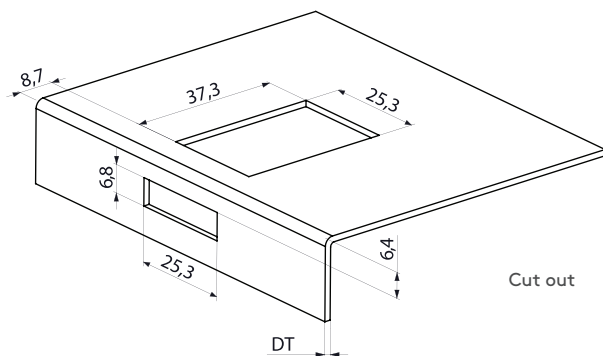
- Two-piece design eliminates paint problems on doors
- Suitable for small doors
- Easy assembly with clips on body
- Suitable for panel thicknesses of between 0.8 mm and 1.5 mm

MATERIAL

BODY: ABS
 SPRING: Stainless Steel

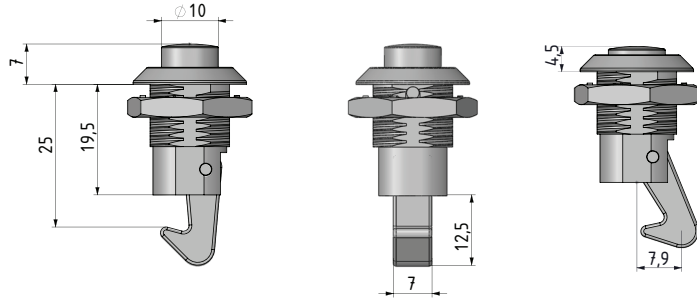


DT: DOOR THICKNESS	
Min	Max
0.8mm	1.5mm



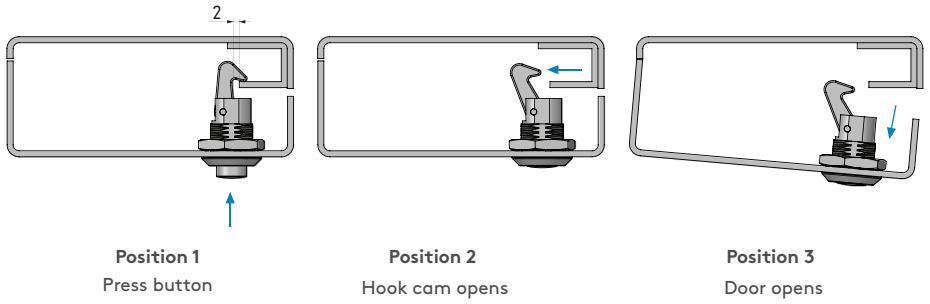
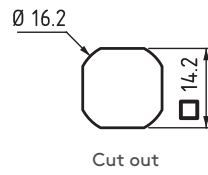
MINI LOCK

466



- Easily opened by pressing button
- Suitable for small doors

MATERIAL
 HOUSING: Zamak DIN-EN 1774-ZnAl4Cu1
 BUTTON: Zamak DIN-EN 1774-ZnAl4Cu1
 CAM: Zamak DIN-EN 1774-ZnAl4Cu1



MATERIAL	F	FINISH	F
Zamak	1	Chrome plated	1
		Black coated	2

Group Code	Material	Finish
466	1	0



073

QUARTER-TURN LOCK



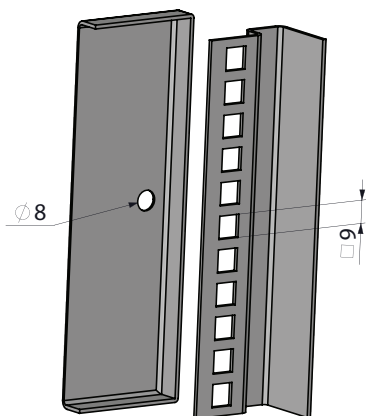
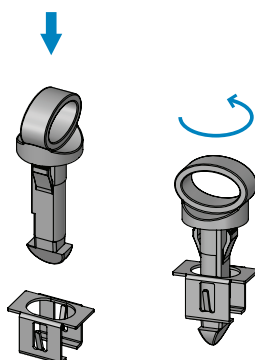
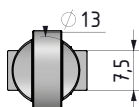
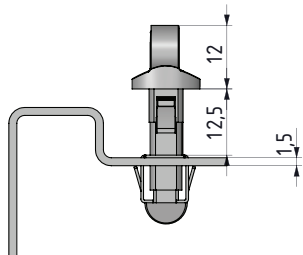
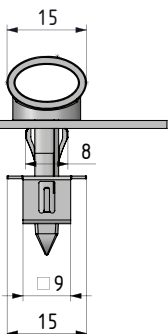
- Fix small panels to frame with ease
- Quarter-turn locking
- Easy assembly
- For doors with a bend of 24 mm

MATERIAL

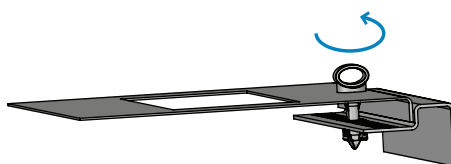
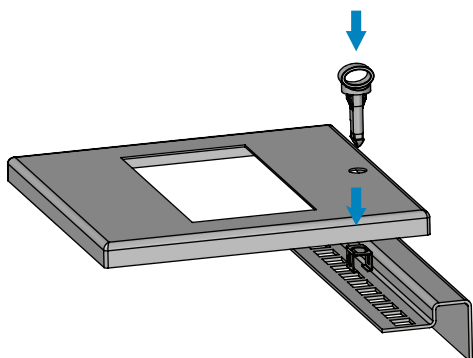
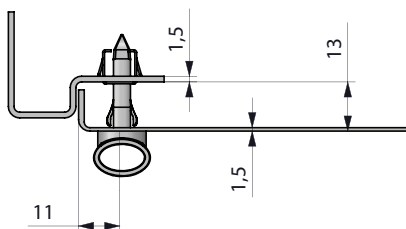
HANDLE: ABS
FRAME PART: Steel

DT (DOOR THICKNESS)

DT	
Min	Max
0.8mm	1.5mm

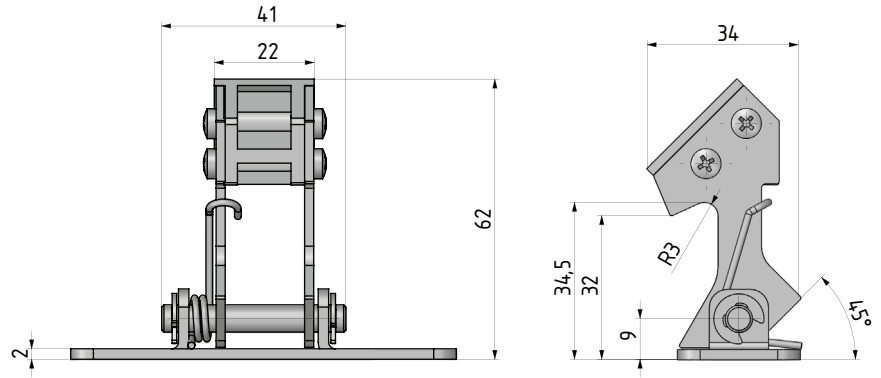


Cut out



HOOKED LOCK

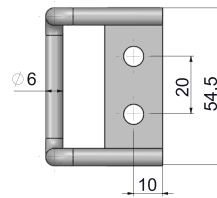
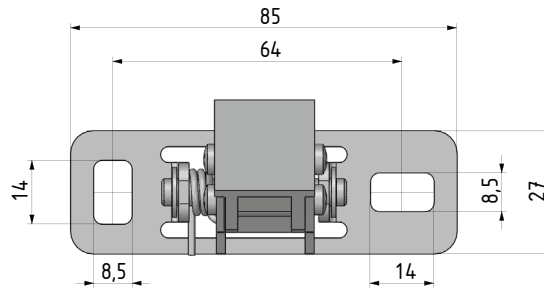
176



- Used for locking back doors of generators without external lock
- Can open from inside by moving cam

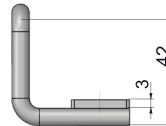
MATERIAL
Steel or stainless steel

! Note: Special square-base screws are included



CAM STRIKING PLATE

016 A71



- Striking plate.
- Custom sizes available

MATERIAL	F	FINISH	F
Steel	6	Chrome plated	1
Stainless steel	4	No finish	0

Group Code	Material	Finish
176	M	F



170-171



172-173



174



175



176



177



180



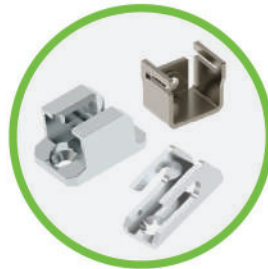
180



181



182



182



183



184-185



186-188



189



190



191



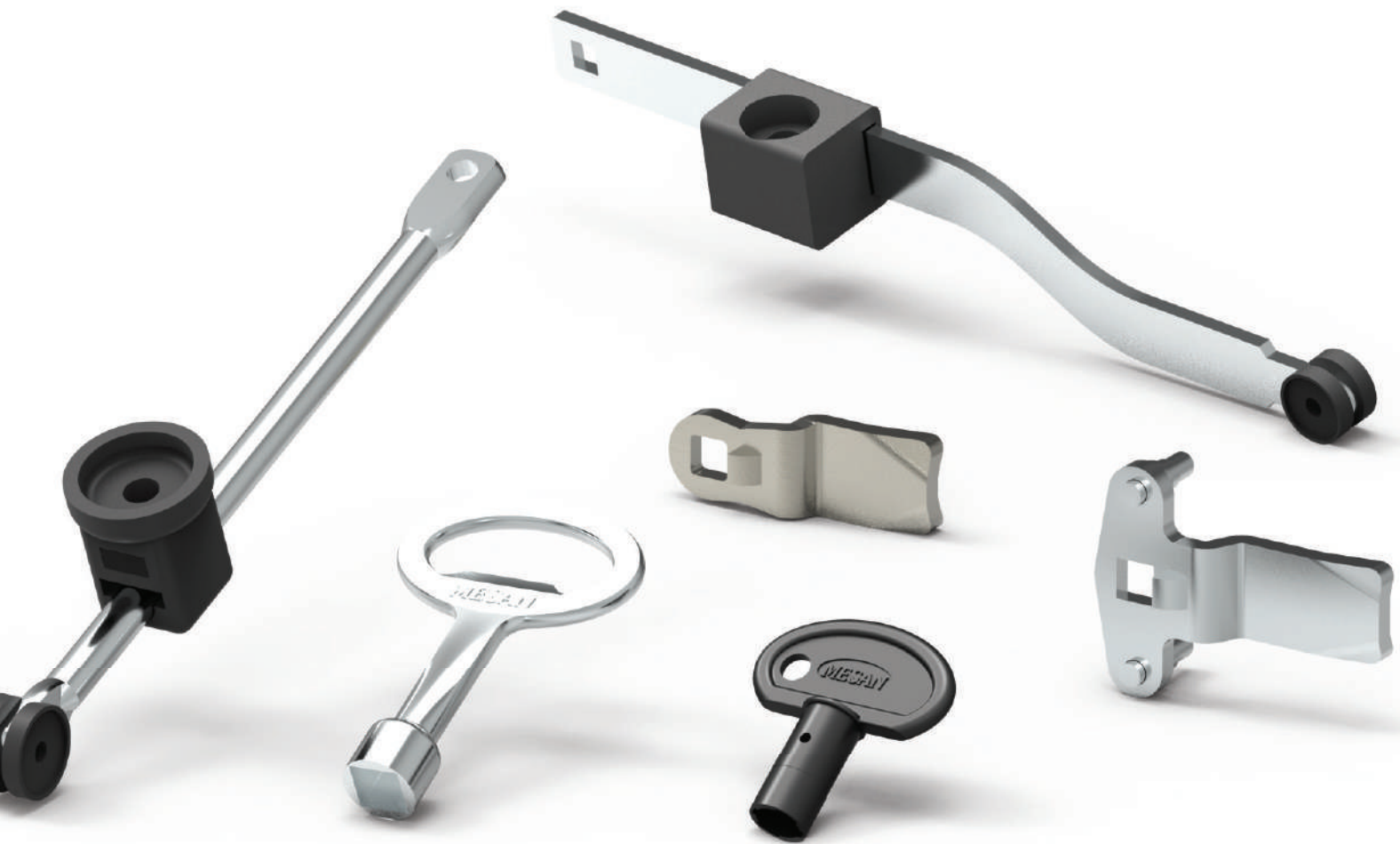
190



190



191



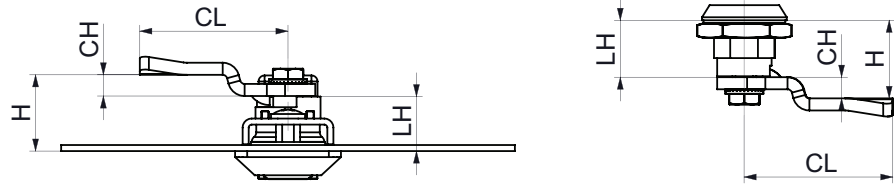
CAMS, KEYS, RODS & ROD GUIDES

168-191



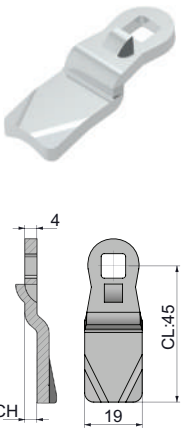
CAMS WITH STOPPERS

H: Grip
 LH: Height of housing
 CL: Cam length
 CH: Cam height



MATERIAL: Steel
 FINISH: Zinc plated
 THICKNESS: 4 mm

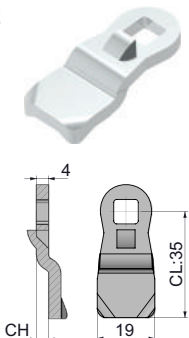
Cam 1



STOCK CODE	CC	CH	CL	LH:18 H	LH:18.5 H	LH:20 H	LH:21 H	LH:30 H	LH:32 H	LH:35 H	LH:40 H	LH:50 H	LH:60 H
30403033Y	30	0	45	18	18.5	20	21	30	32	35	40	50	60
30403439Y	17	1	45	19	19.5	21	22	31	33	36	41	51	61
30403159Y	35	2	45	20	20.5	22	23	32	34	37	42	52	62
30403063Y	31	3	45	21	21.5	23	24	33	35	38	43	53	63
30403149Y	33	4	45	22	22.5	24	25	34	37	39	44	54	64
30403160Y	34	6	45	24	24.5	26	27	36	38	41	46	56	66
30403161Y	36	8	45	26	26.5	28	29	38	40	43	48	58	68
30403162Y	47	10	45	28	28.5	30	31	40	42	45	50	60	70
30403045Y	44	12	45	30	30.5	32	33	42	44	47	52	62	72
30403163Y	48	14	45	32	32.5	34	35	44	46	49	54	64	74
30403151Y	49	16	45	34	34.5	36	37	46	48	51	56	66	76
30403165Y	55	18	45	36	36.5	38	39	48	50	53	58	68	78
30403166Y	56	20	45	38	38.5	40	41	50	52	55	60	70	80
30403167Y	57	22	45	40	40.5	42	43	52	54	57	62	72	82
30403168Y	58	24	45	42	42.5	44	45	54	56	59	64	74	84
30403169Y	37	-2	45	16	16.5	18	19	28	30	33	38	48	58
30403170Y	38	-4	45	14	14.5	16	17	26	28	31	36	46	56
30403171Y	39	-6	45	12	12.5	14	15	24	26	29	34	44	54
30403172Y	59	-8	45	10	10.5	12	13	22	24	27	32	42	52
30403173Y	60	-10	45	8	8.5	10	11	20	22	25	30	40	50
30403174Y	61	-12	45	6	6.5	8	9	18	20	23	28	38	48
30403175Y	62	-14	45	4	4.5	6	7	16	18	21	26	36	46

MATERIAL: Steel
 FINISH: Zinc plated
 THICKNESS: 4 mm

Cam 2

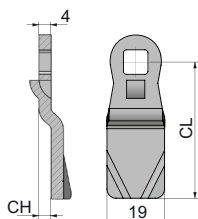


STOCK CODE	CC	CH	CL	LH:18 H	LH:18.5 H	LH:20 H	LH:21 H	LH:30 H	LH:32 H	LH:35 H	LH:40 H	LH:50 H	LH:60 H
30403187Y	11	-2	35	16	16.5	18	19	28	30	33	38	48	58
30403185Y	12	0	35	18	18.5	20	21	30	32	35	40	50	60
30403186Y	13	2	35	20	20.5	22	23	32	34	37	42	52	62
30403188Y	14	4	35	22	22.5	24	25	34	36	39	44	54	64
30403470Y	15	6	35	24	24.5	26	27	36	38	41	46	56	66
30403471Y	16	7	35	25	25.5	27	28	37	39	42	47	57	67
30403189Y	23	10	35	28	28.5	30	31	40	42	45	50	60	70
30403046Y	52	26	35	44	44.5	46	47	56	58	61	66	76	86

CAMS WITH STOPPERS

MATERIAL: Steel
FINISH: Zinc plated
THICKNESS: 4 mm

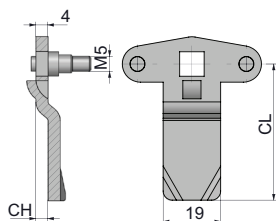
Cam 3



STOCK CODE	CC	CH	CL	LH:18 H	LH:18.5 H	LH:20 H	LH:30 H	LH:32 H	LH:35 H	LH:40 H	LH:50 H	LH:60 H
30403031Y	10	0	29	18	18.5	20	30	32	35	40	50	60
30403032Y	20	0	38	18	18.5	20	30	32	35	40	50	60
30403036Y	70	0	66	18	18.5	20	30	32	35	40	50	60
30403034Y	40	0	51	18	18.5	20	30	32	35	40	50	60
30403037Y	21	3	38	21	21.5	23	33	35	38	43	53	63
30403038Y	41	3	51	21	21.5	23	33	35	38	43	53	63
30403129Y	22	6	37	24	24.5	26	36	38	41	46	56	66
30403039Y	32	7	44	25	25.5	27	37	39	42	47	57	67
30403040Y	42	7	49	25	25.5	27	37	39	42	47	57	67
30403043Y	43	10	48	28	28.5	30	40	42	45	50	60	70

MATERIAL: Steel
FINISH: Zinc plated
THICKNESS: 4 mm

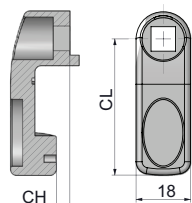
Cam 4



STOCK CODE	CC	CH	CL	LH:18 H	LH:18.5 H	LH:20 H	LH:30 H	LH:32 H	LH:35 H	LH:40 H	LH:50 H	LH:60 H
30403140Y	03	0	51	18	18.5	20	30	32	35	40	50	60
30403522Y	06	0	45	18	18.5	20	30	32	35	40	50	60
30403047Y	01	7	49	25	25.5	27	37	39	42	47	57	67
30403524Y	07	2	45	20	20.5	22	32	34	37	42	52	62
30403526Y	08	3	45	21	21.5	23	33	35	38	43	53	63
30403528Y	09	4	45	22	22.5	24	34	36	39	44	54	64
30403530Y	100	5	45	23	23.5	25	35	37	40	45	55	65
30403532Y	101	6	45	24	24.5	26	36	38	41	46	56	66
30403534Y	102	7	45	25	25.5	27	37	39	42	47	57	67
30403147Y	02	12	46	30	30.5	32	42	44	47	52	62	72
30403536Y	103	14	45	32	32.5	34	44	46	49	54	64	74

MATERIAL: Plastic

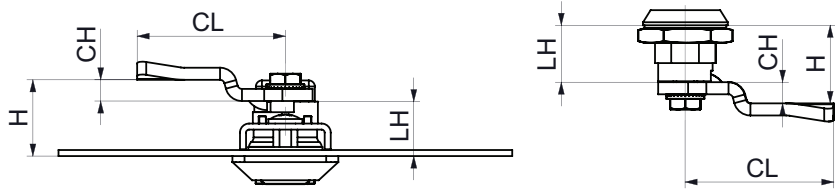
Cam 5



STOCK CODE	CC	CH	CL	LH:18 H	LH:18.5 H	LH:20 H	LH:30 H	LH:35 H	LH:40 H	LH:50 H	LH:60 H
30402004Y	90	0	35	18	18.5	20	30	35	40	50	60
30402011Y	93	0	25	18	18.5	20	30	35	40	50	60
30402005Y	91	6	35	24	24.5	26	36	41	46	56	66
30402008Y	92	4	45	22	22.5	24	34	39	44	54	64
30402013Y	94	-4	45	14	14.5	16	26	31	36	46	56

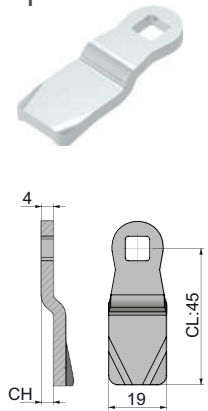
CAMS WITHOUT STOPPERS

H: Grip
 LH: Height of housing
 CL: Cam length
 CH: Cam height



MATERIAL: Steel
 FINISH: Zinc plated
 THICKNESS: 4 mm

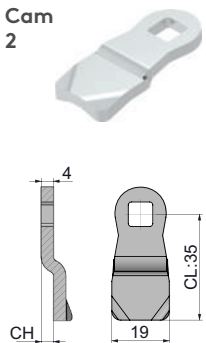
Cam 1



STOCK CODE	CC	CH	CL	LH:14 H	LH:18.5 H	LH:19 H	LH : 20 H	LH : 22 H	LH : 25 H	LH : 32 H
30403117Y	30	0	45	14	18.5	19	20	22	25	32
30403557Y	17	1	45	15	19.5	20	21	23	26	33
30403581Y	35	2	45	16	20.5	21	22	24	27	34
30403054Y	31	3	45	17	21.5	22	23	25	28	35
30403197Y	33	4	45	18	22.5	23	24	26	29	36
30403128Y	34	6	45	20	24.5	25	26	28	31	38
30403583Y	36	8	45	22	26.5	27	28	30	33	40
30403584Y	47	10	45	24	28.5	29	30	32	35	42
30403123Y	44	12	45	26	30.5	31	32	34	37	44
30403422Y	48	14	45	28	32.5	33	34	36	39	46
30403410Y	49	16	45	30	34.5	35	36	38	41	48
30403429Y	55	18	45	32	36.5	37	38	40	43	50
30403585Y	56	20	45	34	38.5	39	40	42	45	52
30403586Y	57	22	45	36	40.5	41	42	44	47	54
30403411Y	58	24	45	38	42.5	43	44	46	49	56
30403425Y	37	- 2	45	12	16.5	17	18	20	23	30
30403198Y	38	- 4	45	10	14.5	15	16	18	21	28
30403423Y	39	- 6	45	8	12.5	13	14	16	19	26
30403412Y	59	- 8	45	6	10.5	11	12	14	17	24
30403552Y	60	- 10	45	4	8.5	9	10	12	15	22
30403587Y	61	- 12	45	2	6.5	7	8	10	13	20
30403420Y	62	- 14	45	0	4.5	5	6	8	11	18

MATERIAL: Steel
 FINISH: Zinc plated
 THICKNESS: 4 mm

Cam 2

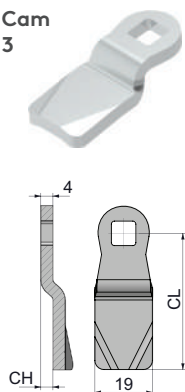


STOCK CODE	CC	CH	CL	LH:14 H	LH:18.5 H	LH : 19 H	LH : 20 H	LH : 22 H	LH : 25 H	LH : 32 H
30403069Y	11	-2	35	12	16.5	18	18	20	23	30
30403444Y	12	0	35	14	18.5	20	20	22	25	32
30403519Y	13	2	35	16	20.5	22	22	24	27	34
30403588Y	14	4	35	18	22.5	24	24	26	29	36
30403477Y	15	6	35	20	24.5	26	26	28	31	38
30403589Y	16	7	35	21	25.5	27	27	29	32	39
30403407Y	23	10	35	24	28.5	30	30	32	35	42
30403075Y	52	26	35	40	44.5	46	36	48	51	58

CAMS WITHOUT STOPPERS

MATERIAL: Steel
FINISH: Zinc plated
THICKNESS: 4 mm

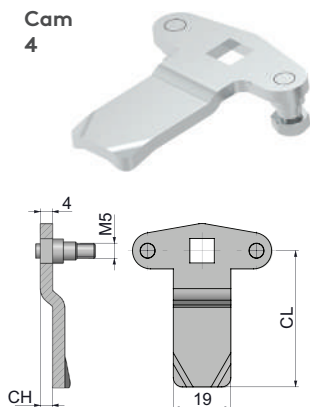
Cam 3



STOCK CODE	CC	CH	CL	LH:14 H	LH:18.5 H	LH:19 H	LH : 20 H	LH : 22 H	LH : 25 H	LH : 32 H
30403006Y	10	0	29	14	18.5	19	20	22	25	32
30403130Y	20	0	38	14	18.5	19	20	22	25	32
30403117Y	30	0	45	14	18.5	19	20	22	25	32
30403003Y	40	0	51	14	18.5	19	20	22	25	32
30403005Y	70	0	66	14	18.5	19	20	22	25	32
30403064Y	21	3	38	17	21.5	22	23	25	28	35
30403054Y	31	3	45	17	21.5	22	23	25	28	35
30403141Y	41	3	51	17	21.5	22	23	25	28	35
30403138Y	22	6	37	20	24.5	25	26	28	31	38
30403128Y	34	6	45	20	24.5	25	26	28	31	38
30403073Y	32	7	44	21	25.5	26	27	29	32	39
30403002Y	42	7	49	21	25.5	26	27	29	32	39
30403004Y	43	10	48	24	28.5	29	30	32	35	42
30403123Y	44	12	45	26	30.5	31	32	34	37	44

MATERIAL: Steel
FINISH: Zinc plated
THICKNESS: 4 mm

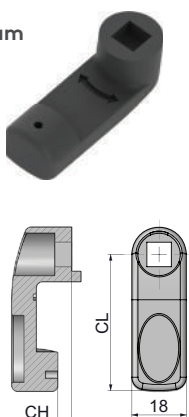
Cam 4



STOCK CODE	CC	CH	CL	LH:18.5 H
30403135Y	03	0	51	18.5
30403523Y	06	0	45	18.5
30403001Y	01	7	49	25.5
30403525Y	07	2	45	20.5
30403527Y	08	3	45	21.5
30403529Y	09	4	45	22.5
30403531Y	100	5	45	23.5
30403533Y	101	6	45	24.5
30403535Y	102	7	45	25.5
30403068Y	02	12	46	30.5
30403537Y	103	14	45	32.5

MATERIAL: Plastic

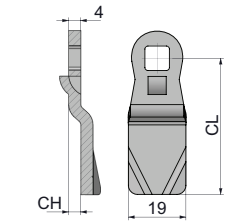
Cam 5



STOCK CODE	CC	CH	CL	LH:18.5 H	LH: 20 H	LH: 25 H
30402002Y	90	0	35	18.5	20	25
30402010Y	93	0	25	18.5	20	25
30402007Y	92	4	45	22.5	24	29
30402003Y	91	6	35	24.5	26	31
30402014Y	94	-4	45	14.5	16	21

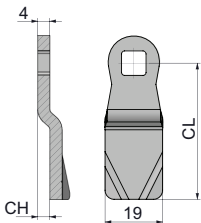
STAINLESS STEEL CAMS

WITH STOPPER



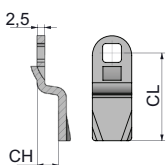
STOCK CODE	CC	CH	CL	LH:18 H	LH:18.5 H	LH:20 H	LH:22 H	LH:30 H	LH:32 H	LH:40 H	LH:50 H	LH:60 H
30405004Y	30	0	45	18	18.5	20	22	30	32	40	50	60
30405003Y	40	0	51	18	18.5	20	22	30	32	40	50	60
30405159Y	35	2	45	20	20.5	22	24	32	34	42	52	62
30405063Y	31	3	45	21	21.5	23	25	33	35	43	53	63
30405149Y	33	4	45	22	22.5	24	26	34	36	44	54	64
30405160Y	34	6	45	24	24.5	26	28	36	38	46	56	66
30405040Y	42	7	49	25	25.5	27	29	37	39	47	57	67
30405006Y	36	8	45	26	26.5	28	30	38	41	48	58	68
30405162Y	47	10	45	28	28.5	30	32	40	42	50	60	70
30405045Y	44	12	45	30	30.5	32	34	42	44	52	62	72

WITHOUT STOPPER



STOCK CODE	CC	CH	CL	LH:18.5 H	LH:20 H	LH:22 H	LH:25 H	LH:32 H
30405117Y	30	0	45	18.5	20	22	25	32
30405058Y	40	0	51	18.5	20	22	25	32
30405012Y	35	2	45	20.5	22	24	27	34
30405013Y	31	3	45	21.5	23	25	28	35
30405015Y	34	4	45	22.5	24	26	29	36
30405002Y	42	7	49	25.5	27	29	32	39
30405016Y	36	8	45	26.5	28	30	33	40
30405017Y	47	10	45	28.5	30	32	35	42
30405018Y	44	12	45	30.5	32	34	37	44

WITH STOPPER



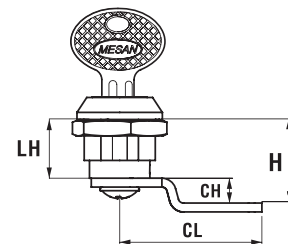
STOCK CODE	CC	CH	CL	LH:13.5 H
30405084Y	10	0	33	13.5
30405085Y	11	7	30	20.5
30405184Y	20	0	25	13.5
30405196Y	22	-6	25	7.5

ADDITIONAL CAMS

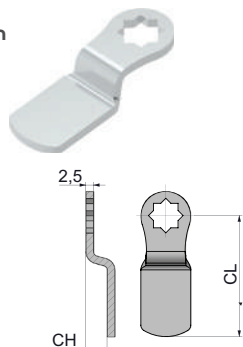
LOCKS

H: Grip
LH: Height of housing
CL: Cam length
CH: Cam height

GROUP CODE	050	150	250	072	066	166	366	566	057	055	165
LH	16.5 20 25 30	20	20	29	13.5	13.5	13.5	13.5	13.5	20 32	16
CAM	1-2	1	1	1	3	3	3	3	4	1	3

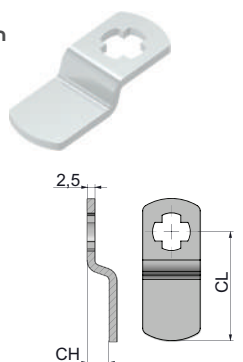


Cam 1

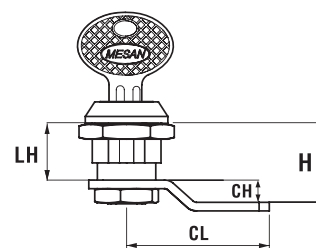


STOCK CODE	CC	CH	CL	LH:16.5 H	LH:20 H	LH:25 H	LH:29 H	LH:30 H	LH:32 H
30403124Y	50	0	43	16.5	20	25	29	30	32
31403010Y	56	0	23	16.5	20	25	29	30	32
31403011Y	30	0	33	16.5	20	25	29	30	32
30403157Y	57	3	48	19.5	23	28	32	33	35
30403125Y	51	7	40	23.5	27	32	36	37	39
30403110Y	52	10	37	26.5	30	35	39	40	42
30403111Y	53	14	33	30.5	34	39	43	44	46

Cam 2

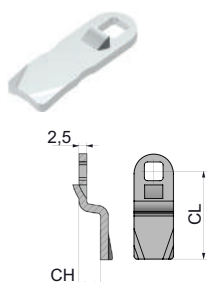


STOCK CODE	CC	CH	CL	LH:16.5 H
30403014Y	10	0	38	16.5
30403100Y	30	0	33	16.5
30403019Y	20	0	49	16.5
30403082Y	11	3	38	19.5
30403015Y	12	7	36	23.5
30403016Y	21	7	47	23.5
30403017Y	22	10	44	26.5
30403022Y	13	0	39	16.5

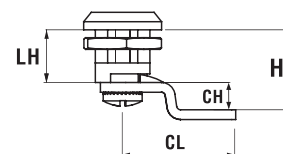


Hook cam (CC:13)

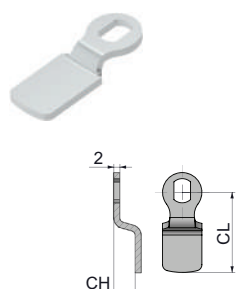
Cam 3



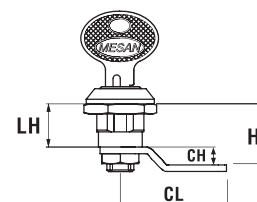
STOCK CODE	CC	CH	CL	LH:13.5 H	LH:16 H
30403084Y	10	0	33	13.5	16
30403184Y	20	0	25	13.5	16
30403183Y	21	6	25	19.5	22
30403085Y	11	7	30	20.5	23
30403196Y	22	-6	25	7.5	10



Cam 4



STOCK CODE	CC	CH	CL	LH:13 H
30403158Y	10	0	24	13
31403016Y	50	0	21	13
30403029Y	20	0	31	13
30403028Y	30	0	36	13
30403089Y	21	3	30	16
30403030Y	22	7	26	20
30403182Y	11	-3	28	10
30403058Y	40	0	31	13

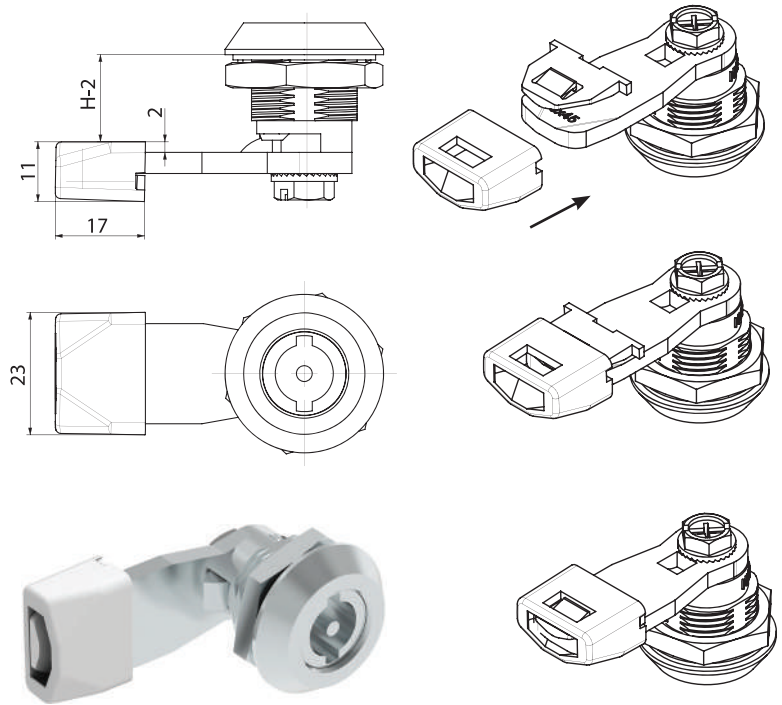


Hook cam (CC:40)

CAM ACCESSORIES

SLIDE SHOE FOR CAM

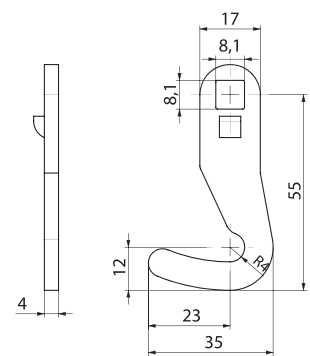
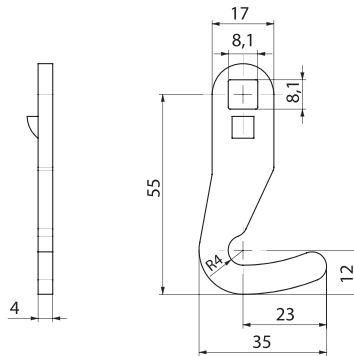
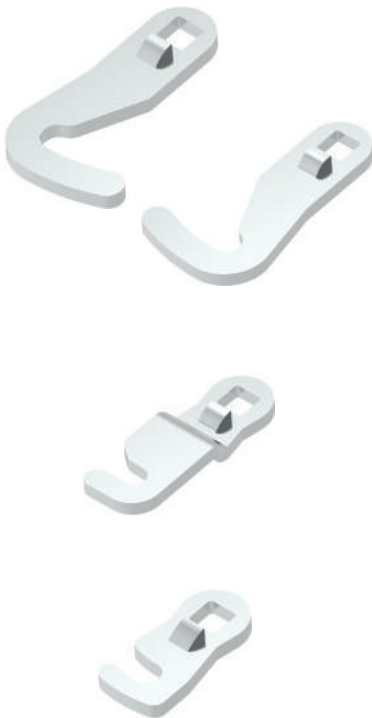
320.02.180



- Reduces the LH and H dimensions by 2 mm. Choose CH -2 mm for cam selection compared to unused

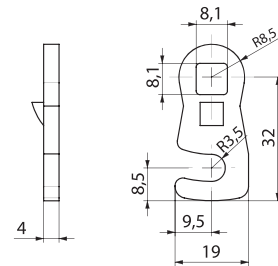
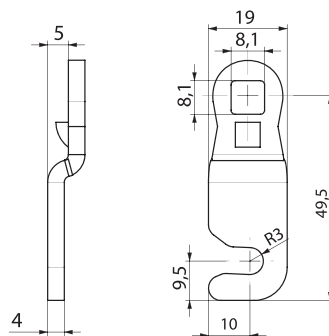
MATERIAL
Delrin

HOOK CAMS



STOCK CODE	CC	CH	CL
30403485	485	0	55

STOCK CODE	CC	CH	CL
30403516	516	0	55



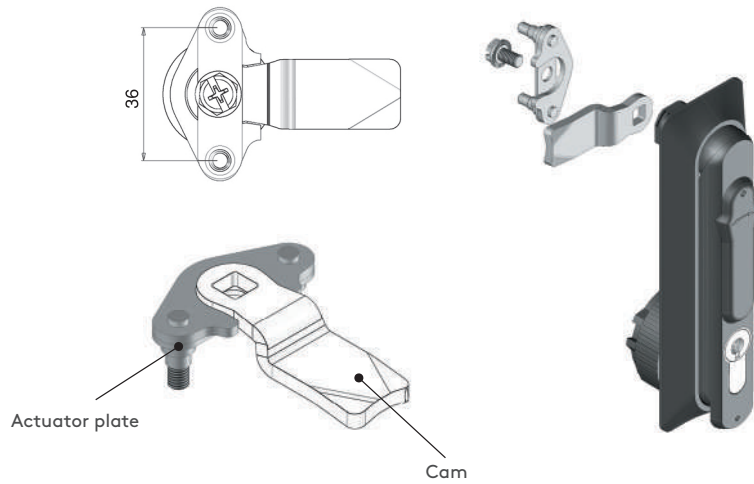
STOCK CODE	CC	CH	CL
30403672	672	-5	49

STOCK CODE	CC	CH	CL
30403712	712	0	32

- With stopper

MATERIAL
Steel

FINISH
Zinc plated



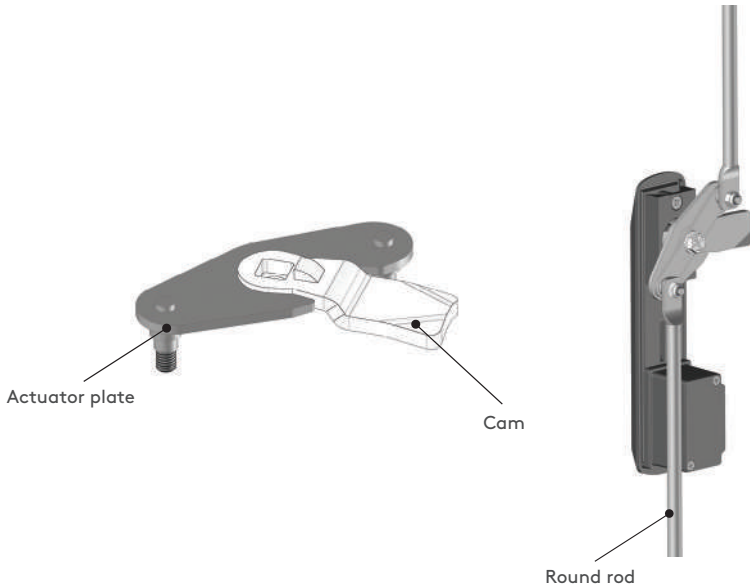
30403499

ACTUATOR PLATE



- three-point locking actuator plate.

MATERIAL
Steel
FINISH
Zinc plated



Right hand
30403563

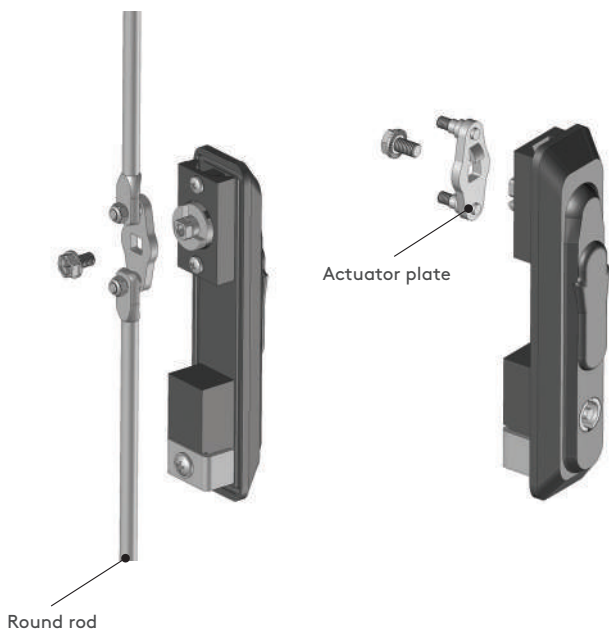
Left hand
30403632

ACTUATOR PLATE



⚠ Note: This plate is used for 501 swing handle (p.30)

ACTUATOR PLATE



30403496

30403495

ACTUATOR PLATE



- 2-point locking actuator plate without stop lip.

ACTUATOR PLATE



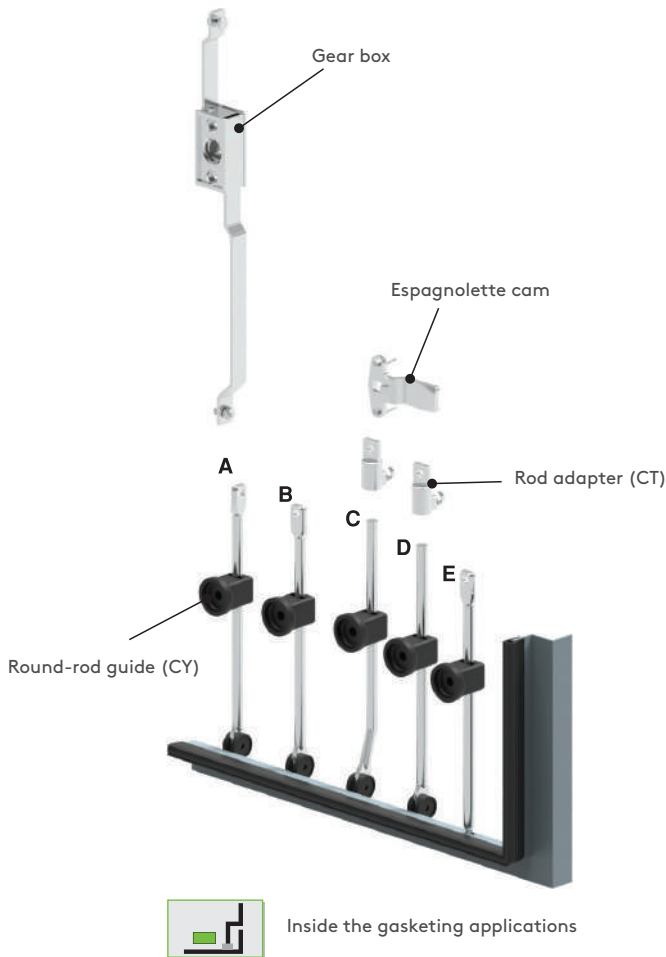
- 22-point locking actuator plate with stop lip.

MATERIAL
Steel
FINISH
Zinc plated

Espagnolette round and flat rod applications and accessories

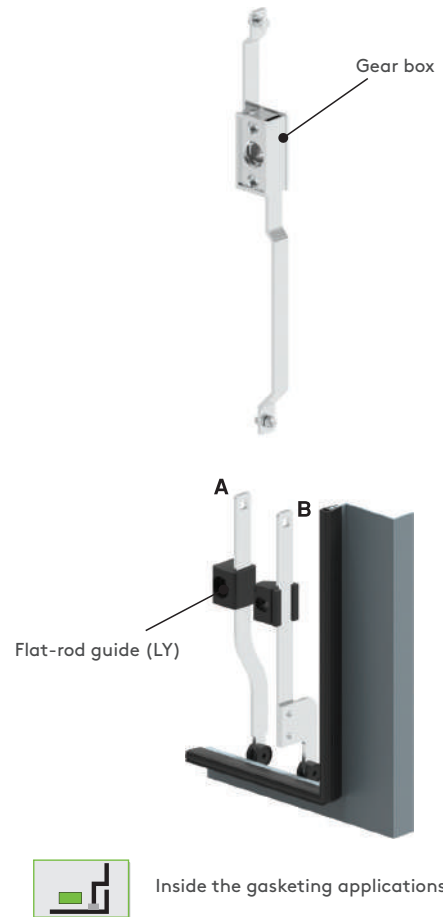
IC

▶ **ROUND-ROD APPLICATIONS**



IL

▶ **FLAT-ROD APPLICATIONS**



A - IC.4.L: Suitable for the gear-box applications. Rod adapter can not be used.

B - IC.3.L: Suitable for the espagnolette-cam applications. Rod adapter can not be used.

C - IC.6.L: Suitable for both gear-box and espagnolette-cam applications. Rod adapter can be used.

D - IC.2.L: Suitable for both gear-box and espagnolette-cam applications. Rod adapter can be used.

E - IC.1.L: Suitable for both gear-box and espagnolette-cam applications. Rod adapter can not be used. Alternative locking achievable with locking hole.

- Different rod-lengths are available. Please check the next pages
- Round-rod guide must be used for all applications. Please check the accessory pages

A - IL.1.h.1020: Suitable for the gear box applications. Two height (h) alternatives are available.

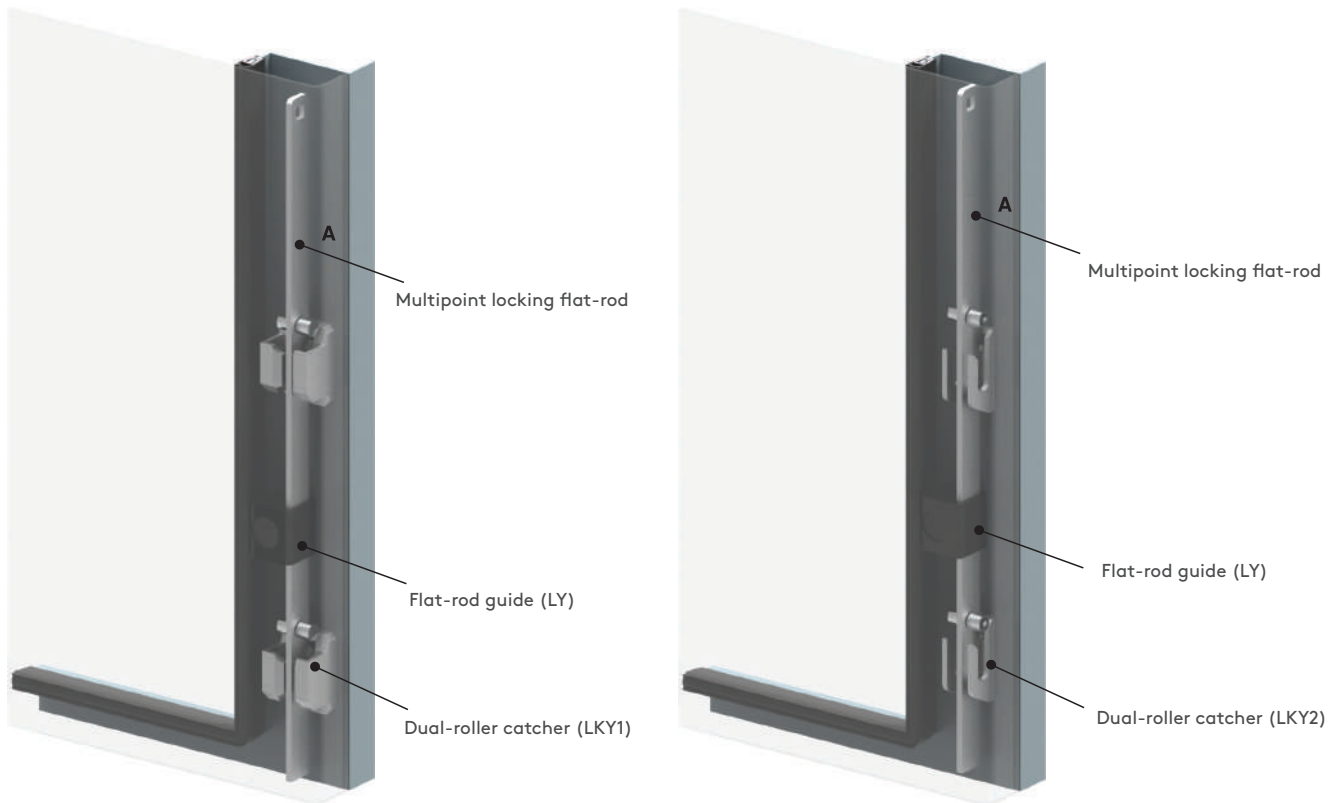
B - IL.2.h.1020: Suitable for the gear-box applications. Four height (h) alternatives are available.

- Flat-rod guide must be used for all espagnolette flat-rod applications. Please check the accessory pages
- Standard flat-rod length is 1020mm

Flat rod applications for multipoint locking and accessories.

ILP

► MULTIPOINT LOCKING FLAT-ROD APPLICATIONS



Outside the gasketing applications

A - ILP.1.575 Suitable for out-of-gasket locks

- Flat-rod guide and dual-roller catcher must be used for all espagnolette flat-rod applications. Please check the accessory pages

▶ ROUND-ROD ACCESSORIES

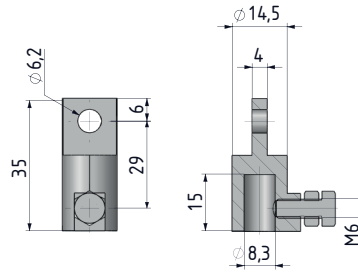
ROD ADAPTER

CT1



MATERIAL
Zamak DIN-EN 1774-ZnAl4Cu1

FINISH
Zinc plated



MATERIAL	FINISH	PRODUCT CODE
Zamak	Chrome plated	CT111
Stainless Steel	No finish	CT140



ROD ADAPTER

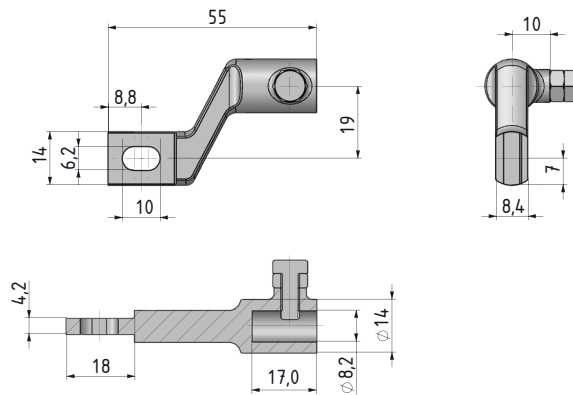
CT2



- For horizontal application

MATERIAL
Zamak DIN-EN 1774-ZnAl4Cu1

FINISH
Zinc plated

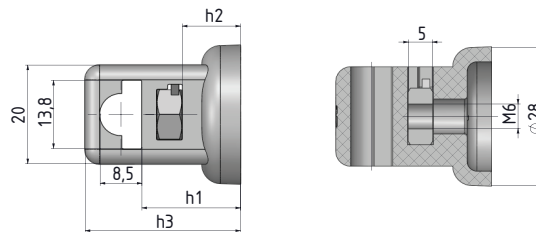


ROUND-ROD GUIDE

CY1



MATERIAL
Polyamide PA6 GFR 30



H1	H2	H3	FIXING SCREW	PRODUCT CODE
20	12	32	M6 X 16	CY120
24	16	36	M6 X 20	CY124
26	18	38	M6 X 22	CY126

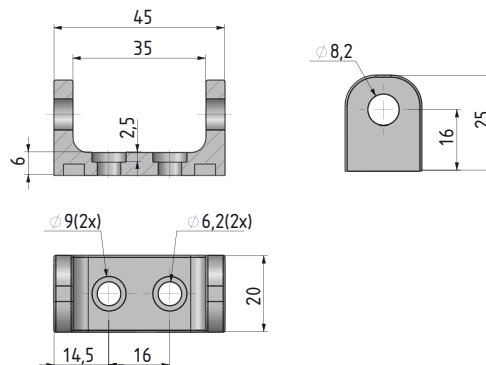


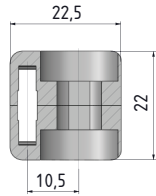
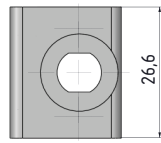
ROUND-ROD GUIDE

CY2



MATERIAL
Delrin





MATERIAL	FINISH	PRODUCT CODE
Plastic	No finish	LY120
Stainless Steel	No finish	LY140

LY1

FLAT ROD GUIDE

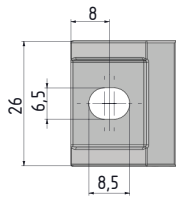
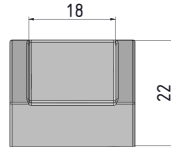
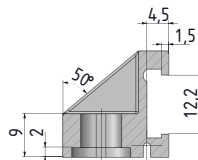


NEW



LY2

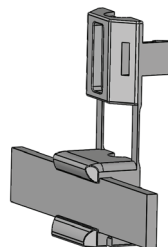
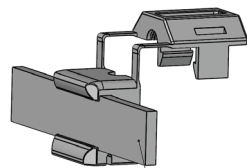
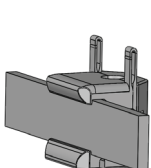
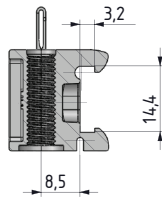
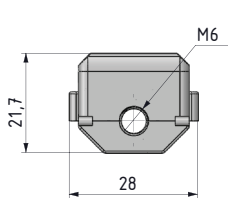
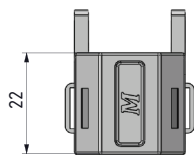
FLAT-ROD GUIDE



MATERIAL
Polyamide PA6 GFR 30

LY3

FLAT ROD GUIDE (Easy fixing)



FLAT ROD



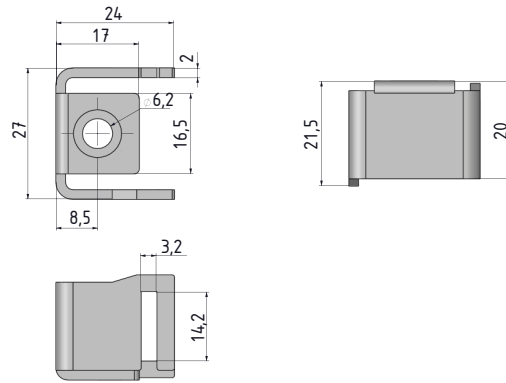
MATERIAL
Polyamide PA6 GFR 30

FLAT-ROD GUIDE

LY40



MATERIAL
Stainless steel

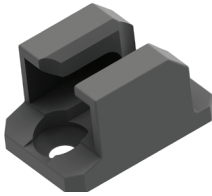


DUAL - ROLLER CATCHER

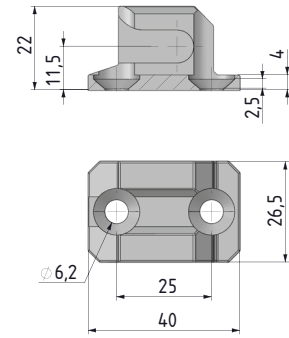
LKY1



NEW



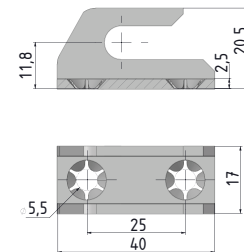
NEW



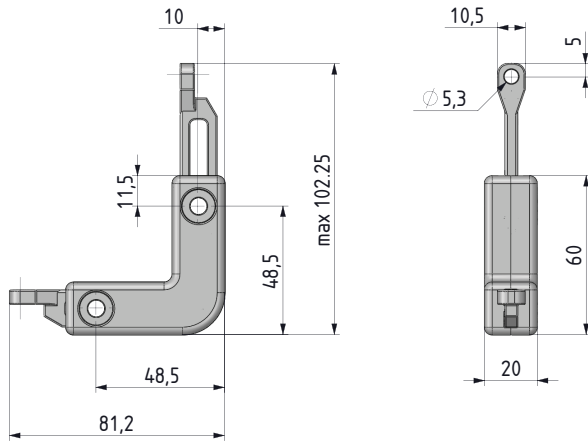
MATERIAL	FINISH	PRODUCT CODE
Plastic	No finish	LKY120
Zamak	Chrome plated	LKY111
Zamak	Black coated	LKY112
Stainless Steel	No finish	LKY140

DUAL - ROLLER CATCHER

LKY2



MATERIAL	FINISH	PRODUCT CODE
Steel	Zinc plated	LKY263
Stainless Steel	No finish	LKY240



RCC

ROD CORNER CONTROL

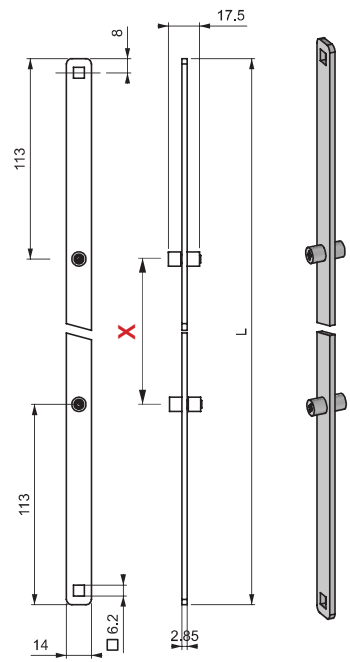
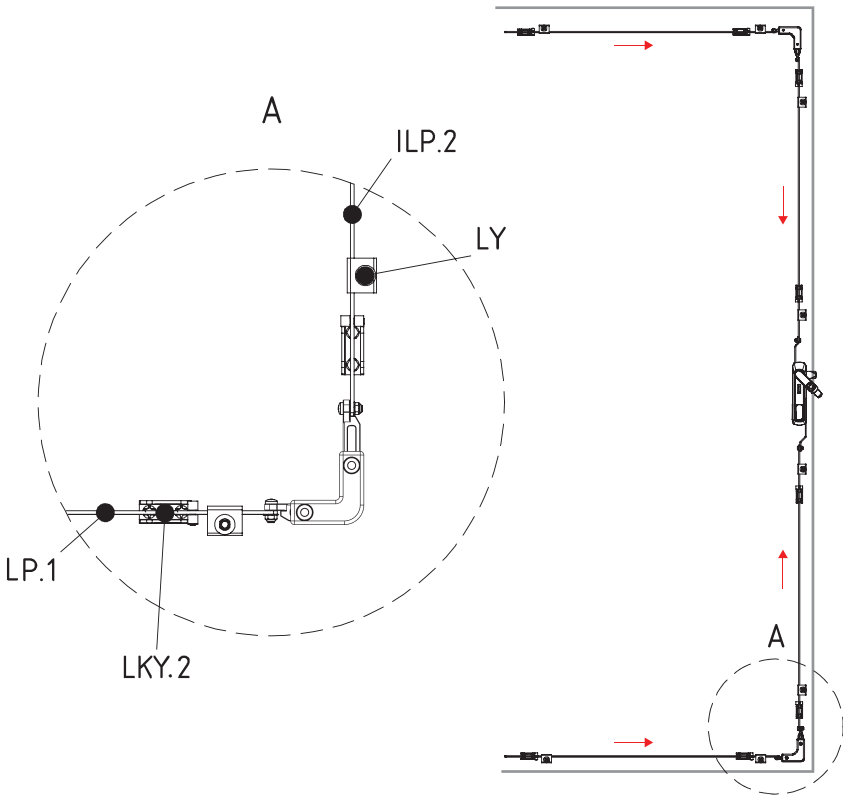


- Used to convert the vertical movement of the flat rods to horizontal movement
- 8 point locking is possible for security reasons

MATERIAL
 BODY: Polyamide PA6 GFR 30
 RODS: Zamak DIN-EN 1774-ZnAl4Cu1

ILP

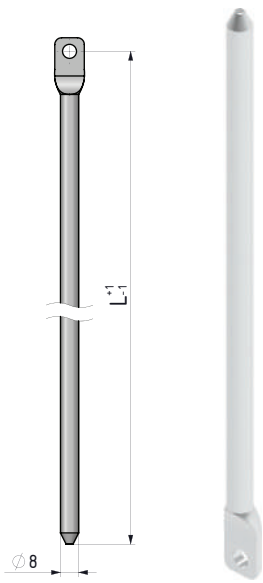
MULTIPOINT LOCKING FLAT ROD



Group Code	Version	Length Between Pins
ILP	2	X

Please specify for different 'X' length

MATERIAL
 Steel
FINISH
 Zinc Plated



V:1

L mm	PRODUCT CODE
400	IC 1-400
500	IC 1-500
600	IC 1-600
700	IC 1-700
800	IC 1-800
900	IC 1-900
1000	IC 1-1000

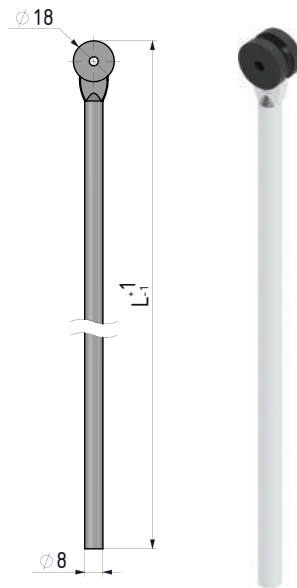
Application:

- With gear-box locks
- Locks with three-point cam



Accessories:

- Round-rod guide (CY)



V:2

L mm	PRODUCT CODE
400	IC 2-400
500	IC 2-500
600	IC 2-600
700	IC 2-700
800	IC 2-800
900	IC 2-900
1000	IC 2-1000

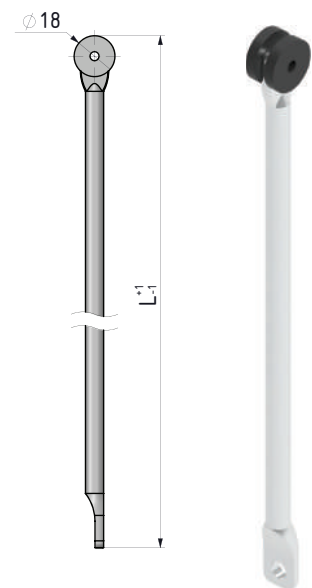
Application:

- With gear-box locks
- Locks with three-point cam



Accessories:

- Round-rod guide (CY)
- Rod adapter (CT)



V:3

L mm	PRODUCT CODE
400	IC 3-400
500	IC 3-500
600	IC 3-600
700	IC 3-700
800	IC 3-800
900	IC 3-900
1000	IC 3-1000

Application:

- Locks with three-point cam



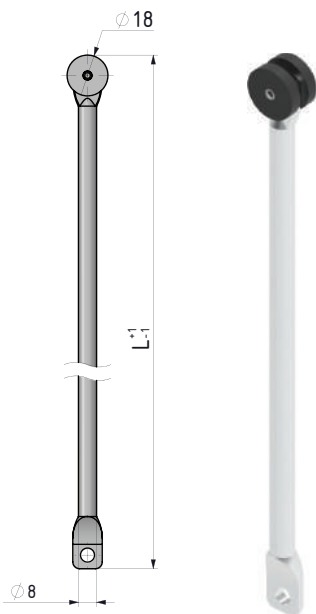
Accessories:

- Round-rod guide (CY)

- Stainless steel version: page 430

Group Code	Version	Length
IC	V	L

For different 'L' lengths, please contact Essentra



V: 4

L mm	PRODUCT CODE
400	IC 4-400
500	IC 4-500
600	IC 4-600
700	IC 4-700
800	IC 4-800
900	IC 4-900
1000	IC 4-1000

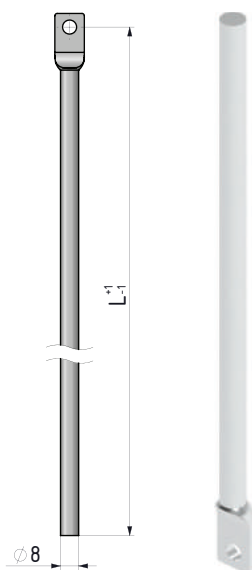
Application:

- With gearbox locks



Accessories:

- Round-rod guide (CY)



V: 5

L mm	PRODUCT CODE
400	IC 5-400
500	IC 5-500
600	IC 5-600
700	IC 5-700
800	IC 5-800
900	IC 5-900
1000	IC 5-1000

Application:

- With gear-box locks
- Locks with three-point cam



Accessories:

- Round-rod guide (CY)

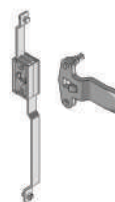


V: 6

L MM	PRODUCT CODE
400	IC 6-400
500	IC 6-500
600	IC 6-600
700	IC 6-700
800	IC 6-800
900	IC 6-900
1000	IC 6-1000

Application:

- With gear-box locks
- Locks with three-point cam



Accessories:

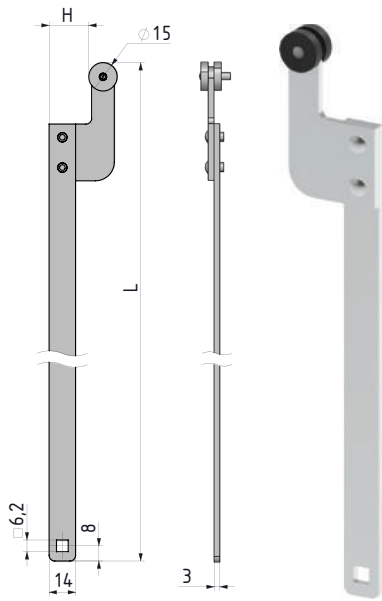
- Round-rod guide (CY)
- Rod adapter (CT)

- Stainless steel version: page 542

Group Code	Version	Length
IC	V	L

For different 'L' lengths, please contact Essentra

FLAT RODS



V:1

H mm	L mm	PRODUCT CODE
27	1020	IL 1-27-1020
13	1020	IL 1-13-1020

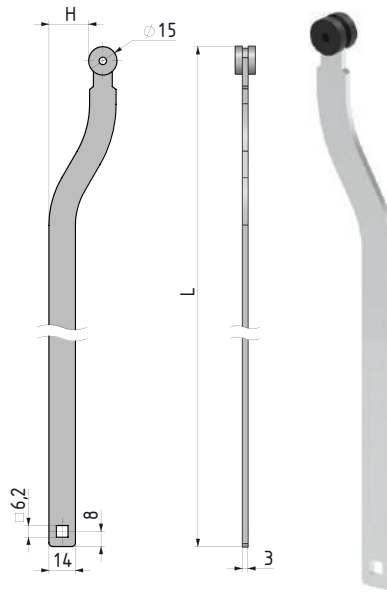
Application:

- With gear-box locks



Accessories:

- Flat-rod guide (LY)



V:2

H mm	L mm	PRODUCT CODE
21	1020	IL 2-21-1020
16	1020	IL 2-16-1020

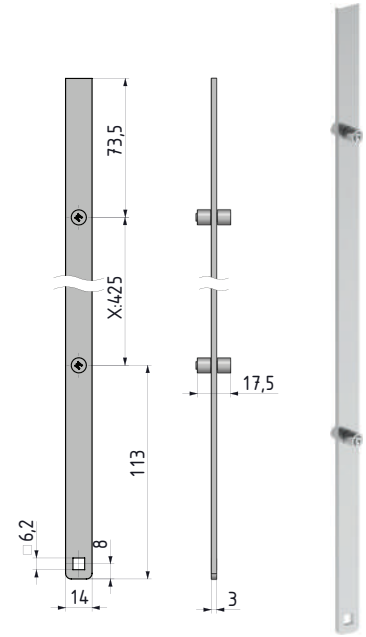
Application:

- With gear-box locks



Accessories:

- Flat-rod guide (LY)



V:1

X mm	PRODUCT CODE
575	ILP 1-575

Application:

- With gear-box locks



Accessories:

- Flat-rod guide (LY)
- Dual-roller catcher (LKY)

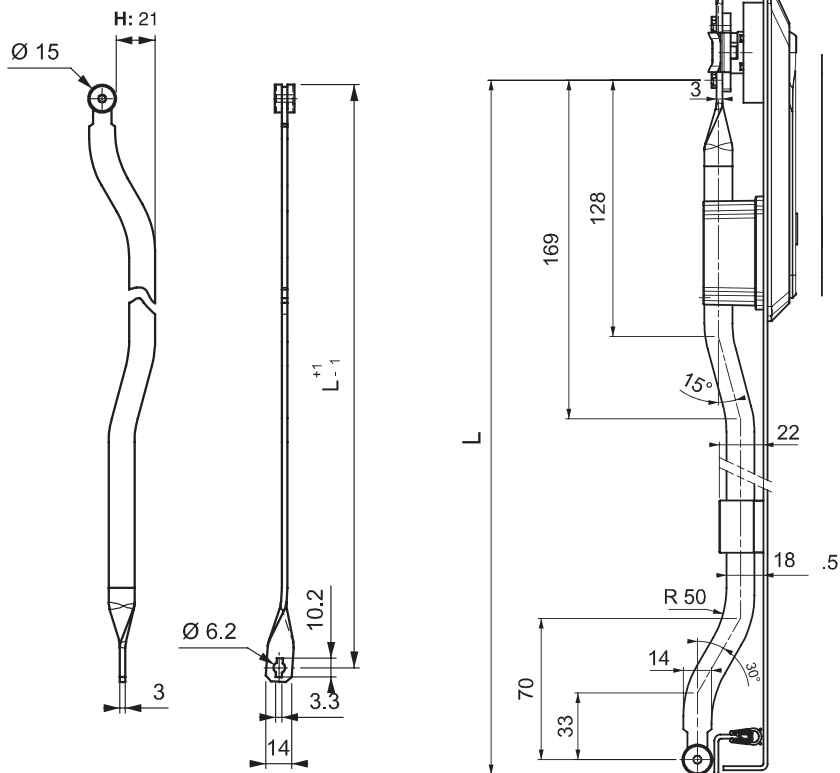
- Stainless steel version: page 453

Group Code	Version	Offset	Length
IL	V	H	L

For different 'L' lengths, please contact Essentra Components

Group Code	Version	Length Between Pins
ILP	1	X

Please specify for different 'X' length



Group Code	Version	Offset	Length
IL	3	21	L

Please specify for different 'L' length

FLAT ROD

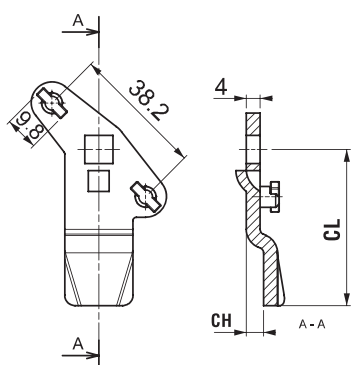


- T-shape rivets on cam provide easy assembly of rods.

MATERIAL
Steel
FINISH
Zinc plated



3-POINT CAM



STOCK CODE	CH	CL
34003591Y	5	45
34003592Y	20	45

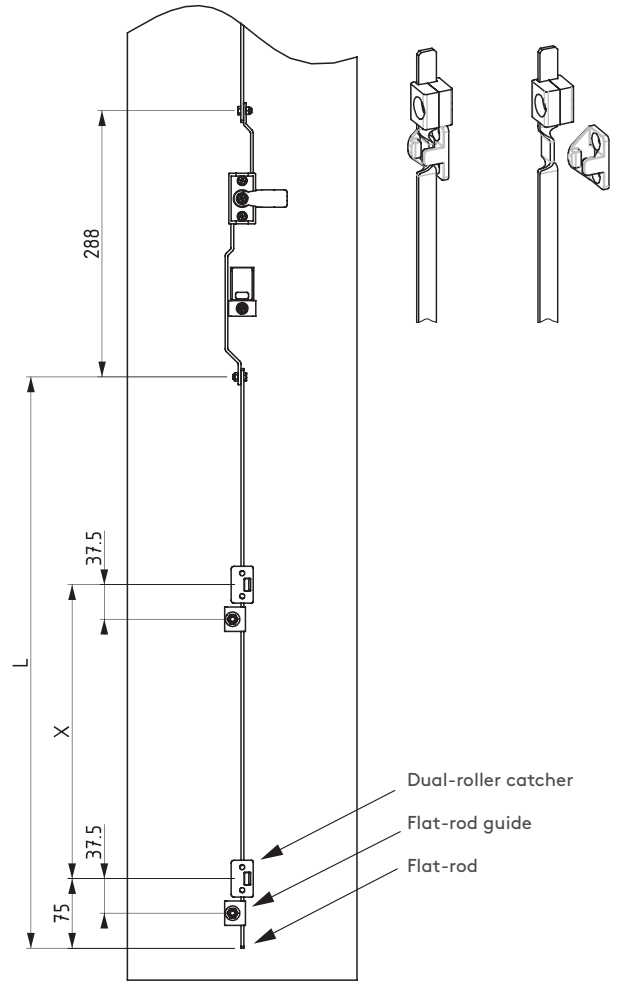


FLAT ROD



MATERIAL
Steel

FINISH
Zinc plated



DUAL-ROLLER CATCHER

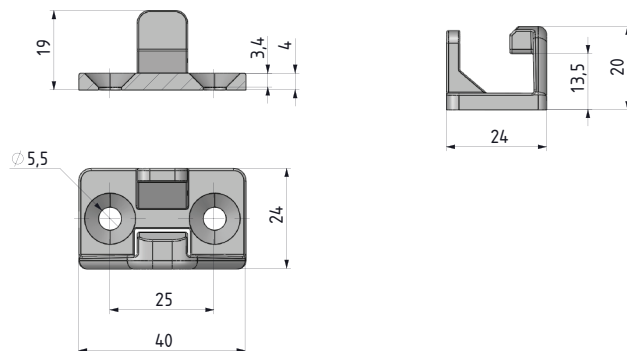
LKY3

Group Code	Version	Length	Locking
IL	4	L	X

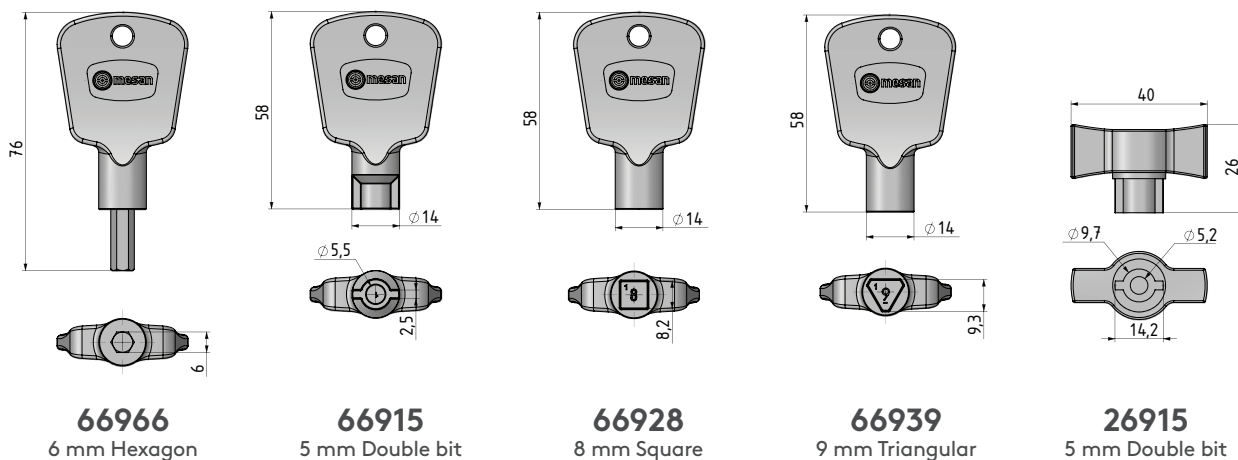



MATERIAL
Zamak DIN-EN 1774-ZnAl4Cu1

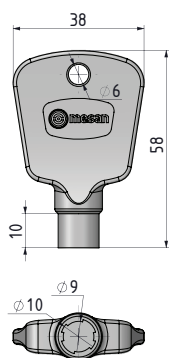
FINISH
Zinc plated




POLYAMIDE KEYS

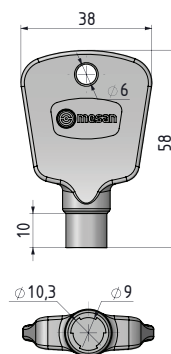


 **Not:** Suitable for 040 & 540 compression locks



66993
Tubular key

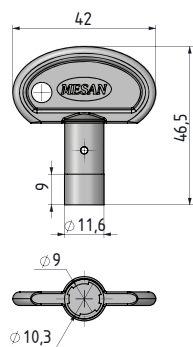
 **Not:** Suitable for 140 compression lock




76993
Tubular key

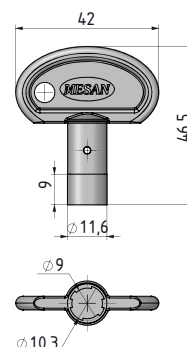
METAL KEYS

 **Not:** Suitable for 040 & 540 compression locks



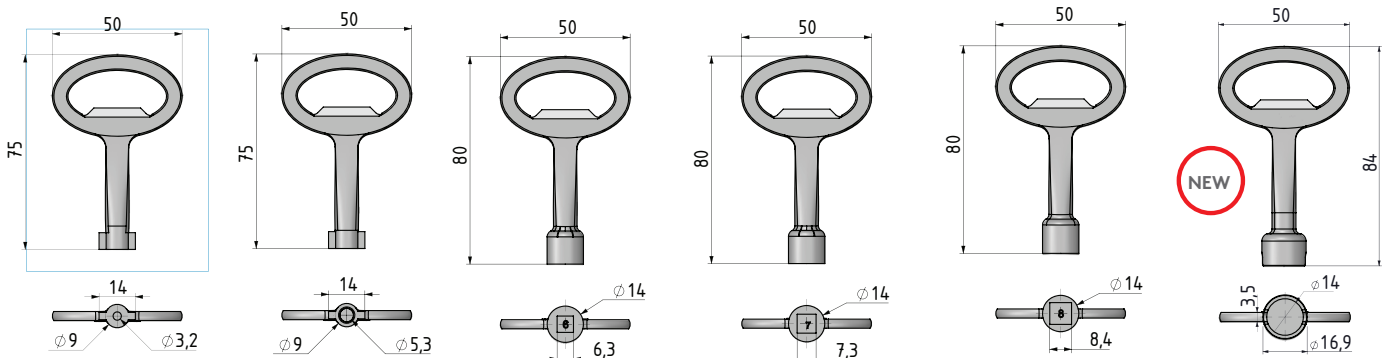
Tubular key
Chrome plated: **36911**
Black coated : **36912**

 **Not:** Suitable for 140 compression lock

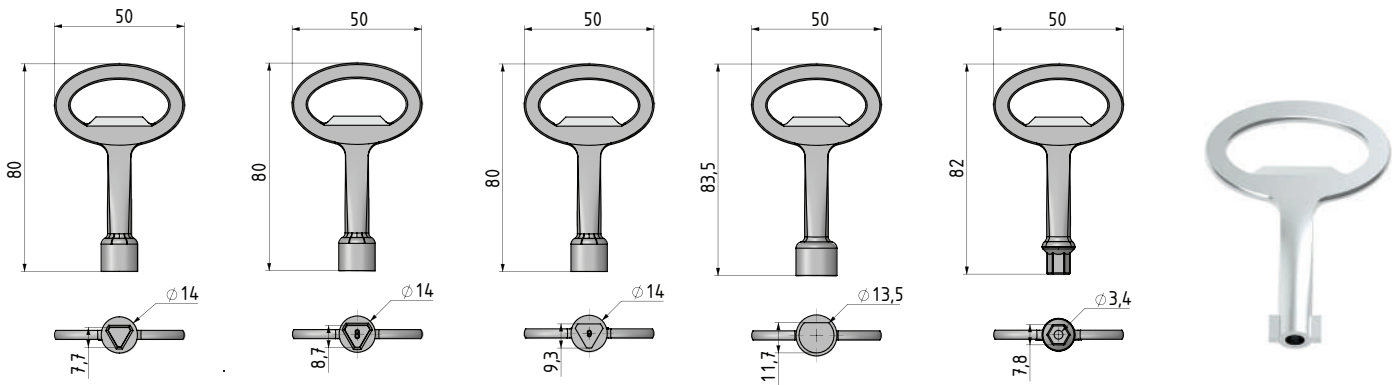


Tubular key
Chrome plated: **46911**
Black coated : **46912**

METAL KEYS (LONG)

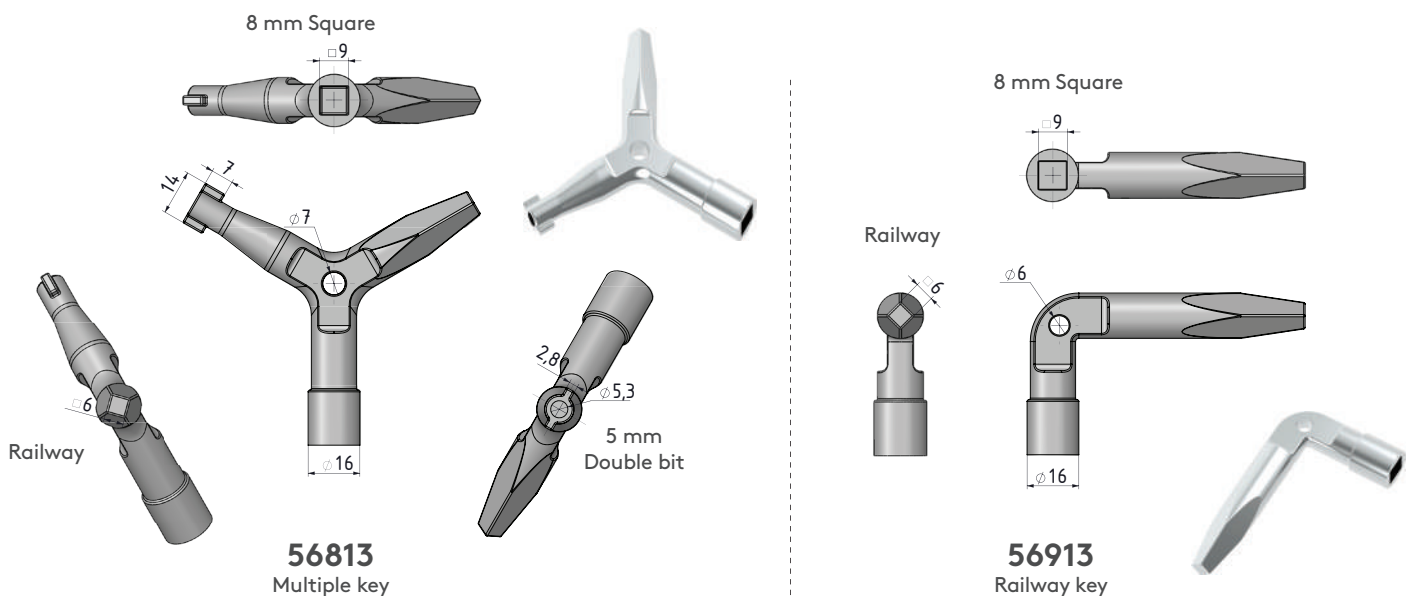


36813 3 mm Double bit **36815** 5 mm Double bit **36826** 6 mm Square **36827** 7 mm Square **36828** 8 mm Square **36896** Ebr



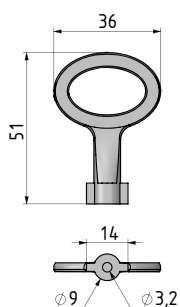
36837 7 mm Triangular **36838** 8 mm Triangular **36839** 9 mm Triangular **36891** Eastern **36868** 8 mm Hexagon High security

MULTIPLE KEYS (METAL)

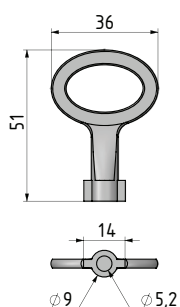


56813 Multiple key **56913** Railway key

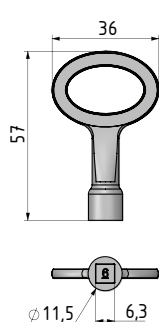
METAL KEYS (SHORT)



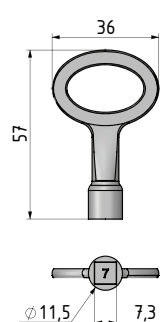
26713
3 mm Double bit



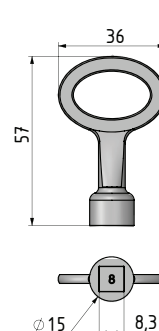
26715
5 mm Double bit



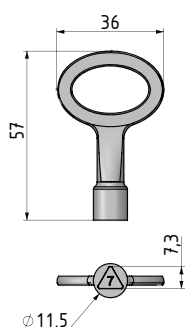
26726
6 mm Square



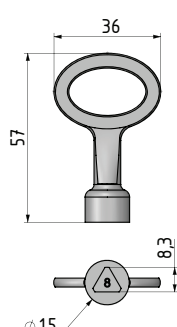
26727
7 mm Square



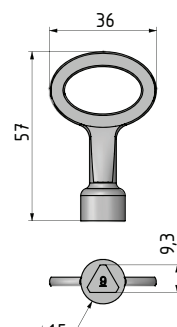
26728
8 mm Square



26737
7 mm Triangular



26738
8 mm Triangular

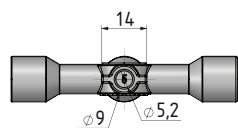


26739
9 mm Triangular

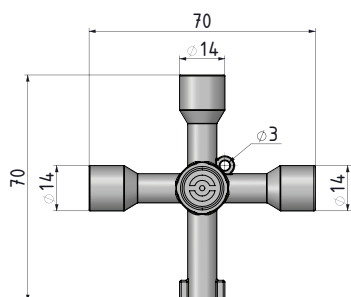
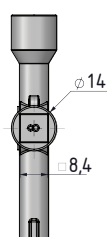
MULTIPLE KEYS (METAL)

NEW

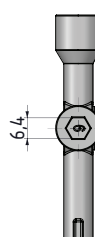
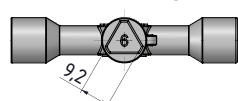
5 mm Double bit



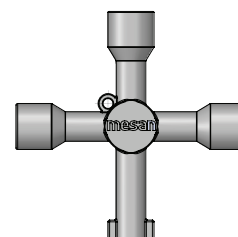
8 mm Square



9 mm Triangular



6 mm Hexagon



Chrome plated: 66811
Black coated : 66812



195



196



197



198



199



200-201



202



203



204



205



206



207



208



209



NEW

210-211



212



213



214



215



216



217



218



219



219



220



221



222



223



224



225



226



227



228



229



230



231



232-233



234



235



236



NEW

237



238



239



240



NEW

241



NEW

242



243,245



244



QUARTER-TURN LOCKS

192-245





▶ QUARTER-TURN LOCKS


M	F	
1	1	Zamak/chrome plated
1	2	Zamak/black coated
2	0	Polyamide/No finish


M MATERIAL **F** FINISH **DD** DRIVER CODE


DRIVERS


3 mm Double bit		M	F	Stock code
DD		1	1	30101127Y
		1	2	30101126Y
		2	0	30102012Y


5 mm Double bit		M	F	Stock code
DD		1	1	30101099Y
		1	2	30101125Y
		2	0	30102001Y


8 mm Square		M	F	Stock code
DD		1	1	30101113Y
		1	2	30101065Y
		2	0	30102011Y


6 mm Square		M	F	Stock code
DD		1	1	30101058Y
		1	2	30101139Y
		2	0	30102009Y


7 mm Square		M	F	Stock code
DD		1	1	30101039Y
		1	2	30101138Y
		2	0	30102010Y


9 mm Triangular		M	F	Stock code
DD		1	1	30101066Y
		1	2	30101140Y
		2	0	30102007Y


7 mm Triangular		M	F	Stock code
DD		1	1	30101124Y
		1	2	30101120Y
		2	0	30102008Y


8 mm Triangular		M	F	Stock code
DD		1	1	30101114Y
		1	2	30101064Y
		2	0	30102006Y


Slot		M	F	Stock code
DD		1	1	30101636Y
		1	2	30101637Y
		2	0	•


Slot (2x4)		M	F	Stock code
DD		1	1	30101146Y
		1	2	30101149Y
		2	0	30102005Y


8 mm Square Slot		M	F	Stock code
DD		1	1	30101175Y
		1	2	30101176Y
		2	0	•


10 mm Hexagon female		M	F	Stock code
DD		1	1	30101169Y
		1	2	30101170Y
		2	0	•


8 mm Hexagon female		M	F	Stock code
DD		1	1	30101195Y
		1	2	30101196Y
		2	0	•

5x10 Slot		M	F	Stock code
DD		1	1	30101188Y
		1	2	30101189Y
		2	0	•


6 mm Square		M	F	Stock code
DD		1	1	30101173Y
		1	2	30101174Y
		2	0	•


Railway		M	F	Stock code
DD		1	1	30101171Y
		1	2	30101172Y
		2	0	•

Eastern		M	F	Stock code
DD		1	1	30101177Y
		1	2	30101178Y
		2	0	•

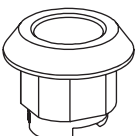
Tork (T-30)		M	F	Stock code
DD		1	1	30101213Y
		1	2	•
		2	0	•


11 mm Hexagon male		M	F	Stock code
DD		1	1	30101675Y
		1	2	30101676Y
		2	0	•

Fiat		M	F	Stock code
DD		1	1	30101677Y
		1	2	30101678Y
		2	0	•


NEW EBR		M	F	Stock code
DD		1	1	30101939Y
		1	2	•
		2	0	•

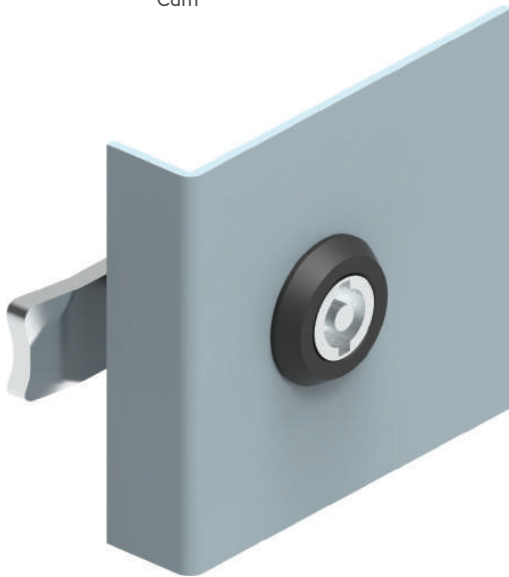
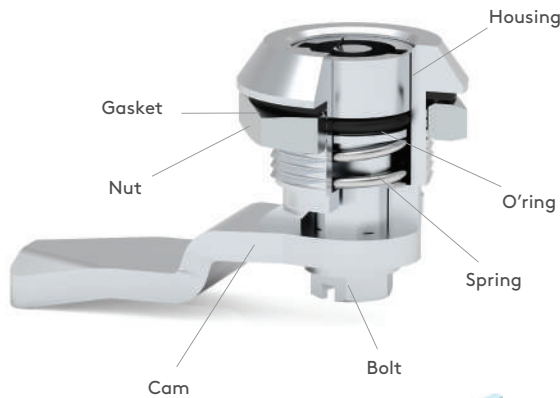
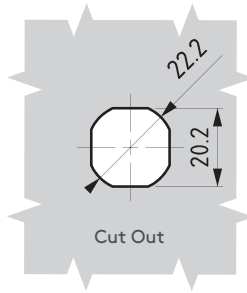
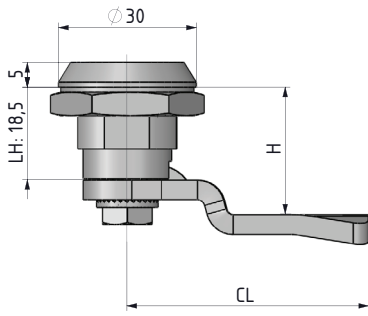
HOUSING, NUT, SEALING WASHER, SPRING, SCREW, O-RING

Housing		M	F	Stock code
	1	1	30301019Y	
	1	2	30301035Y	
	1	1	*30301226Y	
	1	2	*30301283Y	
	2	0	30302061Y	

Nut		M	F	Stock code
	1	1	30501015Y	
	2	0	30502002Y	

* Suitable for Railway driver

Sealing Washer		Stock code
	Sealing Washer	30802021Y
	Spring	30703001Y
	Screw (6x10 Kombi)	30603002Y
	Screw (5x11 RYSB)	30603055Y
	O'Ring (IP 65)	30802002Y



060

QUARTER TURN –
SPRING LOADED



- **Stainless steel version: page: 458**
- Specially designed internal spring provides 1.5 mm of compression
- Cam does not rotate beyond quarter turn due to stop lip

MATERIAL

HOUSING: Zamak DIN-EN 1774-ZnAl4Cu1 or PA6 GFR 30

DRIVER: Zamak DIN-EN 1774-ZnAl4Cu1 or PA6 GFR 30

CAM: Steel or plastic
GASKET: Rubber

FINISH

Chrome plated or black coated

MATERIAL	M	FINISH	F
Zamak	1	Chrome plated	1
		Black coated	2
Plastic	2	No finish	0

Group Code	Housing	Driver	Driver No	Cam
060	M	F	M	F
			DD	CC

For cams please check pages: 170 - 171

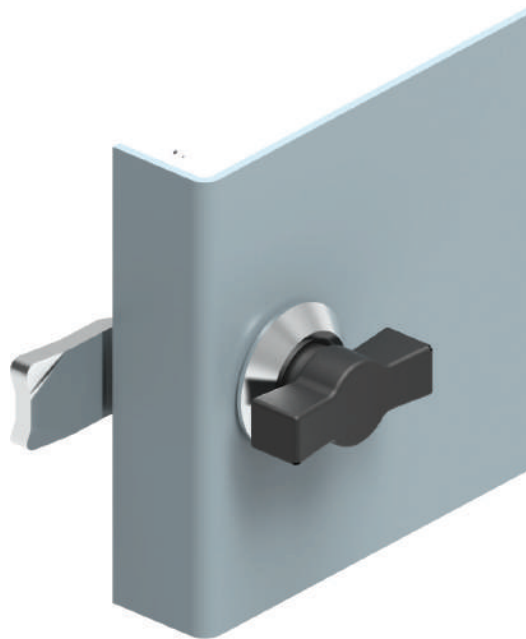
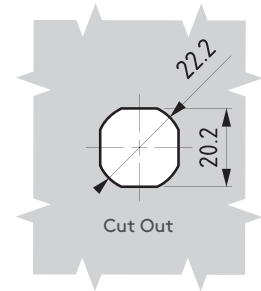
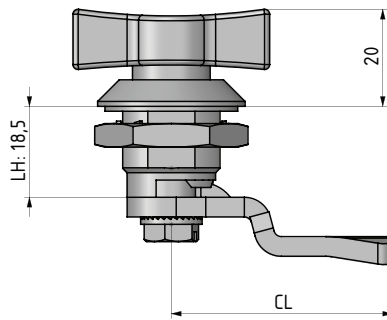
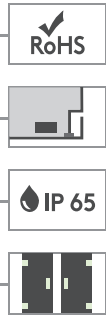
For rods please check pages: 178 - 188

For keys please check pages: 189 - 191

▶ QUARTER-TURN LOCKS

QUARTER TURN – WING KNOB

062



- Wing operates lock and serves as knob

MATERIAL

HOUSING: Zamak DIN-EN 1774-ZnAl4Cu1 or PA6 GFR 30

KNOB: Zamak DIN-EN 1774-ZnAl4Cu1 or PA6 GFR 30

CAM: Steel or Plastic
GASKET: Rubber

FINISH

Chrome or Black coated

MATERIAL	M	FINISH	F
Zamak	1	Chrome plated	1
		Black coated	2
Plastic	2	No finish	0

Group Code	Housing	Knob	Cam
062	M	F	CC

For cams please check pages: 170 - 171

For rods please check pages: 178 - 188



362

QUARTER TURN -
WING KNOB



- Wing operates lock and serves as knob

MATERIAL

HOUSING: Zamak DIN-EN 1774-ZnAl4Cu1 or PA6 GFR 30
 KNOB: Zamak DIN-EN 1774-ZnAl4Cu1 or PA6 GFR 30

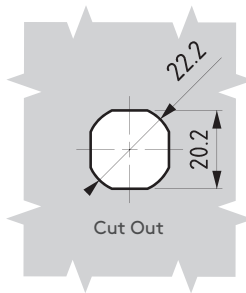
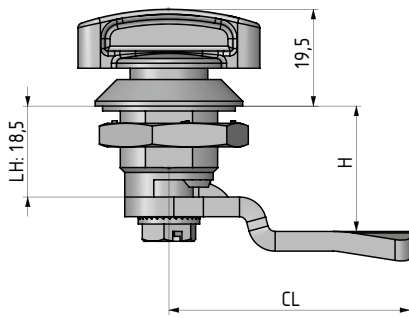
CAM: Steel or plastic
 GASKET: Rubber

FINISH

Chrome plated or black coated

For cams please check pages: 170 - 171

For rods please check pages: 178 - 188



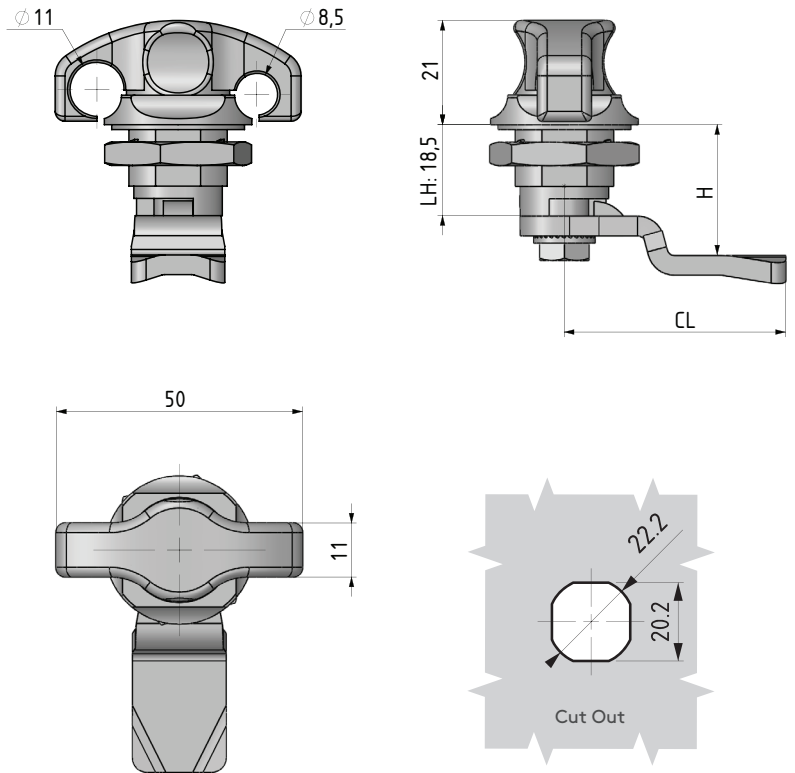
MATERIAL	M	FINISH	F
Zamak	1	Chrome plated	1
		Black coated	2
Plastic	2	No finish	0

Group Code	Housing	Knob	Cam
362	M F	M F	CC

▶ QUARTER-TURN LOCKS

PADLOCKABLE WING KNOB

562



- Stainless Steel version: page 471
- Shackle diameter is
 - for 11 mm hole:
 - min. 8.5 mm
 - max. 10 mm
 - for 8.5 mm hole:
 - min. 6 mm
 - max. 7.5 mm

MATERIAL

HOUSING: Zamak DIN-EN 1774-ZnAl4Cu1
 KNOB: Zamak DIN-EN 1774-ZnAl4Cu1
 CAM: Steel

FINISH

Chrome plated or black coated

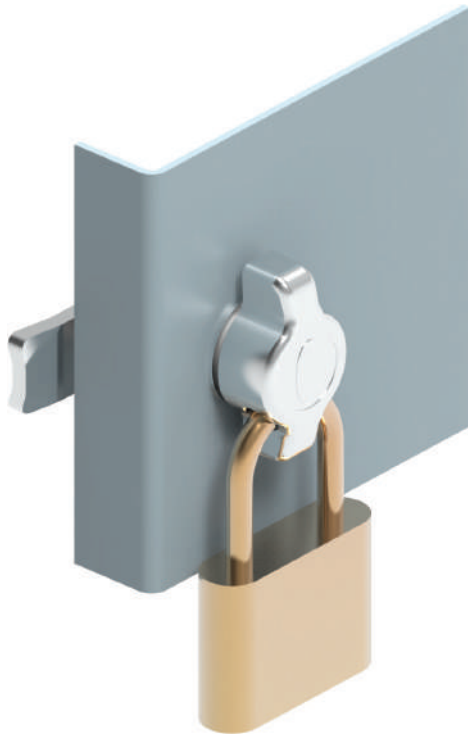
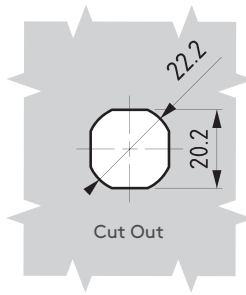
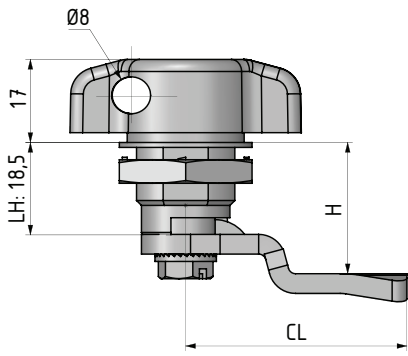


FINISH	F
Chrome plated	1
Black coated	2

Group Code	Finish	Cam
562	F	CC

For cams please check pages: 170 - 171

For rods please check pages: 178 - 188



262

PADLOCKABLE WING KNOB



• Padlockable wing knob. Maximum shackle diameter 6 mm

MATERIAL

HOUSING: Zamak DIN-EN 1774-ZnAl4Cu1
 KNOB: Zamak DIN-EN 1774-ZnAl4Cu1
 CAM: Steel

FINISH

Chrome plated or black coated

FINISH	F
Chrome plated	1
Black coated	2

DOOR DIRECTION	
Right hand	001
Left hand	002

Group Code	Finish	Cam	Door Direction
262	F	CC	

For cams please check pages: 170 - 171

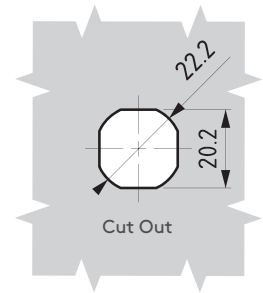
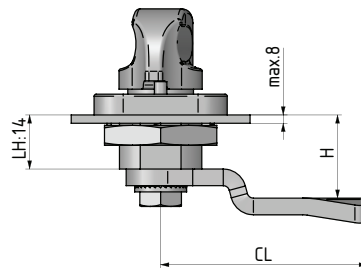
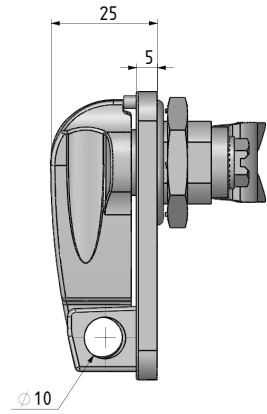
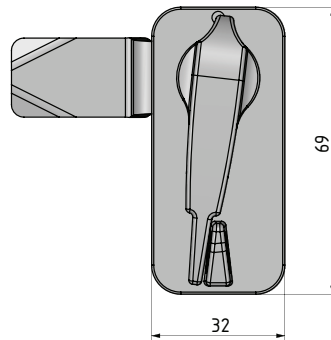
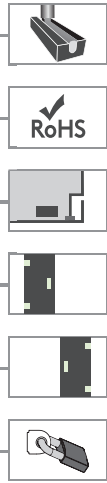
For rods please check pages: 178 - 188

▶ QUARTER-TURN LOCKS

QUARTER TURN-PADLOCKABLE

662

V:1



- Standard cams without stopper required for these locks
- Maximum shackle diameter 8 mm

MATERIAL

HOUSING: Zamak DIN-EN 1774-ZnAl4Cu1
 KNOB: Zamak DIN-EN 1774-ZnAl4Cu1
 CAM: Steel

FINISH

Chrome plated or black coated



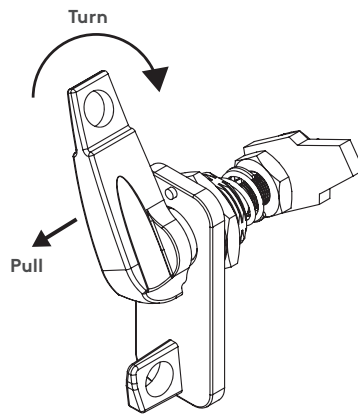
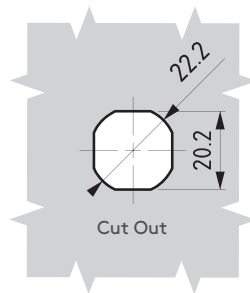
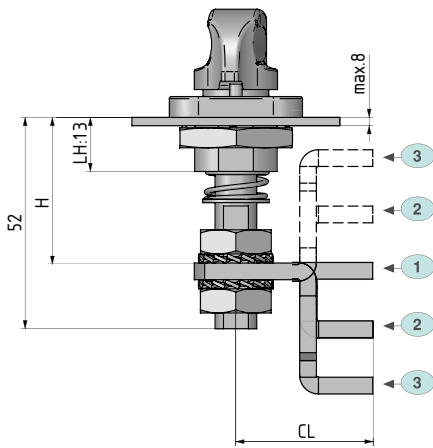
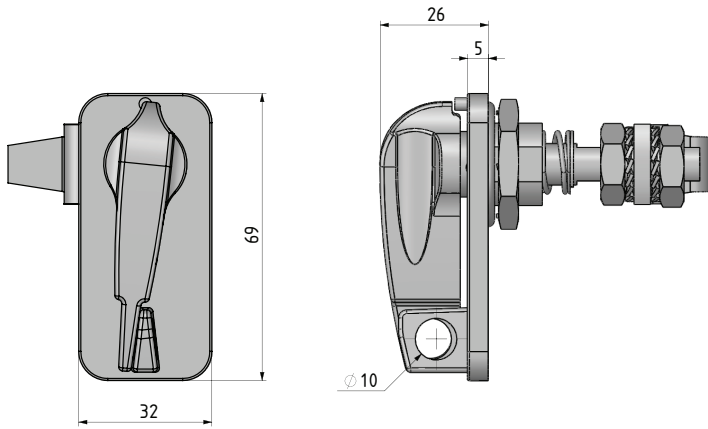
MATERIAL	M	FINISH	F	DOOR DIRECTION	
Zamak	1	Chrome plated	1	Right hand	001
		Black coated	2	Left hand	002

Group Code	Version	Material	Finish	Cam	Door Direction
662	1	1	F	CC	

For cams please check pages: 170 - 171



V: 2



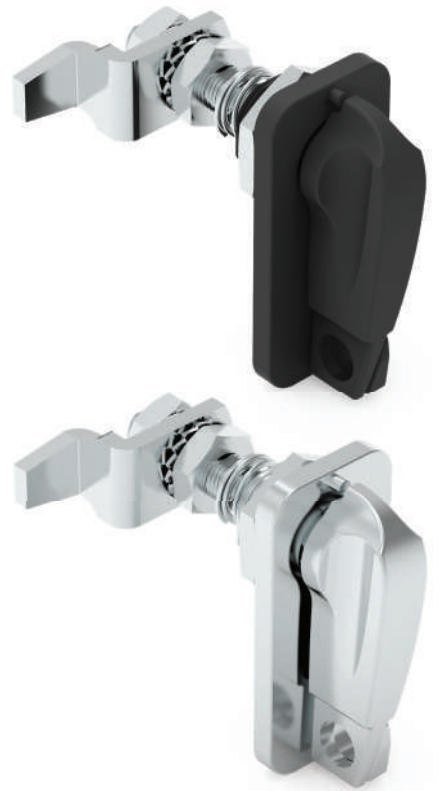
CAM	CC	CH	CL	POSITION	H: GRIP	
					MIN	MAX
1	01	0	33	Flat	30	41,5
2	02	14	33	Up	16	27,5
				Down	44	55,5
3	03	27,5	33	Up	2,5	14
				Down	57,5	69

MATERIAL	M	FINISH	F
Zamak	1	Chrome plated	1
		Black coated	2

Group Code	Version	Material	Finish	Cam
662	2	1	F	CC

662

QUARTER TURN-PADLOCKABLE



- Adjustable cam
- Three different cam alternatives available
- Maximum shackle diameter 8 mm
- Suitable for left-hand and right-hand applications

MATERIAL
 HOUSING: Zamak DIN-EN 1774-ZnAl4Cu1
 KNOB: Zamak DIN-EN 1774-ZnAl4Cu1
 CAM: Steel

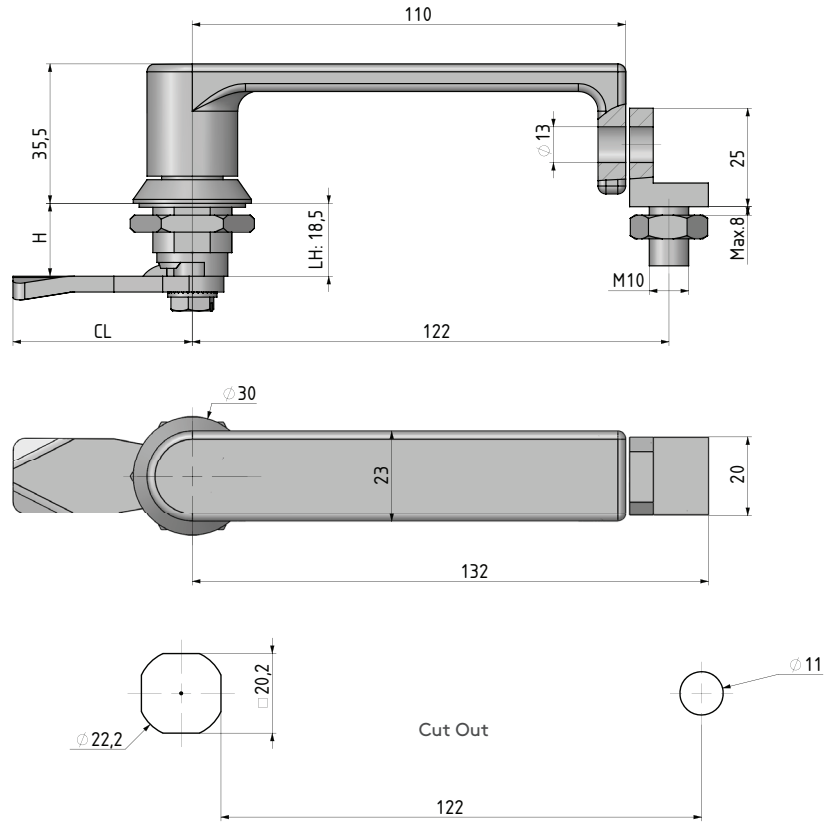
FINISH
 Chrome plated or black coated



▶ QUARTER-TURN LOCKS

PADLOCKABLE - 'L' HANDLE

211



- Stainless Steel version: page 470
- Padlockable steel lock can be used for outdoor enclosures.
- Suitable for hygienic cabinets and electrical enclosures.

MATERIAL

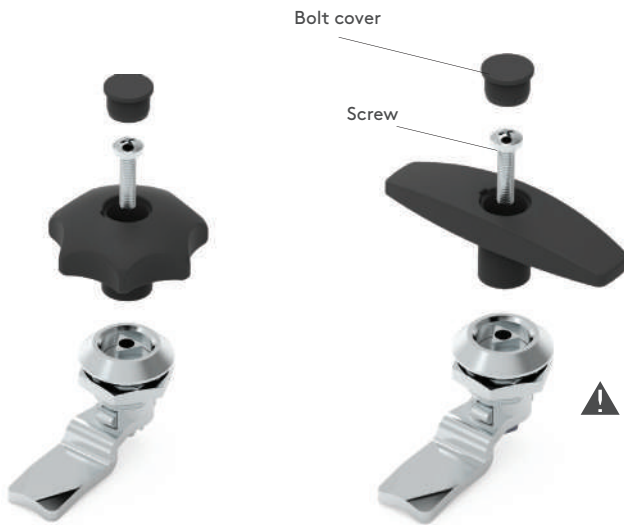
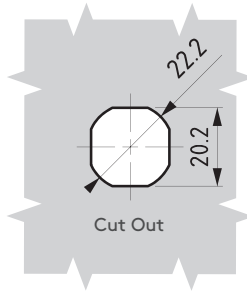
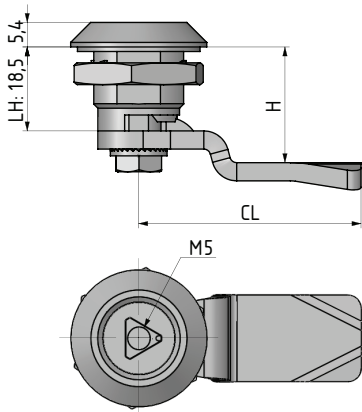
HOUSING: Zamak DIN-EN 1774-ZnAl4Cu1
 KNOB: Zamak DIN-EN 1774-ZnAl4Cu1
 CAM: Steel
 GASKET: Rubber



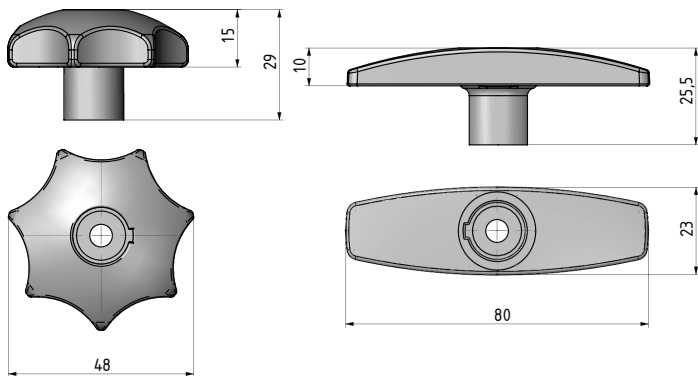
MATERIAL	M	FINISH	F
Zamak	1	Chrome plated	1
		Black coated	2

Group Code	Housing	Handle	Cam
211	1	F	CC

For cams please check pages: 170 - 171



! Note: Supplied with screw and cover



960

QUARTER TURN - MODULER HANDLE



- Two different plastic handle options are available.
- Handles and lock can be ordered separately and assembled by single screw

MATERIAL
HOUSING: Zamak DIN-EN 1774-ZnAl4Cu1
DRIVER: Zamak DIN-EN 1774-ZnAl4Cu1
CAM: Steel
GASKET: Rubber

HANDLES

Star handle



'T' handle



320.02.218

320.02.219

- Handles can be order separately

MATERIAL
HANDLE : PA6 GFR 30
COVER : PA6 GFR 30
BOLT : STEEL

MATERIAL	M	FINISH	F
Zamak	1	Chrome plated	1
		Black coated	2

SPECIFICATIONS	HANDLE
No handle	00
Star handle	01
'T' handle	02

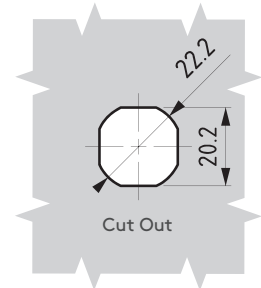
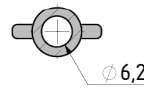
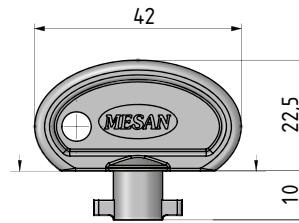
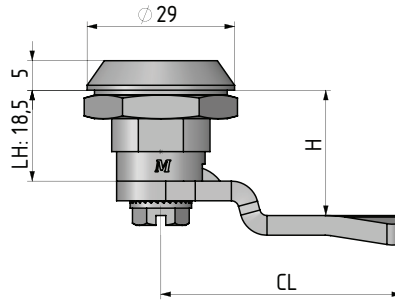
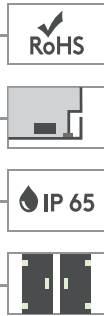
Group Code	Handle	Housing	Driver	Driver No	Cam
960		1 F	1 F	39	CC

For cams please check pages: 170 - 171

▶ QUARTER-TURN LOCKS

SECURE QUARTER TURN

361



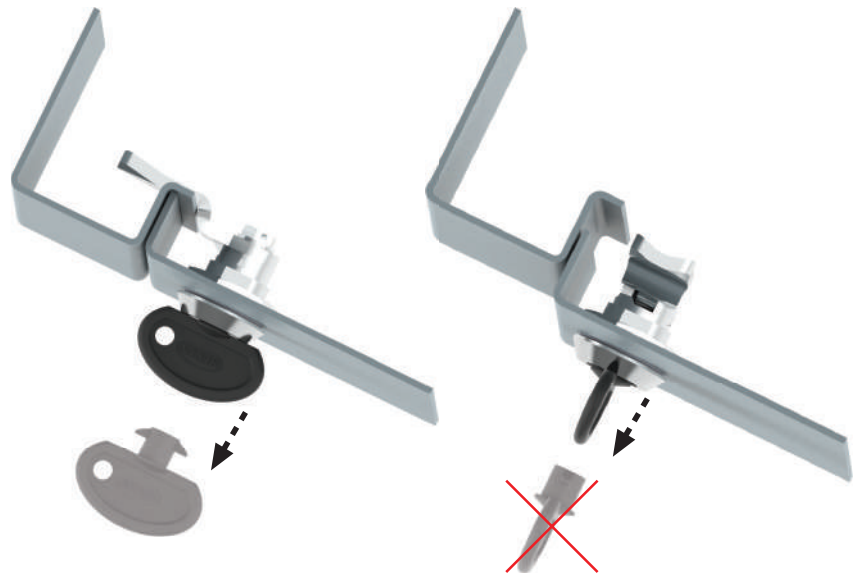
- When lock is open, key functions as a knob
- Key is specific to this lock and should be ordered at same time

MATERIAL

HOUSING: Zamak DIN-EN 1774-ZnAl4Cu1
 DRIVER: Zamak DIN-EN 1774-ZnAl4Cu1
 CAM: Steel
 GASKET: Rubber

FINISH

Chrome plated or black coated



Key is removable at locked position

Key is removable at locked position

MATERIAL	M	FINISH	F
Zamak	1	Chrome plated	1
		Black coated	2

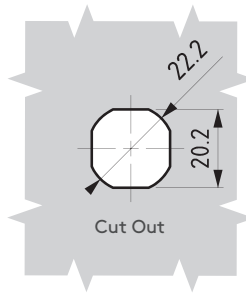
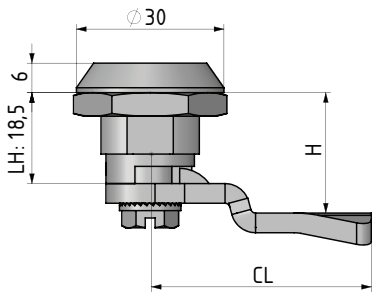
Group Code	Material	Finish	Cam
361	1	F	CC

Lock

Group Code	Material	Finish
167	1	F

Key

For cams please check pages: 170 - 171



461

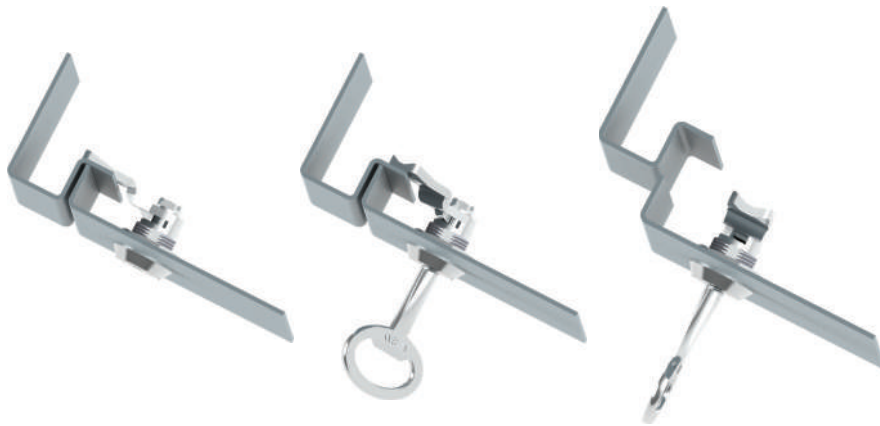
SECURE QUARTER TURN



- When lock is open, key functions as a knob.

MATERIAL

HOUSING: Zamak DIN-EN 1774-ZnAl4Cu1
 DRIVER: Zamak DIN-EN 1774-ZnAl4Cu1
 CAM: Steel
 GASKET: Rubber



Key is removable at locked position

Key is not removable at open position, it works like a knob.

SPECIAL KEYS

DRIVERS		
5 mm Double bit	8 mm Square	Fiat
15	96	95



MATERIAL	M	FINISH	F
Zamak	1	Chrome plated	1

DOOR DIRECTION	
Right hand	001
Left hand	002



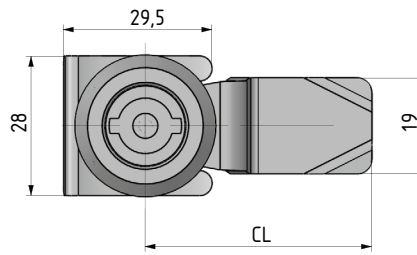
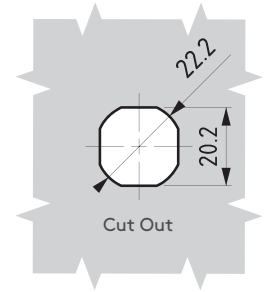
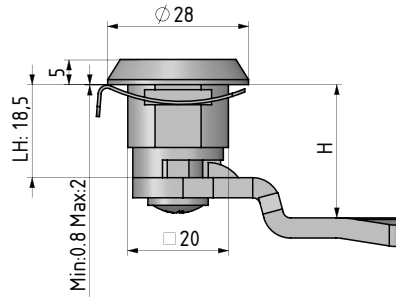
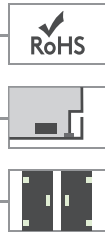
Group Code	Housing	Driver	Driver No	Cam	Door Direction
461	1	1	1	DD	CC

For cams please check pages: 170 - 171

▶ QUARTER-TURN LOCKS

QUARTER TURN – EASY FIXING

560

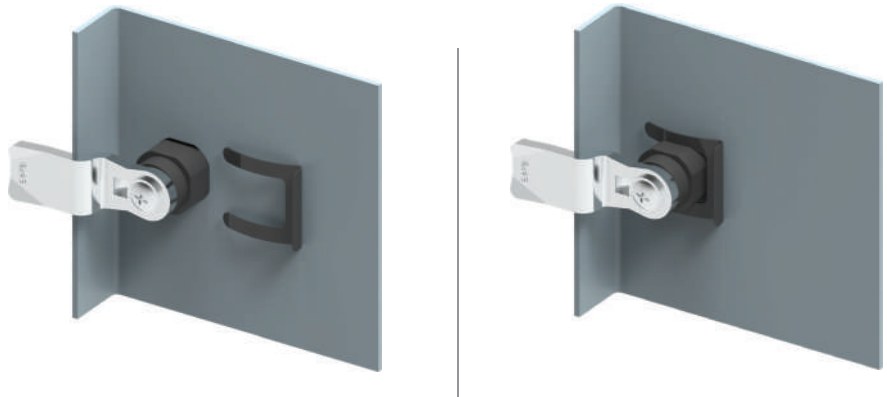


- Easy assembly by clips
- Specially designed internal spring provides 1.5 mm torsion
- Can be used for panel thickness 0.8 to 2 mm
- Please contact Essentra Components for special colours

MATERIAL

HOUSING: PA6 GFR 30
 DRIVER: Zamak DIN-EN 1774-ZnAl4Cu1 or PA6 GFR 30
 CAM: Steel or plastic

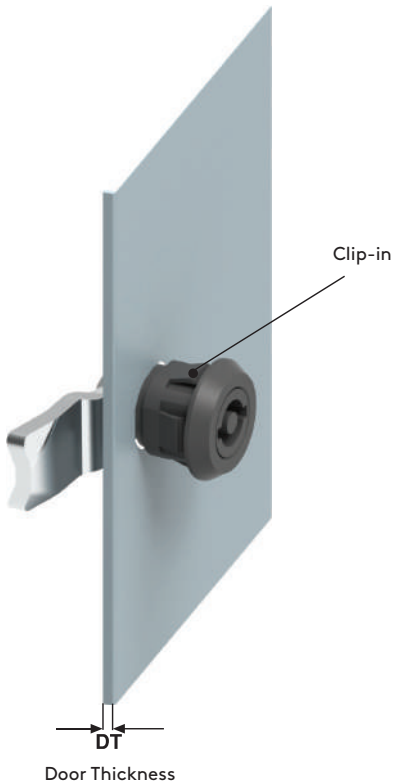
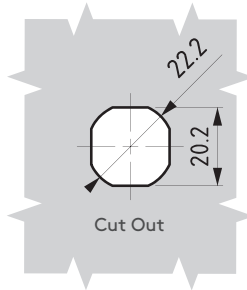
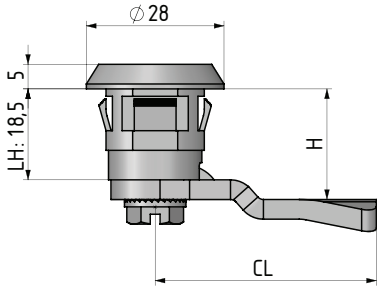
Easy fixing



MATERIAL	M	FINISH	F
Zamak	1	Chrome plated	1
		Black coated	2
Plastic	2	No finish	0

Group Code	Housing	Driver	Driver No	Cam
560	2	0	M F	DD CC

- For cams please check pages: 170 - 171
- For drivers please check page: 194
- For keys please check pages: 189 - 191



Door Thickness (DT)	Version
0.8 -1.2 mm	1
1.2 -1.5 mm	2
1.5 - 2 mm	3 *

* in this version IP 65 is not available

660

QUARTER TURN – EASY FIXING



- Easy assembly by clips
- Mounting nut not required.
- Specially designed internal spring provides 1.5 mm torsion
- Can be used for panel thickness 0.8 to 2 mm
- Please contact Essentra Components for special colours

MATERIAL

HOUSING: PA6 GFR 30
 DRIVER: Zamak DIN-EN 1774-ZnAl4Cu1 or PA6 GFR 30
 CAM: Steel or plastic

MATERIAL	M	FINISH	F
Zamak	1	Chrome plated	1
		Black coated	2
Plastic	2	No finish	0

Group Code	Version	Housing	Driver	Driver No	Cam
660	V	2	0	M F	DD CC

For cams please check pages: 170 - 171

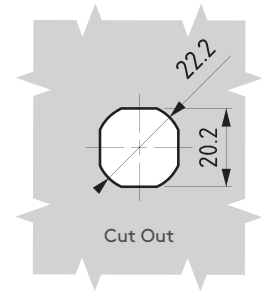
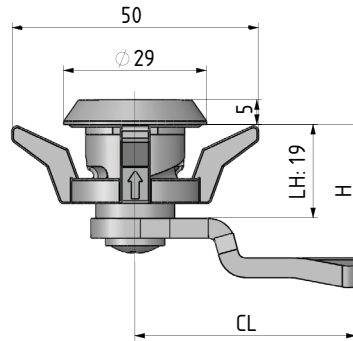
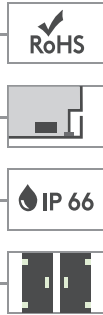
For drivers please check page: 194

For keys please check pages: 189 - 191

▶ QUARTER-TURN LOCKS

QUARTER TURN – EASY FIXING

661



- Easy assembly - without tools
- Standard cut out
- 2.0 mm maximum panel thickness

MATERIAL

HOUSING: Polyamide DIN-EN ISO 1043-1 PA6 GFR 30
 DRIVER: PA6 GFR 30
 CAM: Steel

DRIVERS

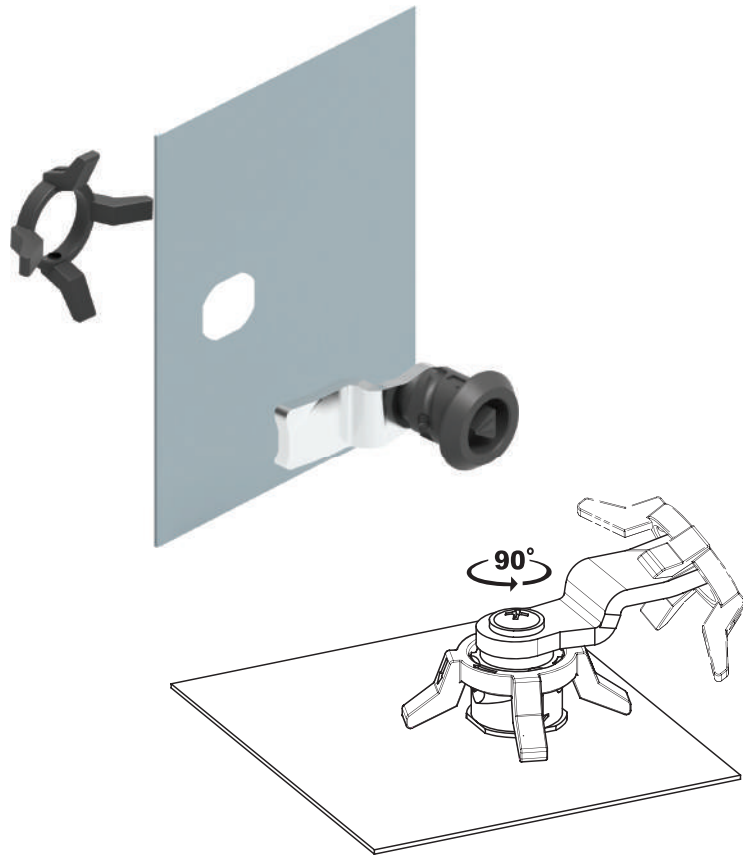
5 mm Double bit



8 mm Square



9 mm Triangular



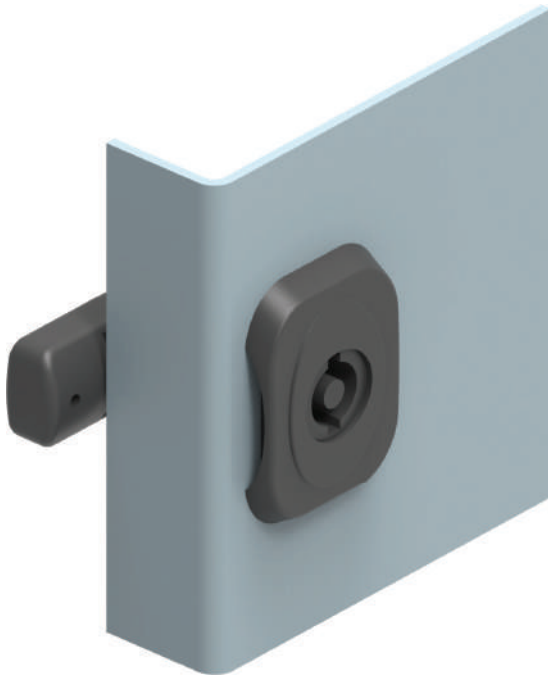
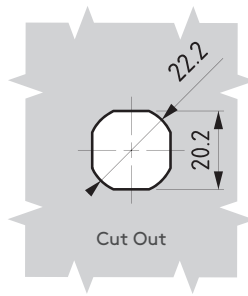
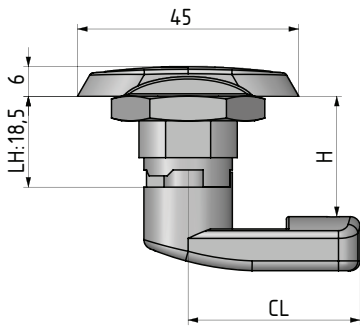
⚠ Note: For different drivers please contact Essentra

MATERIAL	M	FINISH	F
Plastic	2	No finish	0

Group Code	Housing	Driver	Driver No	Cam
661	2 0	2 0	DD	CC

For cams please check pages: 170 - 171

For keys please check pages: 189 - 191



561

Knob Lock (Plastic)



- Designed to act as a knob.
- For special colours, please contact Essentra

MATERIAL

HOUSING: Polyamide DIN-EN ISO 1043-1 PA6 GFR 30
 DRIVER: Zamak or PA6 GFR 30
 NUT: Zamak or PA6 GFR 30
 CAM: Steel or plastic

MATERIAL	M	FINISH	F
Zamak	1	Chrome plated	1
		Black coated	2
Plastic	2	No finish	0

Group Code	Housing	Driver	Driver No	Cam
561	2 0	M F	DD	CC

For cams please check pages: 170 - 171

For drivers please check page: 194

For keys please check pages: 189 - 191

▶ QUARTER-TURN LOCKS

QUARTER TURN – EASY FIXING

761

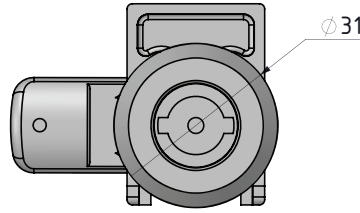


NEW

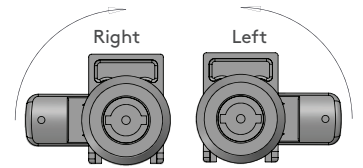
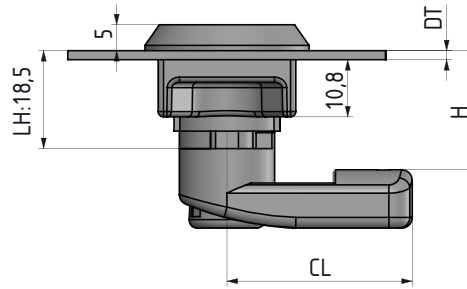
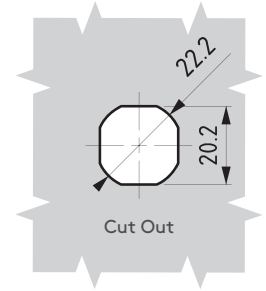
RoHS



IP 66



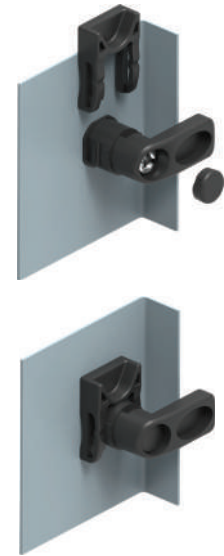
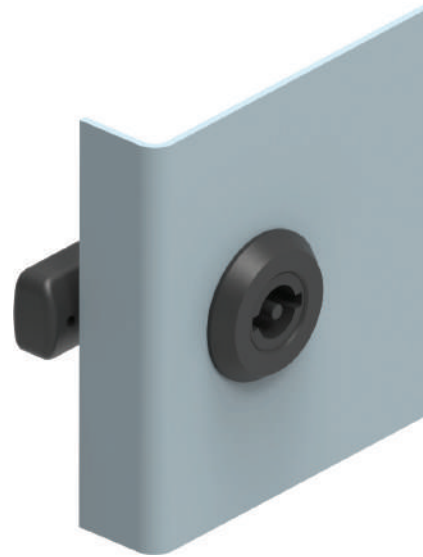
V:1



- Easy assembly by plastic clips
- Applicable on different panel thicknesses
- Various driver options are possible
- Standard cut out

MATERIAL

HOUSING: Polyamide DIN-EN ISO 1043-1 PA6 GFR 30
 DRIVER: Plastic or zamak
 CAM: Plastic or steel



320.02.221
BOLT COVER (For grounding)

- Can order separately (only for plastic cams)

⚠ Note: For different colors please contact Essentra

DOOR THICKNESS	DT
1.2 -1.8 mm panel	12
1.8 -2.3 mm pane	23

DOOR DIRECTION	
Right hand	001
Left hand	002

MATERIAL	M	FINISH	F
Zamak	1	Chrome plated	1
		Black coated	2
Plastic	2	No finish	0

- For cams please check pages: 170 - 171
- For drivers please check page: 194
- For keys please check pages: 189 - 191

Group Code	Version	Housing	Driver	Driver No	Door Thickness	Cam	Door Direction
761	1	2 0	M F	DD	DT	CC	



761

QUARTER TURN – EASY FIXING



- Easy assembly by plastic clips
- Applicable on different panel thicknesses
- Various driver options are possible
- Logo application upon request
- Standard cut out

MATERIAL

HOUSING: Polyamide DIN-EN ISO 1043-1 PA6 GFR 30
 DRIVER: Plastic or zamak
 CAM: Plastic or steel



320.02.221
BOLT COVER (For grounding)

- Can order separately (only for plastic cams)

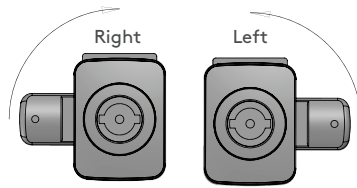
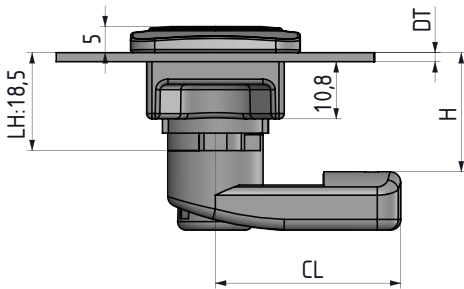
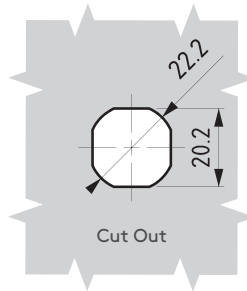
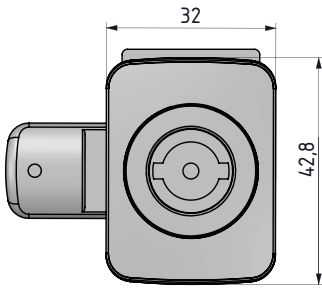
Note: For different colors please contact Essentra

For cams please check pages: 170 - 171

For drivers please check page: 194

For keys please check pages: 189 - 191

V: 2



DOOR THICKNESS	DT
1.2 -1.8 mm panel	12
1.8 -2.3 mm pane	23

DOOR DIRECTION	
Right hand	001
Left hand	002

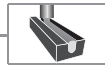
MATERIAL	M	FINISH	F
Zamak	1	Chrome plated	1
		Black coated	2
Plastic	2	No finish	0

Group Code	Version	Housing	Driver	Driver No	Door Thickness	Cam	Door Direction
761	2	2 0	M F	DD	DT	CC	

▶ QUARTER-TURN LOCKS

QUARTER TURN - SPRING LOADED

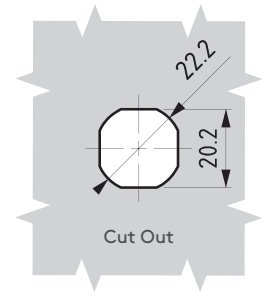
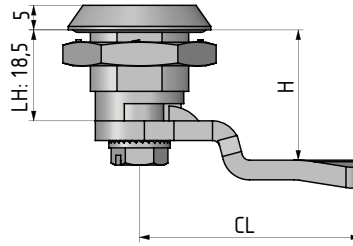
760



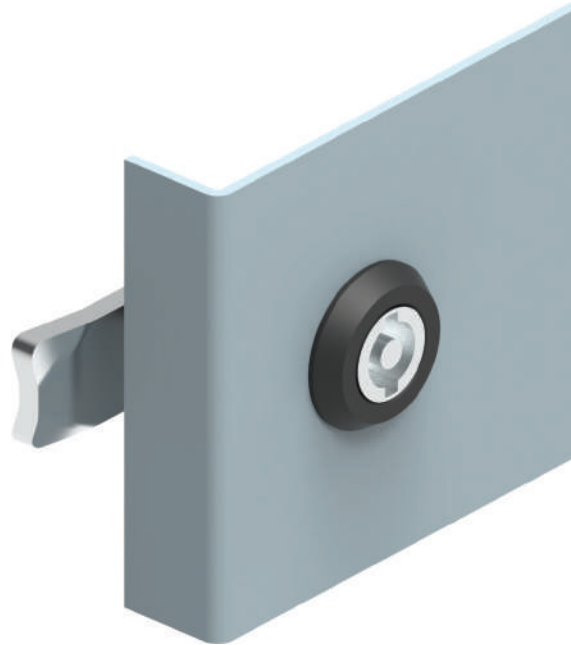
- Specially designed internal spring provides 1.5mm of compression.
- Cam does not rotate beyond quarter turn due to stop lip.

MATERIAL

HOUSING: PA6 GFR 30
 DRIVER: Zamak DIN-EN 1774-ZnAl4Cu1 or PA6 GFR 30
 CAM: Steel or plastic
 GASKET: Polyurethane



Sealing in plastic housing.
 This application aims to improve the sealing level in quarter turns.



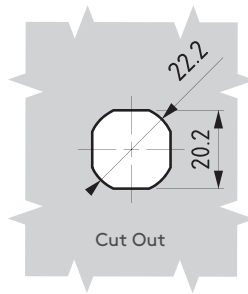
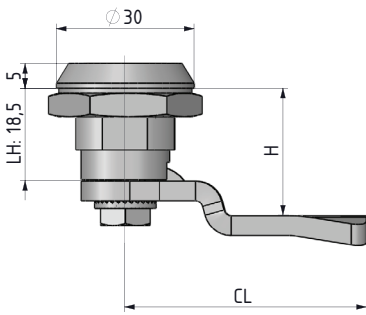
MATERIAL	M	FINISH	F
Zamak	1	Chrome plated	1
		Black coated	2
Plastic	2	No finish	0

Group Code	Housing	Driver	Driver No	Cam
760	2	0	M F	DD CC

For cams please check pages: 170 - 171

For drivers please check page: 194

For keys please check pages: 189 - 191



Grounding clip



360

QUARTER TURN –
SPRING LOADED



- Special clip for grounding
- Specially designed internal spring provides 1.5 mm of compression
- Cam does not rotate beyond quarter turn due to stop lip

MATERIAL

HOUSING: Zamak DIN-EN 1774-ZnAl4Cu1

DRIVER: Zamak DIN-EN 1774-ZnAl4Cu1

CAM: Steel or plastic

GASKET: Rubber

GROUNDING CLIP: Stainless steel

FINISH

Chrome or Black coated

MATERIAL	M	FINISH	F
Zamak	1	Chrome plated	1
		Black coated	2

Group Code	Material	Finish	Driver No	Cam
360	M	F	DD	CC

For cams please check pages: 170 - 171

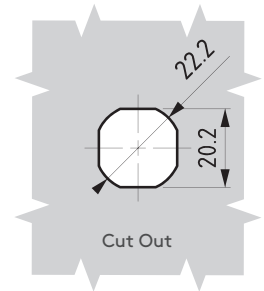
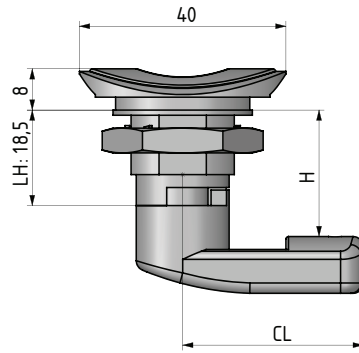
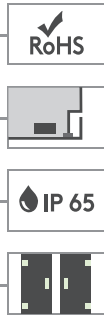
For drivers please check page: 194

For keys please check pages: 189 - 191

▶ QUARTER-TURN LOCKS

KNOB LOCK (Plastic)

161



- Designed to act as a knob
- For special colours, please contact Essentra

MATERIAL

HOUSING: Polyamide DIN-EN ISO 1043-1 PA6 GFR 30
 DRIVER: Zamak or PA6 GFR 30
 NUT: Zamak or PA6 GFR 30
 CAM: Steel or Plastic



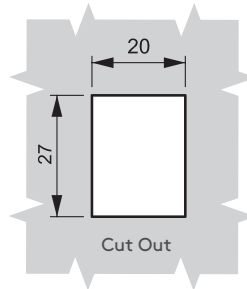
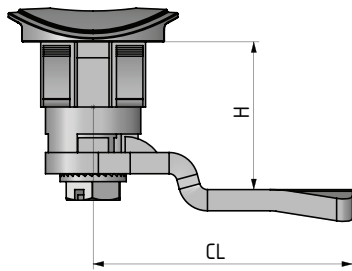
MATERIAL	M	FINISH	F
Zamak	1	Chrome plated	1
		Black coated	2
Plastic	2	No finish	0

Group Code	Housing	Driver	Driver No	Cam
161	2	0	M F	DD CC

- For cams please check pages: 170 - 171
- For drivers please check page: 194
- For keys please check pages: 189 - 191



261 KNOB LOCK (Plastic)



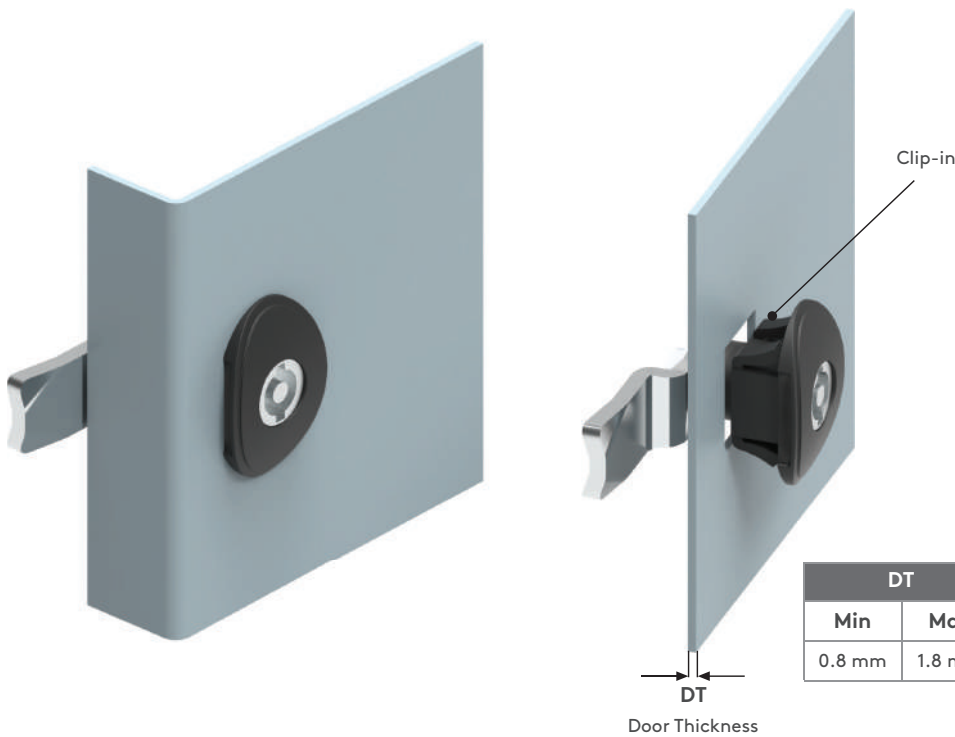
- Clip fixing for easy assembly
- Mounting nut not required
- Special 20 mm x 26 mm cut out
- There is no IP 65 version of this lock
- 1.8 mm maximum panel thickness

MATERIAL

HOUSING: Polyamide DIN-EN ISO 1043-1 PA6 GFR 30

DRIVER: Zamak or PA6 GFR 30

CAM: Steel or plastic



DT	
Min	Max
0.8 mm	1.8 mm

MATERIAL	M	FINISH	F
Zamak	1	Chrome plated	1
		Black coated	2
Plastic	2	No finish	0

Group Code	Housing	Driver	Driver No	Cam
261	2 0	M F	DD	CC

For cams please check pages: 170 - 171

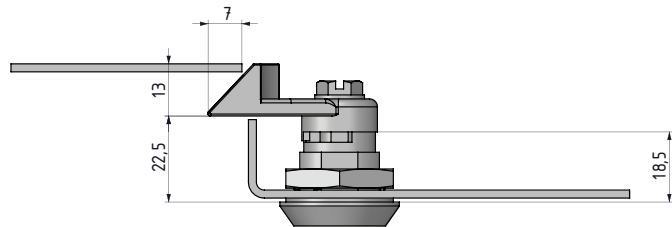
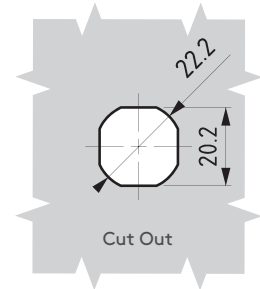
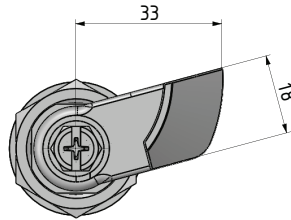
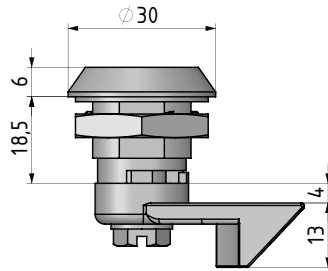
For drivers please check page: 194

For keys please check pages: 189 - 191

▶ QUARTER-TURN LOCKS

QUARTER TURN – SPRING CAM

160



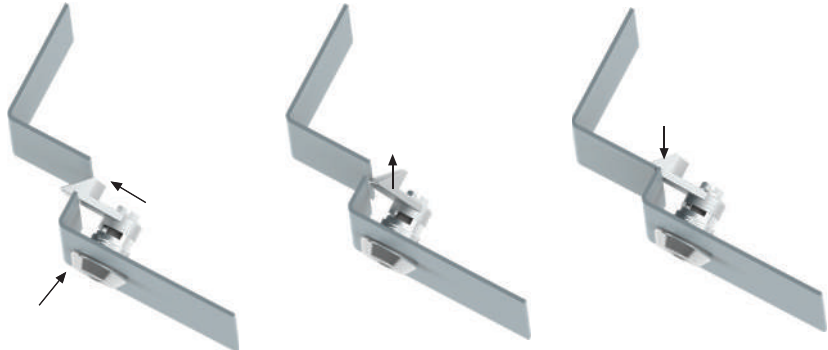
- Stainless steel version: page: 458
- Spring-loaded cam provides depress-to-lock action
- Distance between inside of lock face and front of cam fixed at 22.5 mm
- There is no IP 65 version of this lock, due to spring loaded cam

MATERIAL

HOUSING: Zamak DIN-EN 1774-ZnAl4Cu1
 DRIVER: Zamak DIN-EN 1774-ZnAl4Cu11
 GASKET: Rubber

FINISH

Chrome plated



Position 1

Push the door

Position 2

Cam will move upright when touches the body

Position 3

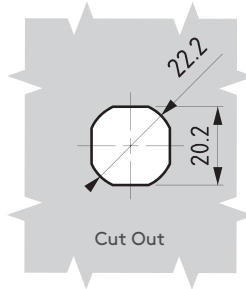
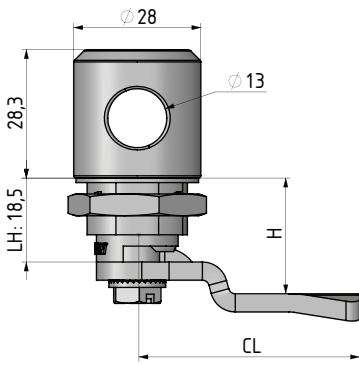
When the cam is free, cam will move down right by spring and the door will lock

MATERIAL	M	FINISH	F	DOOR DIRECTION	
Zamak	1	Chrome plated	1	Right hand	001
		Black coated	2	Left hand	002

Group Code	Material	Finish	Driver No	Door Direction
160	1	F	DD	

For drivers please check page: 194

For keys please check pages: 189 - 191



Application 1



Application 2



260

QUARTER TURN –
PADLOCKABLE



- Stainless steel version: page: 459
- Padlockable version
- Can be used with different drivers

MATERIAL
 HOUSING: Zamak DIN-EN 1774-ZnAl4Cu1
 DRIVER: Zamak DIN-EN 1774-ZnAl4Cu1
 CAM : Steel
 GASKET: Rubber

MATERIAL	M	FINISH	F
Zamak	1	Chrome plated	1
		Black coated	2

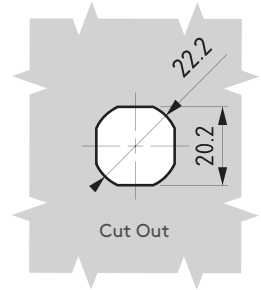
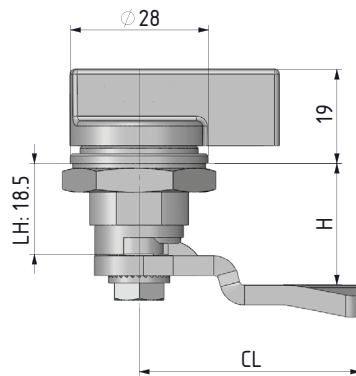
Group Code	Housing	Driver	Driver No	Cam
260	1	F	F	DD CC

- For cams please check pages: 170 - 171
- For drivers please check page: 194
- For keys please check pages: 189 - 191

▶ QUARTER-TURN LOCKS

PACO LOCK

162



- Paco type knobw

MATERIAL

HOUSING: Zamak DIN-EN 1774-ZnAl4Cu1
 KNOB: PA6 GFR 30
 CAM: Steel or plastic
 GASKET: Rubber

FINISH

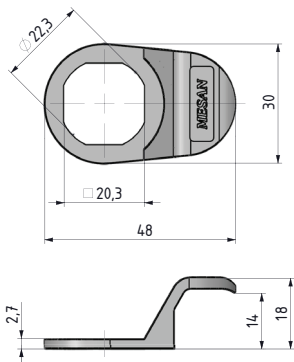
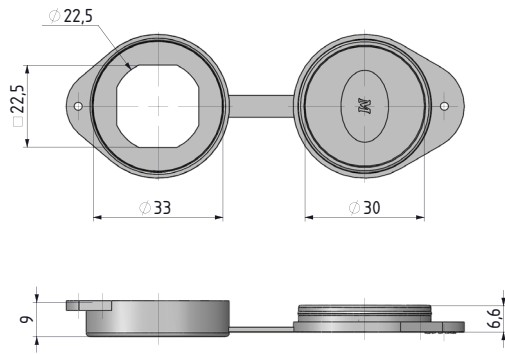
Chrome plated



For cams please check pages: 170 - 171

For rods please check pages: 178 - 188

Group Code	Cam
162	CC



060 A7

DUST CAP



- Recommended when dust and humidity protection required
- Can be ordered separately

MATERIAL
Polyurethane

060 A2

LOCK HANDLE



- Reduces the LH and H dimensions by 1 mm. Choose CH -1 mm for cam selection compared to unused

MATERIAL
PA6 GFR 30

▶ QUARTER-TURN LOCKS

FIXING DEVICE

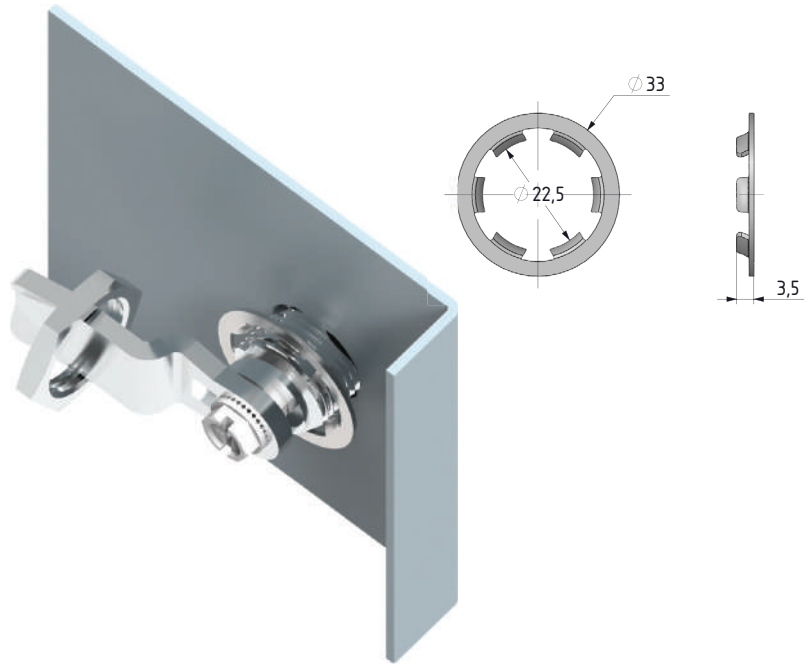
060 A3



- Prevents rotation
- For applications subject to vibration

MATERIAL
Steel

FINISH
Zinc plated



PADLOCK ADAPTER

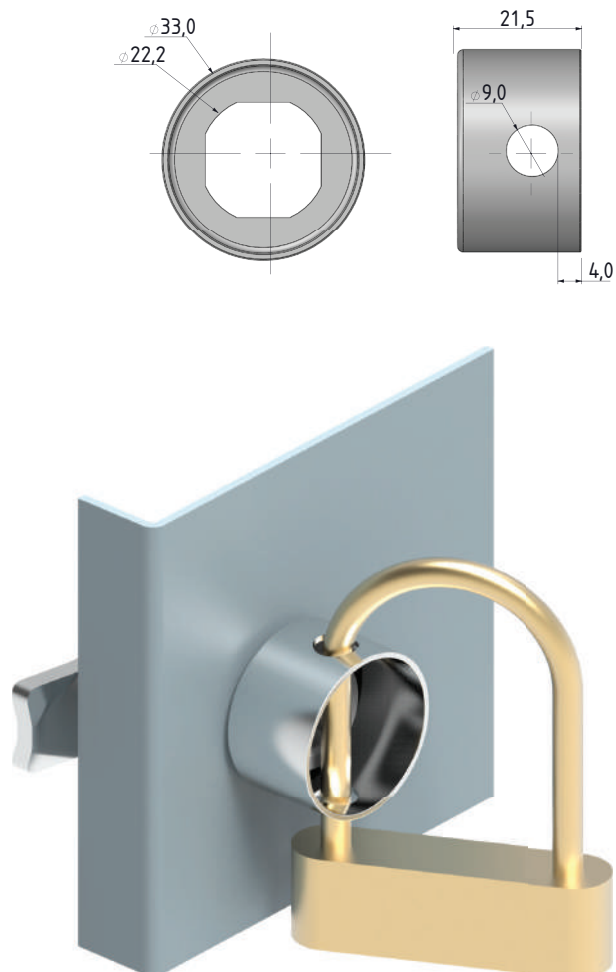
060 A8



- Max. shackle diameter is 8 mm
- Reduces the LH and H dimensions by 2 mm. Choose CH -2 mm for cam selection compared to unused

MATERIAL
Steel

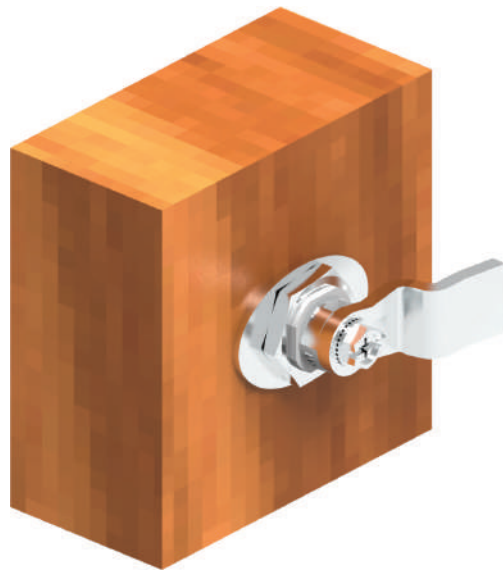
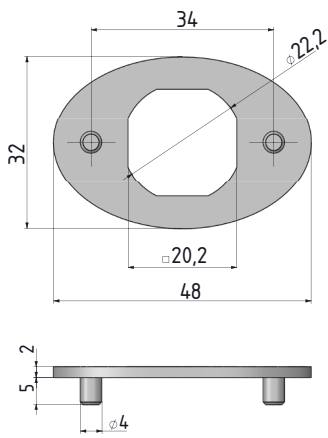
FINISH
Zinc plated





060 A5

FIXING DEVICE



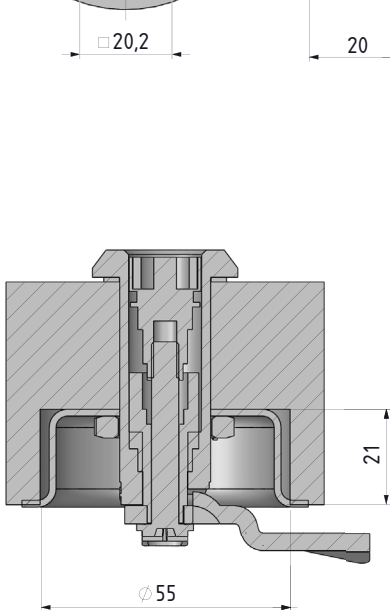
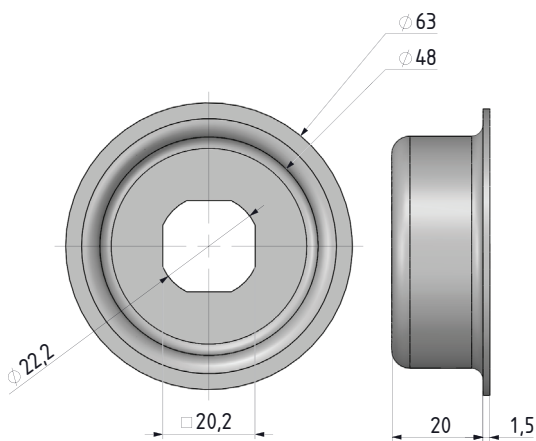
- Fixing device for wooden applications

MATERIAL
Zamak DIN-EN 1774-ZnAl4Cu1

FINISH
Zinc plated

060 A6

SPACER



- Allows lock to be fitted to thick doors
- Easy fixing for isolated doors

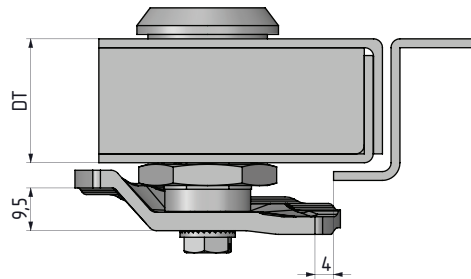
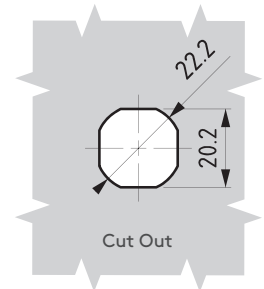
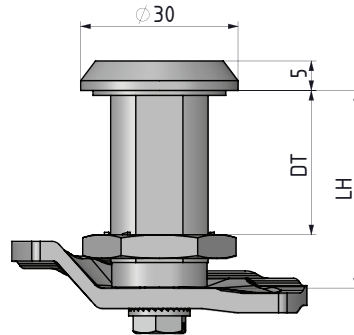
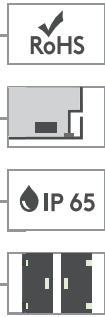
MATERIAL
Steel

FINISH
Zinc plated

▶ QUARTER-TURN LOCKS

STEPPED COVER LOCK

064



LH	DT
30	20
40	30
50	40
60	50

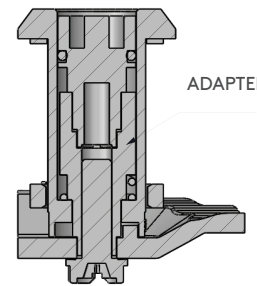
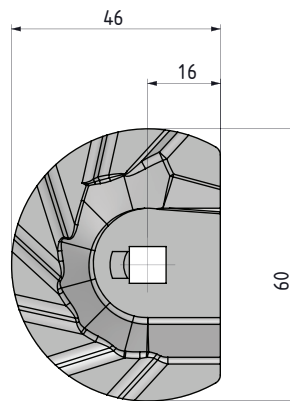
- For soundproof or isolated doors
- Tight closure achievable with 270° cam rotation and stepped cam
- Lock supplied with standard housing

MATERIAL

HOUSING: Zamak DIN-EN 1774-ZnAl4Cu1
 DRIVER: Zamak DIN-EN 1774-ZnAl4Cu1
 CAM: Zamak DIN-EN 1774-ZnAl4Cu1
 GASKET: Rubber

FINISH

Chrome or Black coated

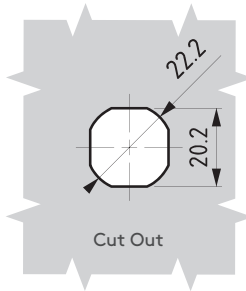
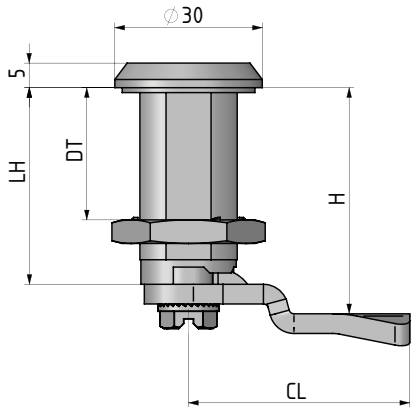


MATERIAL	M	FINISH	F
Zamak	1	Chrome plated	1
		Black coated	2

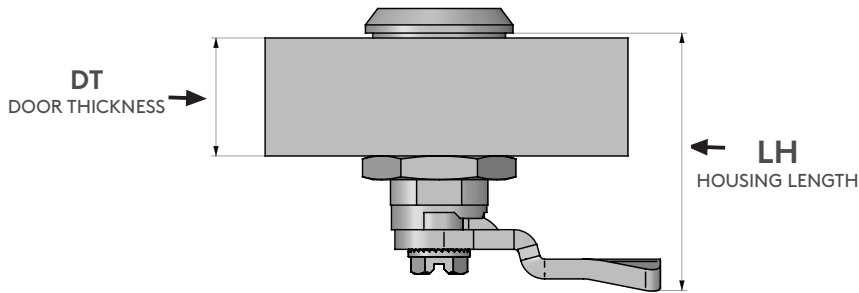
Group Code	Material	Finish	Driver No	Door Thickness	Cam
064	1	F	DD	DT	99

For drivers please check pages: 194

For keys please check pages: 189 - 191



LH	DT
30	20
40	30
50	40
60	50



064

QUARTER TURN –
SPRING LOADED

- RoHS
- IP 65



- Stainless steel version: page: 457
- For soundproof or isolated doors
- Supplied with standard housing

MATERIAL
 HOUSING: Zamak DIN-EN 1774-ZnAl4Cu1
 DRIVER: Zamak DIN-EN 1774-ZnAl4Cu1
 CAM: Steel
 GASKET: Rubber

FINISH
 Chrome plated or black coated

MATERIAL	M	FINISH	F
Zamak	1	Chrome plated	1
		Black coated	2

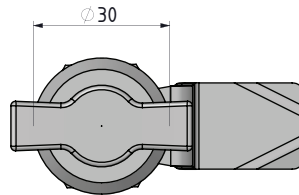
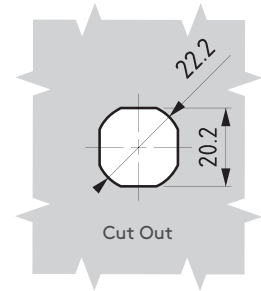
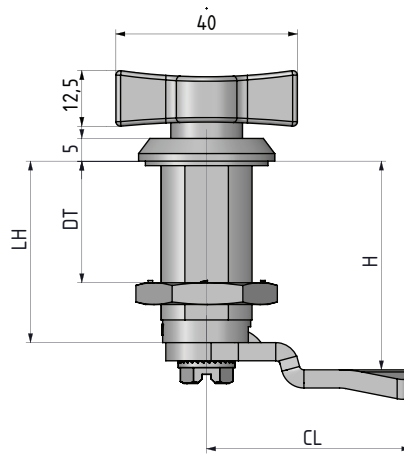
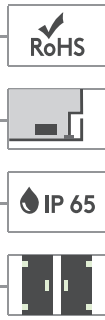
Group Code	Material	Finish	Driver No	Door Thickness	Cam
064	1	F	DD	DT	CC

- For cams please check pages: 170 - 171
- For drivers please check page: 194
- For keys please check pages: 189 - 191

▶ QUARTER-TURN LOCKS

QUARTER TURN – WING KNOB

064



LH	DT
30	20
40	30
50	40
60	50

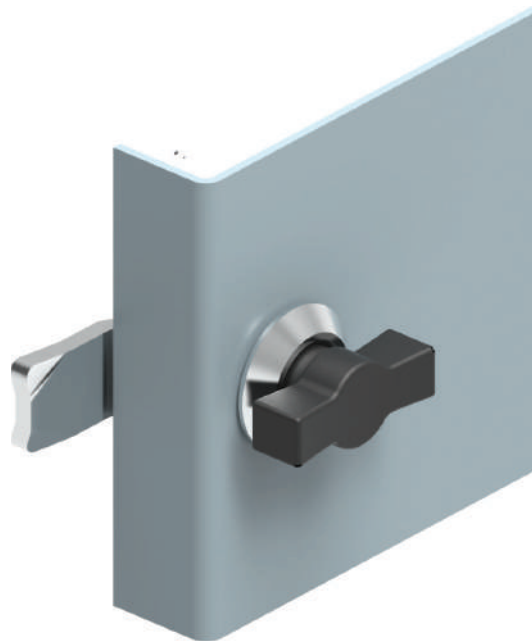
- For soundproof or isolated doors
- Supplied with standard housing

MATERIAL

HOUSING: Zamak DIN-EN 1774-ZnAl4Cu1
 DRIVER: Zamak DIN-EN 1774-ZnAl4Cu1
 CAM: Steel
 GASKET: Rubber

FINISH

Chrome or Black coated

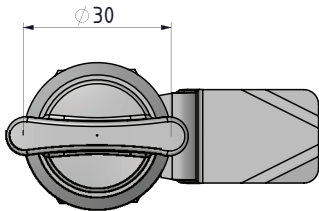
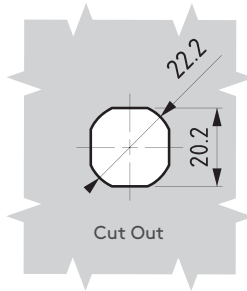
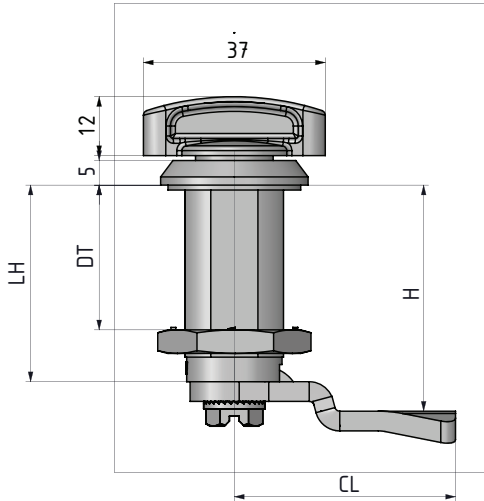


MATERIAL	M	FINISH	F
Zamak	1	Chrome plated	1
		Black coated	2

Group Code	Knob	Door Thickness	Material	Finish	Cam
064	062	DT	1	F	CC

For cams please check pages: 170 - 171

For rods please check pages: 178 - 188



LH	DT
30	20
40	30
50	40
60	50



064

QUARTER TURN - WING KNOB

- RoHS
- IP 65



- For sound-proof or isolated doors
- Supplied with standard housing

MATERIAL
 HOUSING: Zamak DIN-EN 1774-ZnAl4Cu1
 DRIVER: Zamak DIN-EN 1774-ZnAl4Cu1
 CAM: Steel
 GASKET: Rubber

FINISH
 Chrome plated or black coated

MATERIAL	M	FINISH	F
Zamak	1	Chrome plated	1
		Black coated	2

Group Code	Knob	Door Thickness	Material	Finish	Cam
064	362	DT	1	F	CC

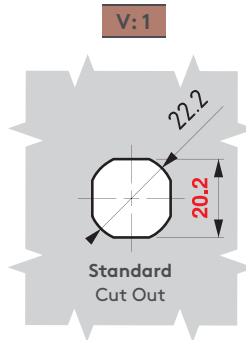
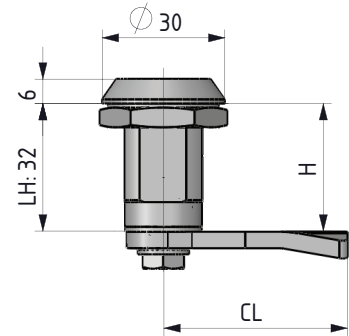
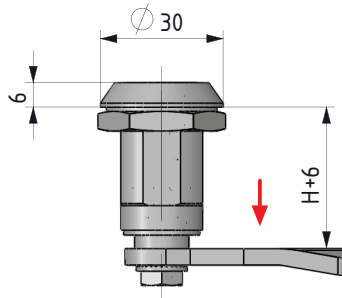
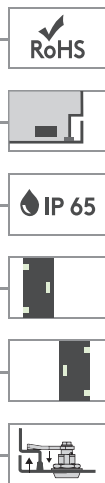
For cams please check pages: 170 - 171

For rods please check pages: 178 - 188

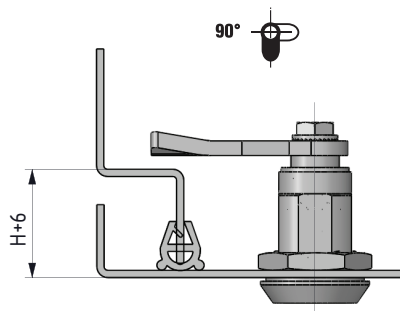
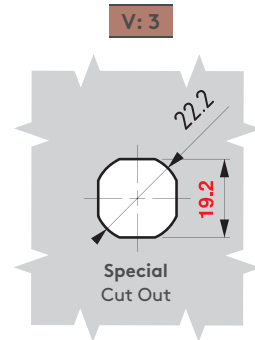
▶ QUARTER-TURN LOCKS

COMPRESSION LOCK

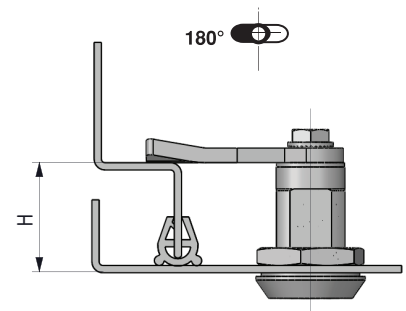
040



Attention



The first 90° of key rotation turns the cam to locking position



Further key rotation 180° applies 6 mm compression

- **Stainless Steel version: page 462**
- Used for cabinets that require better sealing under vibrating conditions
- Provides 6 mm of compression
- Provides noise isolation
- Alternative drivers/cams available
- Standard cams without stopper required for these locks
- The lock has been tested according to the DIN EN 61373 Category 1-B for vibration and shock.
- Working Temperature Range: -50/+80 C
- M22 Nut : should be fixed with 60 Nm
- M10 Nut: should be fixed with 10 Nm
- Threadlocker is applied to the nut threads to get extra fastness against vibration and shock
- Max load capacity: 562 N

MATERIAL

HOUSING: Zamak DIN-EN 1774-ZnAl4Cu1
 DRIVER: Zamak DIN-EN 1774-ZnAl4Cu1
 CAM: Steel
 GASKET: Rubber

FINISH

Chrome plated or black coated

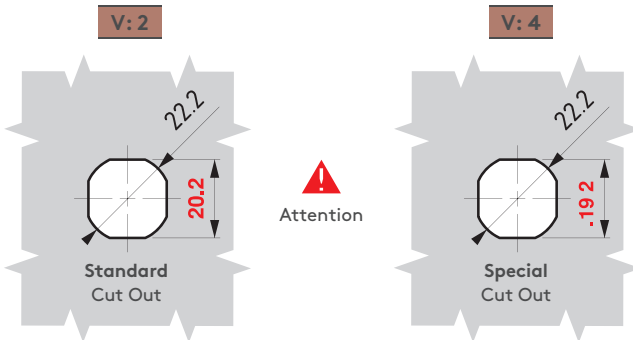
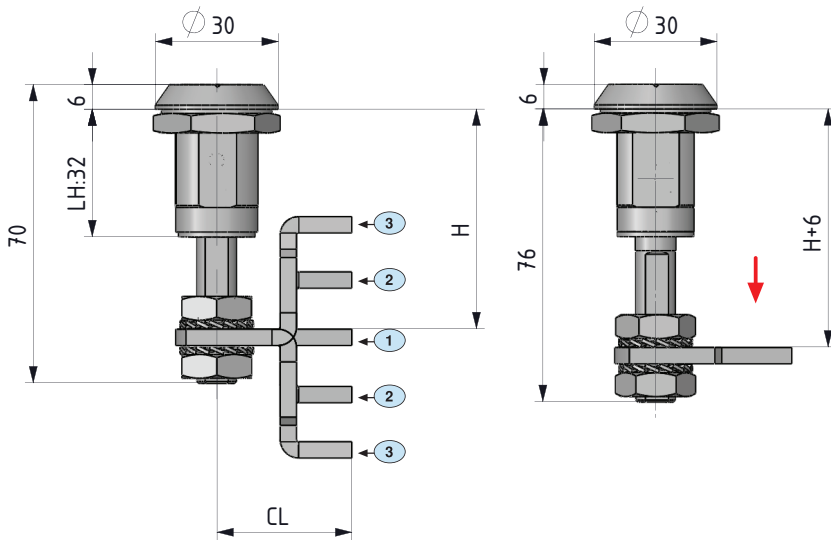
KNOB	DRIVERS				
	3 mm Double bit	5 mm Double bit	Tubular key	8 mm Hexagon	8 mm Hexagon with security pin
 DD 94	DD 13	DD 15	DD 93	DD 68	DD 69
	Railway	8 mm Square	2X4 mm Slot	7 mm Triangular	8 mm Triangular
DD 88	DD 88	DD 28	DD 42	DD 37	DD 38

MATERIAL	M	FINISH	F	DOOR DIRECTION	
Zamak	1	Chrome plated	1	Right hand	001
		Black coated	2	Left hand	002

Group Code	Version	Material	Finish	Driver	Cam	Door Direction
040	V	1	F	DD	CC	

For cams please check pages: 172 - 173

For keys please check pages: 189 - 191



CAM	STOCK CODE	CC	CH	CL	POSITION	H GRIP MIN	H GRIP MAX
1	30403565Y	01	0	33	Düz	41	58
2	30403566Y	02	14	33	Yukarı	27	44
					Aşağı	55	72
3	30403567Y	03	27,5	33	Yukarı	13,5	30,5
					Aşağı	68	85

MATERIAL	M	FINISH	F	DOOR DIRECTION
Zamak	1	Chrome plated	1	Right hand 001
		Black coated	2	Left hand 002

Group Code	Version	Material	Finish	Driver	Cam	Door Direction
040	V	1	F	DD	CC	

040

COMPRESSION LOCK

- RoHS
- IP 65



- Used for cabinets that require better sealing under vibrating conditions
- Provides 6 mm of compression
- Wide grip range with adjustable screw
- Provides noise isolation.
- Different drivers/cams available
- Three cam alternatives available
- The lock has been tested according to the DIN EN 61373 Category 1-B for vibration and shock.
- Working Temperature Range: -50/+80 C
- M22 Nut : should be fixed with 60 Nm
- M10 Nut: should be fixed with 10 Nm
- Threadlocker is applied to the nut threads to get extra fastness against vibration and shock
- Max load capacity: 562 N

MATERIAL
 HOUSING: Zamak DIN-EN 1774-ZnAl4Cu1
 DRIVER: Zamak DIN-EN 1774-ZnAl4Cu1
 CAM: Steel
 GASKET: Rubber

FIXING DEVICE

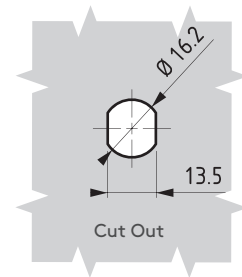
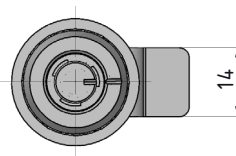
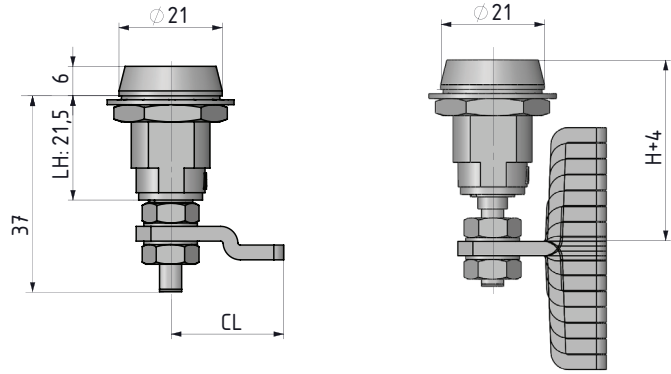


- Can be ordered separately
ORDER CODE: 32005018Y

▶ QUARTER-TURN LOCKS

MINI COMPRESSION LOCK

140



- Stainless steel version: page 460
- Used for cabinets that require better sealing under vibrating conditions
- 4 mm compression ratio
- Provides noise isolation
- Driver and cam alternatives available

MATERIAL
HOUSING : Zamak DIN-EN 1774-ZnAl4Cu1
DRIVER: Zamak DIN-EN 1774-ZnAl4Cu1
CAM: Steel
FINISH
 Chrome plated or black coated

DUST CAP

140 A1



(Order separately)

MATERIAL Polyurethane

CAM	STOCK CODE	CC	CH	CL	H GRIP		KNOB	
					MIN	MAX		
1	30403606Y	01	0	23	26.2	29.4	DD	
2	30403607Y	02	1	23	25.2	28.4	94	
3	30403608Y	03	3.8	23	22.4	25.6	DRIVERS	
4	30403609Y	04	7	23	19.2	22.4	Tubular key	
5	30403610Y	05	10.2	23	16	19.2	DD	
6	30403611Y	06	13.4	23	12.8	16	93	
7	30403612Y	07	16.6	23	9.6	12.8	4 mm Hexagon	
8	30403613Y	08	19.8	23	6.4	9.6	DD	
9	30403614Y	09	23	23	3.2	6.4	64	
							Slot	
							DD	
							45	

MATERIAL	M	FINISH	F
Zamak	1	Chrome plated	1
		Black coated	2

Group Code	Material	Finish	Driver	Cam
140	1	F	DD	CC



045

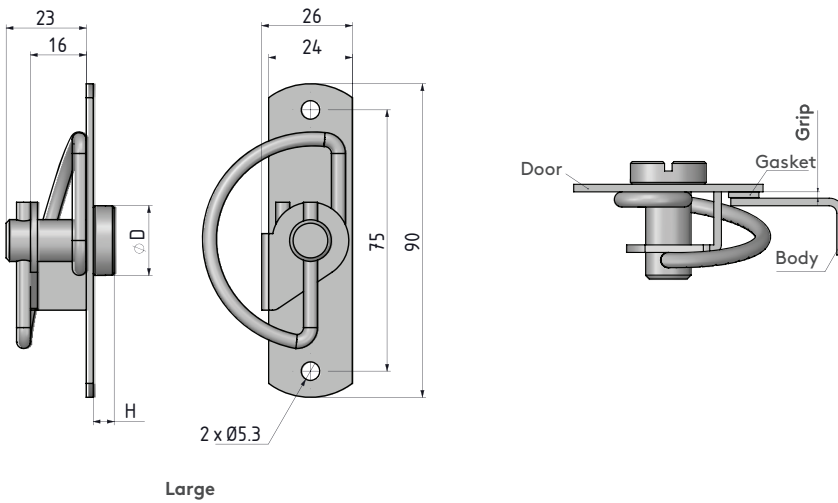
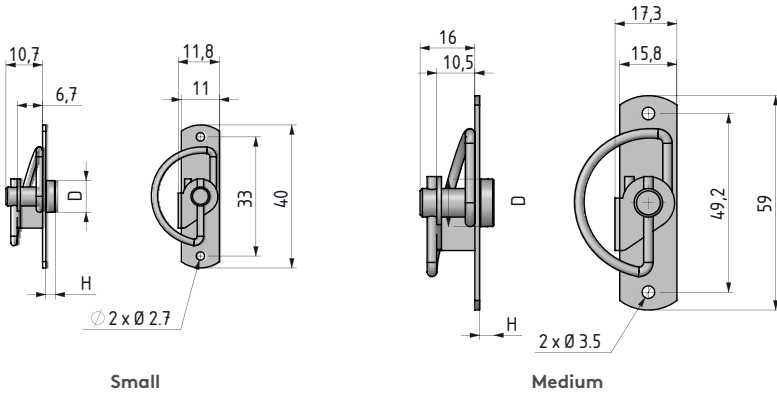
COMPRESSION - SPRING LATCH



- Stainless Steel version: page 469
- Fix small panels to frame with ease
- Quarter-turn locking
- Easy assembly
- For doors with a bend of 24 mm

MATERIAL

BODY: Steel
 DRIVER: Steel
 SPRING: Stainless steel



DRIVERS				
V	DD	Driver name	DØ	H
1	12	Slot - Small	10	3
	13	Knurled - Small	10.5	12
2	21	Hexagon Female 4 mm	12	3.5
	22	Slot - Medium	12	3.5
3	23	Knurled - Small	13	17.5
	31	Hexagon Female 8 mm	20	6
	32	Slot - Large	20	5



CAMS		
CC	Cam name	VERSION
41	Smooth Spring - Small	1
42	Smooth Spring - Medium	2
52	Serrated Spring - Medium	2
43	Smooth Spring - Large	3
53	Serrated Spring - Large	3

VERSIONS	
V	Product
1	Small Spring Latch
2	Medium Spring Latch
3	Large Spring Latch

MATERIAL	M	FINISH	F
Steel	6	Zinc Plated	3

Group Code	Version	Material	Finish	Driver	Cam
045	V	6	3	DD	CC

▶ QUARTER-TURN LOCKS

MINI QUARTER TURN – EASY FIXING

366



- Easy assembly by clips
- Specially designed internal spring provides 1 mm torsion

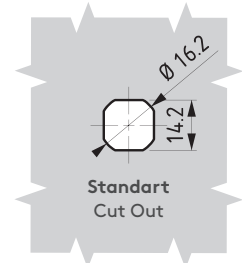
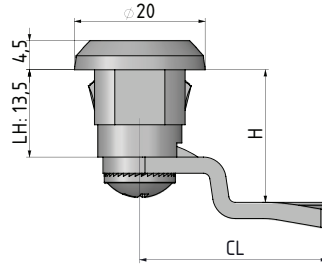
MATERIAL

HOUSING: PA6 GFR 30
 DRIVER: Zamak DIN-EN 1774-ZnAl4Cu1 or PA6 GFR 30
 CAM: Steel

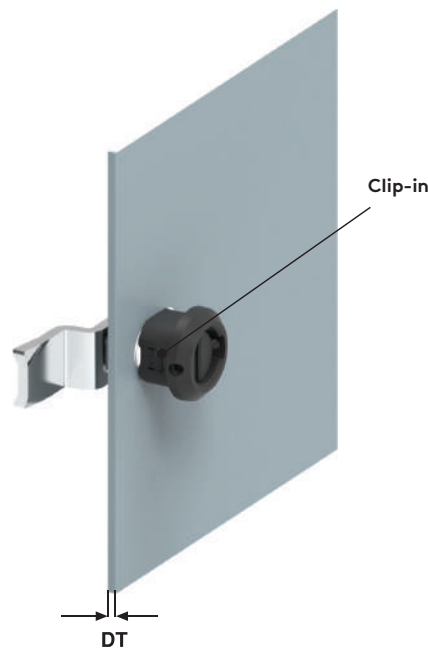


Application Keys
 Code: 267

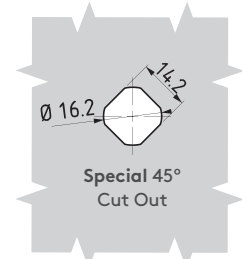
DRIVERS			
6 mm Square		M	F
DD		1	1
		1	2
26		2	0
7 mm Triangular		M	F
DD		1	1
		1	2
37		2	0
Slot		M	F
DD		1	1
		1	2
42		2	0



V: 1



DT
 Door Thickness:
 0.8 mm - 1.2 mm

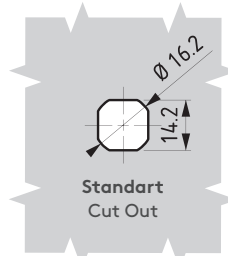
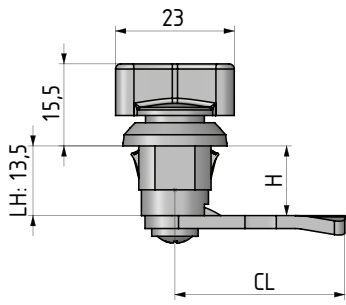


V: 2

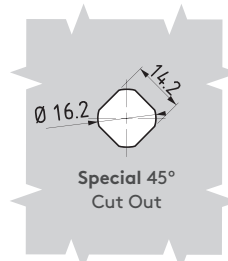
MATERIAL	M	FINISH	F
Zamak	1	Chrome plated	1
		Black coated	2
Plastic	2	No finish	0

Group Code	Version	Housing	Driver	Driver No	Cam
366	V	2	0	M F	DD CC

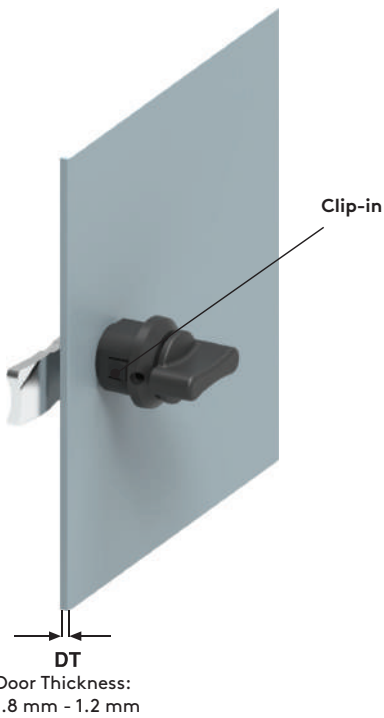
For cams please check pages: 175 (Cam-3)



V: 1



V: 2



566

MINI QUARTER TURN – EASY FIXING



- Easy assembly by clips
- Specially designed internal spring provides 1 mm torsion

MATERIAL

HOUSING: PA6 GFR 30
 KNOB: Zamak DIN-EN 1774-ZnAl4Cu1 or PA6 GFR 30
 CAM: Steel

MATERIAL	M	FINISH	F
Zamak	1	Chrome plated	1
		Black coated	2
Plastic	2	No finish	0

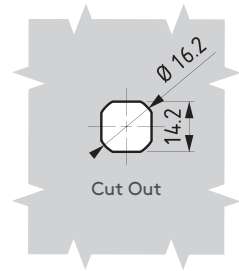
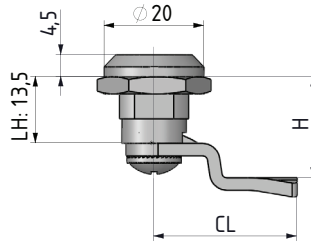
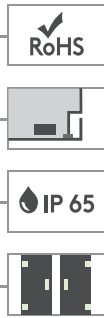
Group Code	Version	Housing	Knob	Cam
566	V	2	0 M F	CC

For cams please check pages: 175 (Cam-3)

▶ QUARTER-TURN LOCKS

MINI QUARTER TURN – SPRING LOADED

066



DRIVERS			
6 mm Square		M	F
DD		1	1
		1	2
		2	0
7 mm Triangular		M	F
DD		1	1
		1	2
		2	0
Slot		M	F
DD		1	1
		1	2
		2	0

- Stainless steel version: page 456
- Specially designed internal spring provides 1 mm torsion
- Sealing washer not supplied

MATERIAL

HOUSING: Zamak DIN-EN 1774-ZnAl4Cu1 or PA6 GFR 30
 DRIVER: Zamak DIN-EN 1774-ZnAl4Cu1 or PA6 GFR 30
 CAM: Steel



Application Keys
Code: 267

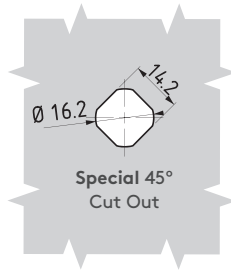
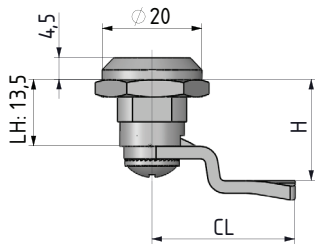
MATERIAL	M	FINISH	F
Zamak	1	Chrome plated	1
		Black coated	2
Plastic	2	No finish	0

Group Code	Housing	Driver	Driver	Cam	IP 65		
066	M	F	M	F	DD	CC	*

*: add "1" for IP 65

For cams please check pages: 175 (Cam-3)

For keys please check page: 191



DRIVERS			
6 mm Square		M	F
DD		1	1
26		1	2
		2	0
7 mm Triangular		M	F
DD		1	1
		1	2
37		2	0
Slot		M	F
DD		1	1
		1	2
42		2	0

266

MINI QUARTER TURN –
SPRING LOADED



- Stainless steel version: page 456
- Specially designed internal spring provides 1 mm torsion
- Sealing washer not supplied

MATERIAL

HOUSING: Zamak DIN-EN 1774-ZnAl4Cu1 or PA6 GFR 30
 DRIVER: Zamak DIN-EN 1774-ZnAl4Cu1 or PA6 GFR 30
 CAM: Steel



Application Keys
Code: 267

MATERIAL	M	FINISH	F
Zamak	1	Chrome plated	1
		Black coated	2
Plastic	2	No finish	0

Group Code	Housing	Driver	Driver	Cam	IP 65
266	M F	M F	DD	CC	*

*: add "1" for IP 65

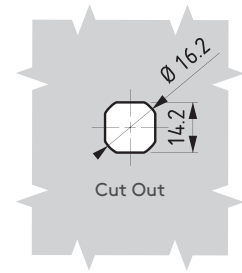
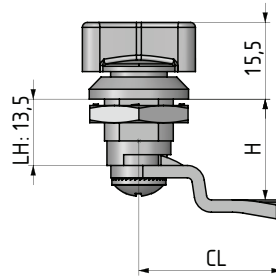
For cams please check pages: 175 (Cam-3)

For keys please check page:191

▶ QUARTER-TURN LOCKS

MINI QUARTER TURN – WING KNOB

166



- Wing operates lock and serves as knob
- Sealing washer not supplied

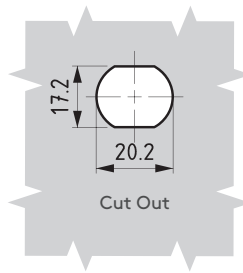
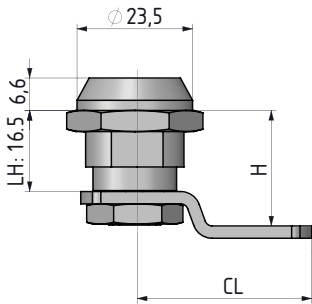
MATERIAL

HOUSING: Zamak DIN-EN 1774-ZnAl4Cu1 or PA6 GFR 30
 KNOB: Zamak DIN-EN 1774-ZnAl4Cu1 or PA6 GFR 30
 CAM: Steel

MATERIAL	M	FINISH	F
Zamak	1	Chrome plated	1
		Black coated	2
Plastic	2	No finish	0

Group Code	Housing	Knob	Driver	Cam
166	M	F	DD	CC

For cams please check pages: 175 (Cam-3)



DRIVERS	
Slot	
DD	
83	
9 mm Triangular	
DD	
39	
6 mm hexagon	
DD	
66	

050

CAM LOCK - BALL



- Special index action to assist locking and keep cam in position
- Stable in open position

MATERIAL
 HOUSING: Zamak DIN-EN 1774-ZnAl4Cu1
 CAM: Steel

FINISH
 Chrome plated

Application keys:



267-39



669-66

MATERIAL	M	FINISH	F
Zamak	1	Chrome plated	1
		Black coated	2

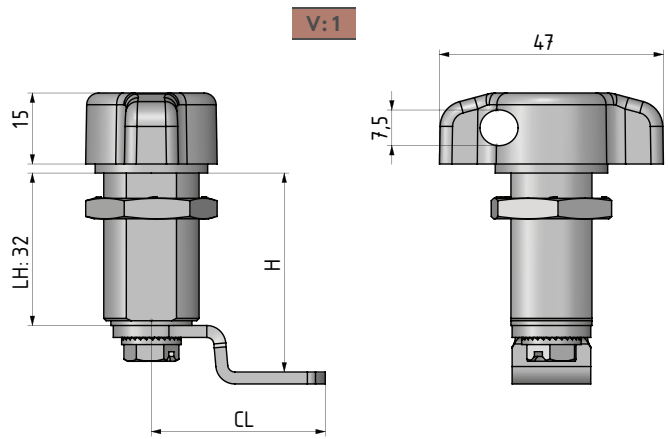
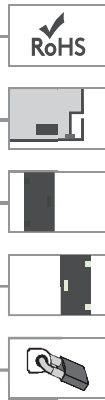
Group Code	Material	Finish	Driver	Cam
050	1	F	DD	CC

For cams please check pages: 175 (Cam-2)

▶ QUARTER-TURN LOCKS

PADLOCKABLE – KNOB

055



- Padlockable version
- Padlock shackle diameter
Minimum 4 mm – Maximum 6 mm

MATERIAL

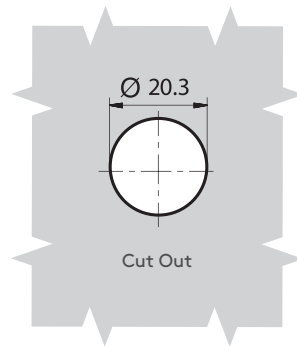
HOUSING: Zamak DIN-EN 1774-ZnAl4Cu1
 KNOB: Zamak DIN-EN 1774-ZnAl4Cu1
 CAM: Steel

FINISH

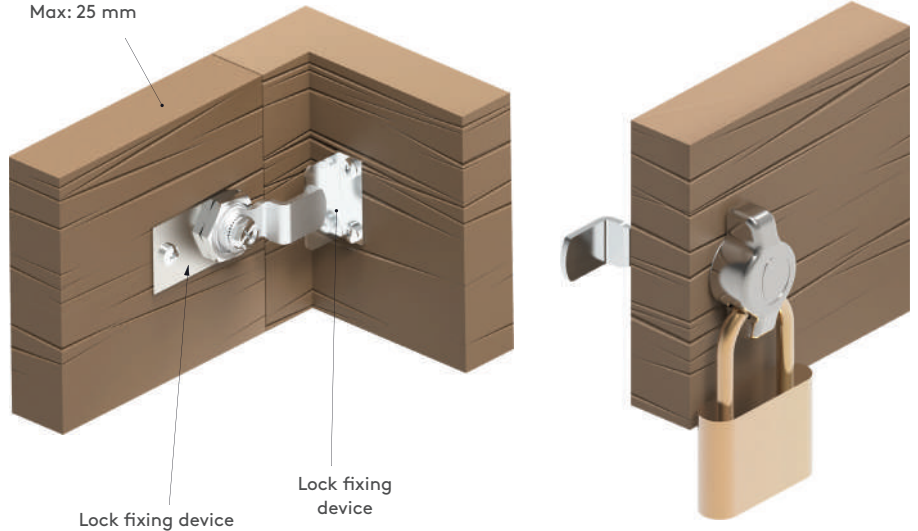
Nickel Plated

⚠ **Note:** Not suitable to use with long-shackle padlocks.

⚠ **Note:** For ball application please contact Essentra Components



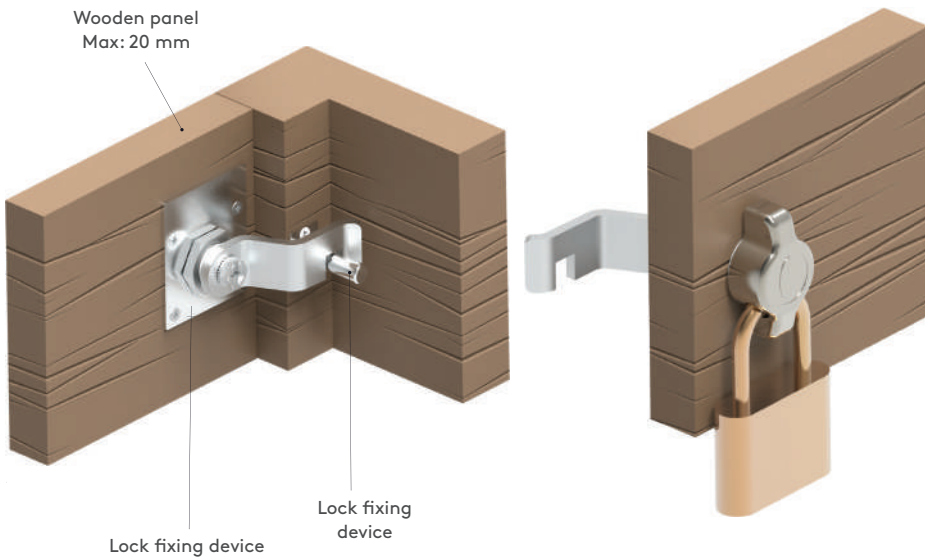
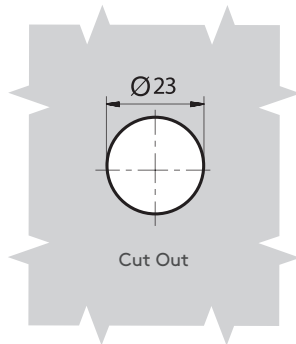
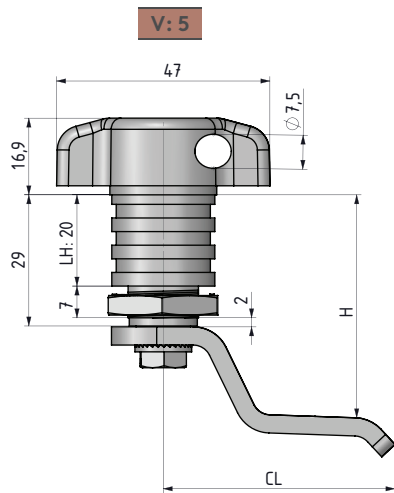
Wooden panel
Max: 25 mm



Group Code	Version	Cam	Door Direction
055	1	CC	

DOOR DIRECTION	
Right hand	001
Left hand	002

📄 For cams please check pages: 175 (Cam-1)



055

PADLOCKABLE - KNOB



- Padlockable version
- Padlock shackle diameter Minimum 4 mm - Maximum 6 mm

MATERIAL

HOUSING: Zamak DIN-EN 1774-ZnAl4Cu1

KNOB: Zamak DIN-EN 1774-ZnAl4Cu1

CAM: Steel

FINISH

Nickel Plated

⚠ Note: Not suitable to use with long-shackle padlocks.

⚠ Note: For different cams please contact Essentra Components

Group Code	Version	Cam	Door Direction
055	5	CC	

DOOR DIRECTION	
Right hand	001
Left hand	002

For cams please check pages: 175

▶ QUARTER-TURN LOCKS

PADLOCKABLE – KNOB

055



- Easy assembly by clip
- Can be used for panel thickness 0.8 to 1.2 mm
- Padlockable version
- Padlock shackle diameter
Minimum 4 mm – Maximum 6 mm

MATERIAL

HOUSING: Zamak DIN-EN 1774-ZnAl4Cu1
 KNOB: Zamak DIN-EN 1774-ZnAl4Cu1
 CAM: Steel

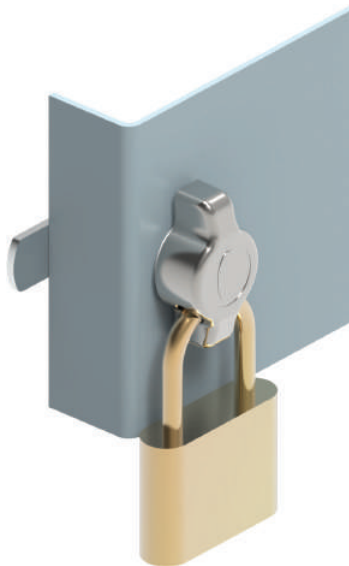
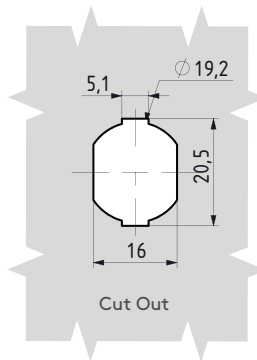
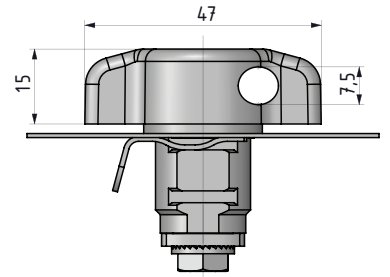
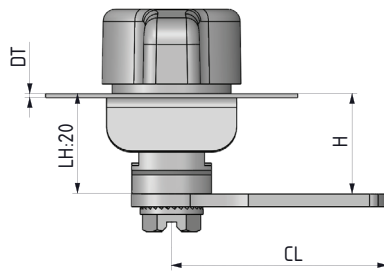
FINISH

Nickel Plated

⚠ **Note:** Not suitable to use with long-shackle padlocks.

⚠ **Note:** For ball application please contact Essentra Components

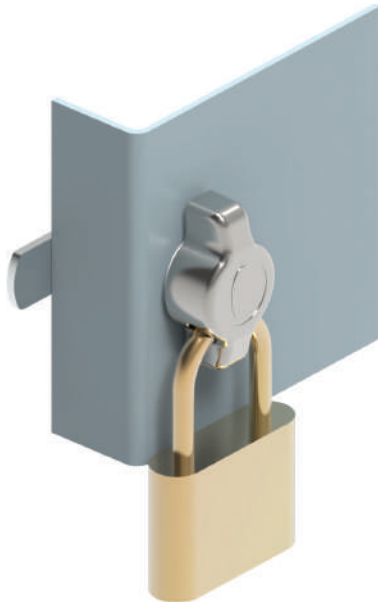
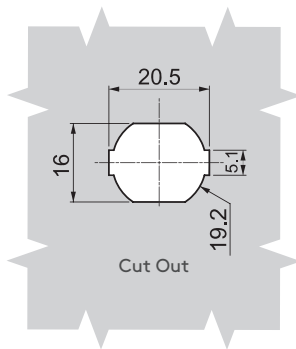
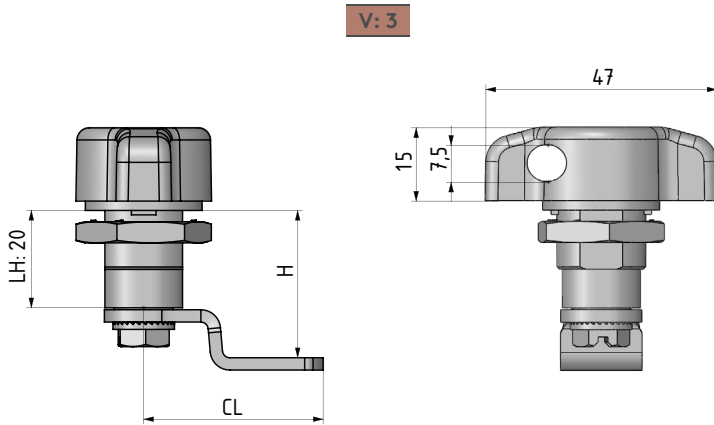
V: 4



Group Code	Version	Cam	Door Direction
055	4	CC	

DOOR DIRECTION	
Right hand	001
Left hand	002

For cams please check pages: 175 (Cam-1)



055

PADLOCKABLE – KNOB



- Padlockable version
- Padlock shackle diameter
Minimum 4 mm – Maximum 6 mm

MATERIAL

HOUSING: Zamak DIN-EN 1774-ZnAl4Cu1
 KNOB: Zamak DIN-EN 1774-ZnAl4Cu1
 CAM: Steel

FINISH

Nickel Plated

⚠ Note: Not suitable to use with long-shackle padlocks.

⚠ Note: For ball application please contact Essentra Components

Group Code	Version	Cam	Door Direction
055	3	CC	

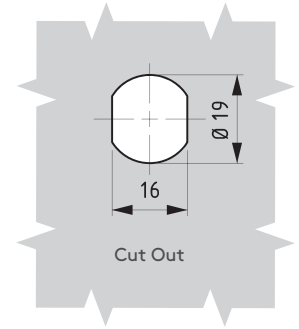
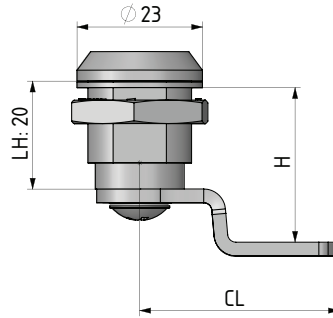
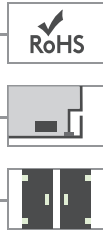
DOOR DIRECTION	
Right hand	001
Left hand	002

For cams please check pages: 175 (Cam-1)

▶ QUARTER-TURN LOCKS

QUARTER TURN – SPRING LOADED

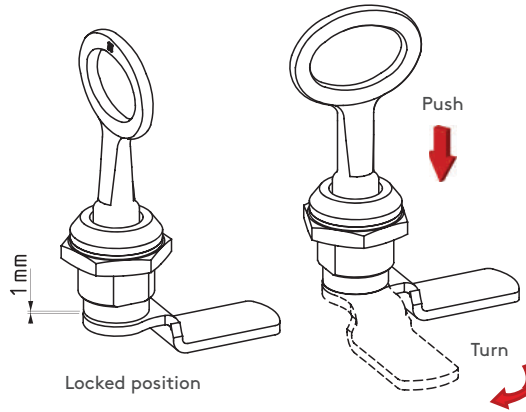
350



- Vibration proof quarter turn
- Opening the lock only possible by pushing and rotating the driver by the key
- Nickel plating is an option

MATERIAL

HOUSING: Zamak DIN-EN 1774-ZnAl4Cu1
 DRIVER: Zamak DIN-EN 1774-ZnAl4Cu1
 NUT: Zamak DIN-EN 1774-ZnAl4Cu1
 CAM: Steel

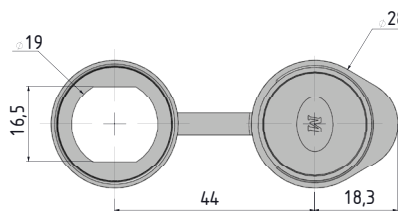


DRIVERS

		M	F
3 mm Double Bit			
DD		1	1
		1	2
13		1	4
7 mm Triangular		1	1
DD		1	1
		1	2
37		1	4
7 mm Square			
DD		1	1
		1	2
27		1	4
Slot			
DD		1	1
		1	2
42		1	4

DUST CAP

050 A4



MATERIAL	M	FINISH	F
Zamak	1	Chrome plated	1
		Black coated	2
		Nikel kaplama	4

Group Code	Material	Finish	Driver No	Cam
350	1	F	DD	CC

For cams please check pages: 175 (Cam-1)

For keys please check page: 191

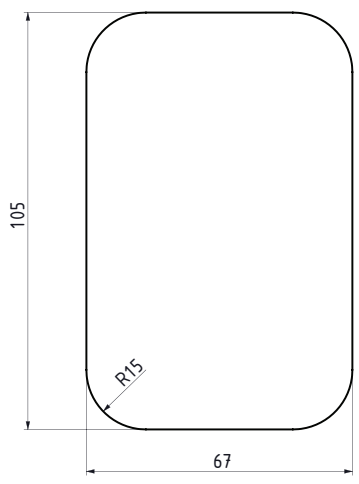
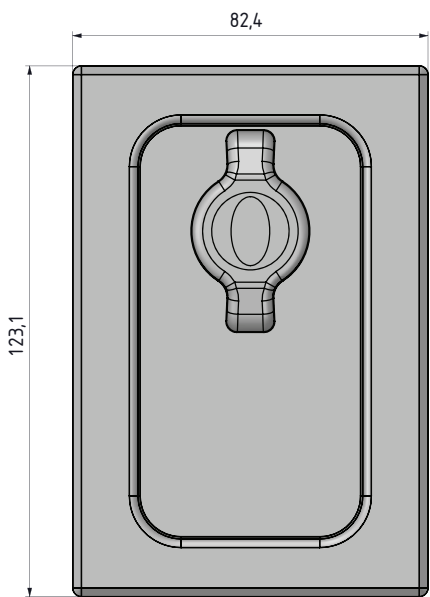
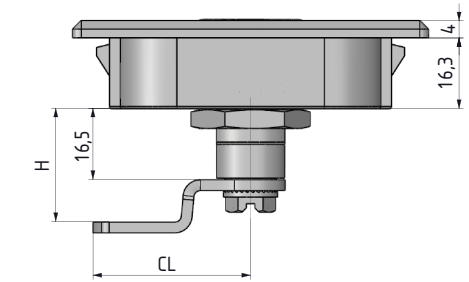
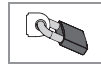


055

CABINET LOCK

NEW

RoHS



Cut Out

MATERIAL
 BODY: PA6 GFR 30
 KNOB: Zamak DIN-EN 1774-ZnAl4Cu1 or PA6 GFR 30
 CAM: Steel
FINISH
 Body: Nickel Plated

Group Code	Version	Cam	Door Direction
055	6	CC	

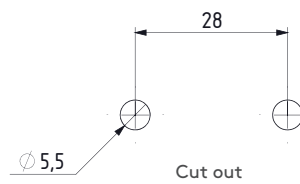
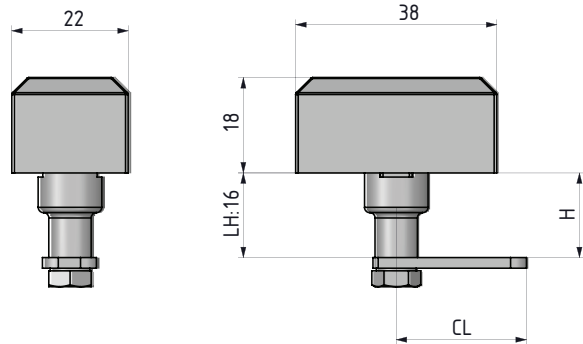
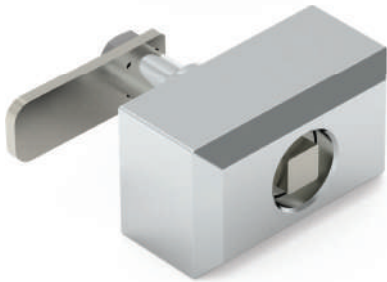
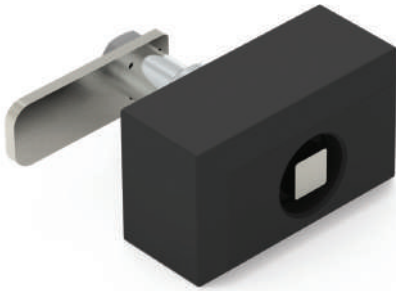
DOOR DIRECTION	
Right hand	001
Left hand	002

For cams please check pages: 175 (Cam-1)

▶ QUARTER-TURN LOCKS

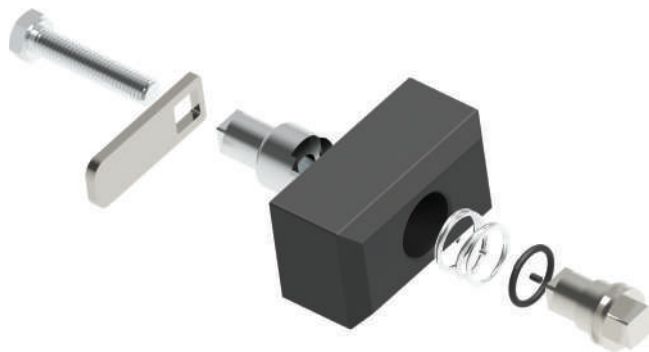
QUARTER-TURN LOCK

666



MATERIAL

BODY: Zamak DIN-EN 1774-ZnAl4Cu1
 DRIVER: Stainless Steel
 CAM: Stainless Steel
FINISH
 Chrome plated or Black coated

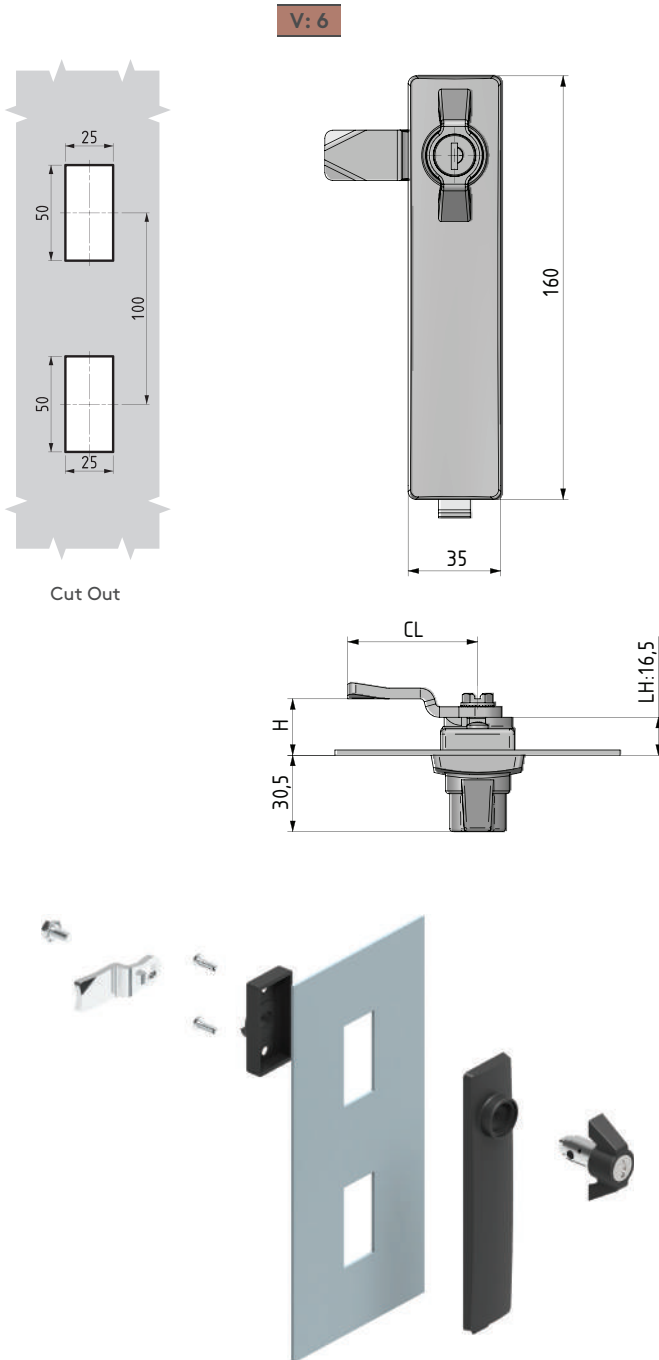


MATERIAL	M	FINISH	F
Zamak	1	Chrome plated	1
		Black coated	2
Stainless Steel	4	No finish	0

Group Code	Housing	Driver	Driver No	Cam
666	1	F	4 0	DD CC

For cams please check pages: 458

For drivers please check pages: 194



203 QUARTER TURN – WING KNOB

- IP 54
- Key
- RoHS
- Door
- Cylinder



MATERIAL

BODY: PA6 GFR 30
 KNOB: Zamak DIN-EN 1774-ZnAl4Cu1 or PA6 GFR 30
 CAM: Steel
 GASKET: Polyurethane

CYLINDER	SPECIFICATIONS	DD
	No cylinder	00
	Keyed alike	01
	Keyed differ	02
	Euro key (5333)	05
	CH751 (Stainless steel dust cap)	07

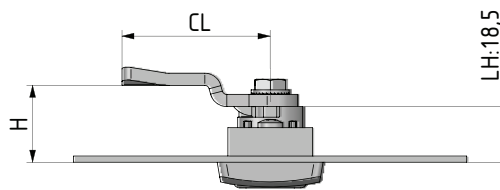
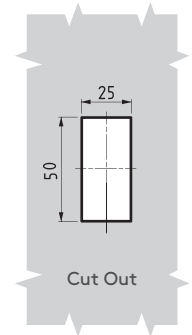
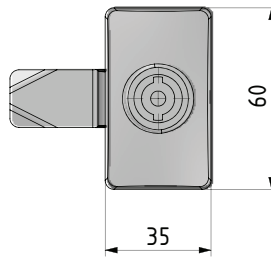
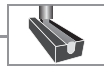
Group Code	Version	Cylinder	Cam
203	6	DD	CC

For cams please check pages: 170 - 171

▶ QUARTER-TURN LOCKS

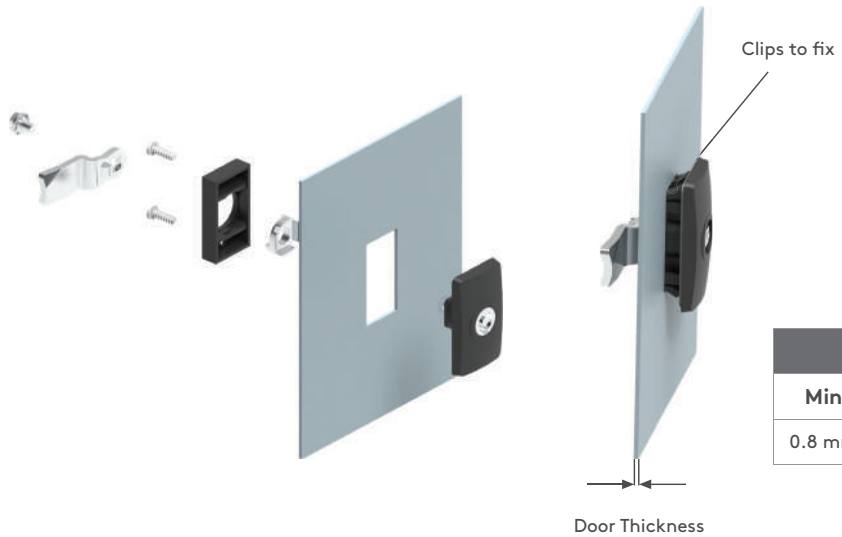
QUARTER-TURN LOCK

103



MATERIAL

BODY: PA6 GFR 30
 DRIVER: Zamak DIN-EN 1774-ZnAl4Cu1 or PA6 GFR 30
 CAM: Steel
 GASKET: Polyurethane



DT	
Min	Max
0.8 mm	1.8 mm

V: 1

With cover fix

V: 6

Clips to fix

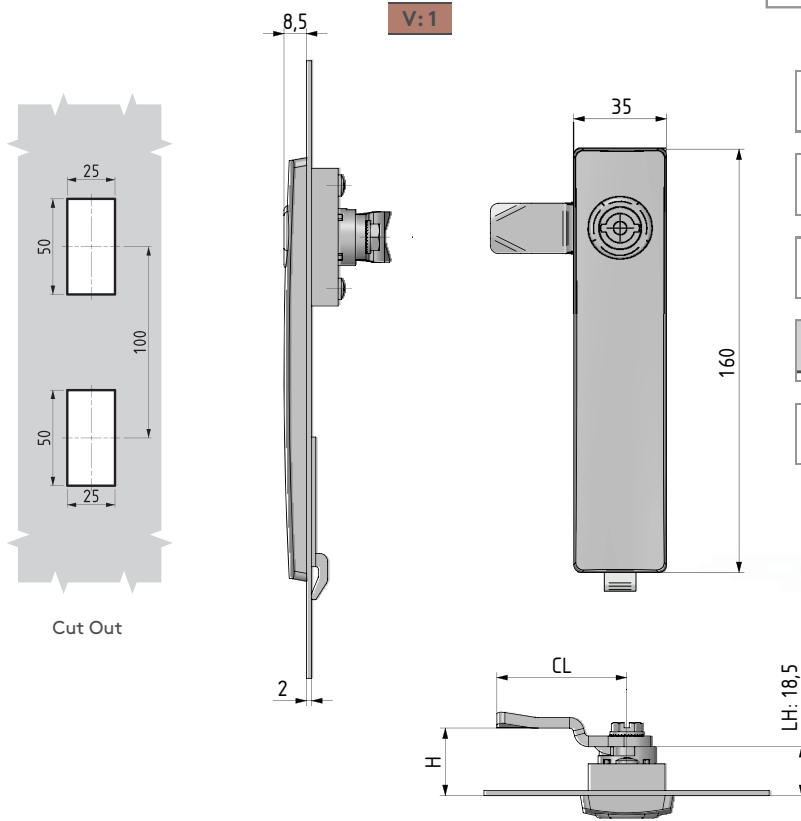
MATERIAL	M	FINISH	F
Zamak	1	Chrome plated	1
		Black coated	2

Group Code	Version	Driver	Driver No	Cam
103	V	M	F	DD

For cams please check pages: 170 - 171

For drivers please check page: 194

For keys please check pages: 189 - 191



203

QUARTER-TURN LOCK



MATERIAL

BODY: PA6 GFR 30
 DRIVER: Zamak DIN-EN 1774-ZnAl4Cu1 or PA6 GFR 30
 CAM: Steel
 GASKET: Polyurethane

MATERIAL	M	FINISH	F
Zamak	1	Chrome plated	1
		Black coated	2

Group Code	Version	Driver	Driver No	Cam
203	1	M	F	DD CC

- For cams please check pages: 170 - 171
- For drivers please check page: 194
- For keys please check pages: 189 - 191



248



249



NEW

250



251



252



253



254



255



256



257



258



259



260



261



262



263



264



264



NEW

265



266



267



268



269



270



271



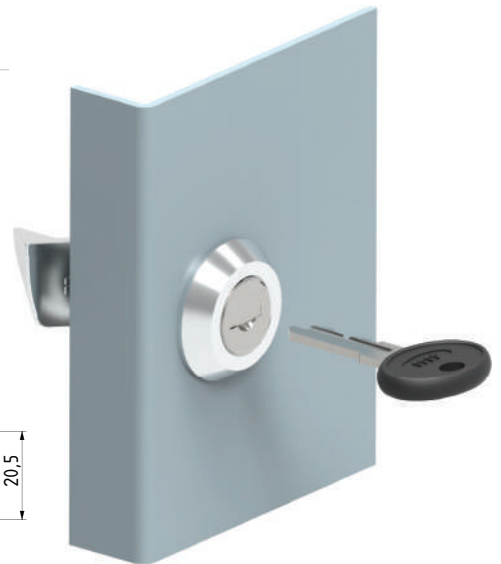
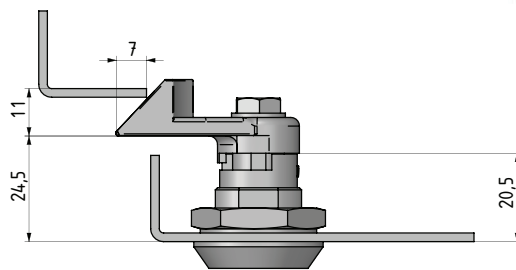
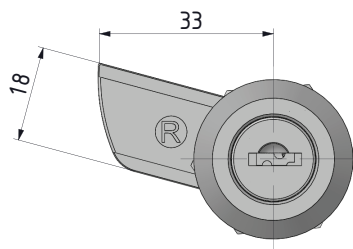
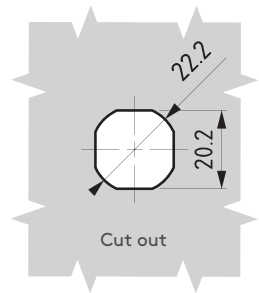
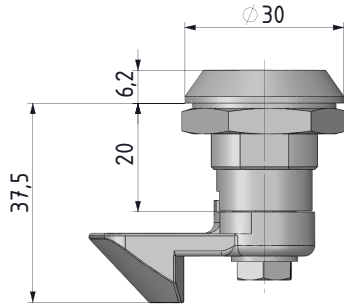
CAM LOCKS

246-271



SPRING CAM LOCK

163



- Spring-loaded cam provides depress-to-lock action
- Distance between inside of lock face and front of cam fixed at 24 mm
- There is no IP 65 version of this lock, due to spring loaded cam

APPLICATIONS

Electric panels, machinery covers

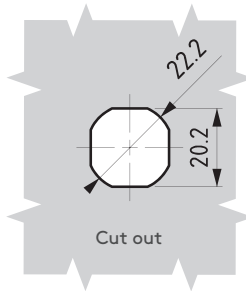
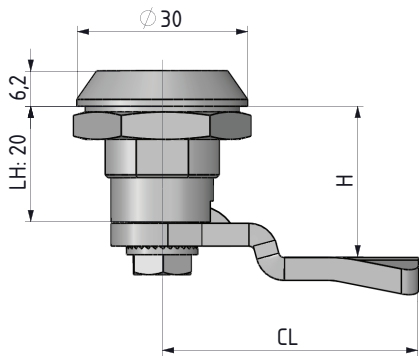
MATERIAL

HOUSING: Zamak DIN-EN 1774-ZnAl4Cu1
 CYLINDER: Zamak DIN-EN 1774-ZnAl4Cu11
 CAM: Steel
 GASKET: Rubber

MATERIAL	M	FINISH	F	DOOR DIRECTION
Zamak	1	Chrome plated	1	Right hand 001
		Black coated	2	Left hand 002

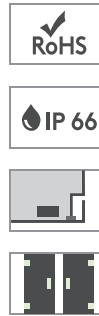
	CYLINDER	DD
	Keyed alike (Stainless steel dust cap)	03
	Keyed differ (Stainless steel dust cap)	32
	Master System	04
	Euro key (5333)	05
	CH751 (Stainless steel dust cap)	07

Group Code	Material	Finish	Cylinder	Door Direction
163	1	F	DD	



063


CAM LOCK



- **Stainless steel version: page 476**
- Quarter-turn operation
- Body length 20.5 mm (Please be sure to order appropriate cam)
- Available in all die-cast zinc alloy or with polyamide housing

MATERIAL
HOUSING: Zamak DIN-EN 1774-ZnAl4Cu1 or PA6 GFR 30
CAM: Steel or Plastic
GASKET: Rubber

MATERIAL	M	FINISH	F
Zamak	1	Chrome plated	1
		Black coated	2
Plastic	2	No finish	0

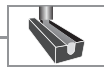
	CYLINDER	DD
	Keyed alike (Stainless steel dust cap)	03
	Keyed differ (Stainless steel dust cap)	32
	Master System	04
	Euro key (5333)	05
	CH751 (Stainless steel dust cap)	07

Group Code	Material	Finish	Cylinder	Cam
063	M	F	DD	CC

 For cams please check pages: 170 - 171

CAM LOCK – EASY FIXING

761



- Easy assembly by plastic clips
- Applicable on different panel thicknesses
- Standard cut out

MATERIAL

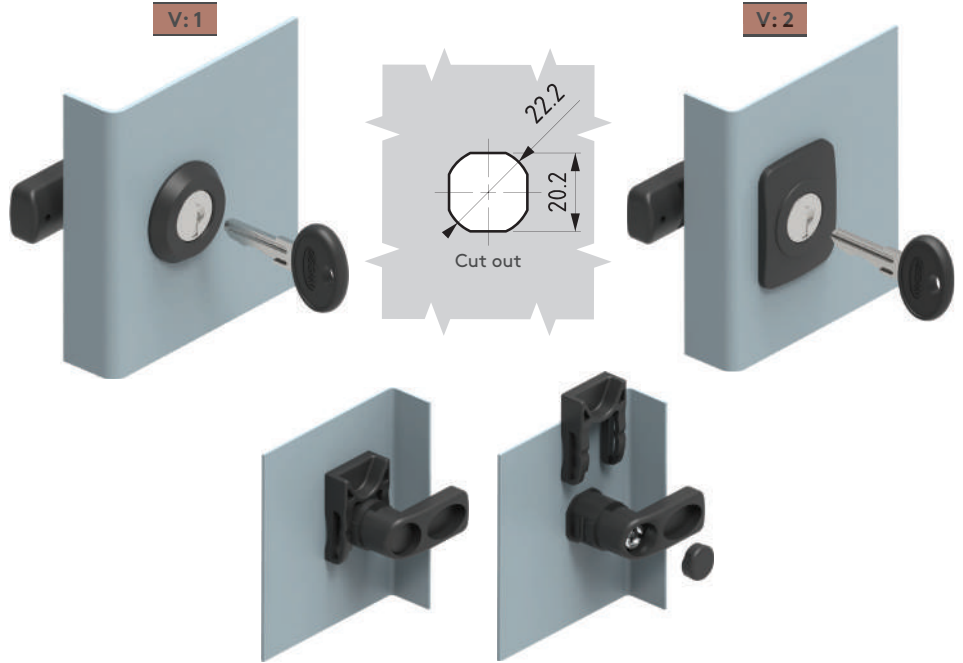
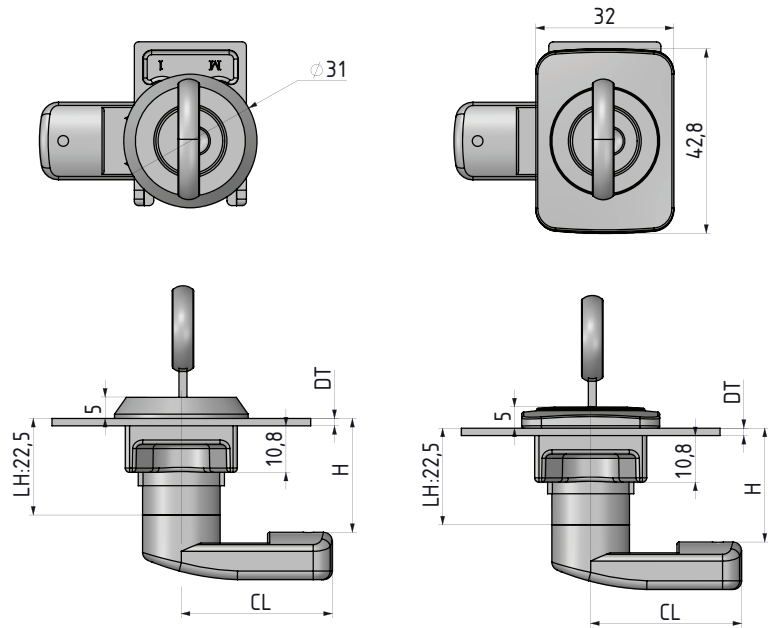
HOUSING: Polyamide DIN-EN ISO 1043-1 PA6 GFR 30

CAM: Plastic or steel



320.02.221
BOLT COVER (For grounding)

- Can order separately (only for plastic cams)



DOOR THICKNESS	DT
1.2 -1.8 mm panel	12
1.8 -2.3 mm panel	23

CYLINDER	DD
	Keyed alike (Stainless steel dust cap)
Keyed differ (Stainless steel dust cap)	32
Master System	04
Euro key (5333)	05
CH751 (Stainless steel dust cap)	07

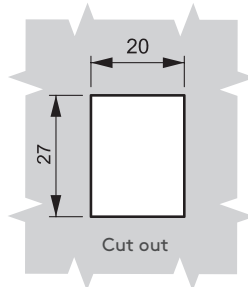
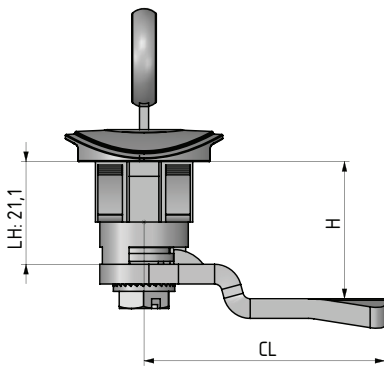
Group Code	Version	Housing	Cylinder	Door Thickness	Cam
761	V	2	0	DD	CC

For cams please check pages: 170 - 171



261

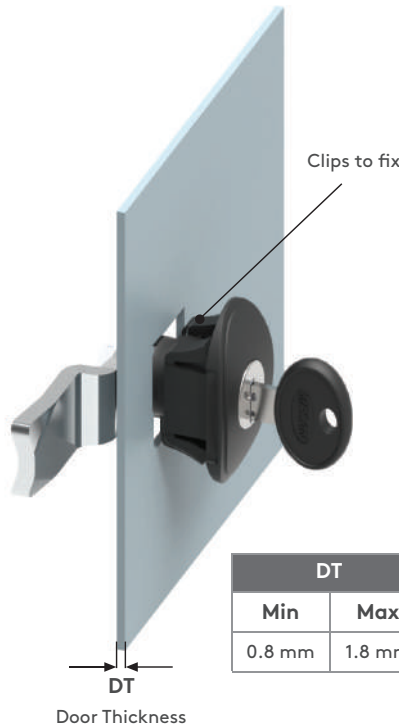
KNOB LOCK




- Clip fixing for easy assembly
- Mounting nut not required
- Special 20 mm x 26 mm cut out
- No IP 65 version of this lock
- 1.8 mm maximum panel thickness

MATERIAL

HOUSING: Polyamide DIN-EN ISO 1043-1 PA6 GFR 30
CAM: Steel or plastic



DT	
Min	Max
0.8 mm	1.8 mm

	CYLINDER	
	Keyed alike (Stainless steel dust cap)	DD
	Keyed differ (Stainless steel dust cap)	03
	Master System	32
	Euro key (5333)	04
	CH751 (Stainless steel dust cap)	05
	07	

Group Code	Material	Finish	Cylinder	Cam
261	2	0	DD	CC

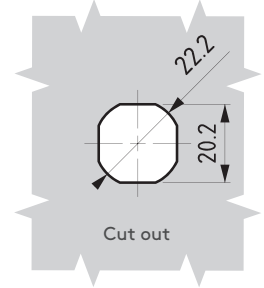
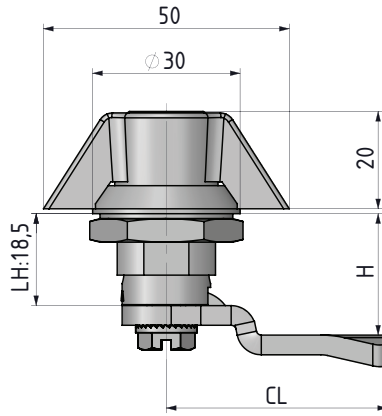
For cams please check pages: 170 - 171

CAM LOCK - WING KNOB

065



- RoHS
- IP 65
-
-



- **Stainless steel version: page 474**
- Quarter-turn operation
- Available in all die-cast zinc alloy or with polyamide wing knob and housing
- Optional blind version

MATERIAL

HOUSING: Zamak DIN-EN 1774-ZnAl4Cu1
 CAM: Steel or Plastic
 GASKET: Rubber

No cylinder '00'

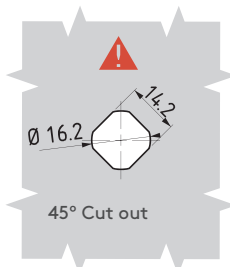
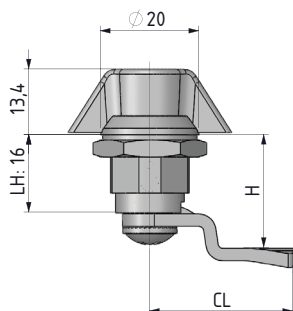


MATERIAL	M	FINISH	F
Zamak	1	Chrome plated	1
		Black coated	2
Plastic	2	No finish	0

CYLINDER		DD
	No cylinder	00
	Keyed alike (Stainless steel dust cap)	03
	Keyed differ (Stainless steel dust cap)	32
	Master System	04
	Euro key (5333)	05
	CH751 (Stainless steel dust cap)	07

Group Code	Material	Finish	Cylinder	Cam
065	M	F	DD	CC

For cams please check pages: 170 - 171



165

MINI CAM LOCK - WING KNOB




- Quarter-turn operation
- Available all die-cast zinc alloy
- Suitable for small cabinets

MATERIAL

HOUSING: Zamak DIN-EN 1774-ZnAl4Cu1
 KNOB: Zamak DIN-EN 1774-ZnAl4Cu1
 CAM: Steel

MATERIAL	M	FINISH	F
Zamak	1	Chrome plated	1
		Black coated	2

	CYLINDER	DD
	Keyed alike (Stainless steel dust cap)	03
	Keyed differ (Stainless steel dust cap)	32

Group Code	Material	Finish	Cylinder	Cam
165	1	F	DD	CC

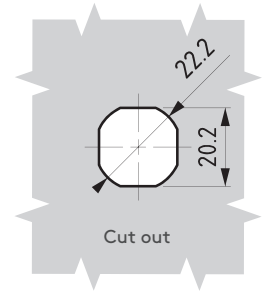
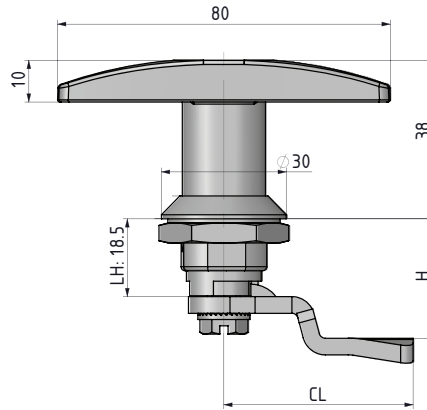
 For cams please check page: 175

CAM LOCK – T HANDLE

110



- RoHS
- IP 65



- Stainless steel version: page 472
- Quarter-turn operation
- Available in all die-cast zinc alloy or with polyamide wing handle and housing
- Optional blind version

MATERIAL

HANDLE: Zamak DIN-EN 1774-ZnAl4Cu1 or PA6
HOUSING: Zamak DIN-EN 1774-ZnAl4Cu1
CAM: Steel or Plastic
GASKET: Rubber

MATERIAL	M	FINISH	F
Zamak	1	Chrome plated	1
		Black coated	2
Plastic	2	No finish	0

	CYLINDER	DD
	No cylinder	00
	Keyed alike (Stainless steel dust cap)	03
	Keyed differ (Stainless steel dust cap)	32
	Euro key (5333)	05
	CH751 (Stainless steel dust cap)	07

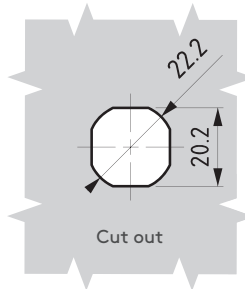
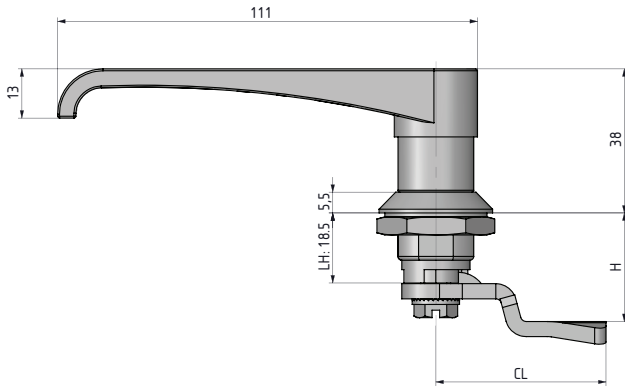
Group Code	Material	Finish	Cylinder	Cam
110	M	F	DD	CC

For cams please check pages: 170 - 171



111

CAM LOCK - L HANDLE



- Stainless steel version: page 473
- Quarter-turn operation
- Available in all die-cast zinc alloy or with polyamide wing handle and housing
- Optional blind version

MATERIAL

HANDLE: Zamak DIN-EN 1774-ZnAl4Cu1 or PA6
HOUSING: Zamak DIN-EN 1774-ZnAl4Cu1
CAM: Steel or Plastic
GASKET: Rubber

MATERIAL	M	FINISH	F
Zamak	1	Chrome plated	1
		Black coated	2
Plastic	2	No finish	0

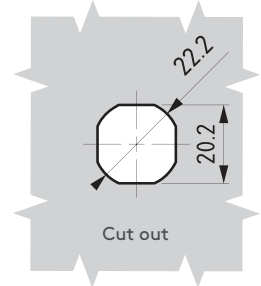
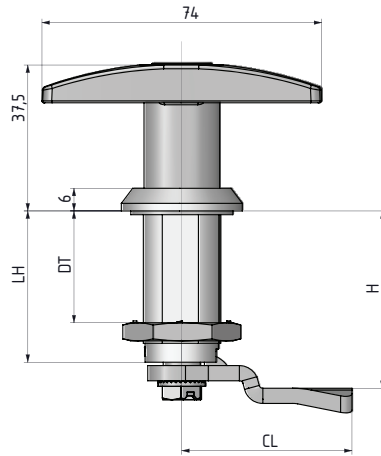
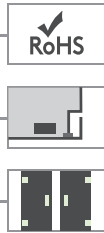
	CYLINDER	DD
	No cylinder	00
	Keyed alike (Stainless steel dust cap)	03
	Keyed differ (Stainless steel dust cap)	32
	Euro key (5333)	05
	CH751 (Stainless steel dust cap)	07

Group Code	Material	Finish	Cylinder	Cam
111	M	F	DD	CC

For cams please check pages: 170 - 171

CAM LOCK – T HANDLE

064



- Quarter-turn operation
- Available in all die-cast zinc alloy or with polyamide wing handle and housing
- Optional blind version

MATERIAL

HANDLE: Zamak DIN-EN 1774-ZnAl4Cu1 or PA6
HOUSING: Zamak DIN-EN 1774-ZnAl4Cu1
CAM: Steel or Plastic
GASKET: Rubber



DT	LH
20	30
30	40
40	50
50	60

MATERIAL	M	FINISH	F
Zamak	1	Chrome plated	1
		Black coated	2
Plastic	2	No finish	0

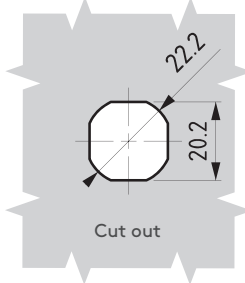
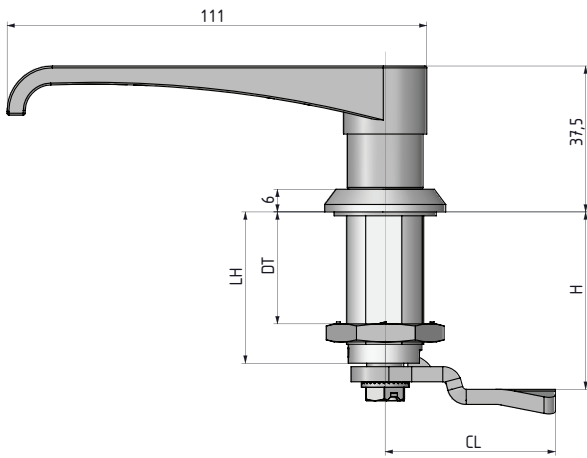
	CYLINDER	DD
	No cylinder	00
	Keyed alike (Stainless steel dust cap)	03
	Keyed differ (Stainless steel dust cap)	32
	Euro key (5333)	05
	CH751 (Stainless steel dust cap)	07

Group Code	Handle	Door Thickness	Material	Finish	Cylinder	Cam
064	110	DT	M	F	DD	CC

For cams please check pages: 170 - 171



064 CAM LOCK – L HANDLE



DT	LH
20	30
30	40
40	50
50	60



- Quarter-turn operation
- Available in all die-cast zinc alloy or with polyamide wing handle and housing
- Optional blind version

MATERIAL
HANDLE: Zamak DIN-EN 1774-ZnAl4Cu1 or PA6
HOUSING: Zamak DIN-EN 1774-ZnAl4Cu1
CAM: Steel or Plastic
GASKET: Rubber

MATERIAL	M	FINISH	F
Zamak	1	Chrome plated	1
		Black coated	2
Plastic	2	No finish	0

	CYLINDER	DD
	No cylinder	00
	Keyed alike (Stainless steel dust cap)	03
	Keyed differ (Stainless steel dust cap)	32
	Euro key (5333)	05
	CH751 (Stainless steel dust cap)	07

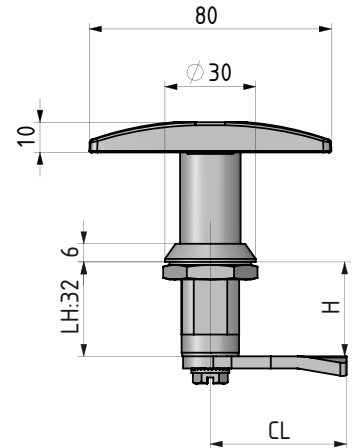
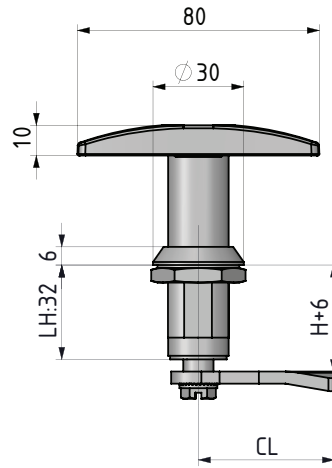
Group Code	Handle	Door Thickness	Material	Finish	Cylinder	Cam
064	111	DT	M	F	DD	CC

For cams please check pages: 170 - 171

CAM LOCKS

COMPRESSION LOCK - T HANDLE

240



- Used for cabinets require better sealing under vibrating conditions
- Provides 6 mm of compression
- Provides noise isolation
- Standard cams without stopper required for these locks

MATERIAL

HOUSING: Zamak DIN-EN 1774-ZnAl4Cu1

HANDLE: Zamak DIN-EN 1774-ZnAl4Cu1

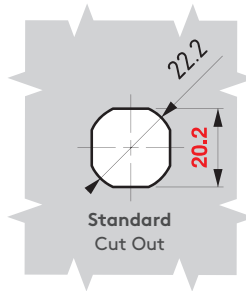
CAM: Steel

GASKET: Rubber

FINISH

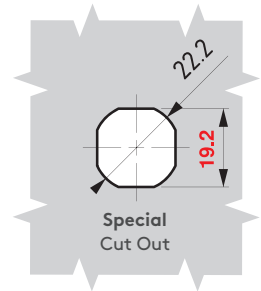
Chrome or black coated

V:1



Standard Cut Out

V:3



Special Cut Out

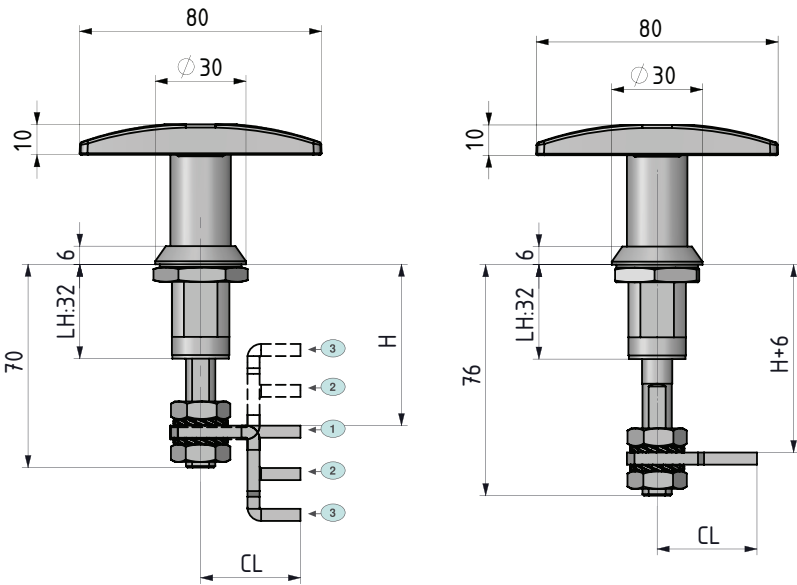


MATERIAL	M	FINISH	F
Zamak	1	Chrome plated	1
		Black coated	2

	CYLINDER		DD
	No cylinder		00
	Keyed alike (Stainless steel dust cap)		03
	Keyed differ (Stainless steel dust cap)		32
	CH751 (Stainless steel dust cap)		07

Group Code	Version	Material	Finish	Cylinder	Cam
240	V	1	F	DD	CC

For cams please check page:: 172 - 173



240

COMPRESSION LOCK - T HANDLE



CAM	STOCK CODE	CC	CH	CL	POSITION	H: GRIP MIN	H: GRIP MAX
1	30403565Y	01	0	33	Flat	41	58
2	30403566Y	02	14	33	Up	27	44
					Down	55	72
3	30403567Y	03	27,5	33	Up	13,5	30,5
					Down	68	85

- For the cabinets that require better sealing under vibrating conditions
- Provides 6 mm of compression
- Wide grip range with adjustable screw
- Provides noise isolation
- Three cam alternatives available

MATERIAL

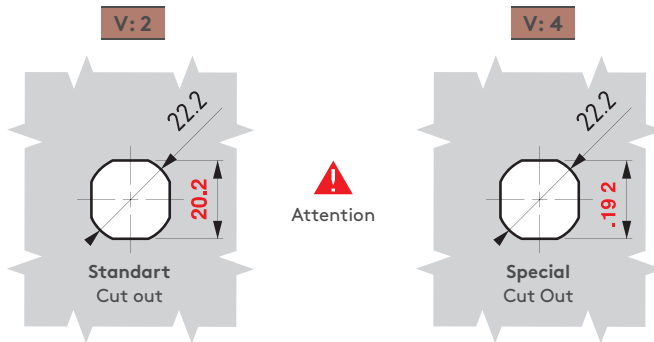
HOUSING: Zamak DIN-EN 1774-ZnAl4Cu1

HANDLE: Zamak DIN-EN 1774-ZnAl4Cu1

CAM: Steel
GASKET: Rubber

FINISH

Chrome or black coated



MATERIAL	M	FINISH	F
Zamak	1	Chrome plated	1
		Black coated	2

	CYLINDER	DD
	No cylinder	00
	Keyed alike (Stainless steel dust cap)	03
	Keyed differ (Stainless steel dust cap)	32
	CH751 (Stainless steel dust cap)	07

Group Code	Version	Material	Finish	Cylinder	Cam
240	V	1	F	DD	CC

FIXING DEVICE

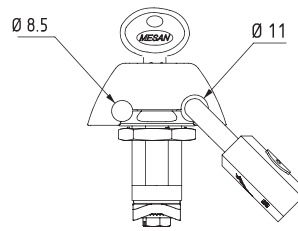
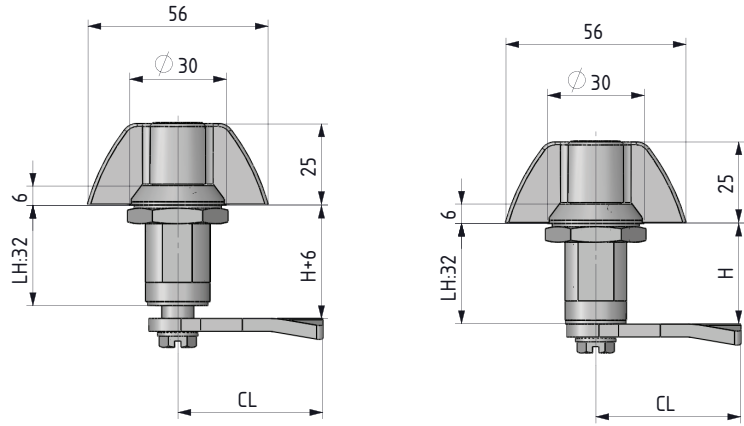


- Can be ordered separately
ORDER CODE: 060 A3.

▶ CAM LOCKS

COMPRESSION LOCK - WING KNOB

340



Padlock application

- Used for cabinets that require better sealing under vibrating conditions
- Provides 6 mm of compression
- Provides noise isolation
- Standard cams without stopper required for these locks
- Shackle diameter is
for 11 mm hole: min. 8.5 mm max. 10 mm
for 8.5 mm hole: min. 6 mm max. 7.5 mm

MATERIAL

HOUSING: Zamak DIN-EN 1774-ZnAl4Cu1

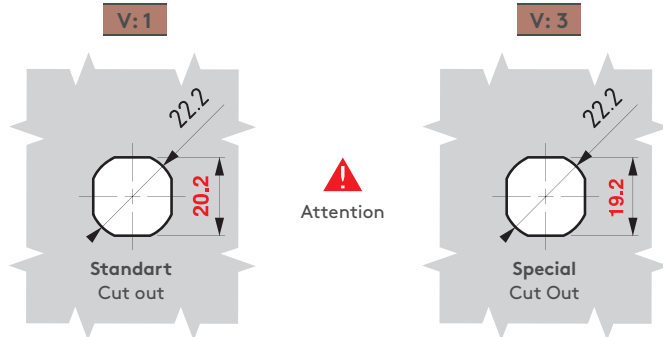
KNOB: Zamak DIN-EN 1774-ZnAl4Cu1

CAM: Steel


GASKET: Rubber

FINISH

Chrome or black coated



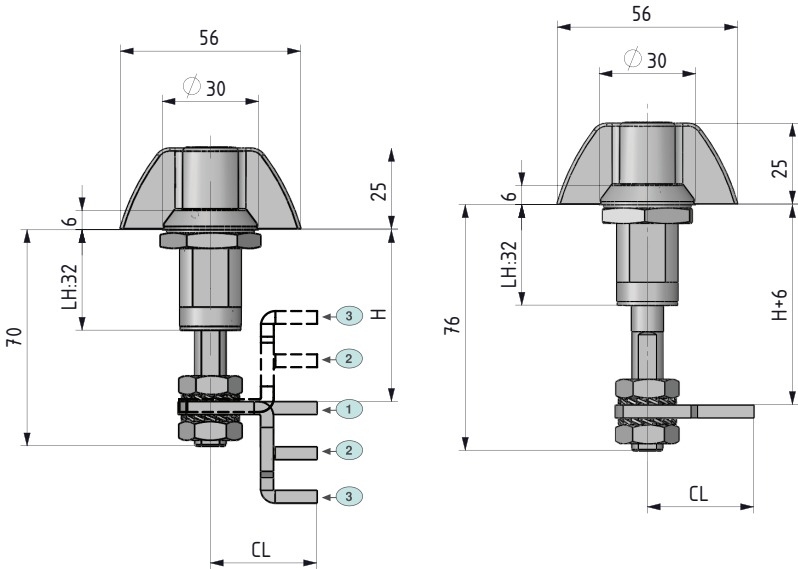
MATERIAL	M	FINISH	F
Zamak	1	Chrome plated	1
		Black coated	2

	CYLINDER		DD
	No cylinder		00
	Keyed alike (Stainless steel dust cap)		03
	Keyed differ (Stainless steel dust cap)		32
	CH751 (Stainless steel dust cap)		07

Group Code	Version	Material	Finish	Cylinder	Cam	Padlock *
340	V	1	F	DD	CC	

 For cams please check page:: 172 - 173

*: add "1" for padlock application.



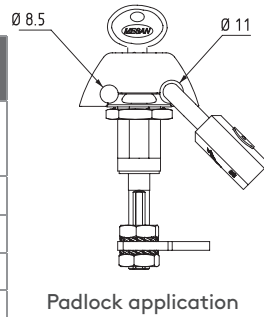
340

COMPRESSION LOCK - WING KNOB

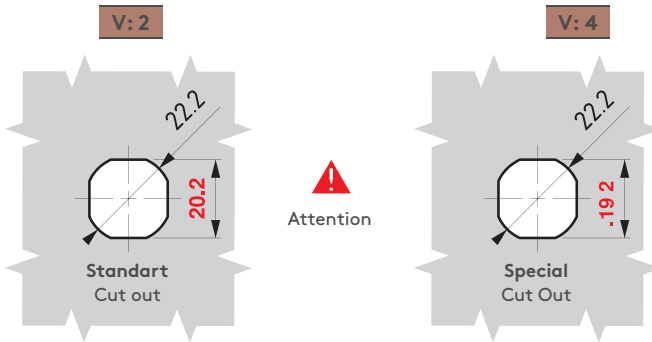
- RoHS
- IP 65
-
-



CAM	STOCK CODE	CC	CH	CL	POSITION	H: GRIP MIN	H: GRIP MAX
1	30403565Y	01	0	33	Flat	41	58
2	30403566Y	02	14	33	Up	27	44
					Down	55	72
3	30403567Y	03	27,5	33	Up	13,5	30,5
					Down	68	85



- For the cabinets that require better sealing under vibrating conditions
- Lock provides 6 mm of compression
- Wide grip range with adjustable screw
- Provides noise isolation
- Three cam alternatives available
- Shackle diameter is
 - for 11 mm hole: min. 8.5 mm max. 10 mm
 - for 8.5 mm hole: min. 6 mm max. 7.5 mm



MATERIAL	M	FINISH	F
Zamak	1	Chrome plated	1
		Black coated	2

	CYLINDER		DD
	No cylinder		00
	Keyed alike (Stainless steel dust cap)		03
	Keyed differ (Stainless steel dust cap)		32
	CH751 (Stainless steel dust cap)		07

Group Code	Version	Material	Finish	Cylinder	Cam	Padlock *
340	V	1	F	DD	CC	

*: add "1" for padlock application.

MATERIAL
HOUSING: Zamak DIN-EN 1774-ZnAl4Cu1
KNOB: Zamak DIN-EN 1774-ZnAl4Cu1
CAM: Steel
GASKET: Rubber
FINISH
 Chrome or black coated

FIXING DEVICE

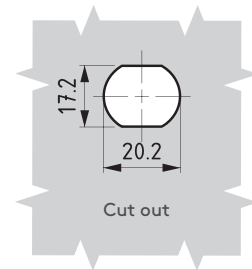
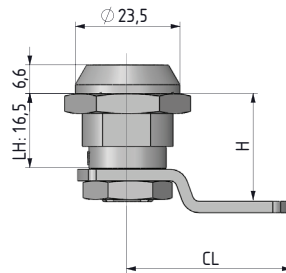


- Can be ordered separately
ORDER CODE: 060 A3.

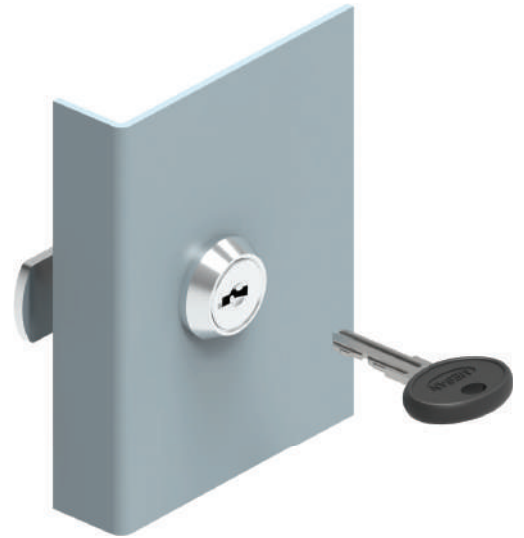
CAM LOCKS

CAM LOCK

050



MATERIAL
HOUSING: Zamak DIN-EN 1774-ZnAl4Cu1
CAM: Steel
FINISH
 Chrome plated



V: 1


KEY ROTATION ANGLE



V: 2

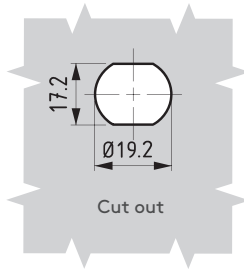
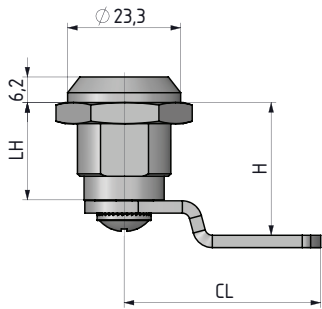
KEY ROTATION ANGLE



	CYLINDER		DD
	Keyed alike (Stainless steel dust cap)		03
	Keyed differ (Stainless steel dust cap)		32
	Euro key (5333)		05

Group Code	Version	Cylinder	Cam
050	V	DD	CC

For cams please check page: 175 (Cam-2)



LH
20
25
30

KEY ROTATION ANGLE




050

CAM LOCK



MATERIAL
 HOUSING: Zamak DIN-EN 1774-ZnAl4Cu1
 CAM: Steel
FINISH
 Chrome plated

	CYLINDER	DD
	Keyed alike (Stainless steel dust cap)	03
	Keyed differ (Stainless steel dust cap)	32
	Euro key (5333)	05

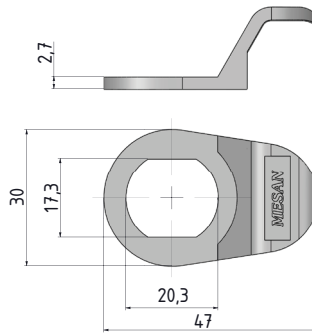
Group Code	Housing Length	Cylinder	Cam
050	LH	DD	CC

 For cams please check page: 175 (Cam-1)

CAM LOCKS

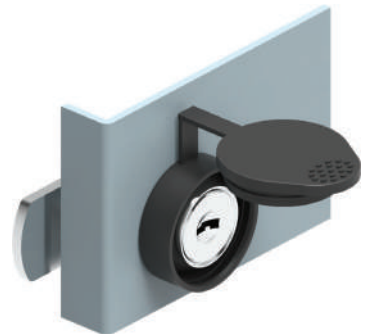
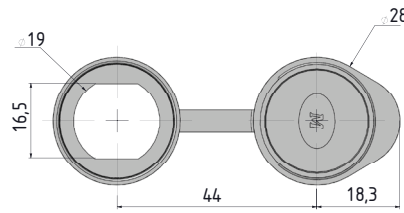
HANDLE FOR LOCK

050 A3



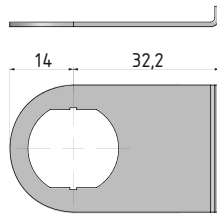
DUST CAP

050 A4



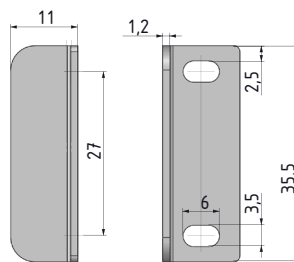
CAM LOCK FIXING PLATE FOR GLASS

050 A1



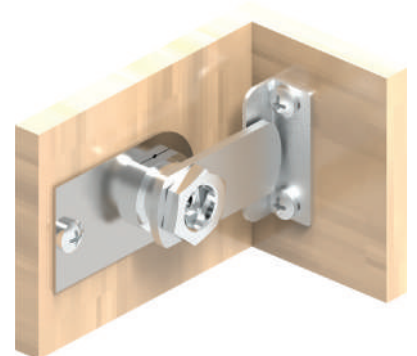
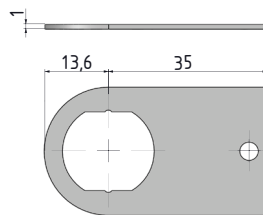
STRIKING PLATE

030 A1



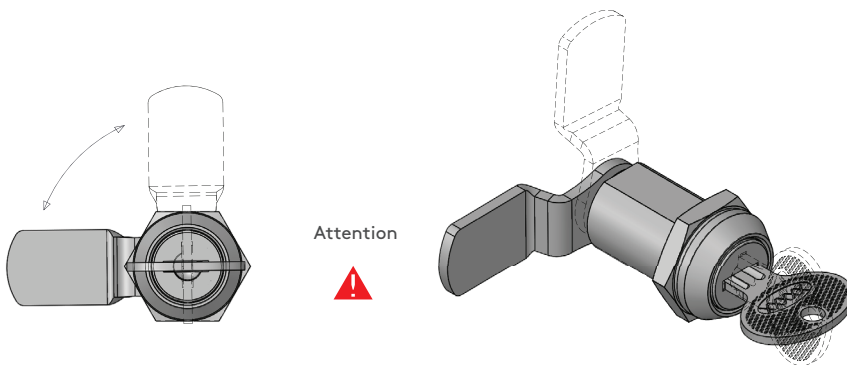
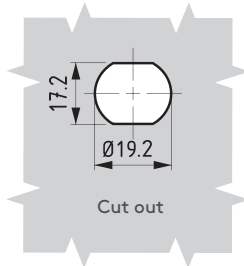
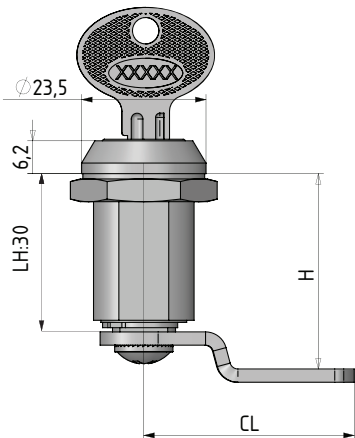
CAM LOCK FIXING PLATE FOR WOOD

055 A1



450

CAM LOCK SPRING LOADED




Cam throws back when the key is turned

MATERIAL
 HOUSING: Zamak DIN-EN 1774-ZnAl4Cu1
 CAM: Steel
FINISH
 Chrome plated

KEY ROTATION ANGLE



	CYLINDER	DD
	Keyed alike (Stainless steel dust cap)	03
	Keyed differ (Stainless steel dust cap)	32
	Master system	04
	Euro key (5333)	05

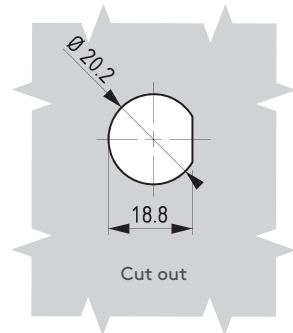
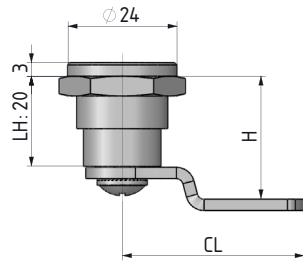
Group Code	Cylinder	Cam
450	DD	CC

 For cams please check page: 175 (Cam-1)

CAM LOCKS

CAM LOCK

150



- Designed for polyester cabinets
- Very low profile head
- Please note special shape of mounting hole

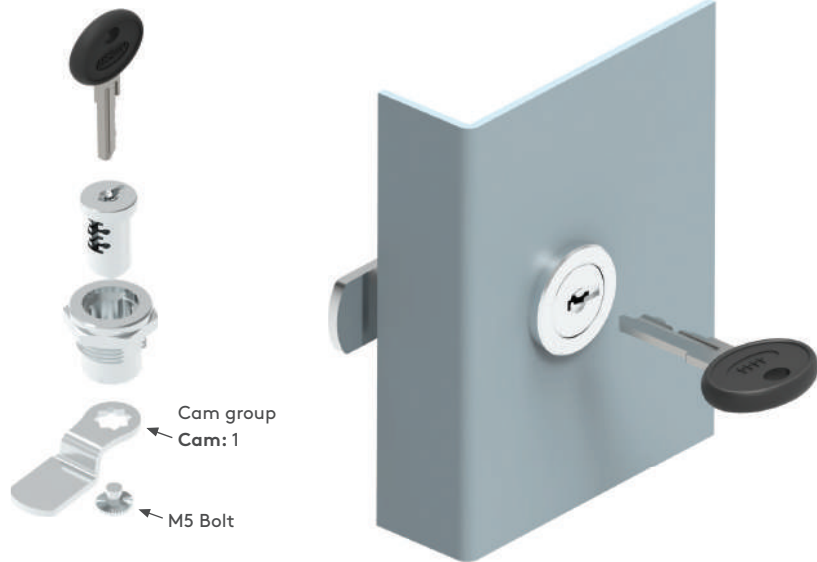
MATERIAL


HOUSING: Zamak DIN-EN 1774-ZnAl4Cu1
 CAM: Steel

FINISH

Chrome plated

KEY ROTATION ANGLE



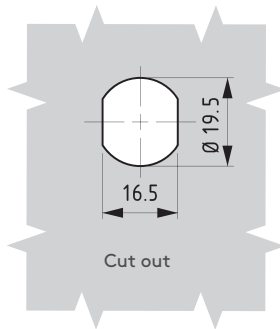
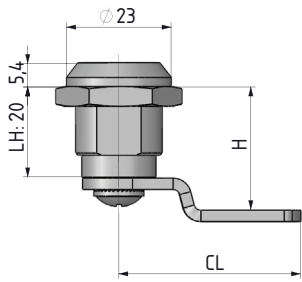
	CYLINDER	
	Keyed alike (Stainless steel dust cap)	DD
	Keyed differ (Stainless steel dust cap)	03
	Euro key (5333)	05

Group Code	Housing Length	Cylinder	Cam
150	20	DD	CC

For cams please check page: 175 (Cam-1)

250

CAM LOCK



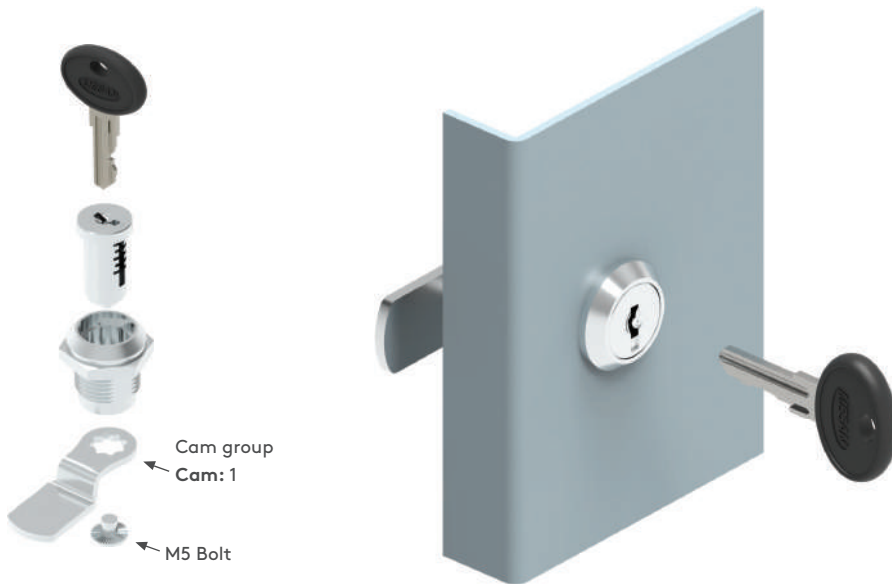
MATERIAL


HOUSING: Zamak DIN-EN 1774-ZnAl4Cu1

CAM: Steel

FINISH

Chrome plated



	CYLINDER	DD
	Keyed alike (Stainless steel dust cap)	03
	Keyed differ (Stainless steel dust cap)	32
	Euro key (5333)	05

Group Code	Housing Length	Cylinder	Cam
250	20	DD	CC

 For cams please check page: 175 (Cam-1)

MINI CAM LOCK

057



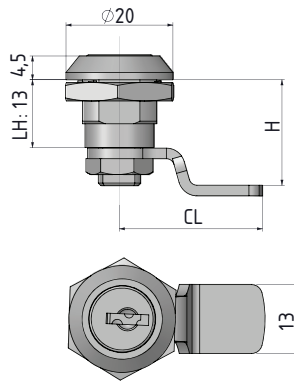
- Keyed differ has maximum 100 key combination
- Panel thickness in clips version It is between 0.8 mm-1.2 mm.

MATERIAL

HOUSING: Zamak DIN-EN 1774-ZnAl4Cu1
CAM: Steel

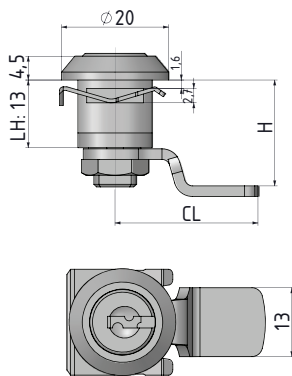
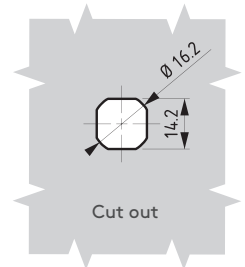
FINISH
 Chrome

KEY ROTATION ANGLE



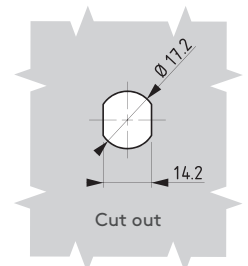
V: 1


Fixed by nut



V: 3

Fixed by clips



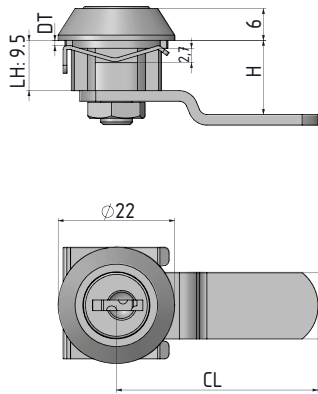
	CYLINDER	DD
	Keyed alike (Stainless steel dust cap)	03
	Keyed differ (Stainless steel dust cap)	32

Group Code	Version	Cylinder	Cam
057	V	DD	CC

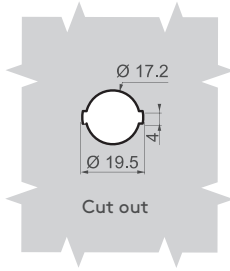
 For cams please check page: 175 (Cam-4)

157

MINI CAM LOCK



Fixed by clips



Cut out



- Suitable for both steel and aluminium profile

MATERIAL
 HOUSING: Zamak DIN-EN 1774-ZnAl4Cu1
 CAM: Steel

STOCK CODE	CC	CH	CL	LH:9.5 H
30403487Y	27	0	16	9.5
31403040Y	28	1	33	10.5
31403032Y	23	1	38	10.5
30403469Y	24	5	38	14.5
*31403041Y	29	6	30	15.5


* Hook cam (CC: 29)

DOOR THICKNESS	VERSION
1.2 -1.5 mm	1
0.8 -1.2 mm	2



KEY ROTATION ANGLE

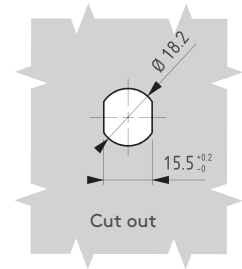
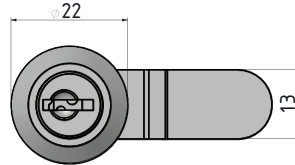
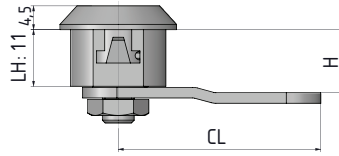


	CYLINDER	
	Keyed alike (Stainless steel dust cap)	DD
	Keyed differ (Stainless steel dust cap)	03

Group Code	Version	Cylinder	Cam
157	V	DD	CC

MINI CAM LOCK

257



- Easy assembly with clips on housing
- Panel thickness is max 1.7 mm.

MATERIAL

HOUSING: Polyamide DIN-EN ISO 1043-1 PA6 GFR 30

CAM: Steel

FINISH

Chrome

KEY ROTATION ANGLE



STOCK CODE	CC	CH	CL	LH:9.5 H
30403487Y	27	0	16	11
31403040Y	28	1	33	12
31403032Y	23	1	38	12
30403469Y	24	5	38	16
31403041Y	29	6	30	17

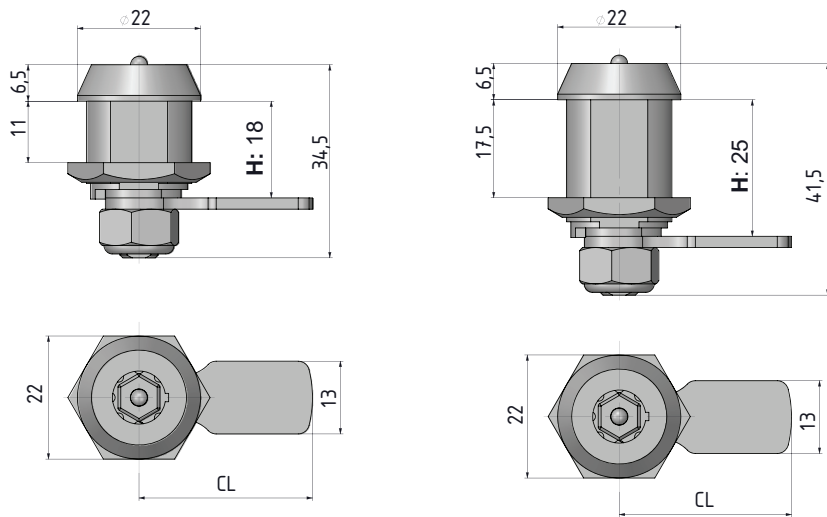
Hook cam (CC:29)

	CYLINDER	DD
	Keyed alike (Stainless steel dust cap)	03
	Keyed differ (Stainless steel dust cap)	32

Group Code	Cylinder	Cam
257	DD	CC

056

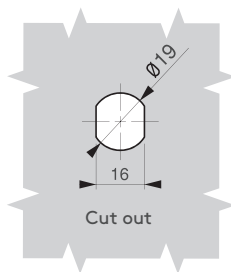
CAM LOCK




- High-security lock
- Unique key combination available
- Two different housing lengths (18 mm and 25 mm)
- For different cam alternatives contact Essentra

MATERIAL

HOUSING: Brass
 CAM: Steel
 NUT: Brass



CYLINDER		DD
	Keyed alike	01
	Keyed differ	02

Group Code	Grip	Cylinder
056	H	DD

 For cams please check page: 175 (Cam-1)



274



274



275



275



276



276



277



277



278



279



280



281



282



283



284



285



FURNITURE & STEEL CUPBOARD LOCKS

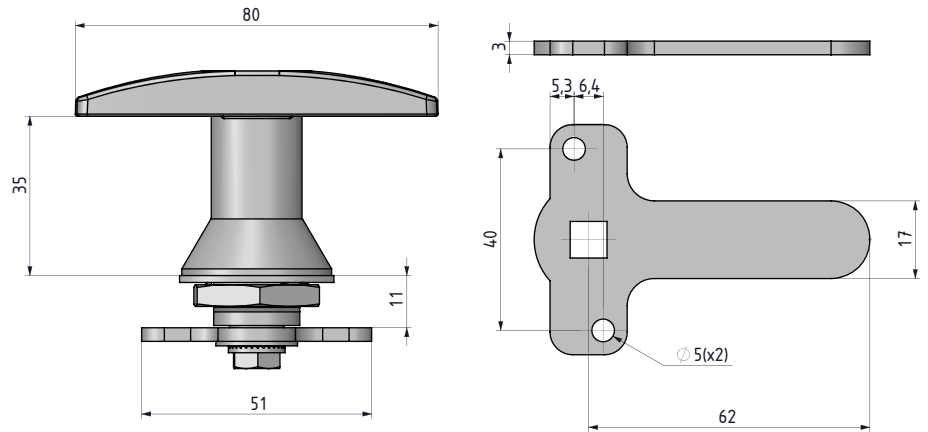
272-285



STEEL CUPBOARD LOCKS

CAM LOCK - T HANDLE

010

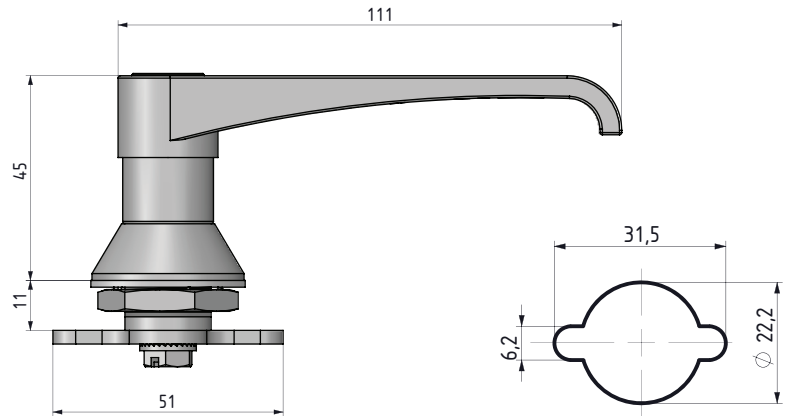


MATERIAL

HOUSING: Zamak DIN-EN 1774-ZnAl4Cu1
 HANDLE: Zamak DIN-EN 1774-ZnAl4Cu1
 CAM: Steel

CAM LOCK - L HANDLE


011



Cut Out

MATERIAL

HOUSING: Zamak DIN-EN 1774-ZnAl4Cu1
 HANDLE: Zamak DIN-EN 1774-ZnAl4Cu1
 CAM: Steel

CYLINDER	SPECIFICATIONS	DD
	No cylinder	00
	Keyed alike	01
	Keyed differ	02
	Euro key (5333)	05
	CH751 (Stainless steel dust cap)	07

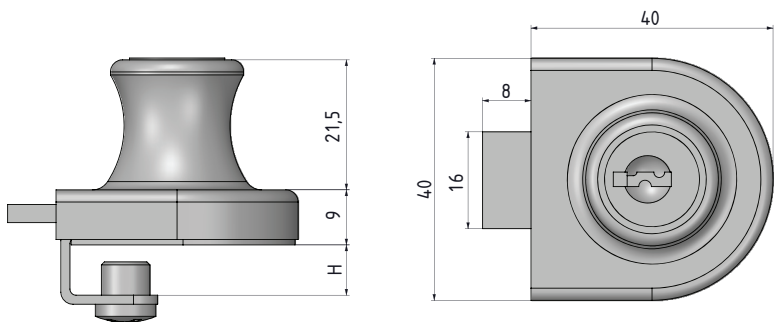
MATERIAL	M	FINISH		DOOR DIRECTION	
		F			
Zamak	1	Chrome plated	1	Right hand	001 
		Black coated	2	Left hand	 002

Group Code	Material	Finish	Cylinder	Door Direction
	1	F	DD	



021

GLASS-DOOR LOCK



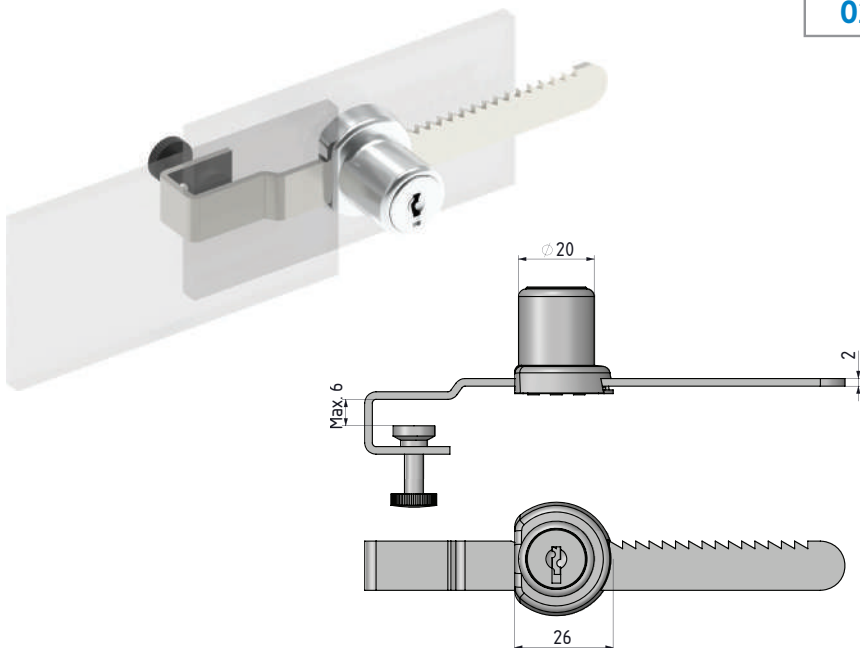
H: Glass Thickness
min : 4 mm
max: 7 mm



MATERIAL
BODY: Zamak DIN-EN 1774-ZnAl4Cu1
FINISH
Chrome plated

020

SLIDING-GLASS DOOR LOCK



MATERIAL
BODY: Zamak DIN-EN 1774-ZnAl4Cu1
SLIDE: Stainless steel (AISI 304)
FINISH
Chrome plated

CYLINDER	SPECIFICATIONS	DD
	Keyed alike	01
	Keyed differ	02

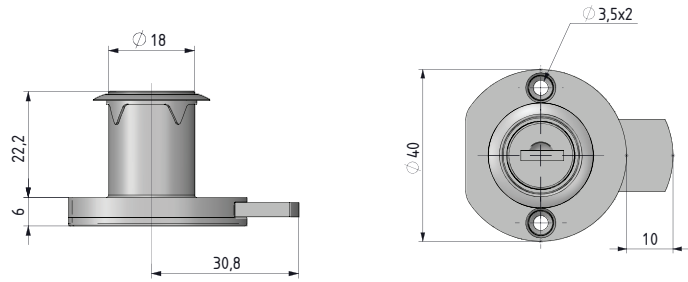
Group Code	Cylinder
	DD

FURNITURE LOCKS

FURNITURE LOCK

132

NEW



Cut Out



MATERIAL

BODY: Zamak DIN-EN

1774-ZnAl4Cu1

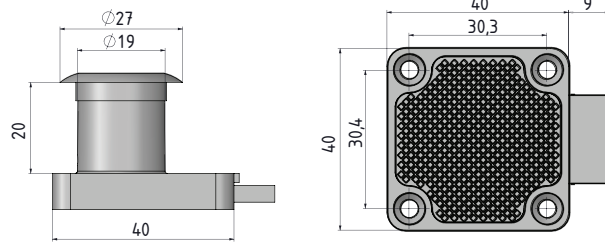
CAM: Steel

FINISH

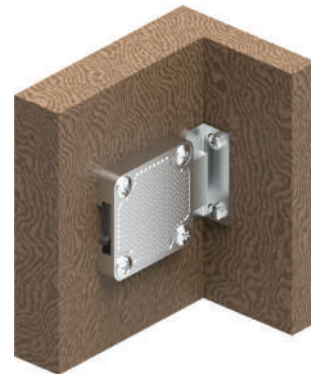
Chrome plated

FURNITURE LOCK

032



Cut Out



MATERIAL


BODY: Zamak DIN-EN

1774-ZnAl4Cu1

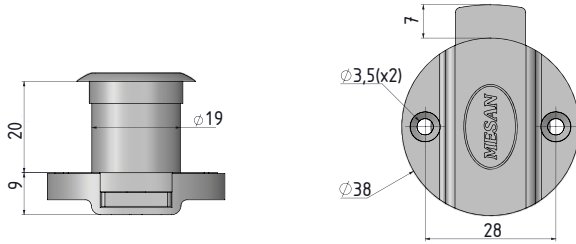
CAM: Steel

FINISH

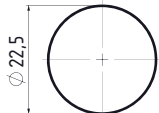
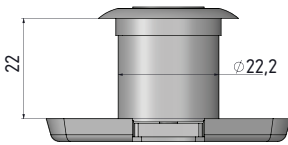
Chrome plated

CYLINDER	SPECIFICATIONS	DD
	Keyed alike	01
	Keyed differ	02

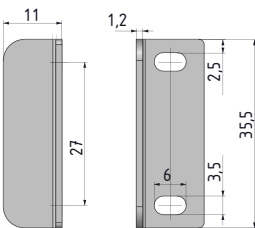
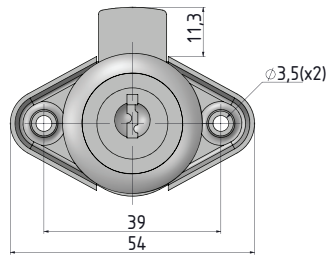
Group Code	Cylinder
	DD



Cut Out



Cut Out



033

FURNITURE LOCK



MATERIAL

BODY: Polyamide DIN-EN
ISO 10431 Pa6 GFR 30
CAM: Steel

030

FURNITURE LOCK



MATERIAL

BODY: Zamak DIN-EN
1774-ZnAl4Cu1
CAM: Steel

FINISH

Chrome plated

030 A1

STRIKING PLATE




MATERIAL

BODY: Zamak DIN-EN
1774-ZnAl4Cu1

FINISH

Nickel plated

CYLINDER	SPECIFICATIONS	DD
	Keyed alike	01
	Keyed differ	02

Group Code	Cylinder
	DD

FURNITURE LOCKS

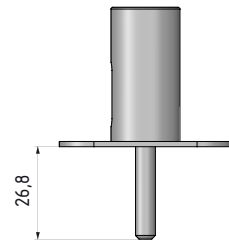
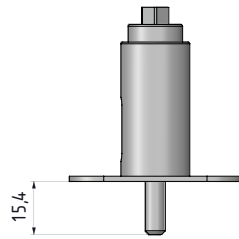
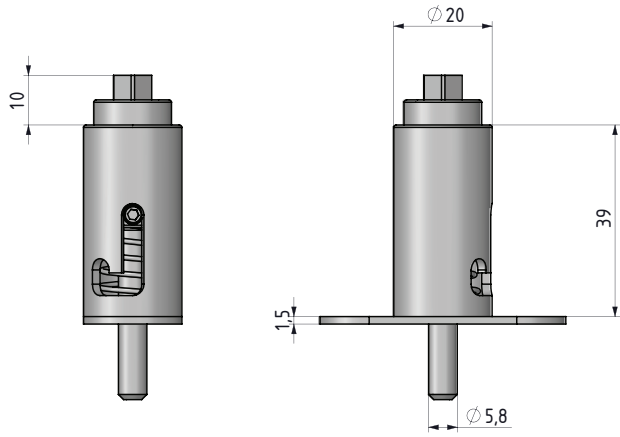
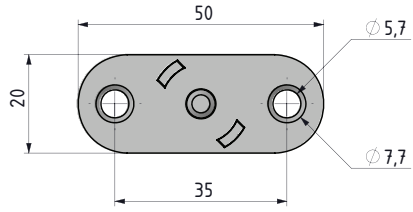
SLIDING-DOOR LOCK

159

NEW



MATERIAL
 BODY: Stainless Steel
 DRIVER: Stainless Steel



Unlocked position

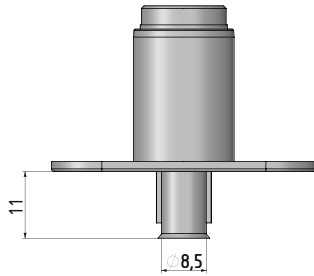
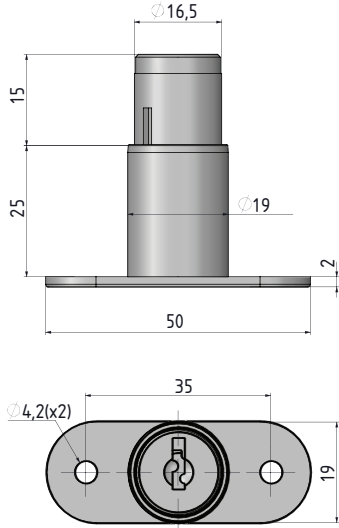


Locked position

Group Code	Material	Finish
159	4	0

059

SLIDING-DOOR LOCK



- Suitable for horizontal refrigerators
- Key alike and key differ available

MATERIAL

BODY: Zamak DIN-EN 1774-ZnAl4Cu1

CYLINDER: Zamak DIN-EN 1774-ZnAl4Cu1

FINISH


Chrome plated



Unlocked position



Locked position

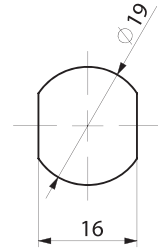
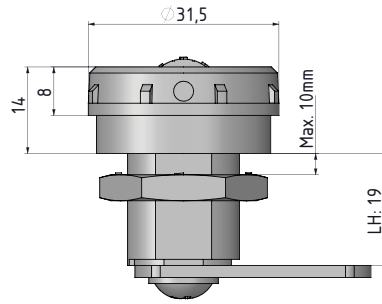
CYLINDER	SPECIFICATIONS	DD
	Keyed alike	01
	Keyed differ	02

Group Code	Cylinder
059	DD

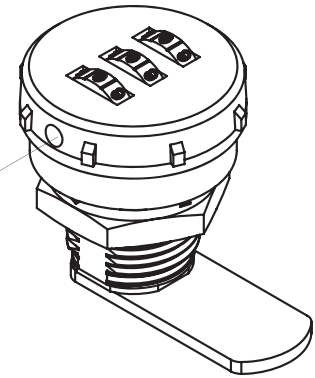
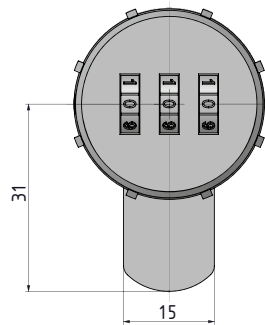
FURNITURE LOCKS

COMBINATION LOCK

4150



Cut Out



Button for changing the code

MATERIAL

BODY: Zamak DIN-EN
1774-ZnAl4Cu1

CAM: Steel

FINISH

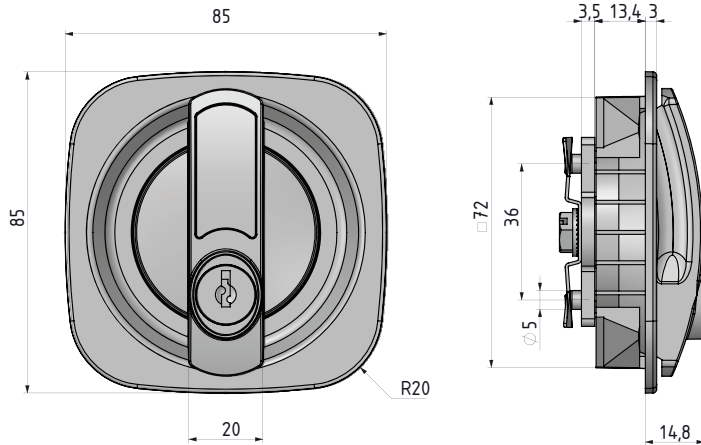
Chrome plated





035

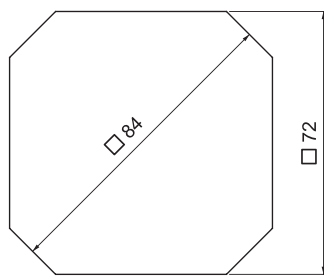
STEEL CUPBOARD LOCK



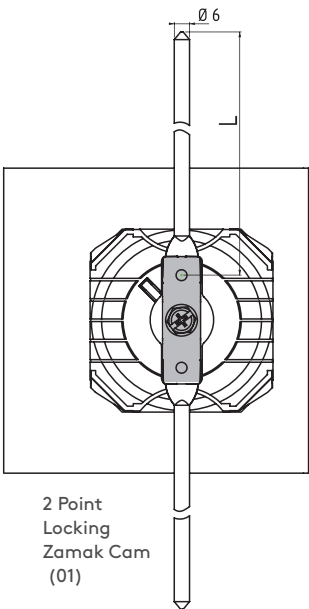
- Suitable for steel cupboards
- Easy rod assembly with special fixing plate
- Easy assembly with clips on body
- Two- or three-point locking optional

MATERIAL

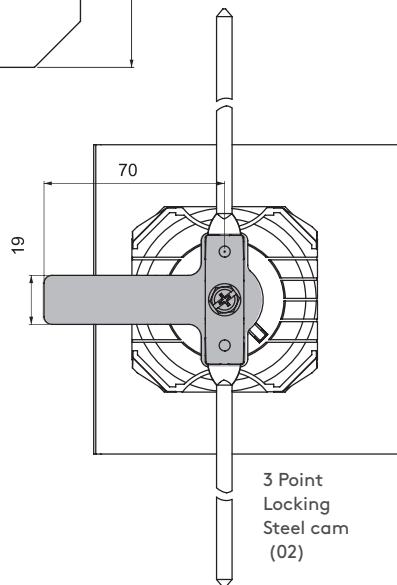
BODY: Polyamide DIN-EN ISO 1043-1 Pa6 GFR 30
KNOB: Zamak DIN-EN 1774-ZnAl4Cu1w



Cut Out



2 Point Locking Zamak Cam (01)



3 Point Locking Steel Cam (02)

01


Zamak cam



02

Steel cam



CYLINDER	SPECIFICATIONS	DD
	Keyed alike	01
	Keyed differ	02
	Master system	04

MATERIAL	M	FINISH	F
Zamak	1	Chrome	1
		Black coated	2
		Gray coated	3
Plastic	2	No finish	0

Group Code	Handle	Body	Cylinder	Cam
035	2	0	1	F DD CC

STEEL CUPBOARD LOCKS

STEEL CUPBOARD LOCK

058



- Primarily for central locking applications
- Clip fixing

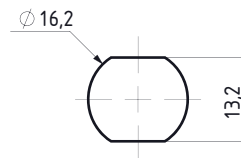
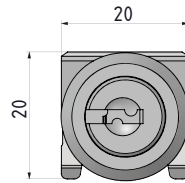
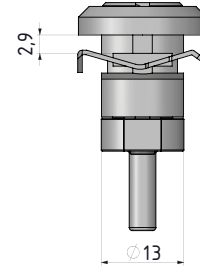
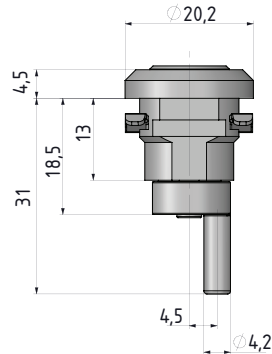
MATERIAL

BODY: Zamak DIN-EN 1774-ZnAl4Cu1


CYLINDER: Zamak DIN-EN 1774-ZnAl4C1

FINISH

Chrome plated



Cut Out

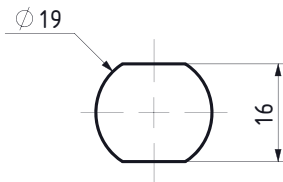
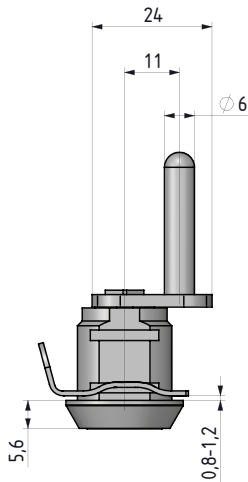
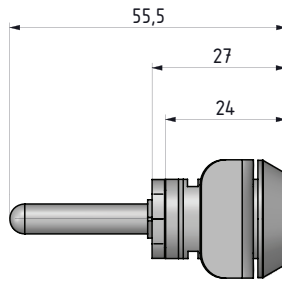
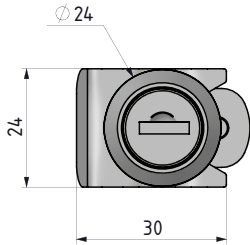
CYLINDER	SPECIFICATIONS	DD
	Keyed alike	01
	Keyed differ	02

Group Code	Cylinder
058	DD

158

STEEL CUPBOARD LOCK

NEW



Cut Out

- Primarily for central locking applications
- Clip fixing


MATERIAL

BODY: Zamak DIN-EN 1774-ZnAl4Cu1

CYLINDER: Zamak DIN-EN 1774-ZnAl4Cu1

FINISH

Chrome plated

CYLINDER	SPECIFICATIONS	DD
	Keyed alike (Stainless steel dust cap)	01
	Keyed differ (Stainless steel dust cap)	02

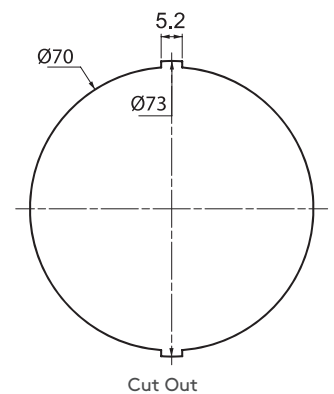
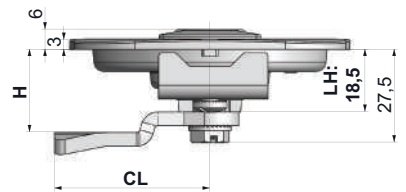
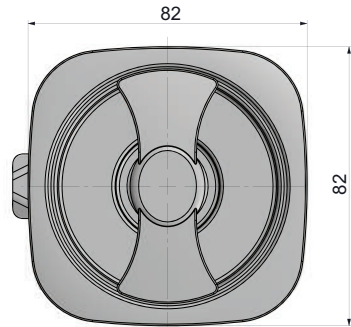
Group Code	Cylinder
158	DD

STEEL CUPBOARD LOCKS

FIRE HOSE CABINET LOCK

013

V:1

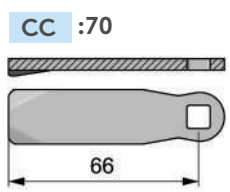
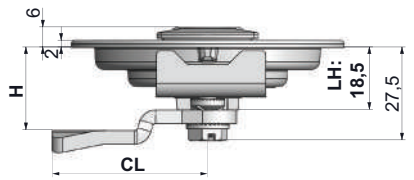
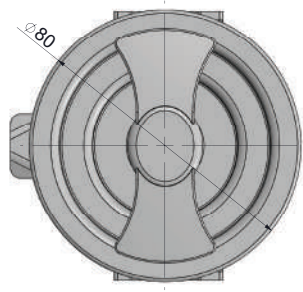


- Designed for fire-hose cabinets
- Special fixing-plate supplied for easy fixing
- Flush design provides flat surface on cabinet
- Customized colours available

MATERIAL

BODY: Zamak DIN-EN 1774-ZnAl4Cu1
 KNOB: Zamak DIN-EN 1774-ZnAl4Cu1
 CAM: Steel
 FIXING PLATE: Steel

V:2



MATERIAL	M	FINISH	F
Zamak	1	Chrome	1
		Black coated	2

Group Code	Version	Body	Handle	Cam
013	V	1	F 1 F	CC

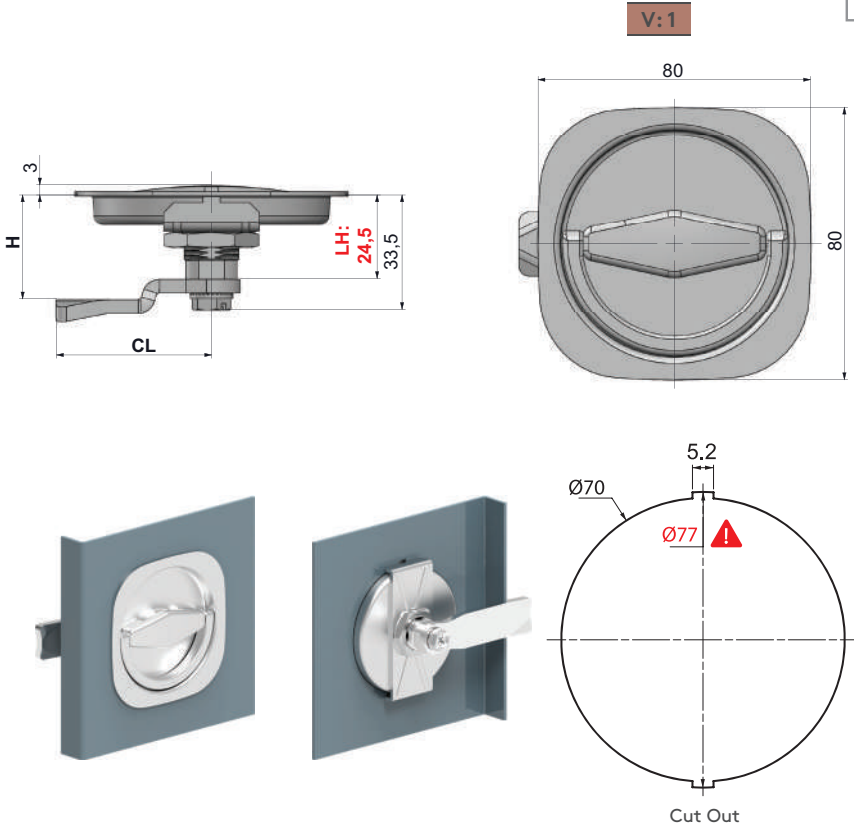
For cams please check pages: 172 - 173



113

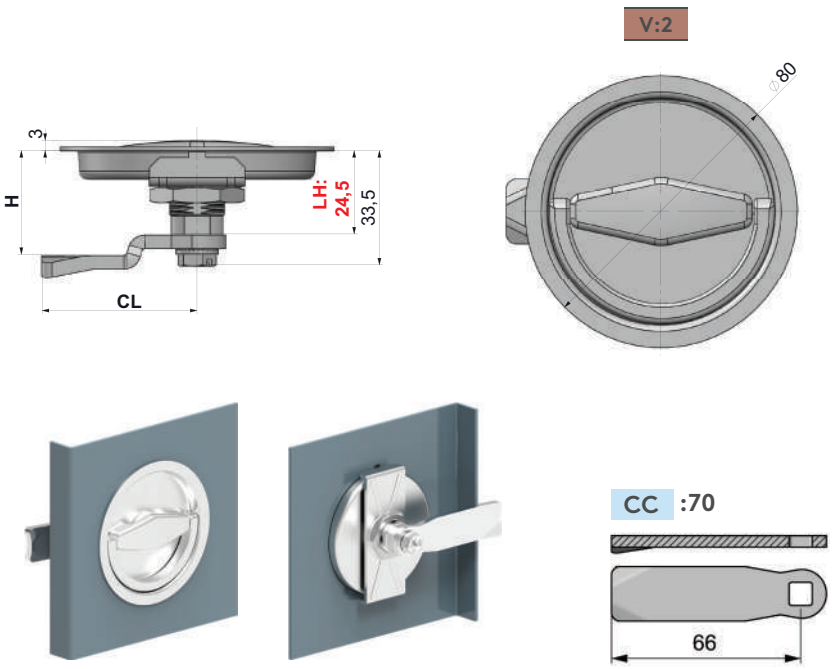
FIRE-HOSE CABINET LOCK

NEW



- Designed for fire-hose cabinet
- Special fixing plate supplied for easy fixing
- Flush design provides flat surface on cabinet
- Customized colours available

MATERIAL
 BODY: Steel
 KNOB: Zamak DIN-EN 1774-ZnAl4Cu1
 CAM: Steel
 FIXING PLATE: Steel



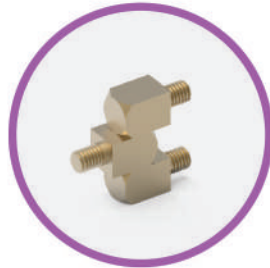
MATERIAL	M	FINISH	F
Steel	6	Chrome	1
		Black coated	2

Group Code	Version	Body	Handle	Cam
113	V	6	F 1 F	CC

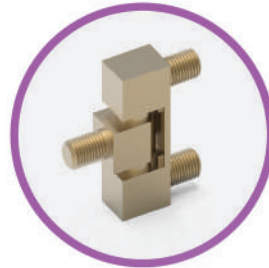
For cams please check pages: 172 - 173



288



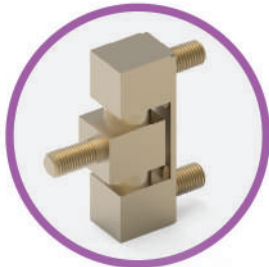
288



288



289



289



289



290



291



292



293



294



295



296



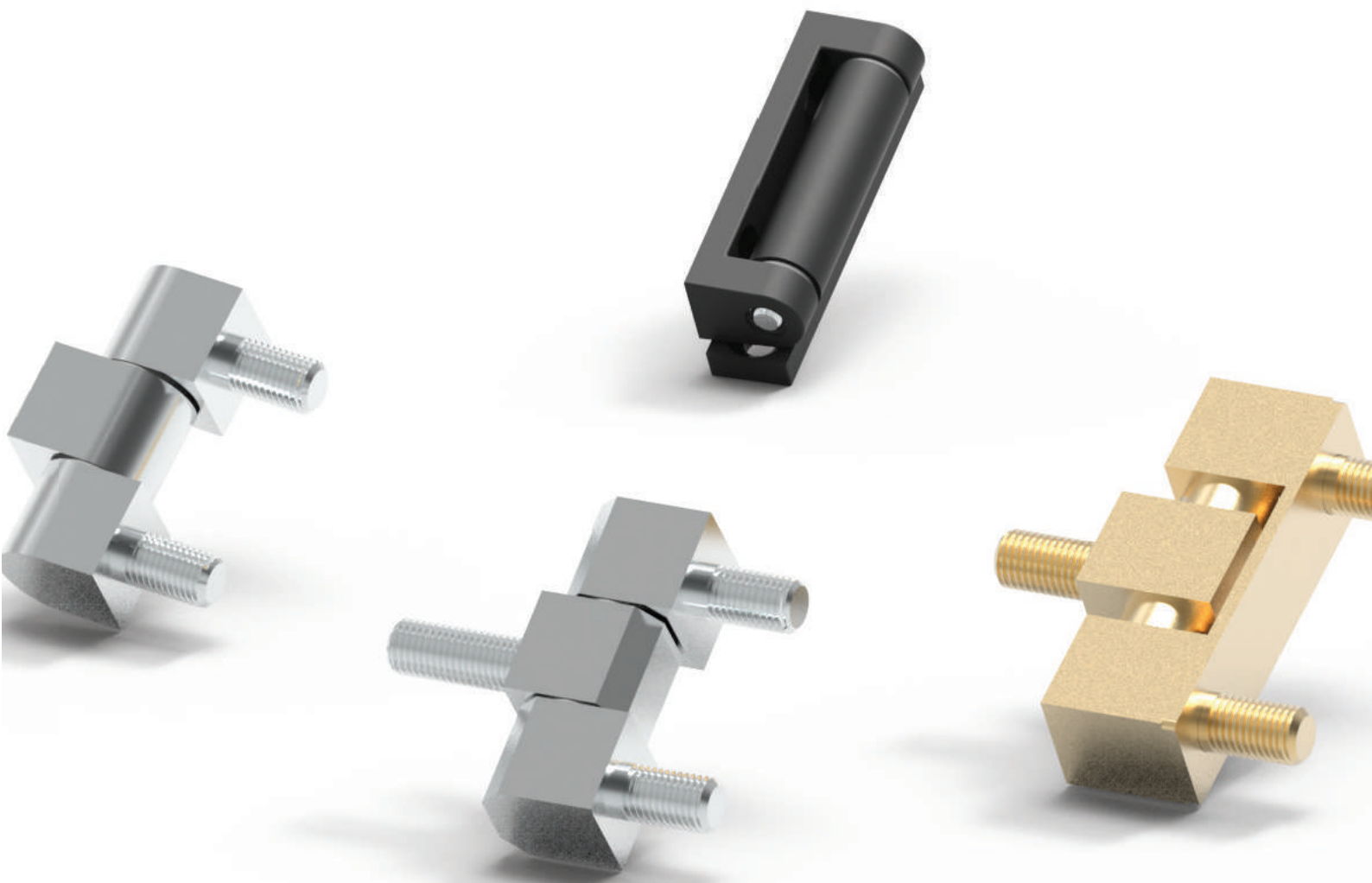
297



298



299



SIDE HINGES

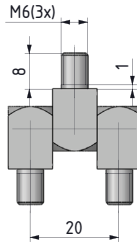
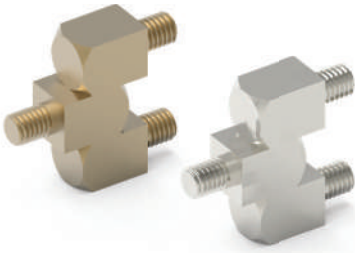
286-299



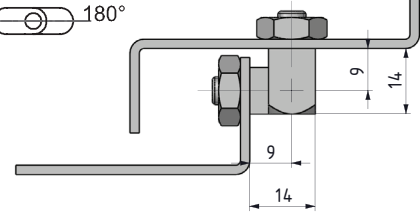
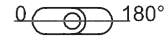
SIDE HINGES

SIDE HINGE (10 mm)

090



Hinge Rotation Angle



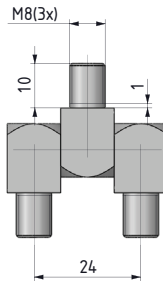
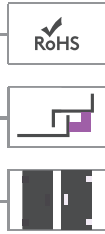
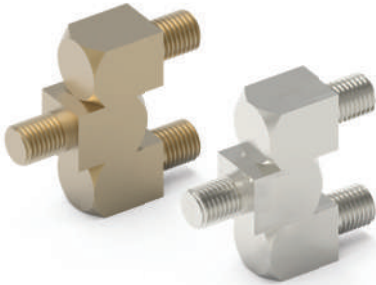
- Stainless steel version: Page 512
- Side-mounted hinge
- Hinge supplied in a unassembled state. For different dimensions contact Essentra

Group Code	Material	Finish
090	3	F

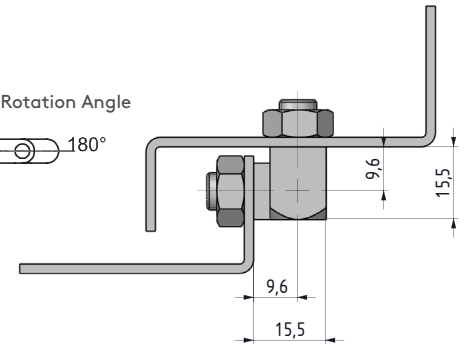
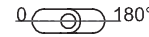
MATERIAL	M	FINISH	F
Brass	3	No finish	0
		Nickel plated	4

SIDE HINGE (12 mm)

091



Hinge Rotation Angle



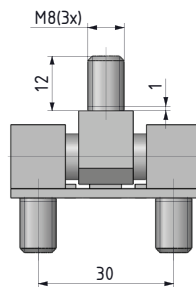
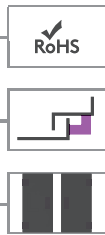
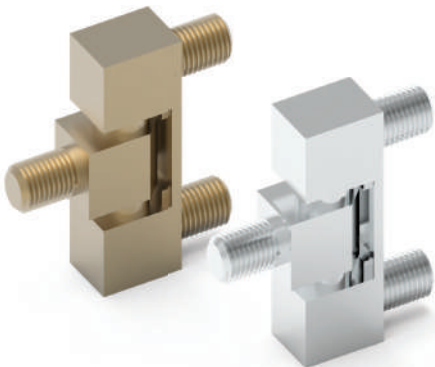
- Side-mounted hinge
- Hinge supplied in a unassembled state. For different dimensions contact Essentra Components

Group Code	Material	Finish
091	3	F

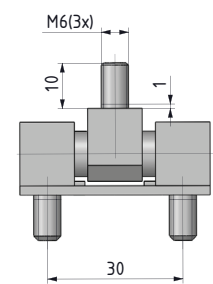
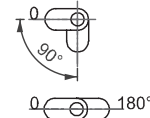
MATERIAL	M	FINISH	F
Brass	3	No finish	0
		Nickel plated	4

SIDE HINGE (12 mm)

092

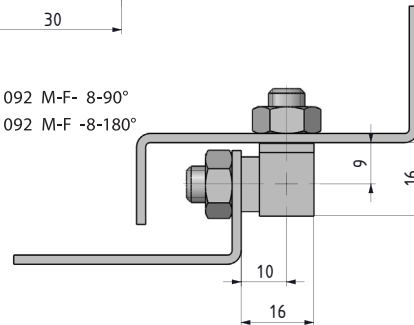


Hinge Rotation Angle



M8 → 092 M-F- 8-90°
092 M-F -8-180°

M6 → 092 M-F- 6-90°
092 M-F- 6-180°



- Stainless steel version: Page 512
- Side-mounted hinge
- Brass 12 mm parts and bearings
- Parts are assembled by fixing plate. For different dimensions contact Essentra Components
- 90° and 180° angle versions are available

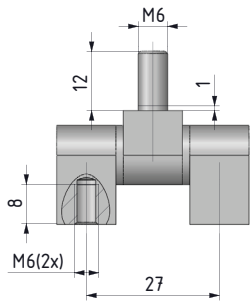
Group Code	Material	Finish
092	3	F

MATERIAL	M	FINISH	F
Brass	3	No finish	0
		Chrome plated	1

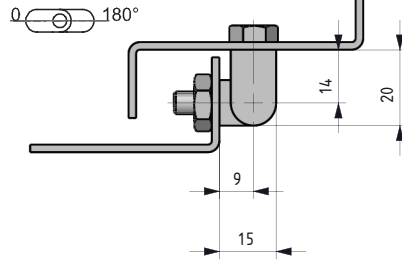


192

SIDE HINGE (12 mm)



Hinge Rotation Angle



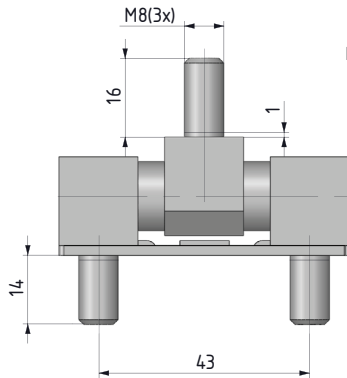
Group Code	Material	Finish
192	3	F

MATERIAL	M	FINISH	F
Brass	3	Chrome plated	1

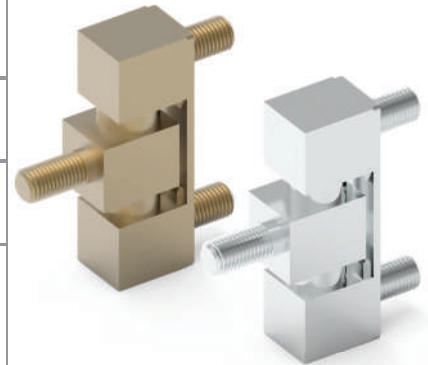
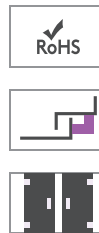
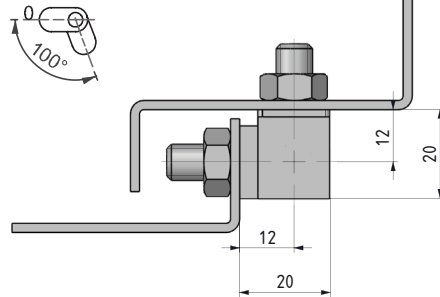
- Stainless steel version: Page 513
- Side-mounted hinge
- Brass 12 mm parts and bearings
- Parts tightly fitted

093

SIDE HINGE (16 mm)



Hinge Rotation Angle



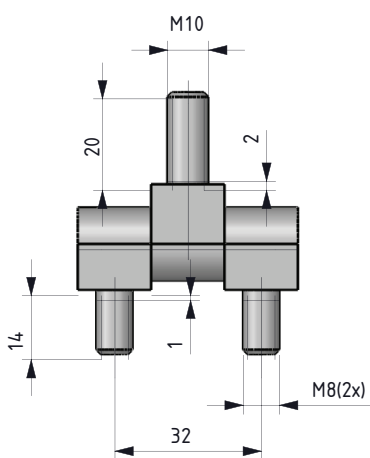
Group Code	Material	Finish
093	3	F

MATERIAL	M	FINISH	F
Brass	3	No finish	0
		Chrome plated	1

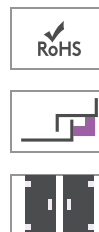
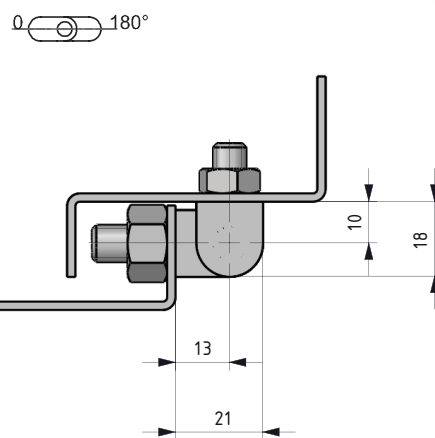
- Side-mounted hinge
- Brass 16 mm parts and bearings
- Parts assembled by fixing plate

193

SIDE HINGE (16 mm)



Hinge Rotation Angle



Group Code	Material	Finish
193	3	F

MATERIAL	M	FINISH	F
Brass	3	No finish	0
		Chrome plated	1

- Stainless steel version: Page 513
- Side-mounted hinge
- Brass 16 mm parts
- Parts tightly fitted

SIDE HINGES

SIDE HINGE

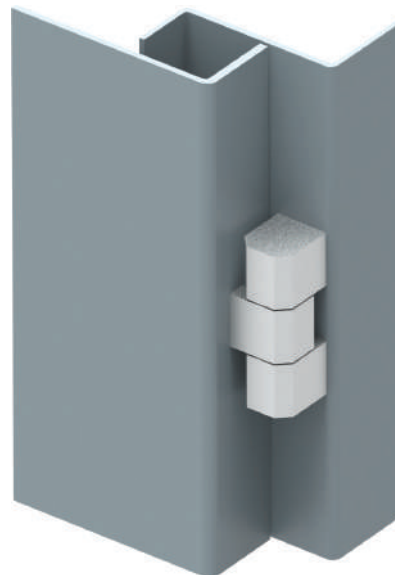
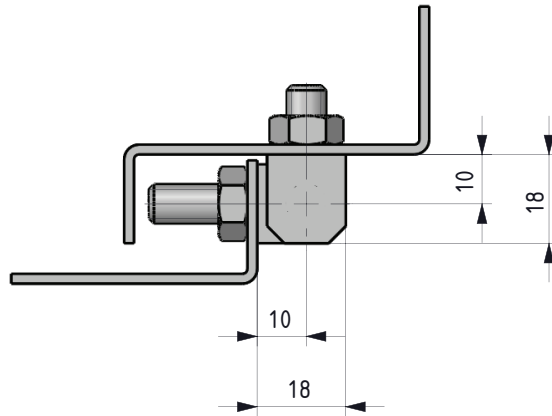
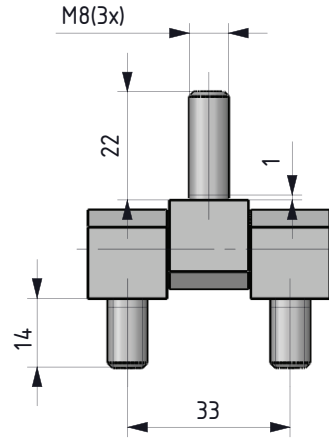
793



- For medium voltage and heavy door panels
- Hinge parts produced from steel

MATERIAL
Steel

FINISH
Zinc plated



⚠ Note: Nuts and washers are not supplied.

Hinge Rotation Angle



MATERIAL	M	FINISH	F
Steel	6	Zinc plated	3

Group Code	Material	Finish
793	6	3



893

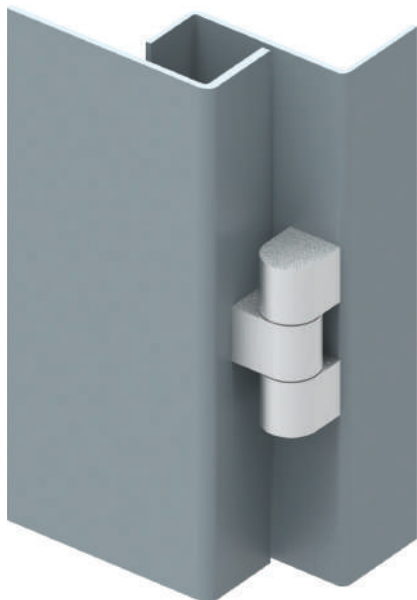
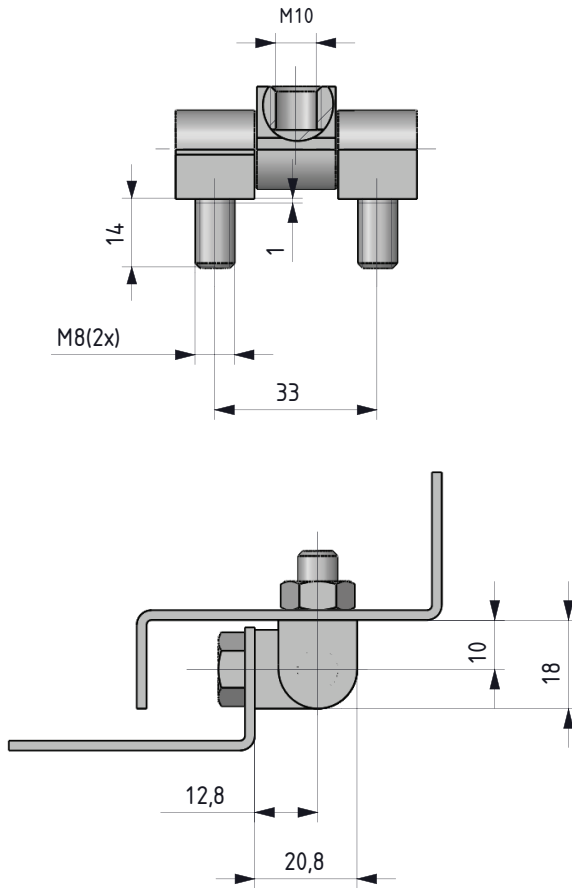
SIDE HINGE



- For medium voltage and heavy door panels
- Assembled using special screws (supplied)
- Hinge supplied in a unassembled state

MATERIAL
C45 Steel, hardened

FINISH
Zinc plated



⚠ Note: Nuts and washers are not supplied.

Hinge Rotation Angle



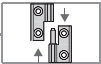
MATERIAL	M	FINISH	F
Steel	6	Zinc plated	3

Group Code	Material	Finish
893	6	3

SIDE HINGES

SIDE HINGE (10 mm)

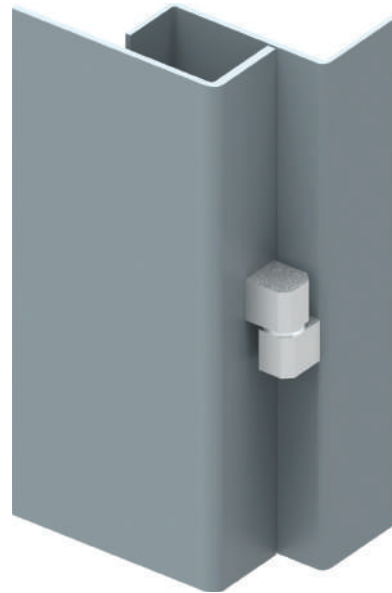
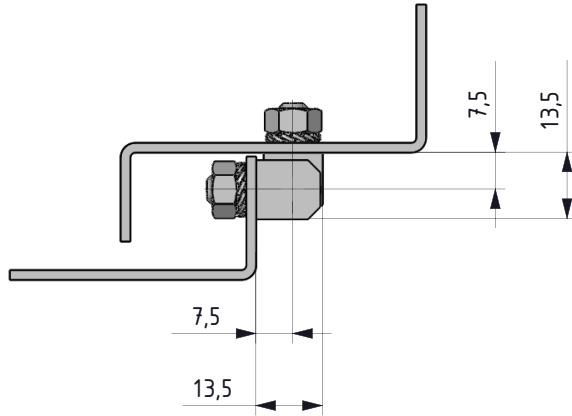
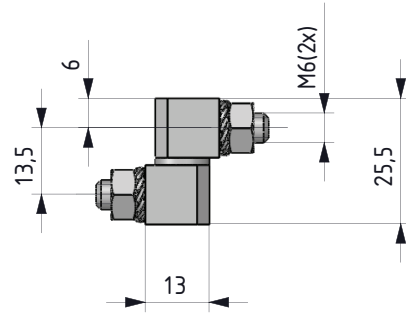
191



- Side-mounted hinge
- Steel 12 mm parts

MATERIAL
Steel

FINISH
Zinc plated



Hinge Rotation Angle



Note: Nuts and washers are supplied.

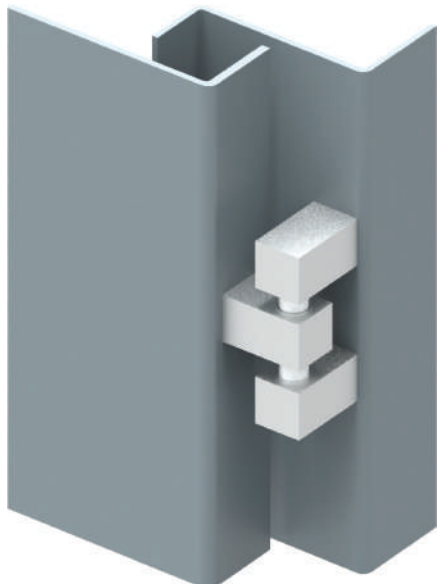
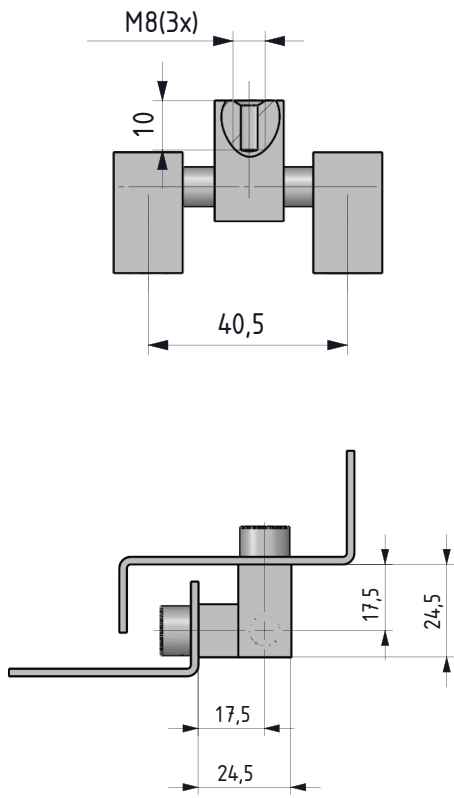
MATERIAL	M	FINISH	F
Steel	6	Zinc plated	3

Group Code	Material	Finish
191	6	3



1093

SIDE HINGE



- Side-mounted hinge
- Pin Length can be modified
- For different length contact
Essentra Components

MATERIAL
BODY: Brass
PIN: Steel

FINISH
Chrome Plated

MATERIAL	M	FINISH	F
Brass	3	Chrome plated	1

Group Code	Material	Finish
1093	3	1

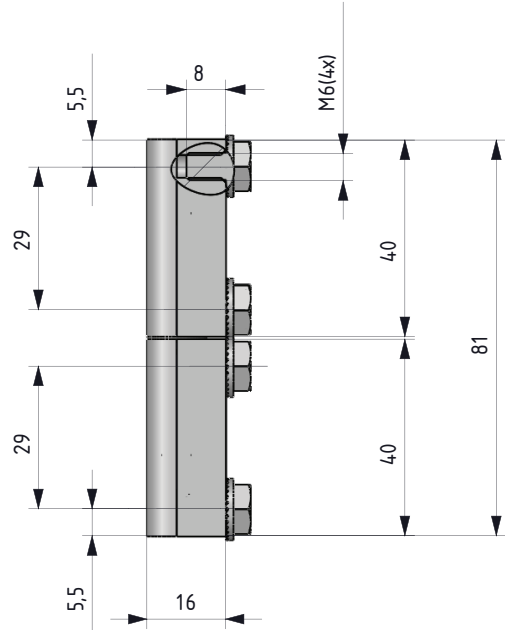
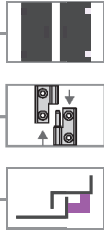
Hinge Rotation Angle



SIDE HINGES

SIDE HINGE

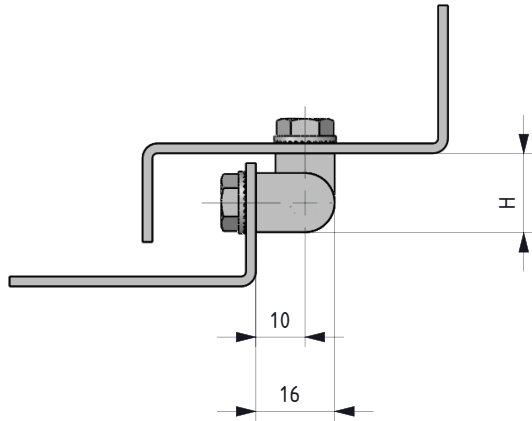
993



- Side-mounted hinge
- Brass 12 mm parts

MATERIAL
Brass

FINISH
Chrome plated



H
16
19
21



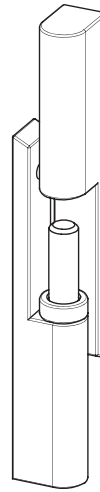
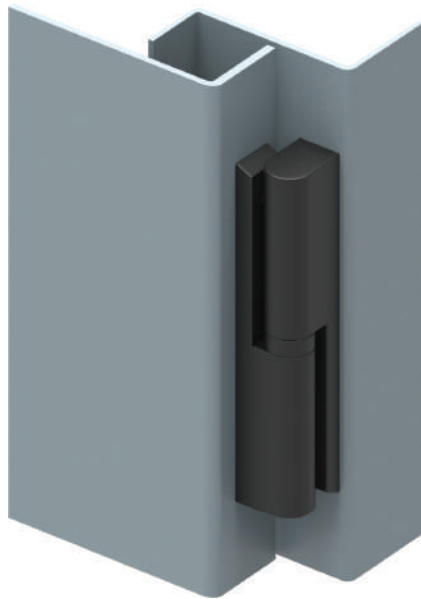
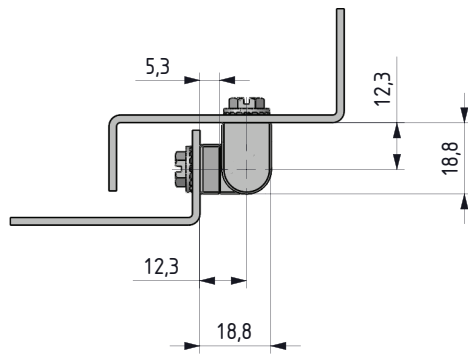
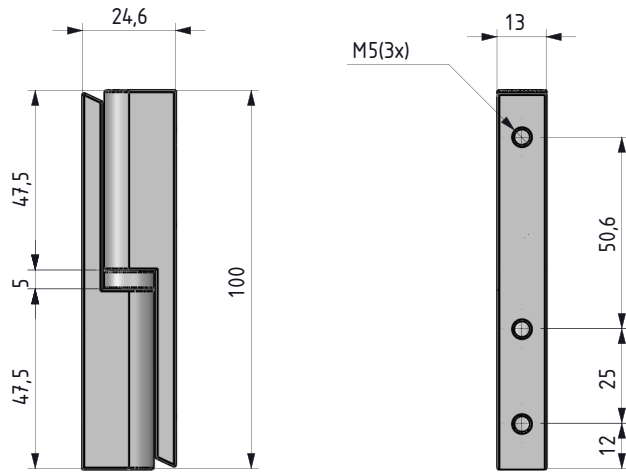
Note: Bolts are supplied

Hinge Rotation Angle



MATERIAL	M	FINISH	F
Brass	3	Chrome plated	1

Group Code	Material	Finish	Height
993	3	1	H



1193

SIDE HINGE



MATERIAL
 BODY: Steel
 PIN: Stainless Steel

FINISH
 Chrome or black coated

⚠ Note: Bolts are not supplied

MATERIAL	M	FINISH	F
Steel	6	No finish	0
		Chrome plated	1
		Black coated	2

Group Code	Material	Finish
1193	6	F

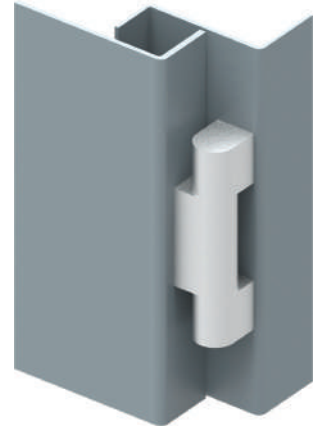
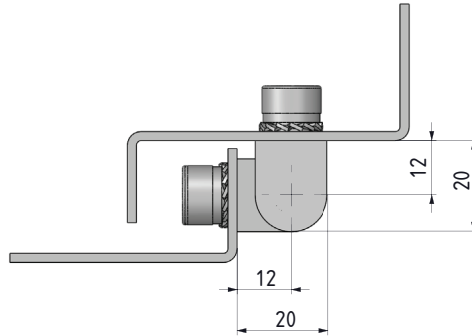
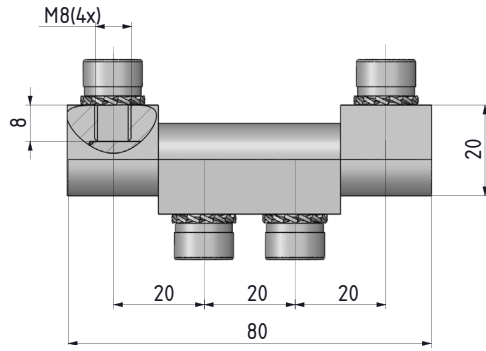
Hinge Rotation Angle



SIDE HINGES

SIDE HINGE

393

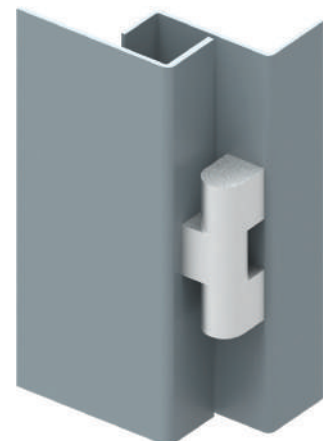
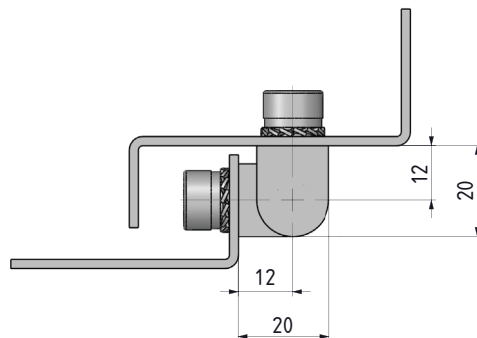
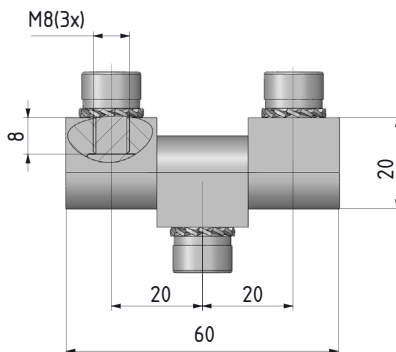


- For medium voltage and heavy door panels
- Chrome-plated brass
- Assembled using special screws (supplied)
- Parts supplied separately

MATERIAL
Brass: DIN 17672 CuZn39Pb3

SIDE HINGE

293



- For medium voltage and heavy door panels
- Chrome-plated brass
- Assembled using special screws (supplied)
- Parts supplied separately

MATERIAL
Brass: DIN 17672 CuZn39Pb3

Hinge Rotation Angle



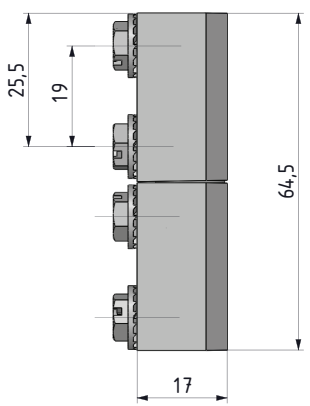
MATERIAL	M	FINISH	F
Brass	3	Chrome plated	1

Group Code	Material	Finish
	3	F



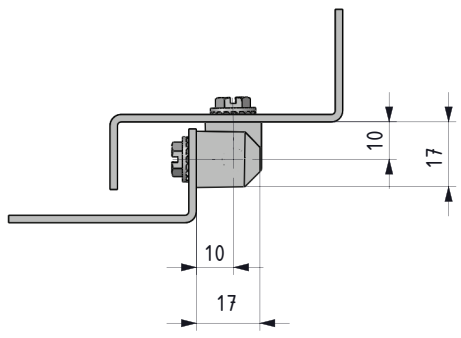
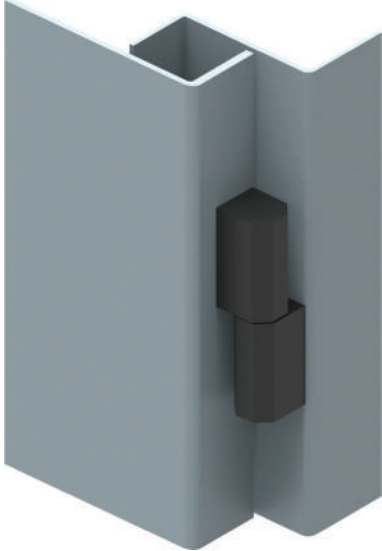
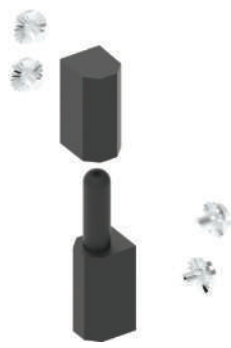
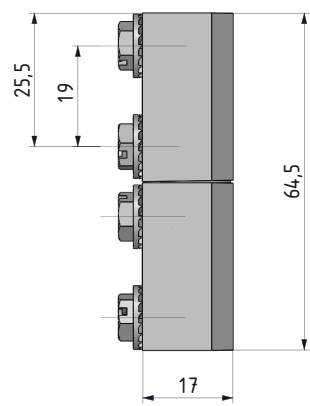
V:1

Fixed zamak pin



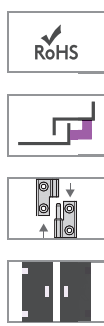
V:2

Stainless steel pin



493

SIDE HINGE



- Lift-off hinge
- Suitable for left- and right-hand applications
- Maximum hinge rotation 180°
- For heavy doors, version 2 is recommended due to its stainless steel properties

MATERIAL

Zamak DIN-EN 1774-ZnAl4Cu1
 PIN: V1: Zamak DIN-EN 1774-ZnAl4Cu1
 PIN: V2: Stainless Steel

MATERIAL	M	FINISH	F
Zamak	1	Chrome plated	1
		Black coated	2

Group Code	Material	Finish	Versiyon
493	1	F	V

Hinge Rotation Angle

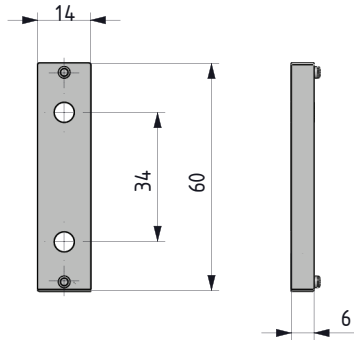
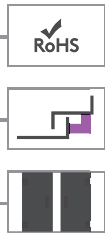


! Note: Bolts are supplied

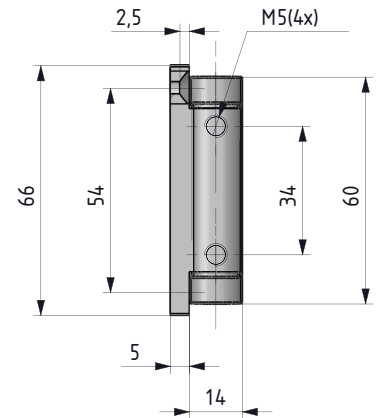
SIDE HINGES

SIDE HINGE

593

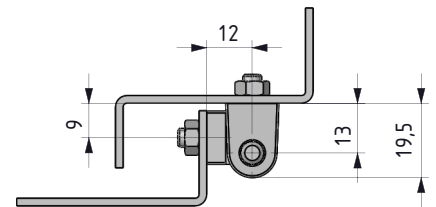
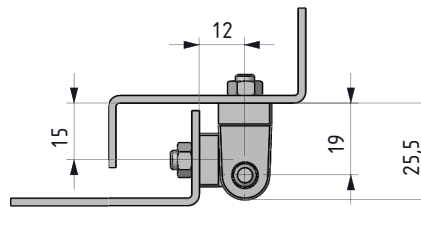


Adaptör



Standard version
593 1-F-19

Spacer version
593 1-F-25



- Spacer bar available for different dimensions
- Stainless steel hinge pin

MATERIAL
Zamak DIN-EN 1774-ZnAl4Cu1
PIN: Stainless Steel



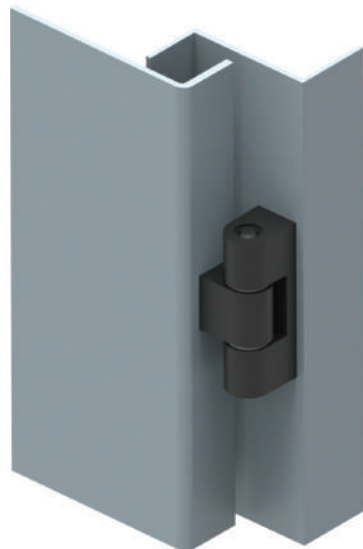
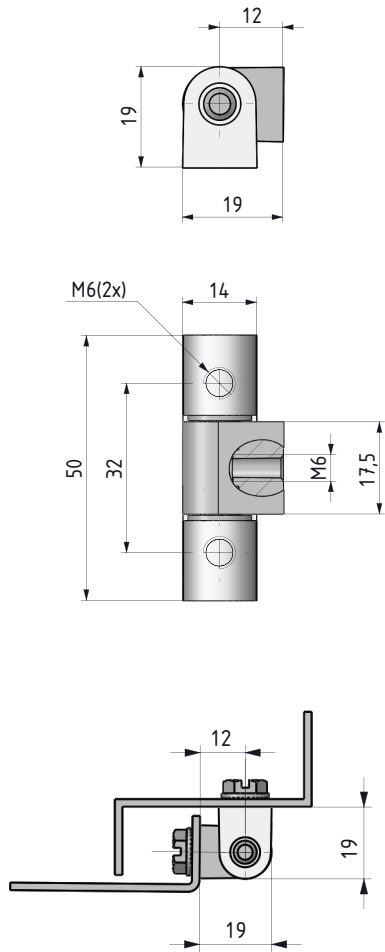
Hinge Rotation Angle



Note: Bolts are not supplied

MATERIAL	M	FINISH	F
Zamak	1	Chrome plated	1
		Black coated	2

Group Code	Material	Finish	Height
593	1	F	H



693

SIDE HINGE



- Side-mounted hinge
- Stainless steel hinge pin
- Supplied assembled

MATERIAL

Zamak DIN-EN 1774-ZnAl4Cu1
PIN: Stainless Steel

MATERIAL	M	FINISH	F
Zamak	1	Chrome plated	1
		Black coated	2

Group Code	Material	Finish
693	1	F

Hinge Rotation Angle

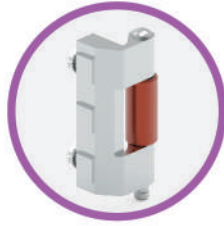




302



303



304



305



306



307



308-309



310-311



312-313



314-315



316-317



318-319



320



321



322



323



324



325



326



327



328



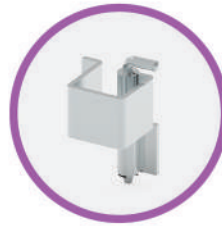
329-330



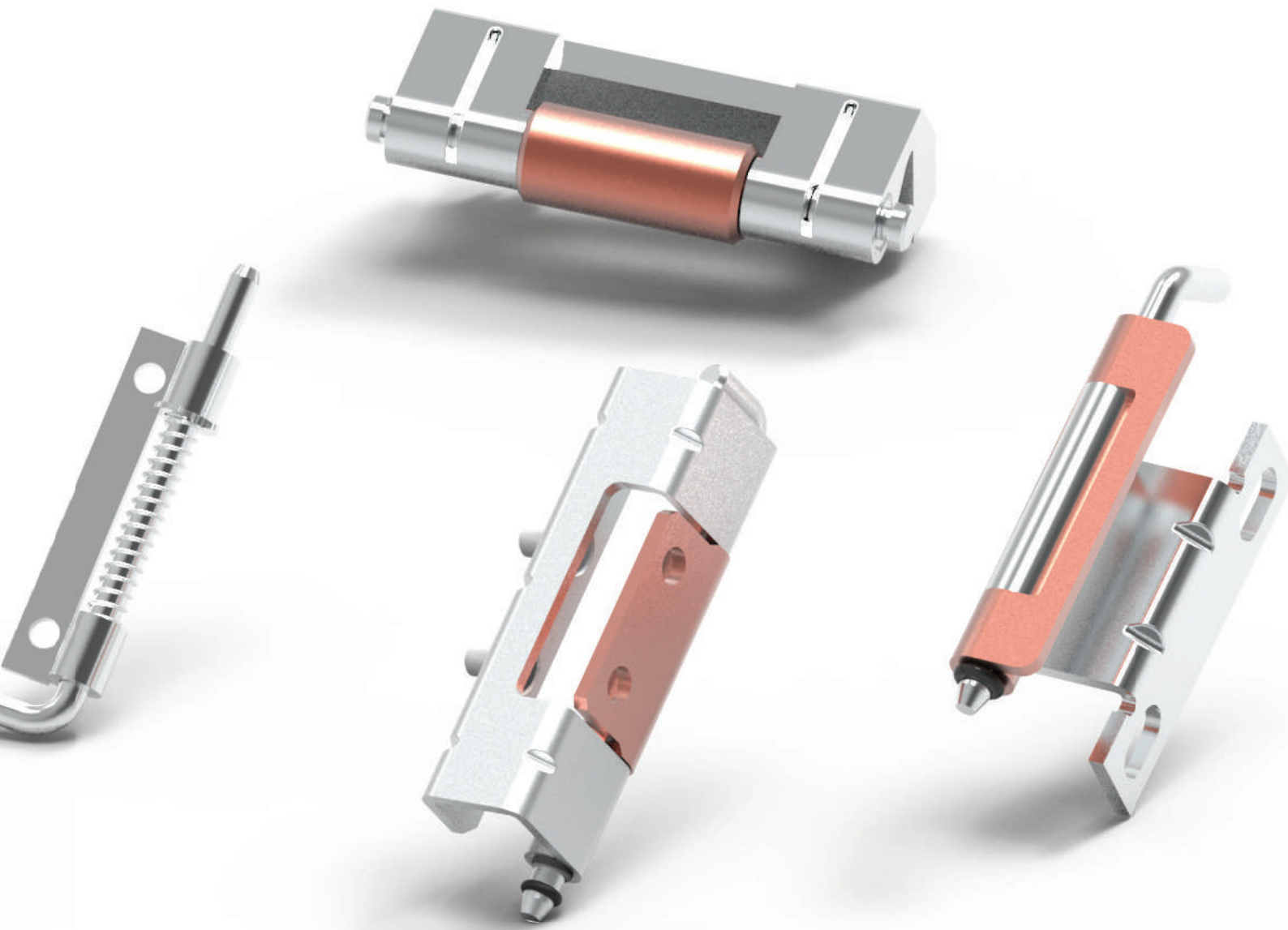
331



332



333



CONCEALED HINGES

300-333



CONCEALED HINGES

CONCEALED HINGE

094



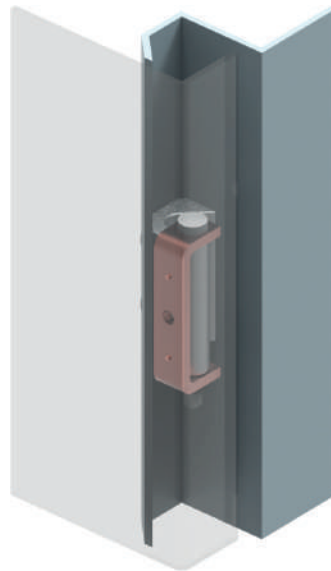
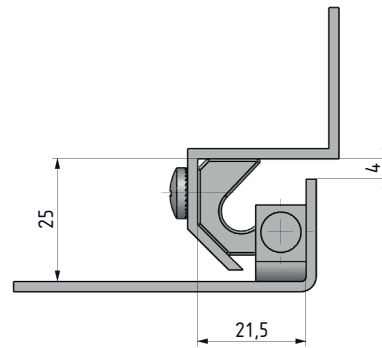
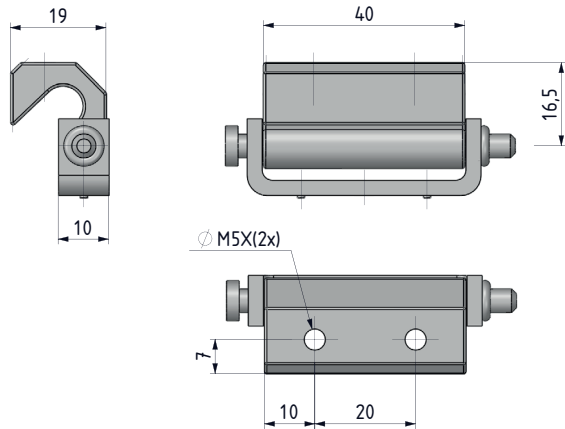
- For 25 mm folded doors
- Middle part copper plated for easy welding

MATERIAL

BODY: Zamak DIN-EN 1774-ZnAl4Cu1 or Aluminium
FIXED PART: Steel

FINISH

BODY: Zinc plated or no finish
FIXED PART: Copper plated



Hinge Rotation Angle



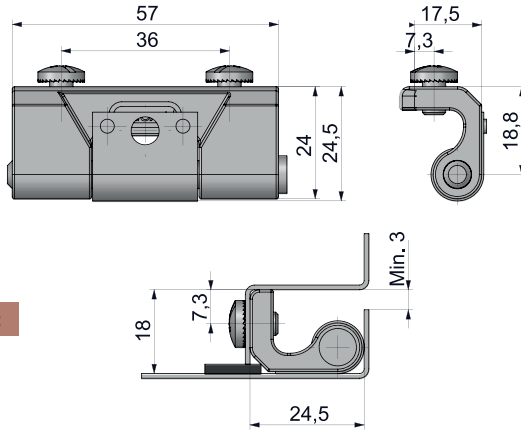
Note: Bolts are supplied

MATERIAL	M	FINISH	F
Zamak	1	Zinc plated	3
		No finish	0
Aluminium	5	Matte anodized	7

Group Code	Material	Finish
094	M	F



V: 2



194

CONCEALED HINGE



- For doors with a bend of between 18 mm and 27 mm
- Centre part copper plated for easy welding
- The centre part available in different versions

MATERIAL

BODY: Zamak DIN-EN 1774-ZnAl4Cu1

FIXED PART: Steel

FINISH

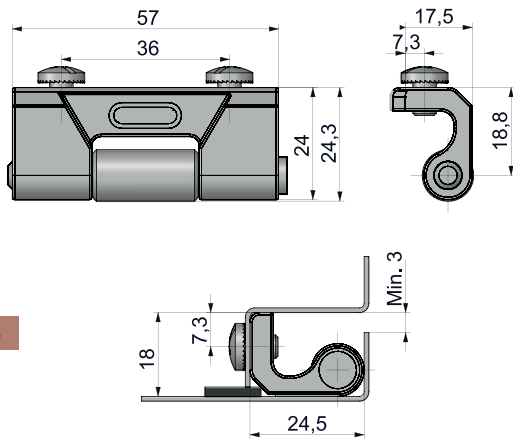
BODY: Zinc plated or no finish

FIXED PART: Copper plated

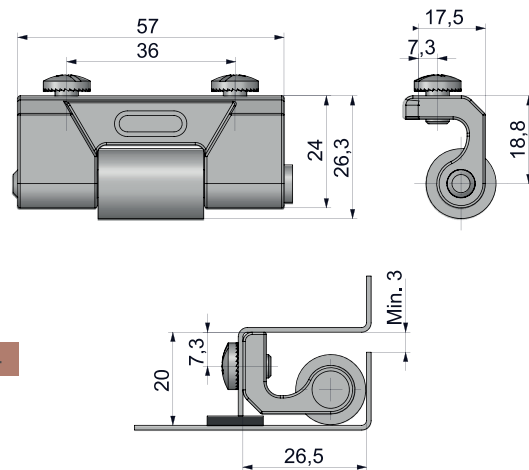
Note: Bolts are supplied



V: 3



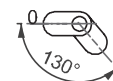
V: 4



MATERIAL	M	FINISH	F
Zamak	1	Zinc plated	3
		No finish	0

Group Code	Material	Finish	Version
194	1	F	V

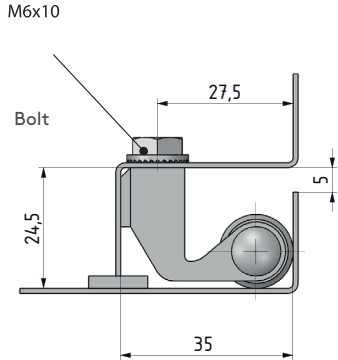
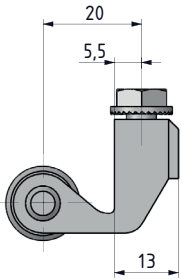
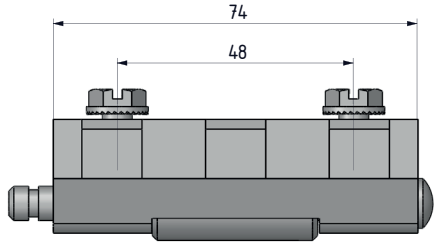
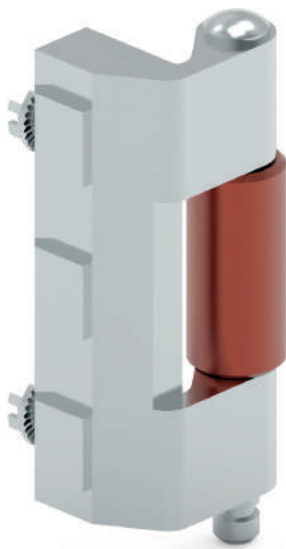
Hinge Rotation Angle



CONCEALED HINGES

CONCEALED HINGE

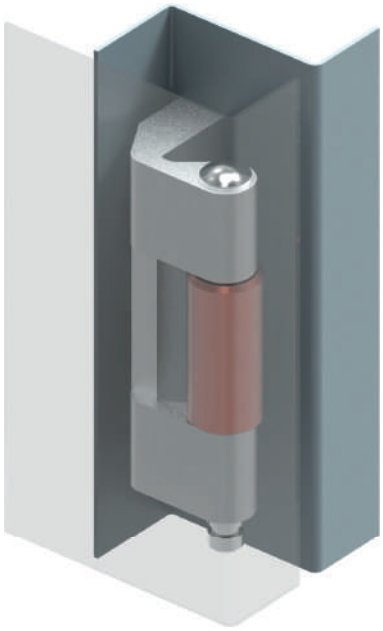
096



- For doors with a 24.5 mm bend
- Suitable for both panel and door-profile fixing

MATERIAL
 BODY: Zamak DIN-EN 1774-ZnAl4Cu1
 FIXED PART: Steel

FINISH
 BODY: Zinc plated or no finish
 FIXED PART: Copper plated



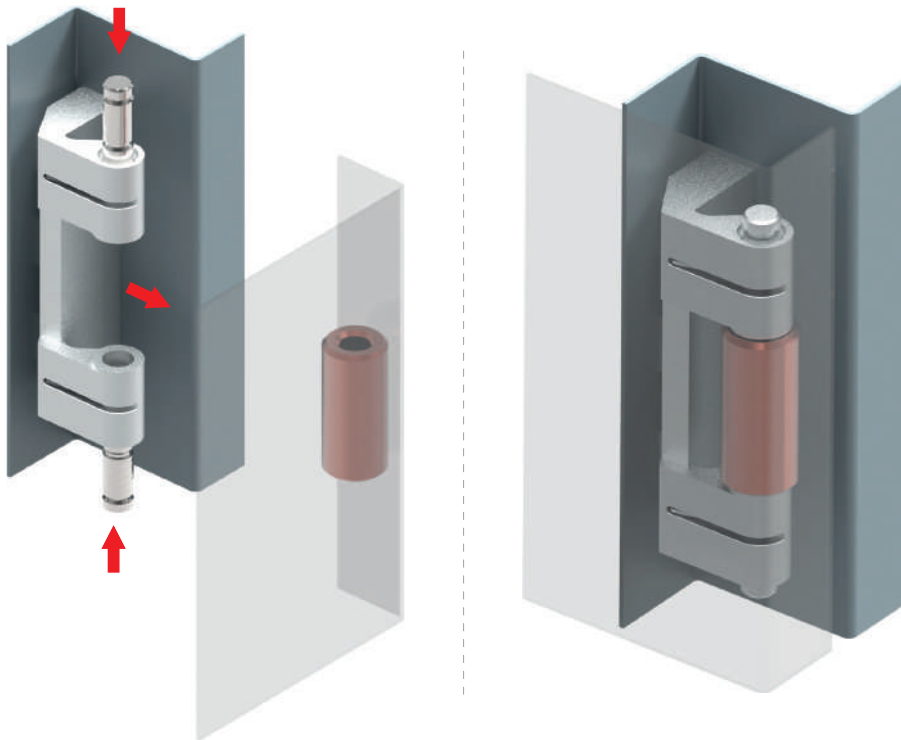
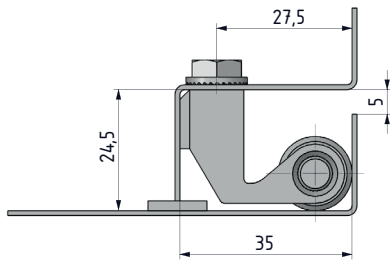
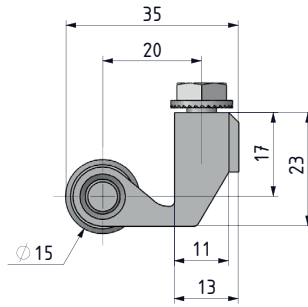
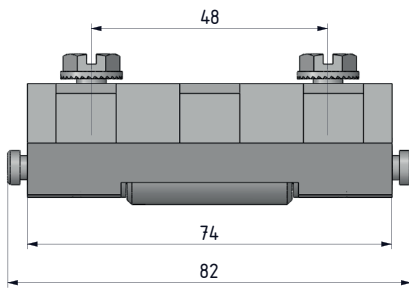
Hinge Rotation Angle



Note: Bolts are supplied

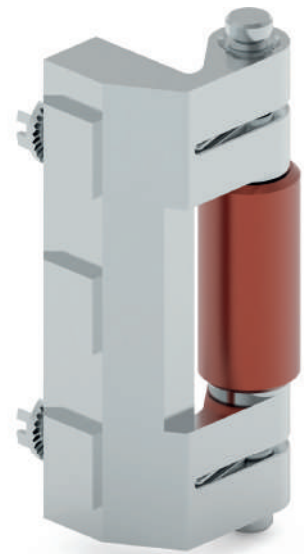
MATERIAL	M	FINISH	F
Zamak	1	Zinc plated	3
		No finish	0

Group Code	Material	Finish
096	1	F



096

CONCEALED HINGE



- Door can be taken out of frame without removing the pins
- Easy assembly
- Suitable for 24.5 mm door bend

MATERIAL

BODY: Zamak DIN-EN 1774-ZnAl4Cu1
 FIXED PART: Steel
 PIN: Stainless Steel

FINISH

BODY: Zinc plated or no finish
 FIXED PART: Copper plated

MATERIAL	M	FINISH	F
Zamak	1	Zinc plated	3
		No finish	0

Group Code	Material	Finish	Version
096	1	F	2

Hinge Rotation Angle

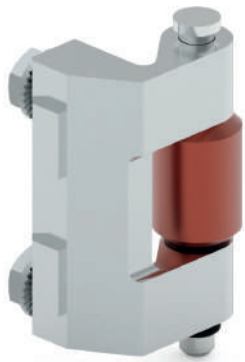


⚠ Note: Bolts are supplied

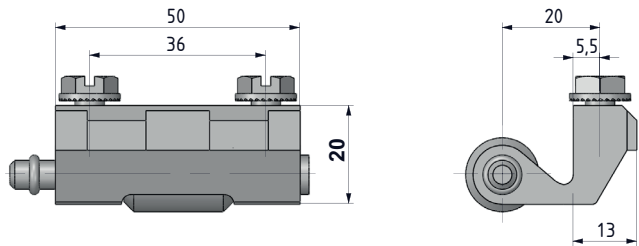
CONCEALED HINGES

CONCEALED HINGE

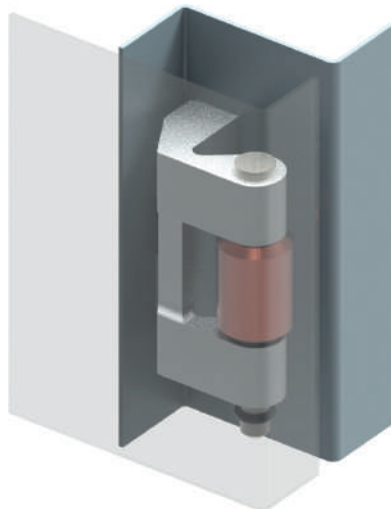
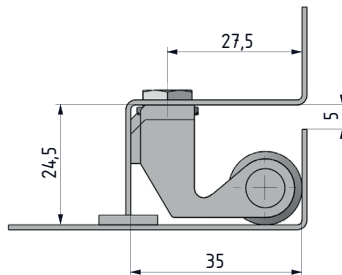
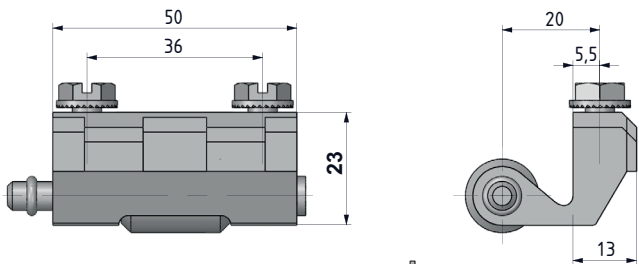
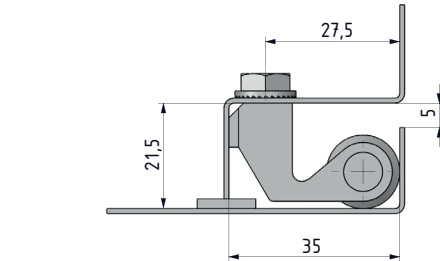
196



V: 20



V: 23



- For 21.5 mm to 24.5 mm bended doors
- Two sizes available
- Smaller alternative to 096 hinge

MATERIAL

BODY: Zamak DIN-EN 1774-ZnAl4Cu1
FIXED PART: Steel

FINISH

BODY: Zinc plated or no finish
WELDING PART: Copper plated

Hinge Rotation Angle



Note: Bolts are supplied

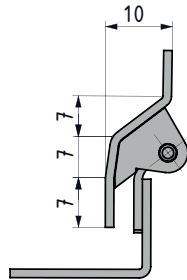
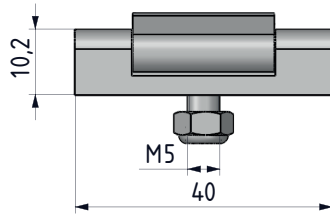
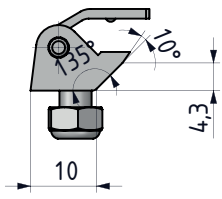
MATERIAL	M	FINISH	F
Zamak	1	Zinc plated	3
		No finish	0

Group Code	Material	Finish	Version
196	1	F	V



294

CONCEALED HINGE



- For small panels having a 10 mm internal bend
- Designed to maximize space
- Copper plated for easy welding

MATERIAL

BODY: Zamak DIN-EN 1774-ZnAl4Cu1

FIXED PART: Steel

PIN: Steel

FINISH

BODY: Zinc plated or no finish

FIXED PART: Copper plated

MATERIAL	M	FINISH	F
Zamak	1	Zinc plated	3
		No finish	0

Group Code	Material	Finish
294	1	F

Hinge Rotation Angle



Note: Bolts are not supplied

CONCEALED HINGES

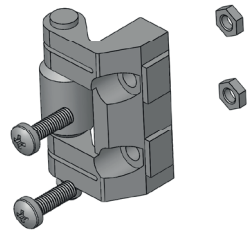
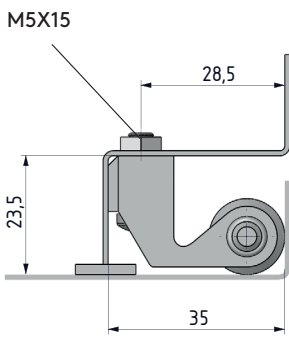
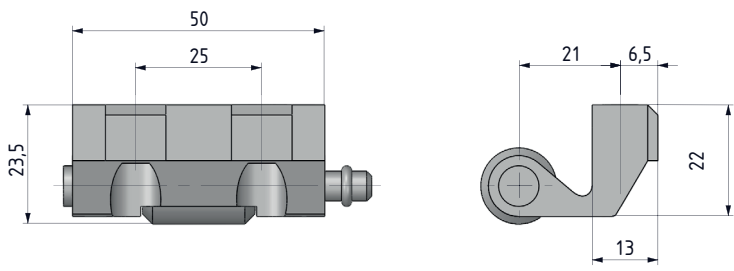
CONCEALED HINGE

296



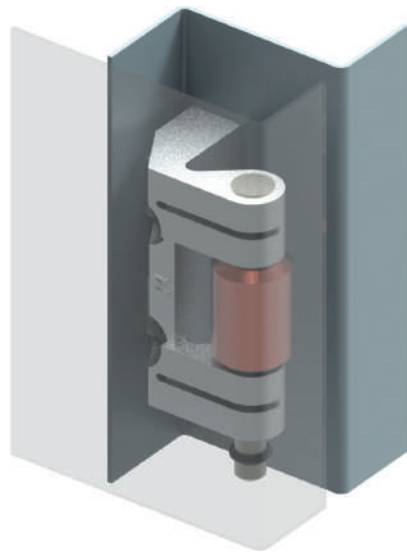
- RoHS
-
-

V:1



- For doors with a 23.5 mm bend.
- Smaller, more competitive alternative to 096 hinge

MATERIAL
 BODY: Zamak DIN-EN 1774-ZnAl4Cu1
 FIXED PART: Steel
FINISH
 BODY: Zinc plated or no finish
 WELDING PART: Copper plated



Hinge Rotation Angle



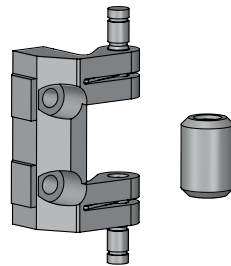
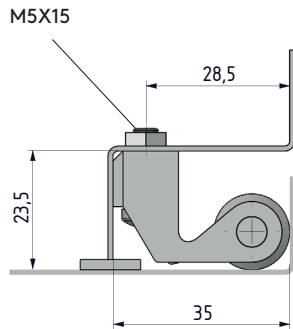
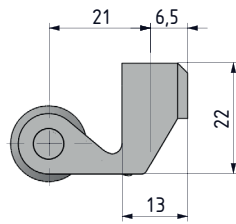
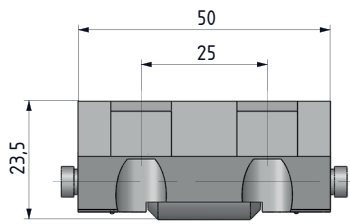
! Note: Bolts are not supplied

MATERIAL	M	FINISH	F
Zamak	1	Zinc plated	3
		No finish	0

Group Code	Material	Finish	Version
296	1	F	1



V: 2



296

CONCEALED HINGE



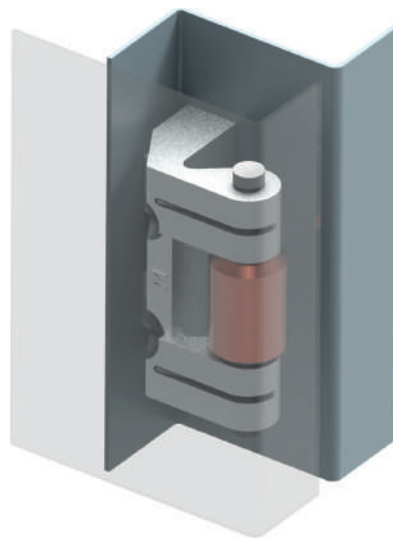
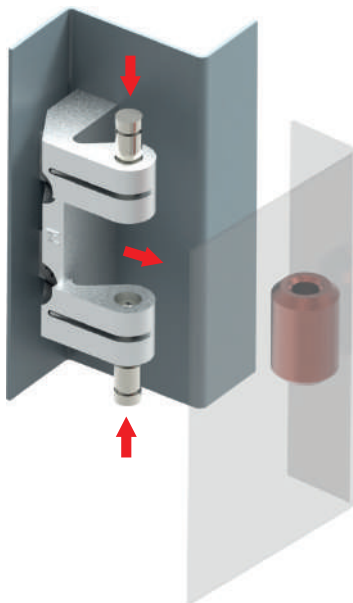
- Door part can be removed out from frame part without removing the pins
- Provides easy assembly
- Suitable for 23.5mm door bend

MATERIAL

BODY: Zamak DIN-EN 1774-ZnAl4Cu1
 FIXED PART: Steel

FINISH

BODY: Zinc plated or no finish
 FIXED PART: Copper plated



MATERIAL	M	FINISH	F
Zamak	1	Zinc plated	3
		No finish	0

Group Code	Material	Finish	Version
296	1	F	2

Hinge Rotation Angle



⚠ Note: Bolts are not supplied

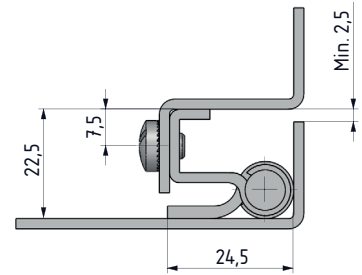
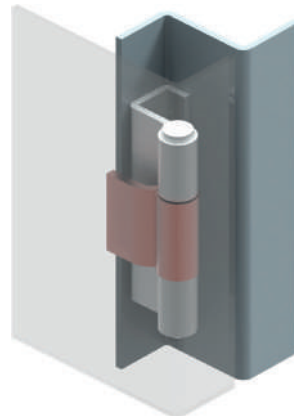
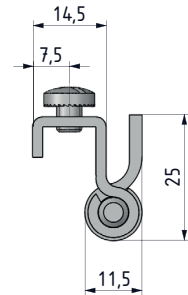
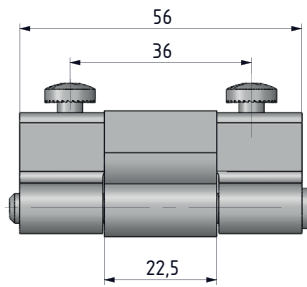
CONCEALED HINGES

CONCEALED HINGE

095



V:1

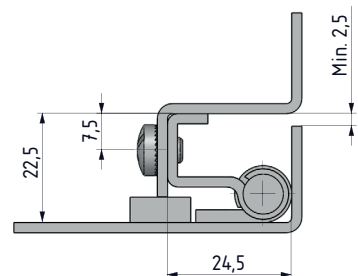
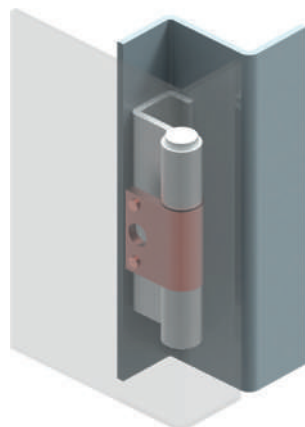
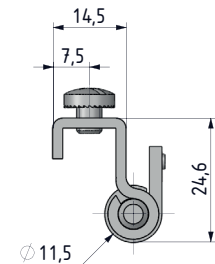
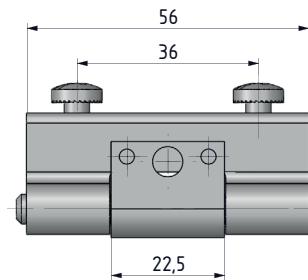


- Stainless steel version: page 492
- For doors with a bend of 22.5 mm or more. Available drilled with two holes or with two-mounting studs.
- Centre part available in different versions

MATERIAL
Steel

FINISH
BODY: Zinc plated
WELDING PART: Copper plated

V:2



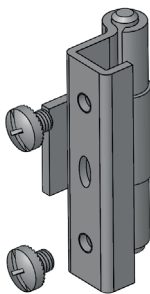
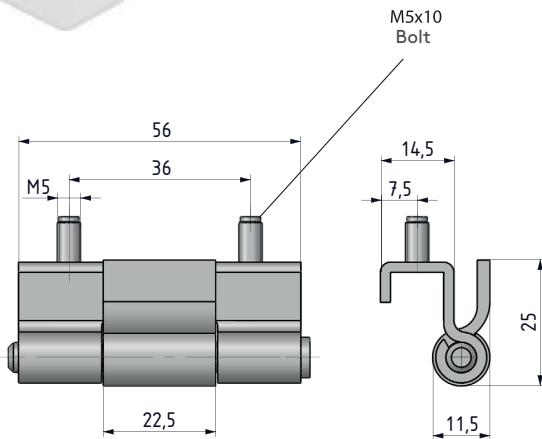
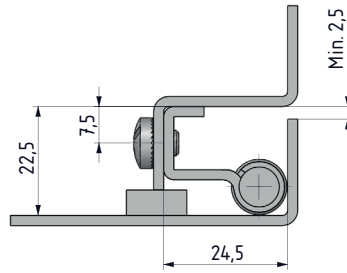
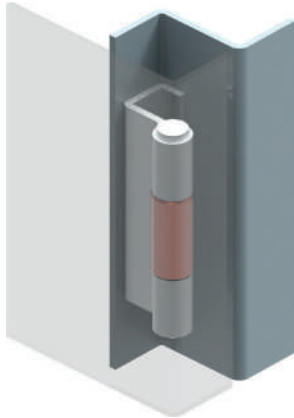
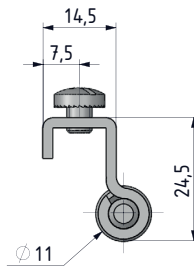
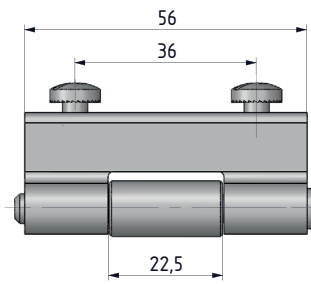
Hinge Rotation Angle



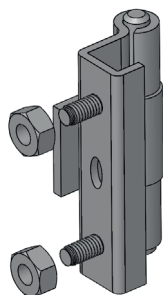
Group Code	Material	Finish	Version	Option
095	6	3	V	



V: 3



OP:0
Hole



OP:1
Stud

095

CONCEALED HINGE



- For doors with a bend of 22.5 mm or more
- Available drilled with two holes or with two-mounting studs
- Centre part available in different versions

MATERIAL

Steel

FINISH

BODY: Zinc plated
WELDING PART: Copper plated

Hinge Rotation Angle



! Note: Bolts are supplied

Group Code	Material	Finish	Version	Option
095	6	3	V	OP

CONCEALED HINGES

CONCEALED HINGE

195



- For doors with a bend of between 23.5 mm and 25.5 mm
- Easily fixed to panel or door profile

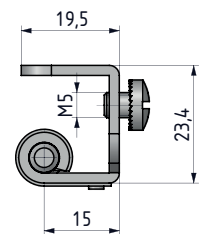
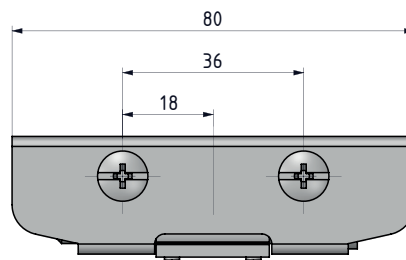
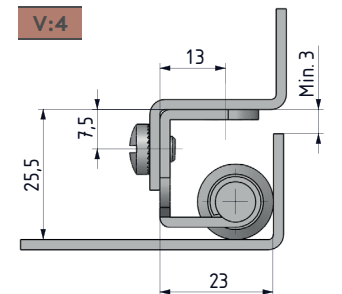
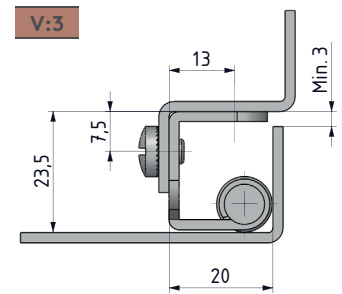
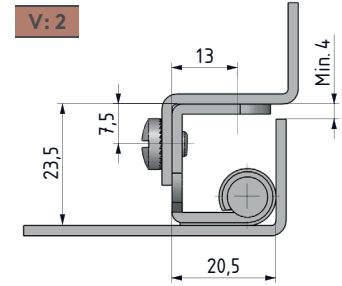
MATERIAL

Steel

FINISH

BODY: Zinc plated
WELDING PART: Copper plated

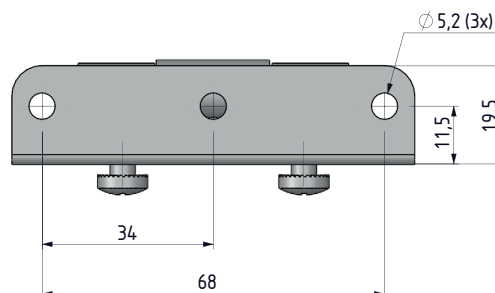
Fixed: 1



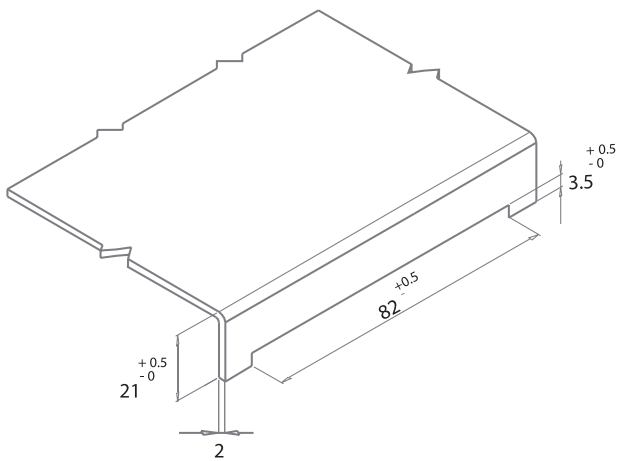
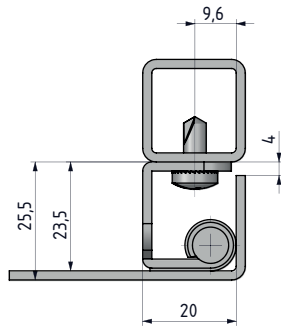
Hinge Rotation Angle



⚠ Note: Bolts are supplied



Fixed: 2
For profile body



Group Code	Version
195	V

195

CONCEALED HINGE



- For doors with a bend of between 23.5 mm and 25.5 mm
- Easily fixed to panel or door profile

MATERIAL

Steel

FINISH

BODY: Zinc plated
WELDING PART: Copper plated

Hinge Rotation Angle

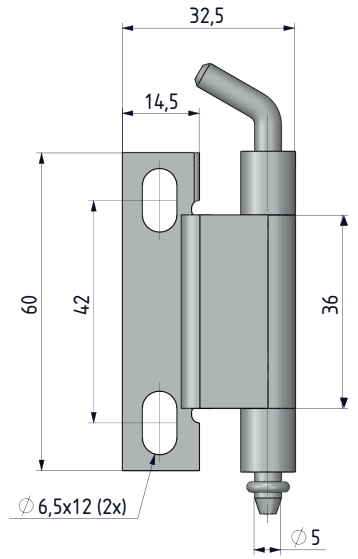
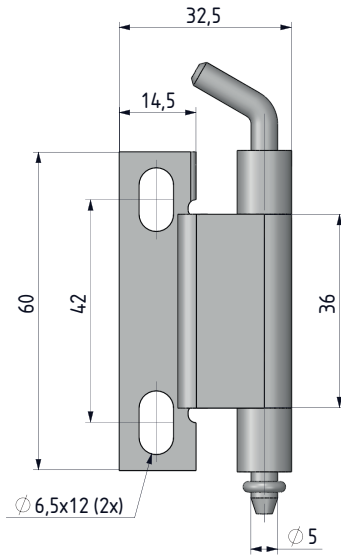


Note: Bolts are supplied

CONCEALED HINGES

CONCEALED HINGE

295

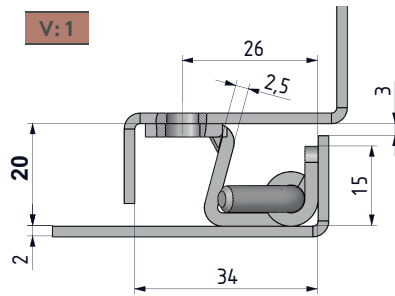


- Stainless steel version: page 482
- For doors with a bend of between 20 mm and 24 mm
- Frame part screwed on, door part welded on
- Suitable for left- and right-hand applications

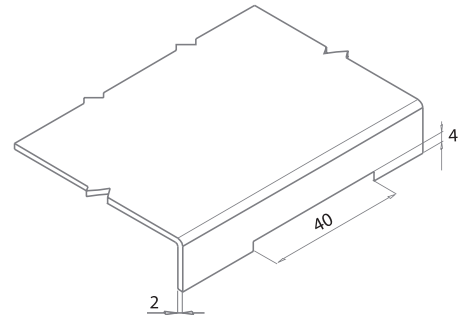
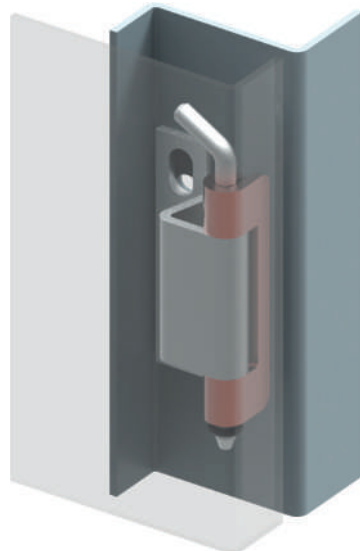
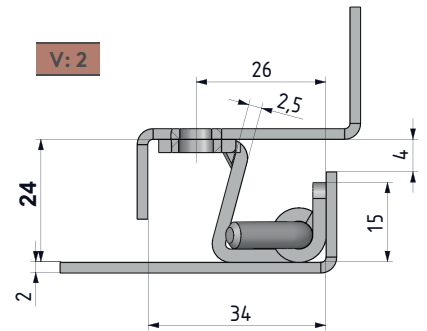
MATERIAL
Steel

FINISH
BODY: Zinc plated
WELDING PART: Copper plated

V:1



V:2



Hinge Rotation Angle



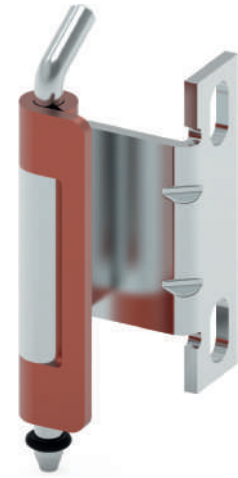
⚠ Note: Bolts are not supplied

Group Code	Material	Finish	Version
295	6	3	V



295

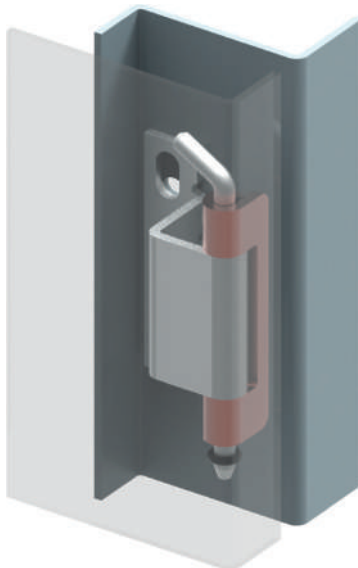
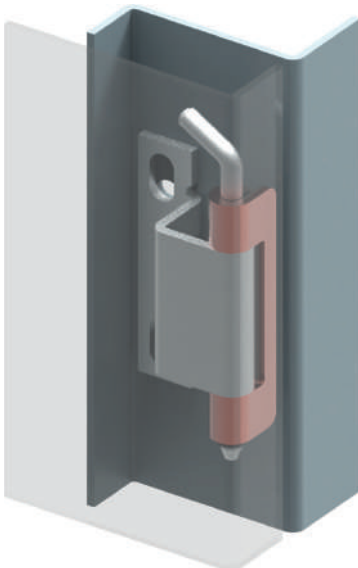
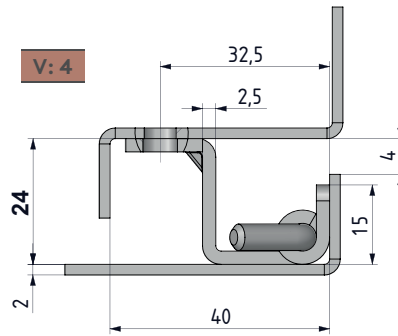
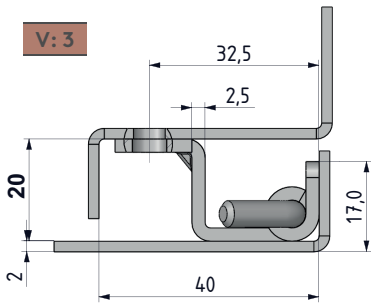
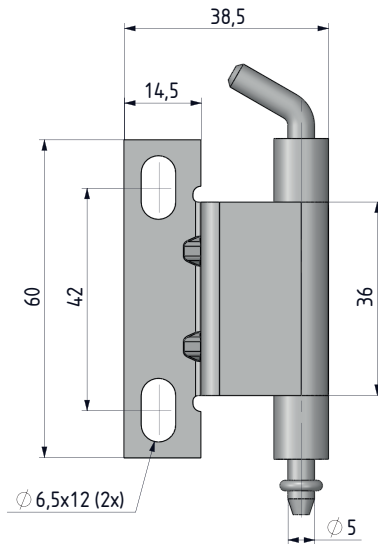
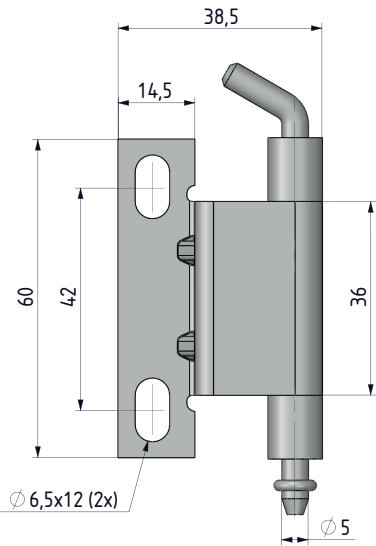
CONCEALED HINGE



• Stainless steel version: page 483

MATERIAL
Steel

FINISH
BODY: Zinc plated
WELDING PART: Copper plated



Hinge Rotation Angle



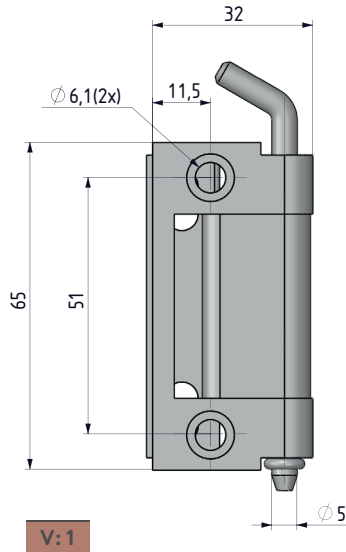
▲ Note: Bolts are not supplied

Group Code	Material	Finish	Version
295	6	3	V

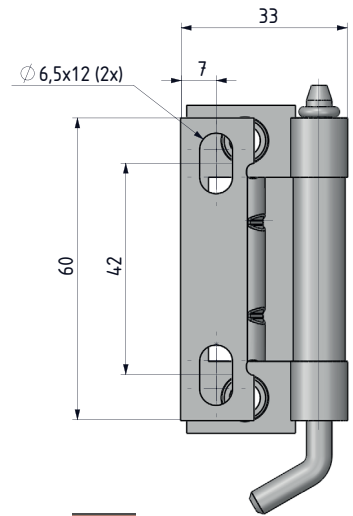
CONCEALED HINGES

CONCEALED HINGE

395



V:1

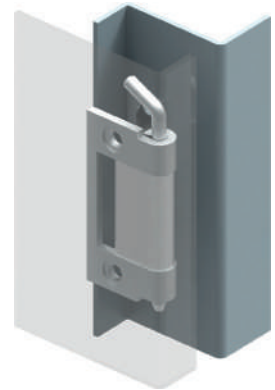
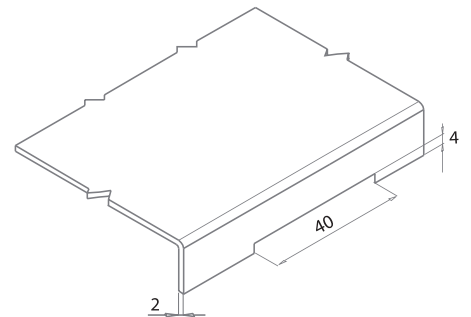
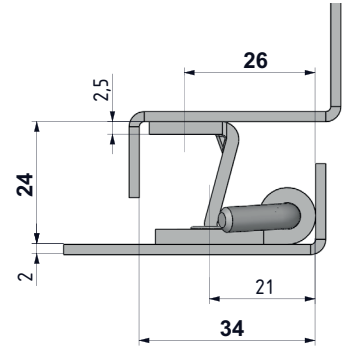
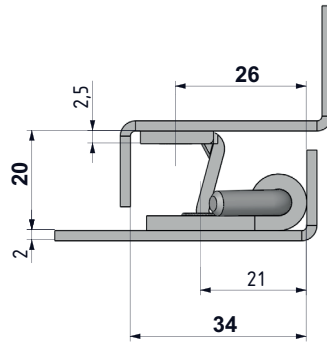


V:2

- Stainless steel version: page 484
- For doors with a bend of between 20 mm and 24 mm
- Frame part screwed on, door part welded on
- Suitable for left- and right-hand application

MATERIAL
Steel

FINISH
Zinc plated

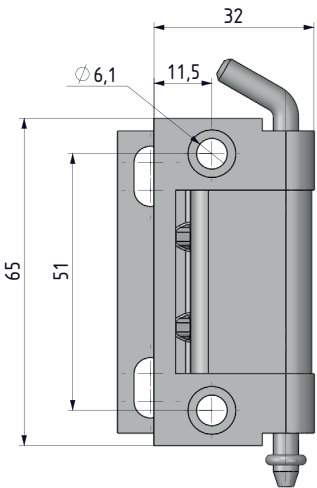


Hinge Rotation Angle

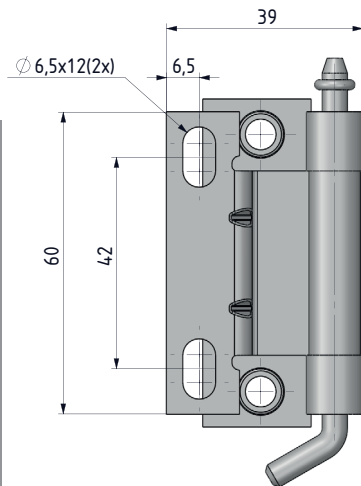
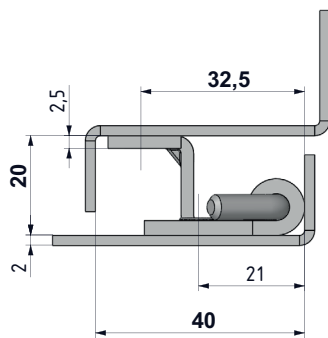


⚠ Note: Bolts are not supplied

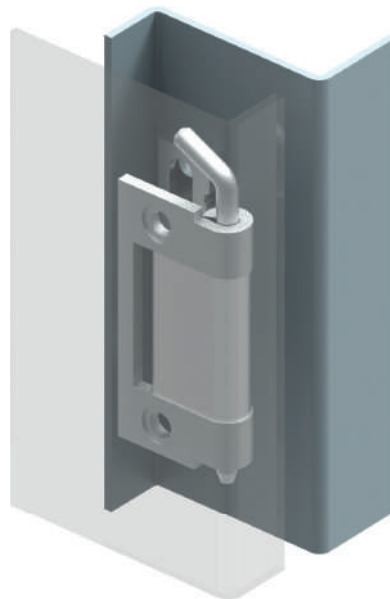
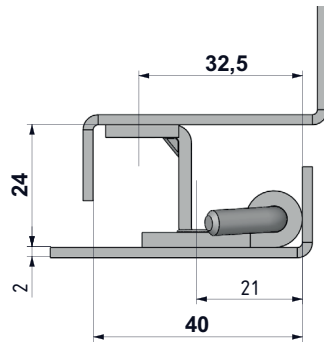
Group Code	Material	Finish	Version
395	6	3	V



V: 3



V: 4



395

CONCEALED HINGE



• Stainless steel version: page 485

MATERIAL
Steel

FINISH
Zinc plated

Hinge Rotation Angle



▲ Note: Bolts are not supplied

Group Code	Material	Finish	Version
395	6	3	V

▶ CONCEALED HINGES

CONCEALED HINGE

695



- Stainless steel version: page 486
- For doors with a bend of 18 mm
- Frame part screwed on, door part either welded or screwed on
- Suitable for left- and right-hand applications

MATERIAL
Steel

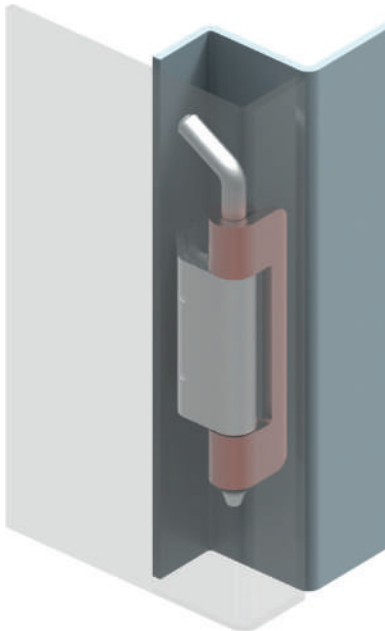
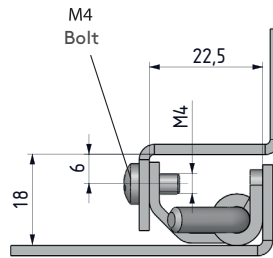
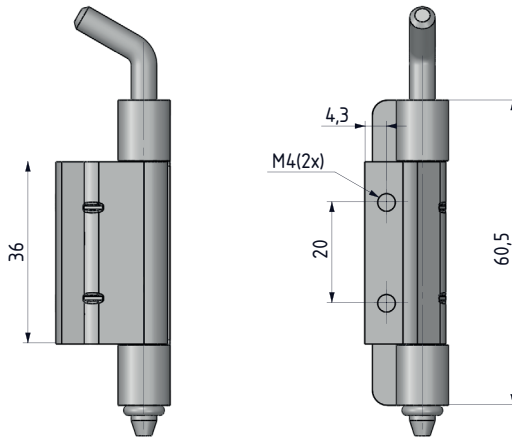
FINISH
BODY: Zinc plated
WELDING PART: Copper plated

Hinge Rotation Angle

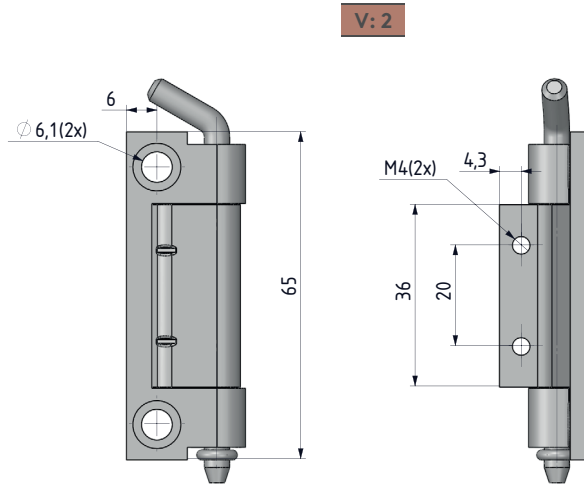


⚠ Note: Bolts are supplied

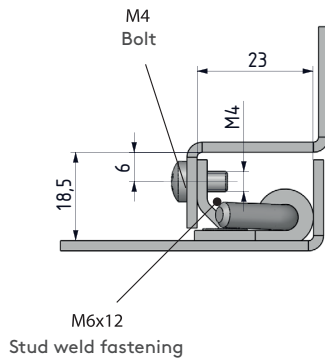
V: 1



Group Code	Material	Finish	Version
695	6	3	1



V: 2



695

CONCEALED HINGE



- **Stainless steel version: page 487**
- For doors with a bend of 18.5 mm
- Frame part screwed on, door part mounted by nut to welded stud on door
- Suitable for left- and right-hand application

MATERIAL
Steel

FINISH
Zinc plated

Hinge Rotation Angle



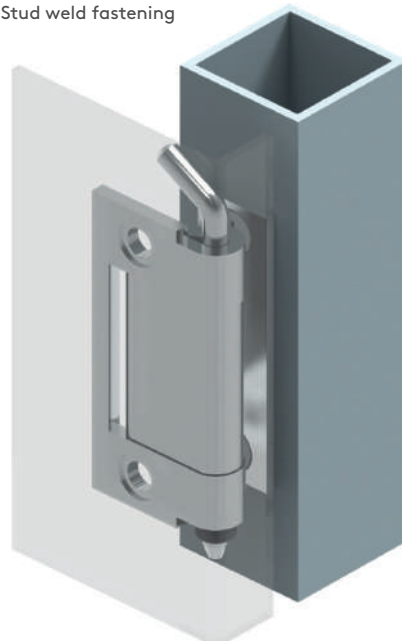
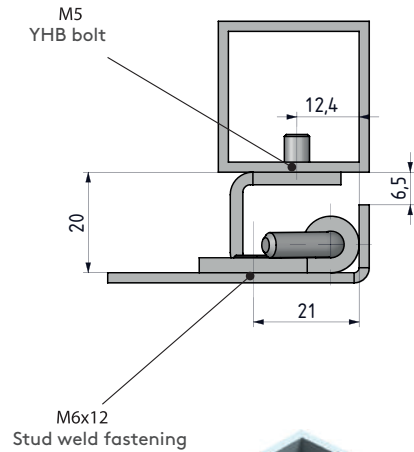
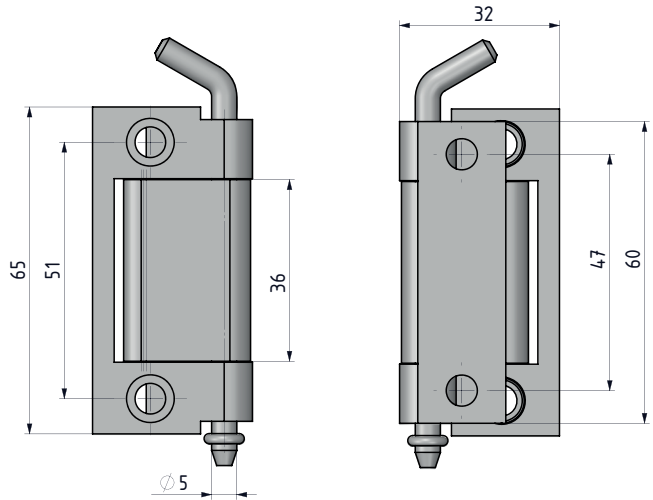
⚠ Note: Bolts are not supplied

Group Code	Material	Finish	Version
695	6	3	2

CONCEALED HINGES

CONCEALED HINGE

795

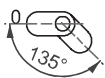


- Stainless steel version: page 488
- For doors with a bend of 20 mm to fix profiles
- Frame part screwed on, door part mounted by nut to welded stud on door
- Suitable for left- and right-hand application

MATERIAL
Steel

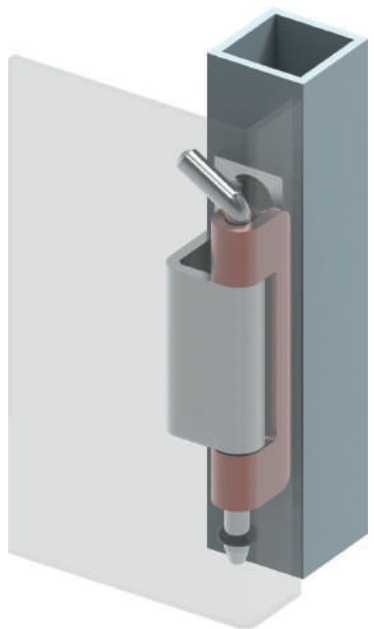
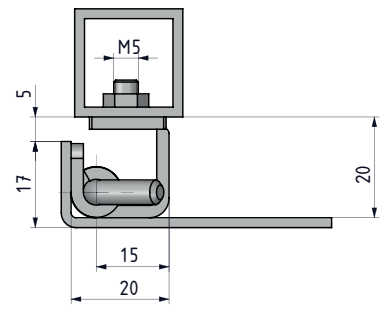
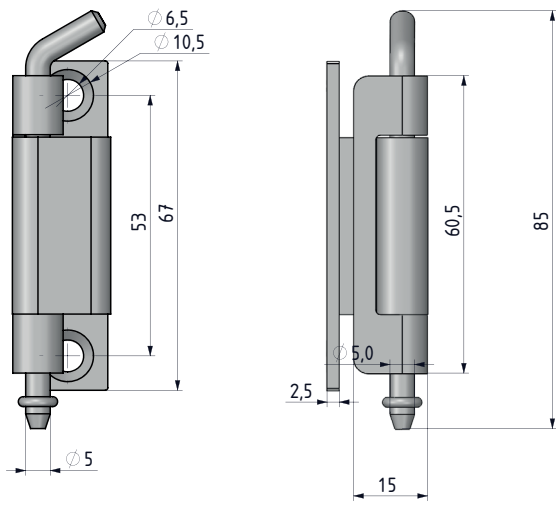
FINISH
Zinc plated

Hinge Rotation Angle



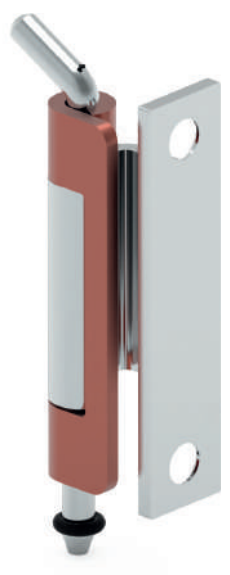
Note: Bolts are not supplied

Group Code	Material	Finish
795	6	3



1795

CONCEALED HINGE

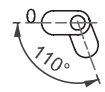


- For doors with a bend of between 20 mm
- Easily fixed to panel or door profile due to hinge design
- Suitable for left - and right- hand applications

MATERIAL
 BODY: Steel
 FIXED PART: Steel
 PIN: Steel

FINISH
 BODY: Zinc plated
 FIXED PART: Copper plated

Hinge Rotation Angle



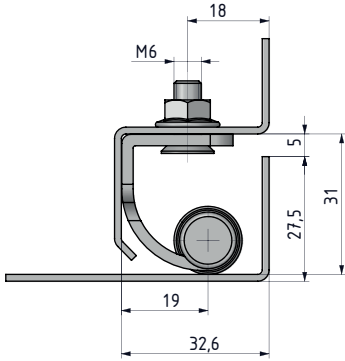
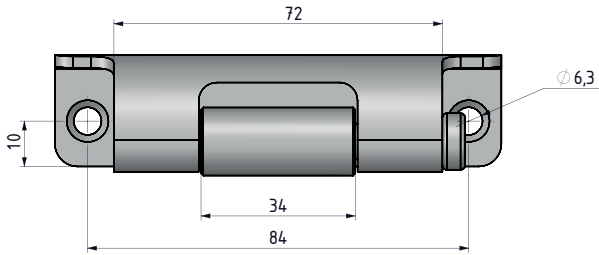
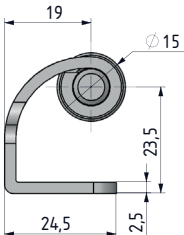
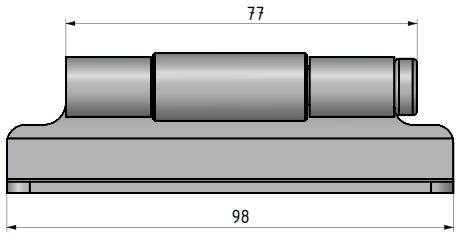
⚠ Note: Bolts are not supplied

Group Code	Material	Finish
1795	6	3

CONCEALED HINGES

CONCEALED HINGE

895

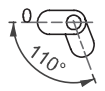


- Side part can be mounted with M5 screws
- Centre part copper plated for easy welding
- Suitable for heavy-duty applications
- Pin should be mounted during hinge assembly

MATERIAL
Steel

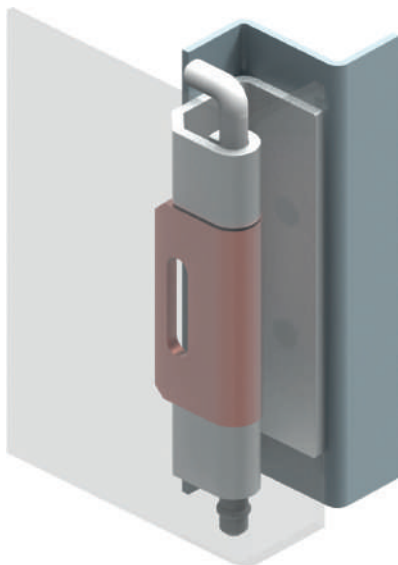
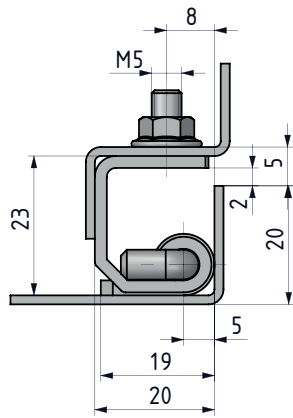
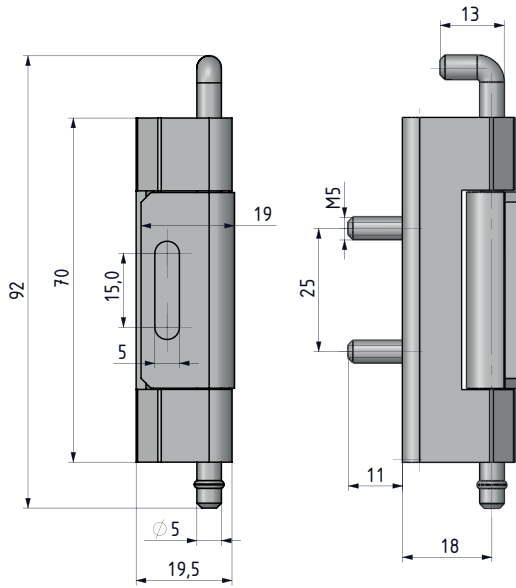
FINISH
BODY: Zinc plated
WELDING PART: Copper plated

Hinge Rotation Angle



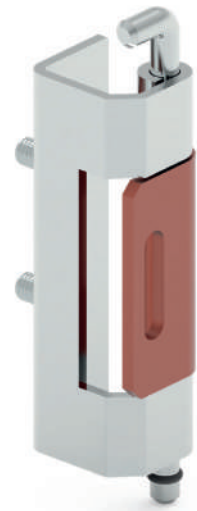
Note: Bolts are not supplied

Group Code	Material	Finish
895	6	3



1095

CONCEALED HINGE



- For doors with a bend of 23 mm
- Easily fixed to panel or door profile
- Suitable for left- and right-hand application

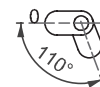
MATERIAL

BODY: Steel
 FIXED PART: Steel
 PIN: Steel

FINISH

BODY: Zinc plated
 FIXED PART: Copper plated

Hinge Rotation Angle

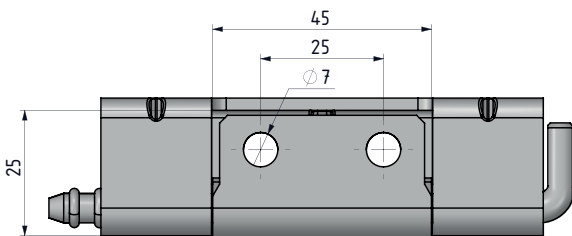
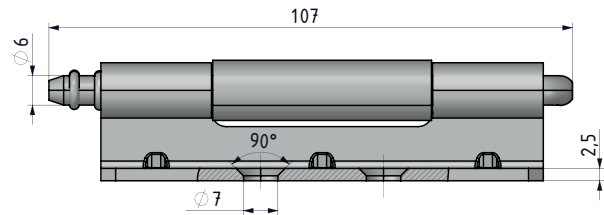
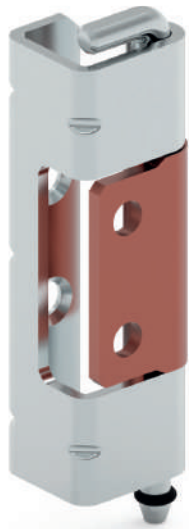


Group Code	Material	Finish
1095	6	3

CONCEALED HINGES

CONCEALED HINGE

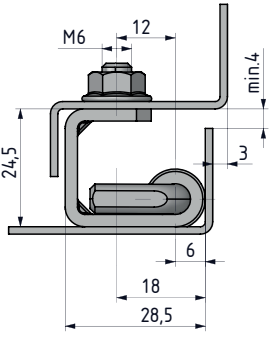
995



- Stainless Steel version: page: 491
- Side part can be mounted with M5 screws
- Centre part copper plated for easy welding
- Suitable for heavy-duty applications
- Suitable for 25 mm bend door cabinets

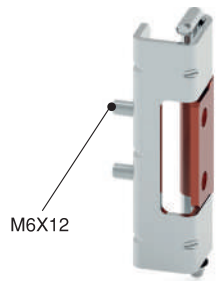
MATERIAL
Steel

FINISH
BODY: Zinc plated
WELDING PART: Copper plated (MP1)

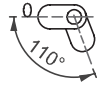


Note: Bolts are not supplied

OP:1
Stud



Hinge Rotation Angle



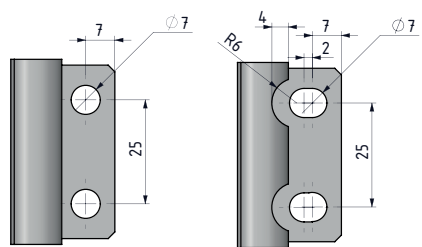
Note: Nuts are not supplied



V:3
Fixed by O-ring

V:4
Fixed by clips

Middle Parts

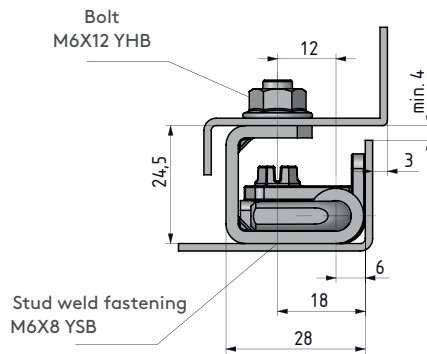
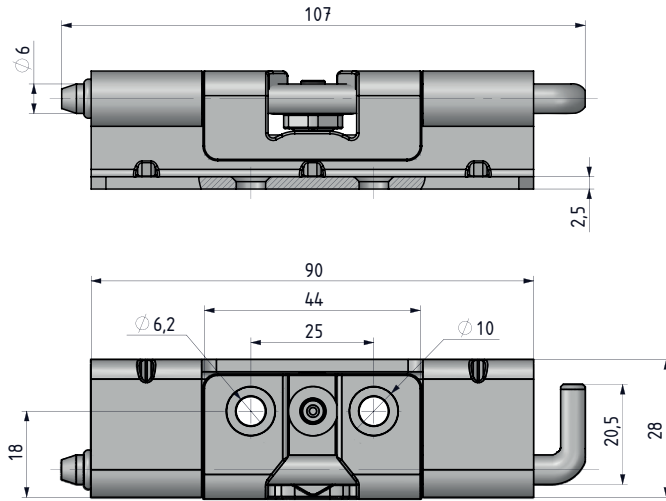


MP:1
Circle Hole

MP:2
Slot hole

Group Code	Material	Finish	Version	Middle Part	Option
995	6	3	V	MP	OP

OPTION	OP
Hole	0
Stud	1



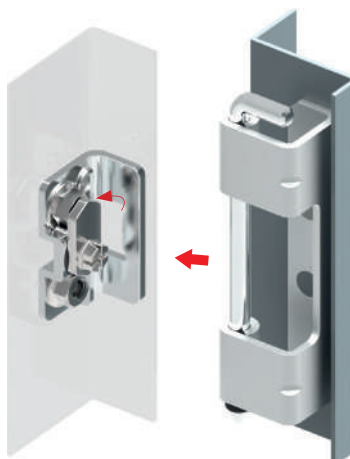
Position 1
Closed door



Position 2
After the door is opened, cam is rotated 90° with a screwdriver



Position 3
The cover is removed



Hinge Rotation Angle



995

CONCEALED HINGE



- Suitable for heavy-duty applications
- Suitable for Left- and right-hand applications
- Suitable for 25 mm bend door cabinets
- Door part can be removed by a screw

MATERIAL

BODY: Steel
WELDING PART: Zamak DIN-EN 1774-ZnAl4Cu1

FINISH:

BODY: Zinc plated
WELDING PART: Zinc plated

Group Code	Material	Finish	Version	Option
995	6	3	2	OP

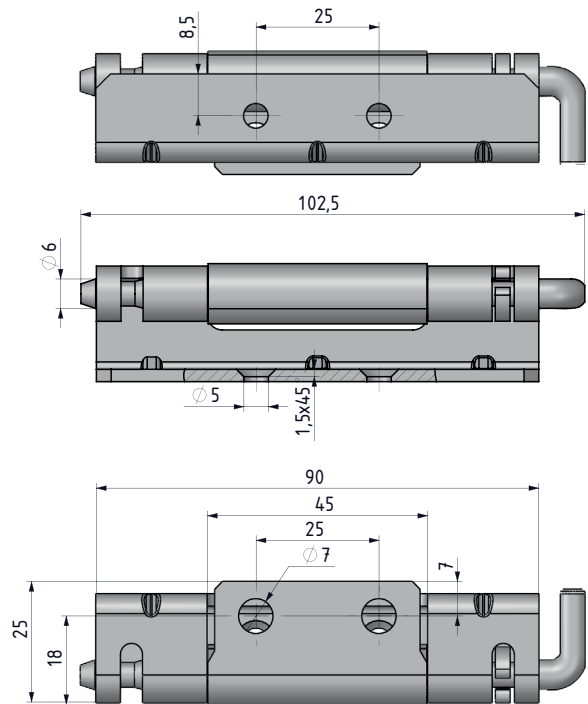
OPTION	OP
Hole	0
Stud	1

Note: Bolts and nuts are not supplied

CONCEALED HINGES

CONCEALED HINGE

1995



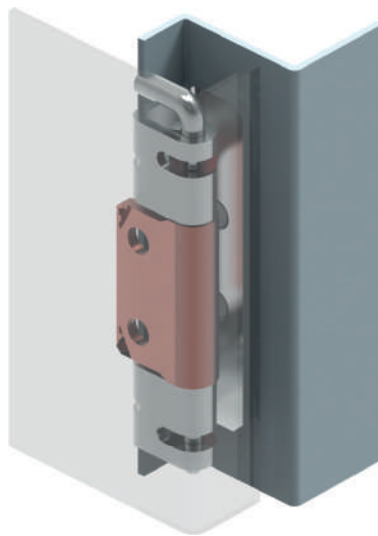
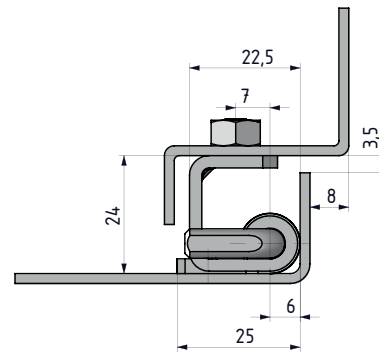
- Stainless steel version: page 490
- Remove the door by just removing the pin
- Suitable for 24 mm door bend cabinets
- Copper plated middle part for easy welding

MATERIAL

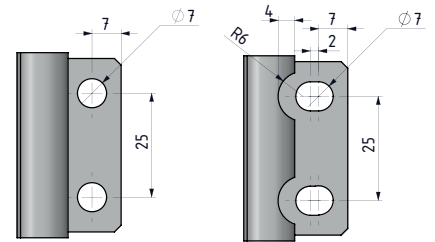
BODY: Zamak DIN-EN 1774-ZnAl4Cu1
 FIXED PART: Steel

FINISH

BODY: Zinc plated
 WELDING PART: Copper plated (MP1)



Middle Parts



MP: 1

MP: 2

Circle Hole

Slot hole

⚠ Note: Bolts are not supplied

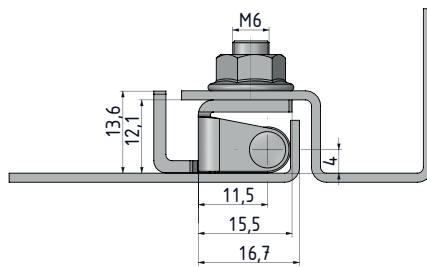
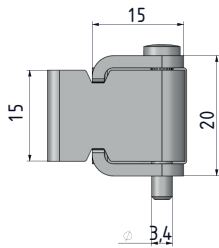
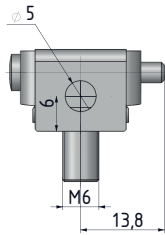
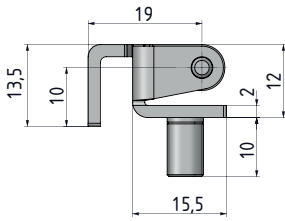
Group Code	Material	Finish	Version	Middle Part	Option
1995	6	3	4	MP	0

OPTION	OP
Hole	0



595

CONCEALED HINGE



• Can be used for small size panels

MATERIAL
Steel

FINISH
Zinc plated



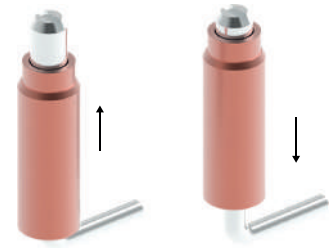
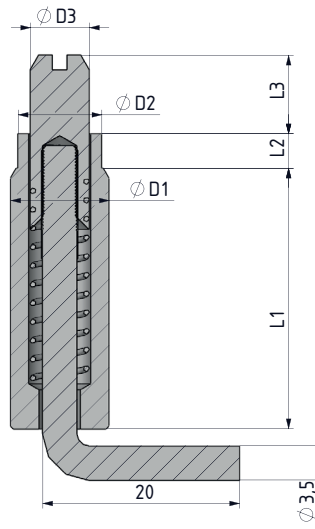
! Note: Bolts are supplied

Group Code	Material	Finish
595	6	3

CONCEALED HINGES

SPRING LOADED

189

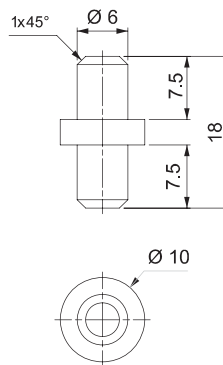
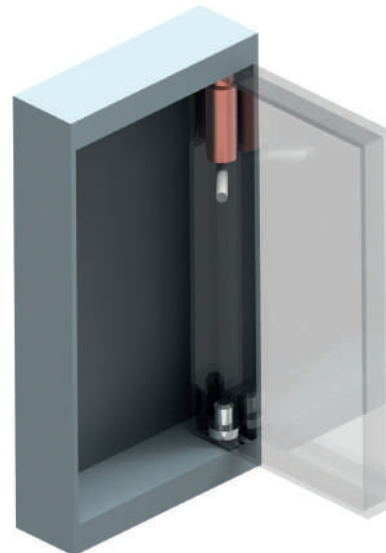


- For internally mounted doors
- Spring loaded hinge for easy door removal
- Body copper plated for easy welding. Available as spring-loaded, up-and-down pair; or spring-loaded up hinge and fixed bottom hingew

MATERIAL
Steel

FINISH
BODY: Copper plated
Other materials: Zinc plated

Hinge Rotation Angle

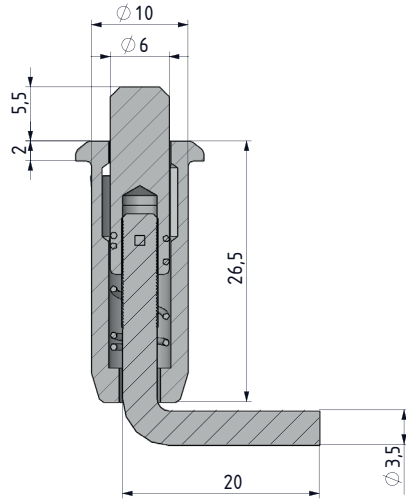


BOTTOM PIVOT PIN

32003192Y



\varnothing D1	\varnothing D2	\varnothing D3	L1 MM	L2 MM	L3 MM	PRODUCT CODE
10	8.5	6	26.5	3.5	9	189-9
10	8.5	6	38	3.5	10	189-10
12	9	6	38	3.5	10	189-12
15	12	9	47	6	14.5	189-15



389

SPRING LOADED

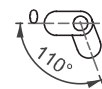


- For internally mounted doors
- Spring-loaded hinge for easy door removal
- Clip fixing for easy assembly
- Suitable for panel thicknesses of between 1 mm and 1.3 mm
- Available as spring-loaded, up-and-down pair; or spring-loaded up hinge and fixed bottom hinge

MATERIAL

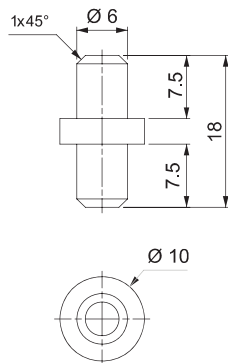
BODY: Polyamide DIN-EN ISO1043-1 PA6 GFR 30
 PIN: Steel

Hinge Rotation Angle



32003192Y

BOTTOM PIVOT PIN



CONCEALED HINGES

CONCEALED HINGE

089



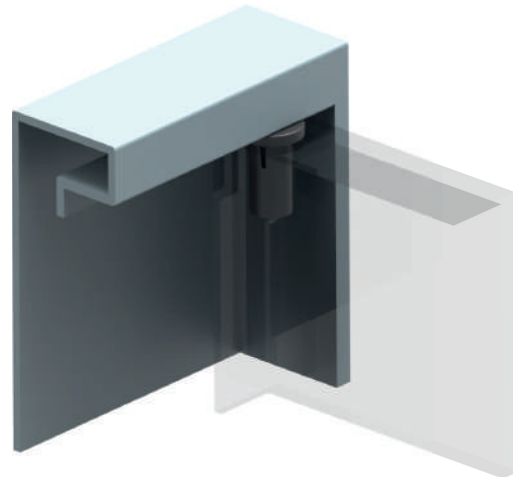
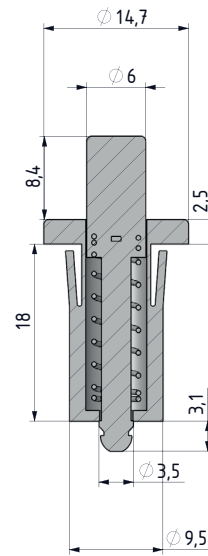
- For internally mounted doors
- Spring-loaded hinge for easy door removal
- Clip fixing for easy assembly
- Suitable for panel thicknesses of between 0.5 mm and 0.8 mm
- Available as spring-loaded, up-and-down pair; or spring-loaded up hinge and fixed bottom hinge

MATERIAL

BODY: Polyamide DIN-EN ISO1043-1 PA6 GFR 30

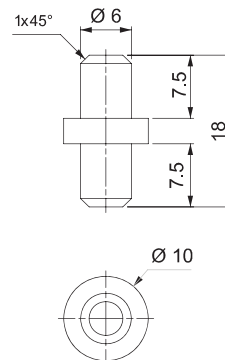
PIN: Steel

Hinge Rotation Angle



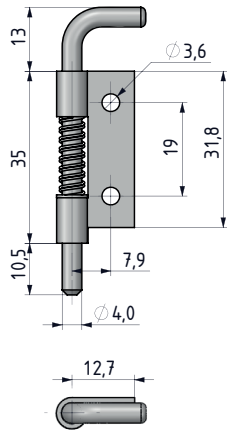
BOTTOM PIVOT PIN

32003192Y

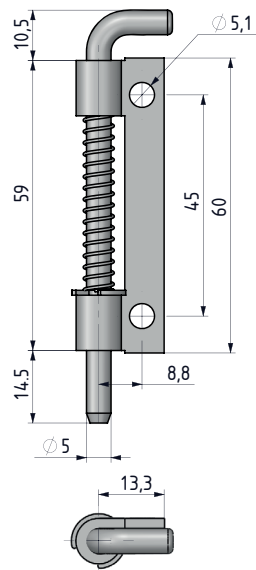




V:1



V:2

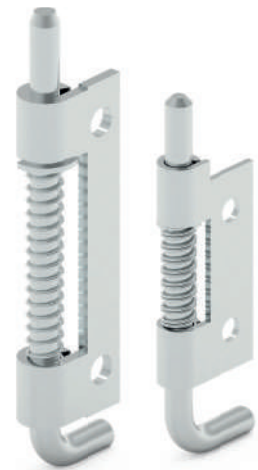


DOOR DIRECTION	
Right hand	001
Left hand	002

Group Code	Material	Finish	Version	Door Direction
289	6	3	V	

289

CONCEALED HINGE

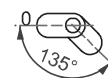


- Stainless steel version: page 489
- For internally mounted doors
- Spring loaded hinge for easy door removal
- Both versions are either screwed or welded on
- Suitable for left- and right-hand application

MATERIAL
Steel

FINISH
Zinc plated

Hinge Rotation Angle



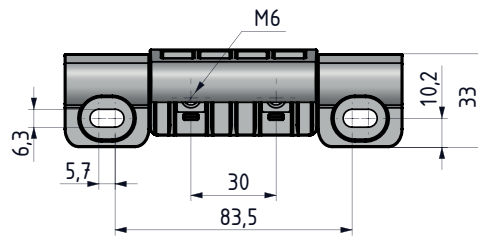
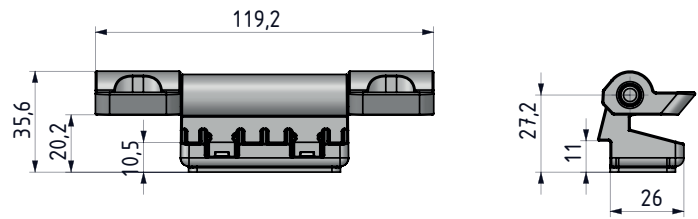
Note: Bolts are not supplied

Note: Assembled RH (as drawn)
Assembled LH (mirror inverted)

CONCEALED HINGES

CONCEALED HINGE

394



- Suitable for lightweight panels and applications
- Left and right hand application is possible
- Suitable for M6 screws
- 90° hinge rotation angle

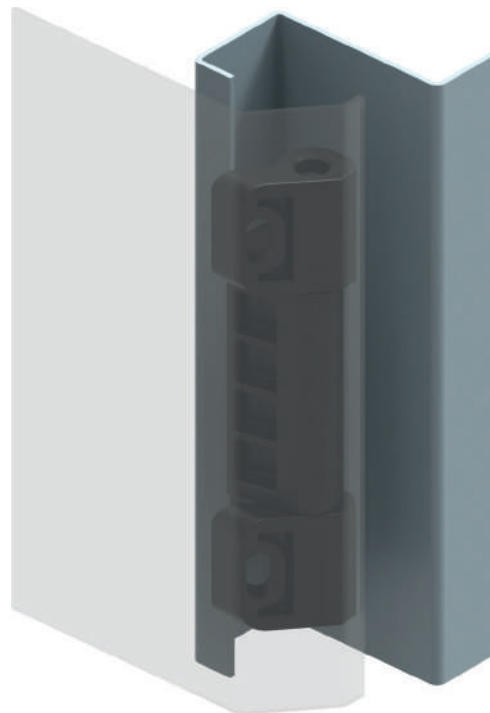
MATERIAL

FRAME PART: PA6 GFR30

DOOR PART: PA6 GFR30

NUT: Steel

Hinge Rotation Angle



Note: Bolts are not supplied



1495

CONCEALED HINGE



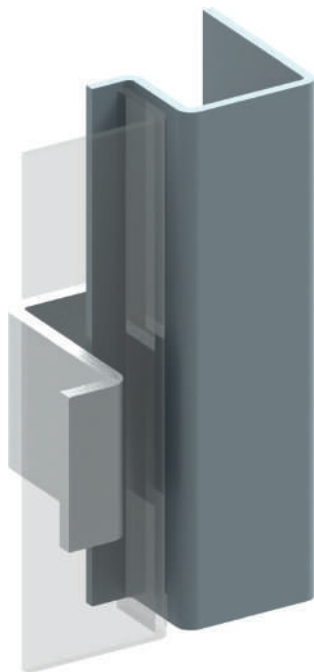
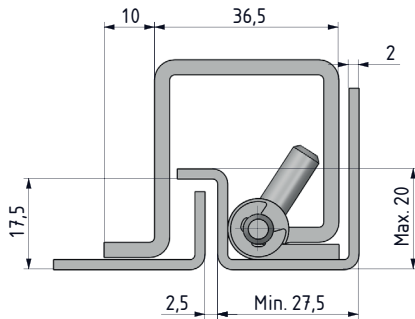
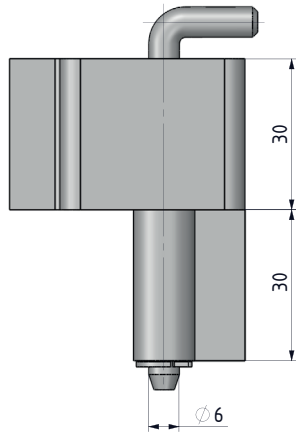
- Frame part and door parts are welded on
- Used for special geometry profiles of the cabinets

MATERIAL

BODY: Steel
PIN: Steel

FINISH

No finish



Group Code	Material	Finish
1495	6	0



336



337



338



339



340



341



342



343



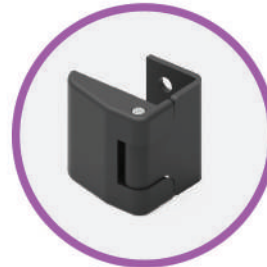
344



345



346



347



348



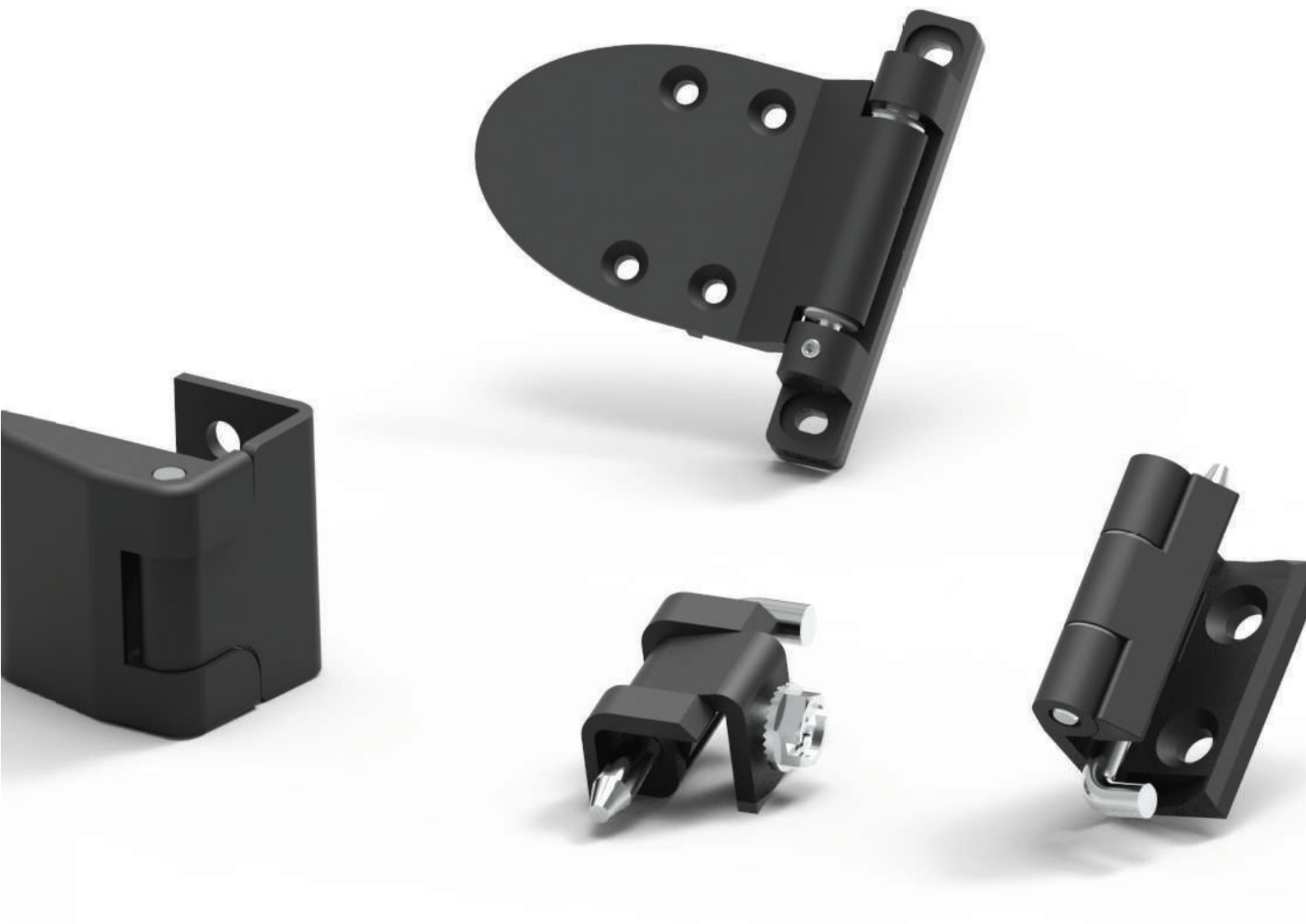
349



350



351



CORNER HINGES

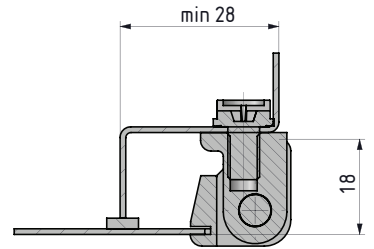
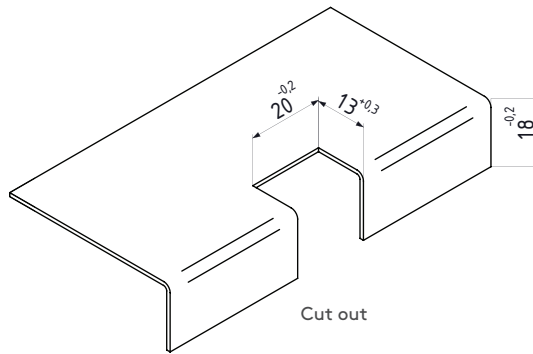
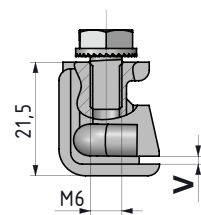
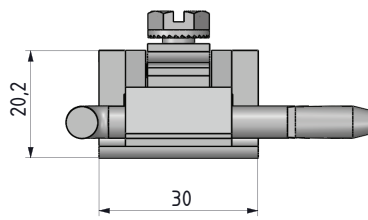
334-351



CORNER HINGES

CORNER HINGE

097



- Stainless steel version: page 493
- Corner hinge
- Suitable for steel panels with a thickness of between 1.0 mm - 2.2 mm and 2.5 mm
- Hinge pin available in three types

MATERIAL

FIXED, MOVABLE PARTS:
Zamak DIN-EN 1774-ZnAl4Cu1
PIN: Steel or poliasetal (Delrin)

FINISH

Chrome plated or black coated

V:15

1.0 mm - 1.2 mm
door plate thickness
(097 M-F-P-15)

V:22

1.5 mm - 2 mm
door plate thickness
(097 M-F-P-22)

V:25

2 mm - 2.5 mm
door plate thickness
(097 M-F-P-25)



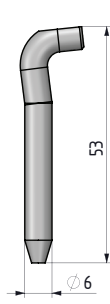
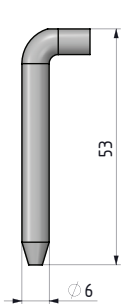
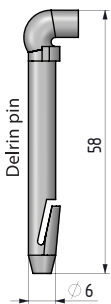
Hinge Rotation Angle



P:1

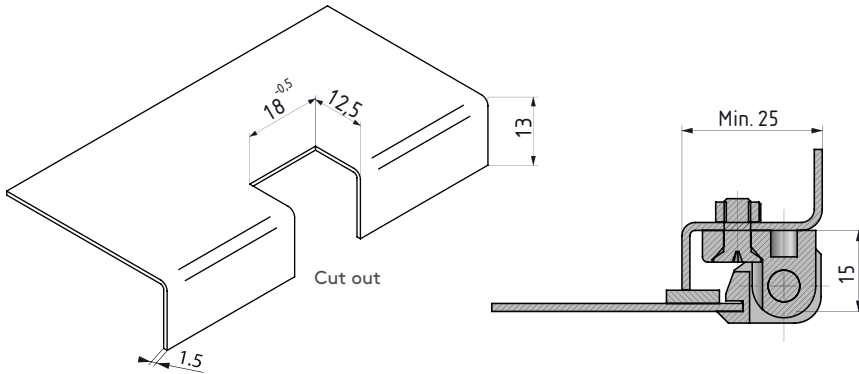
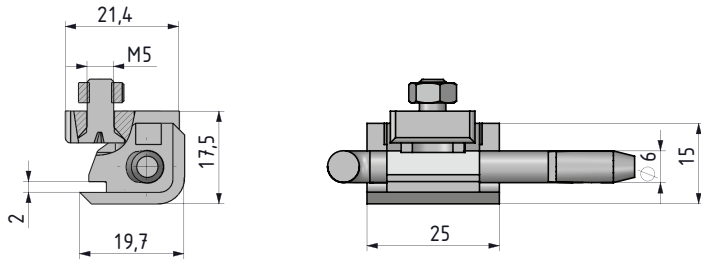
P:2

P:3



MATERIAL	M	FINISH	F
Zamak	1	Chrome plated	1
		Black coated	2

Group Code	Material	Finish	Pin	Version
097	1	F	P	V



197

CORNER HINGE



- Corner hinge. Suitable for steel panels with a thickness of between 0.8 mm - 1.5 mm
- Hinge pin available in three types

MATERIAL

BODY: Polyamide PA6 GFR 30

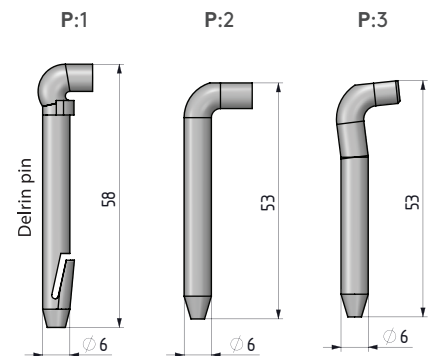
PIN: Steel or poliasetal (Delrin)

Hinge Rotation Angle



MATERIAL	M	FINISH	F
Plastic	2	No finish	0

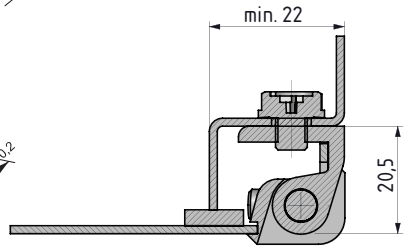
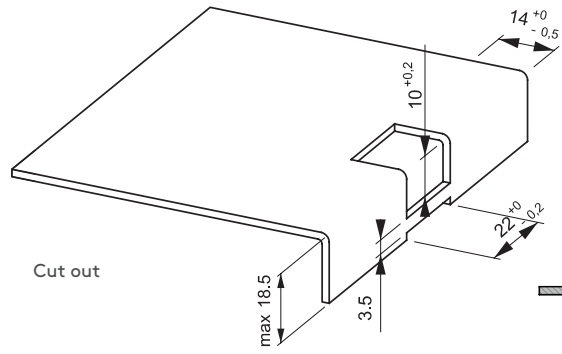
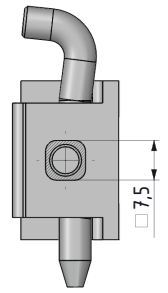
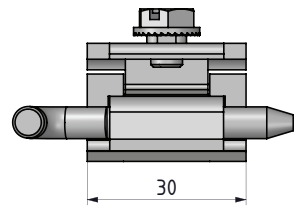
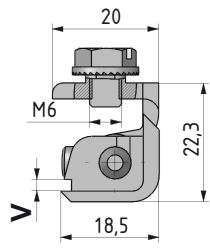
Group Code	Material	Finish	Pin
197	2	0	P



CORNER HINGES

CORNER HINGE

297



- Corner hinge. Cut out helps provide greater resistance than 097 hinge
- Suitable for steel panels with a thickness of between 1.0 mm and 1.5 mm
- Hinge pin available in three types

MATERIAL
 FIXED, MOVABLE PARTS:
 Zamak DIN-EN 1774-ZnAl4Cu1
 PIN: Steel or poliasetal (Delrin)

FINISH
 Chrome plated or black coated

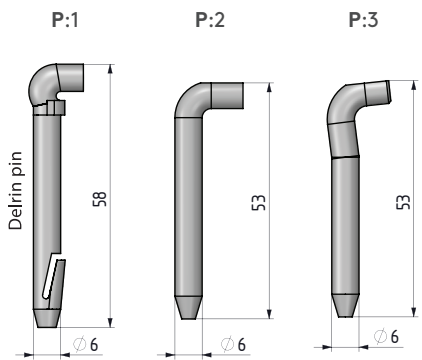
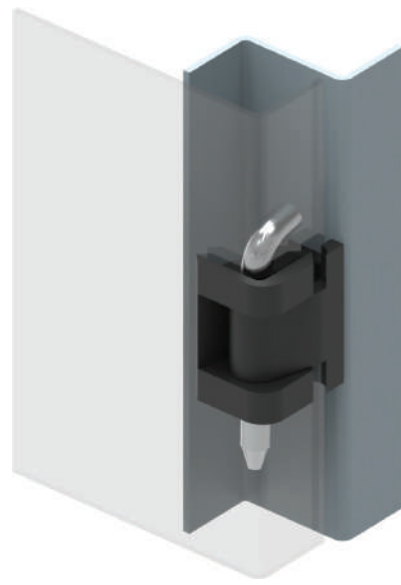
V:15

1.0 mm - 1.2 mm door plate thickness
 (297 M-F-P-15)

V:22

1.5 mm door plate thickness
 (297 M-F-P-22)

Hinge Rotation Angle



MATERIAL	M	FINISH	F
Zamak	1	Chrome plated	1
		Black coated	2

Group Code	Material	Finish	Pin	Version
297	1	F	P	V



397

CORNER HINGE



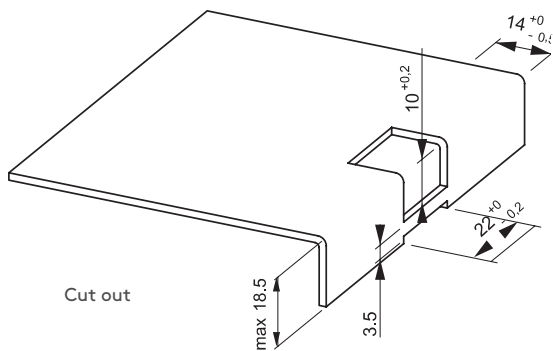
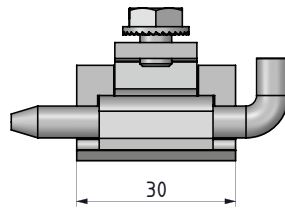
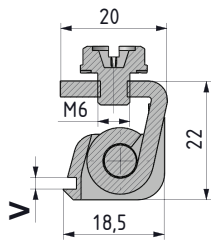
- Corner hinge. Cut out helps provide greater resistance than 097 hinge.
- Steel frame part provides higher strength
- Suitable for steel panels with a thickness of between 1.0 mm and 1.5 mm
- Hinge pin available in four types

MATERIAL

BODY: Zamak DIN-EN 1774-ZnAl4Cu1
 FRAME PART: Steel

FINISH

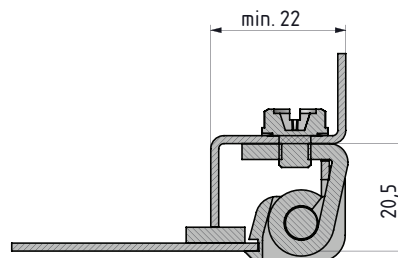
Chrome plated or black coated



Cut out

V:15

1.0 mm - 1.2 mm door plate thickness
(397 M-F-P-15)



V:22

1.5 mm door plate thickness
(397 M-F-P-22)

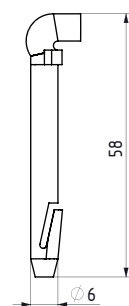


FRAME PART (Steel)

Hinge Rotation Angle



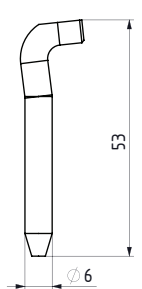
P:1



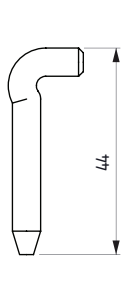
P:2



P:3



P:4



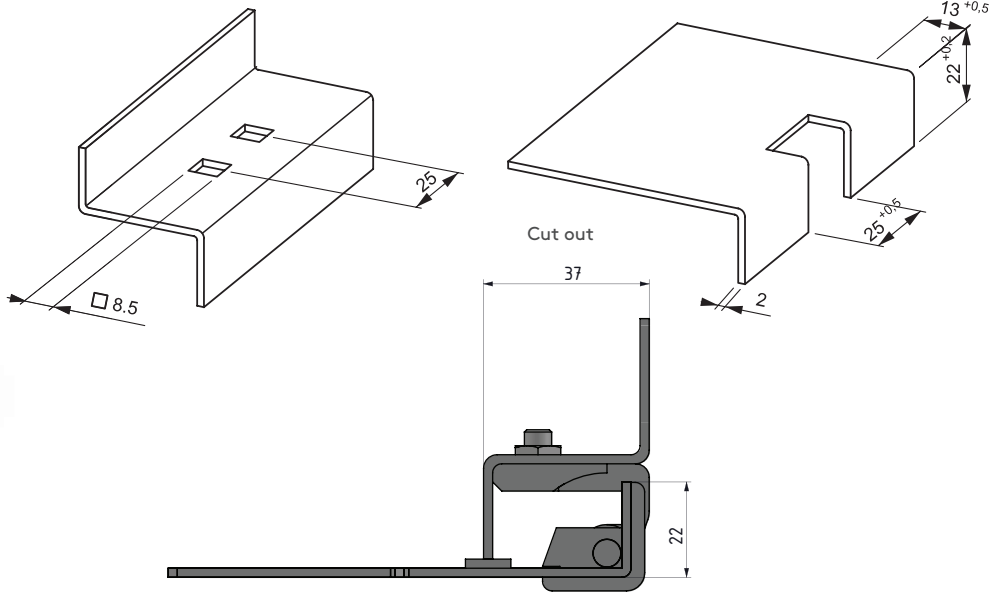
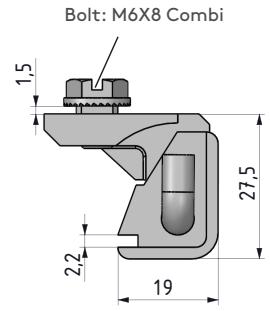
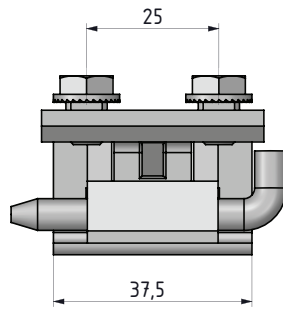
MATERIAL	M	FINISH	F
Zamak	1	Chrome plated	1
		Black coated	2

Group Code	Material	Finish	Pin	Version
397	1	F	P	V

CORNER HINGES

CORNER HINGE

298



- Corner hinge. Suitable for steel panels with a thickness of between 1.5 mm and 2 mm
- Steel hinge pin
- With M6 threaded studs for internal fastening

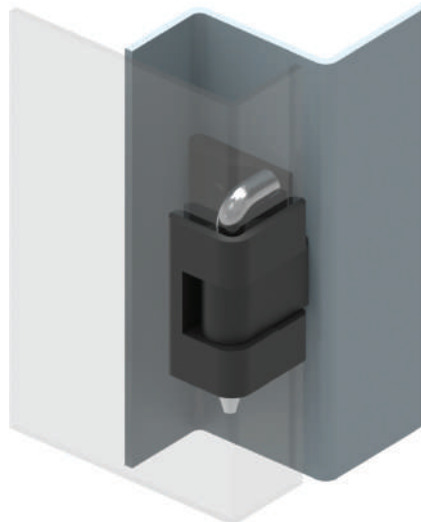
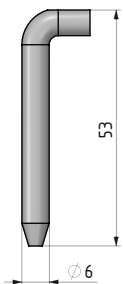
MATERIAL
 BODY: Zamak DIN-EN 1774-ZnAl4Cu1
 PIN: Steel

FINISH
 Chrome plated or black coated

Hinge Rotation Angle

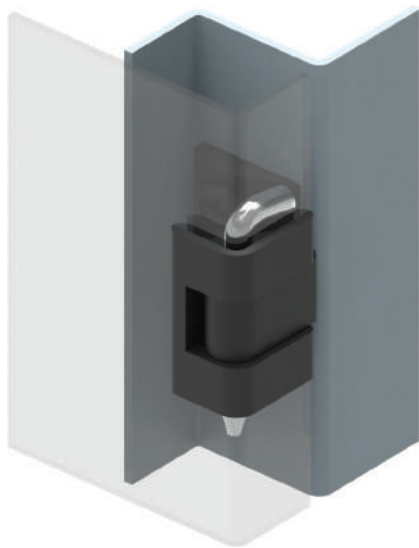
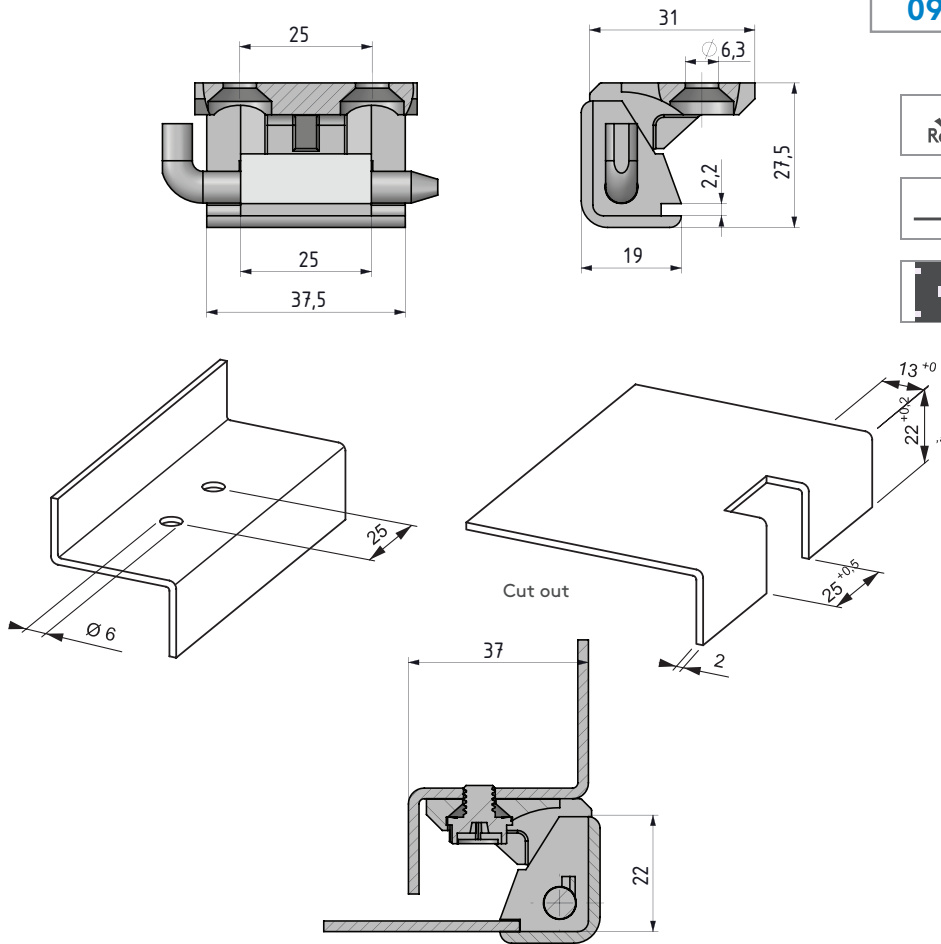


P:2



MATERIAL	M	FINISH	F
Zamak	1	Chrome plated	1
		Black coated	2

Group Code	Material	Finish	Pin
298	1	F	2



098

CORNER HINGE



- Suitable for steel panels with a thickness of between 1.5 mm and 2 mm
- Steel hinge pin

MATERIAL

BODY: Zamak DIN-EN 1774-ZnAl4Cu1
PIN: Steel

FINISH

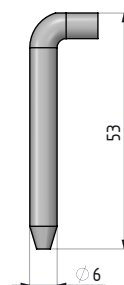
Chrome plated or black coated

⚠ Note: Bolts are not supplied

Hinge Rotation Angle



P:2



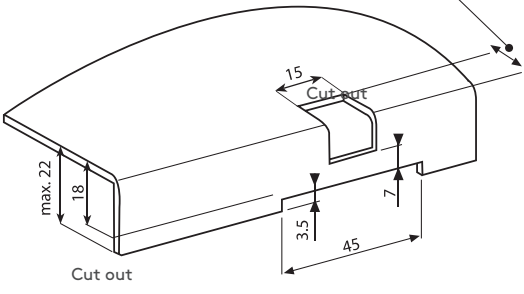
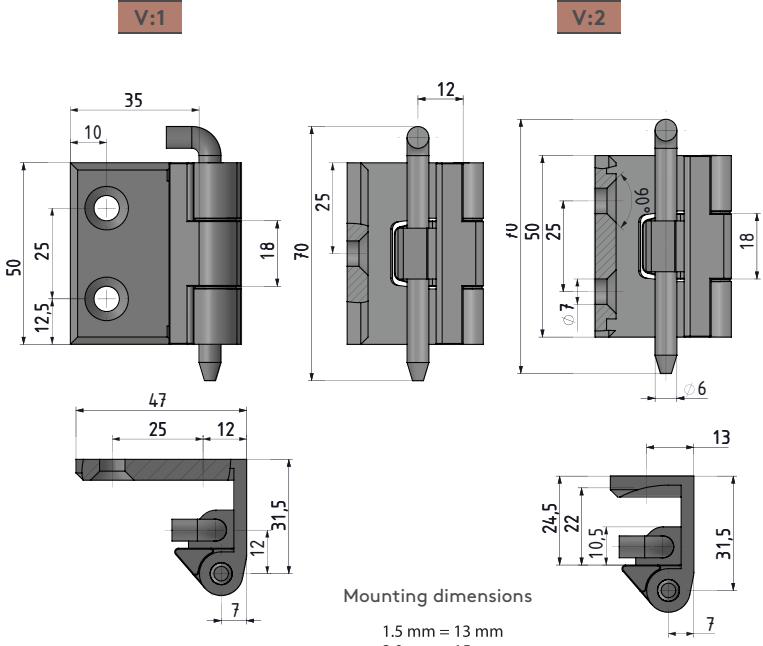
MATERIAL	M	FINISH	F
Zamak	1	Chrome plated	1
		Black coated	2

Group Code	Material	Finish	Pin
098	1	F	2

CORNER HINGES

CORNER HINGE

398



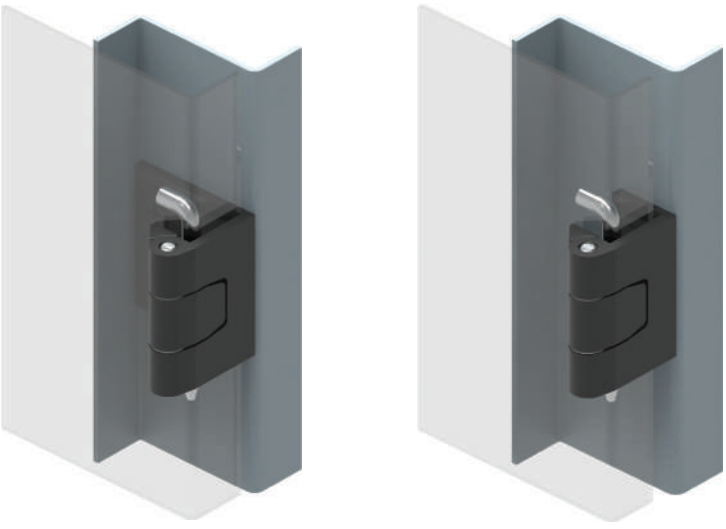
- Left and right versions available
- Maximum opening angle 180°
- Special cut out is necessary for cabinet door
- Stainless steel spacers are used between the hinge parts
- Suitable for 25 mm door bend cabinets

MATERIAL

BODY: Zamak DIN-EN 1774-ZnAl4Cu1
PIN: Steel

FINISH

Chrome plated or black coated



Hinge Rotation Angle



Note: Bolts are not supplied

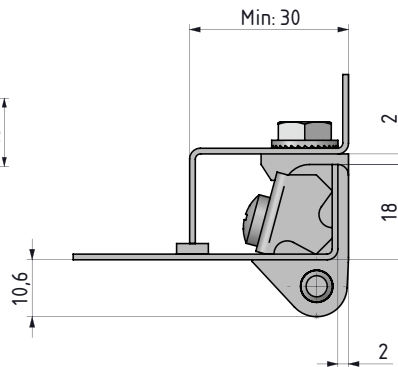
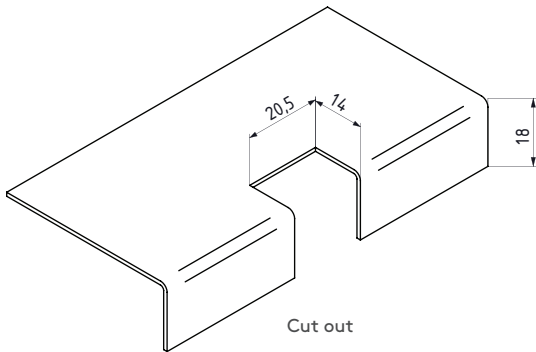
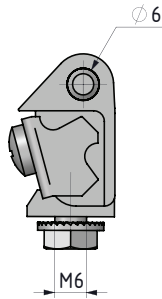
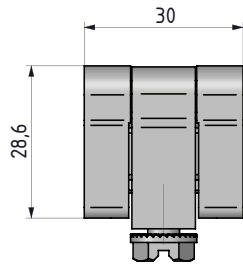
MATERIAL	M	FINISH	F
Zamak	1	Chrome plated	1
		Black coated	2

Group Code	Material	Finish	Version
398	1	F	V



497

CORNER HINGE



- Corner hinge
- Grounding is possible

MATERIAL

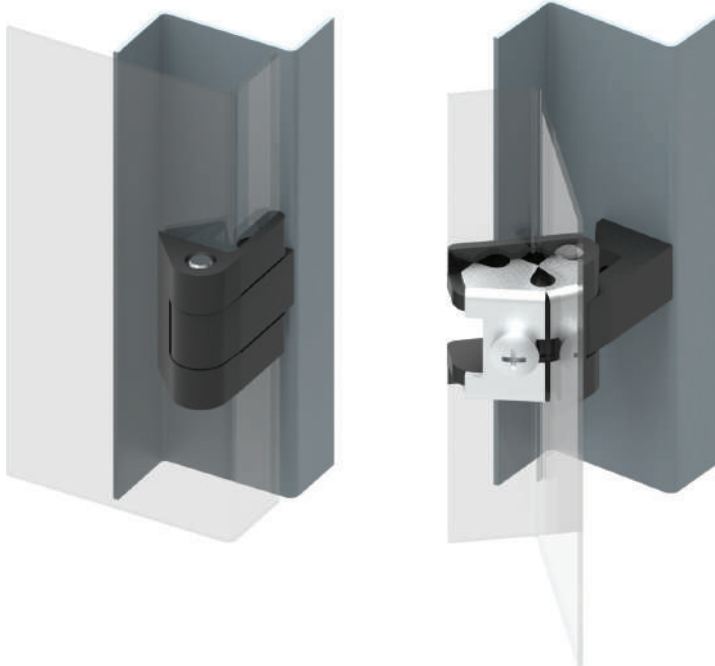
DOOR PART: Zamak DIN-EN 1774-ZnAl4Cu1

FRAME PART: Zamak DIN-EN 1774-ZnAl4Cu1

FIXING BRACKET: Steel

FINISH

Chrome plated or black coated



Hinge Rotation Angle



! Note: Bolts are supplied

MATERIAL	M	FINISH	F
Zamak	1	Chrome plated	1
		Black coated	2

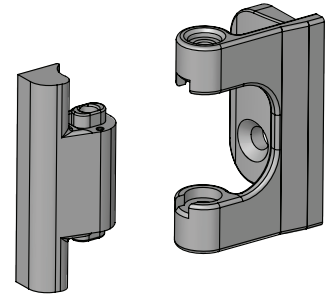
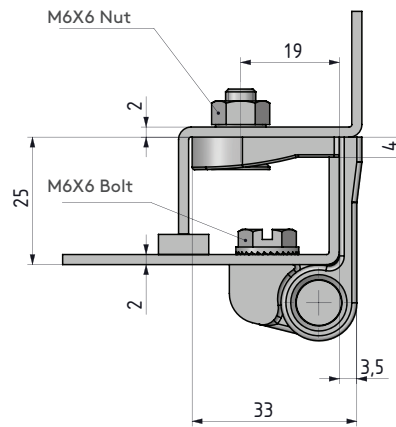
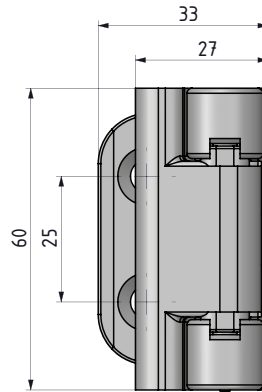
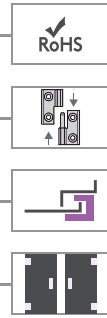
Group Code	Material	Finish
497	1	F

! Note: The listing of this/these product(s) in the catalogue does not constitute an offer to sell any of those products in Germany

CORNER HINGES

CORNER HINGE

498



- Door can be removed when opened at 90° by withdrawing pin
- Suitable for 25 mm door bends

MATERIAL

BODY: Zamak DIN-EN 1774-ZnAl4Cu1
PIN: Plastic

FINISH

Chrome plated or black coated

Hinge Rotation Angle



⚠ Note: Bolts are not supplied



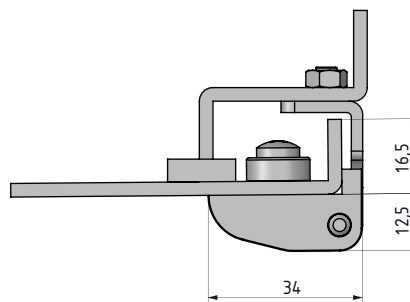
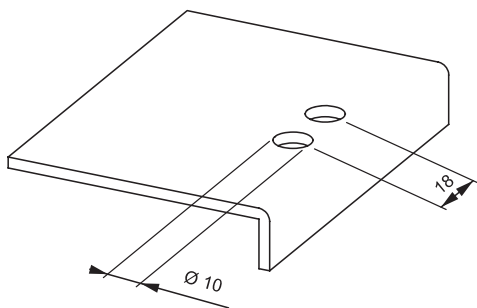
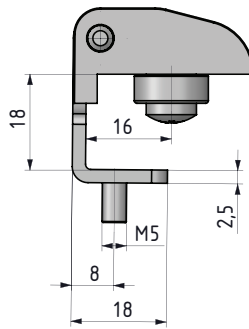
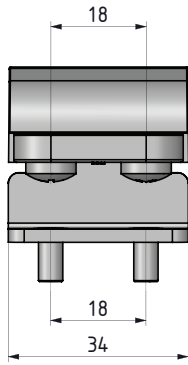
MATERIAL	M	FINISH	F
Zamak	1	Chrome plated	1
		Black coated	2

Group Code	Material	Finish
498	1	F



400

CORNER HINGE



- For fitting to corner of doors with 16.5 mm bend
- M5 stud version available. Polyamide mounting supplied for fixing body.
- Budget-priced, polyamide version available

MATERIAL

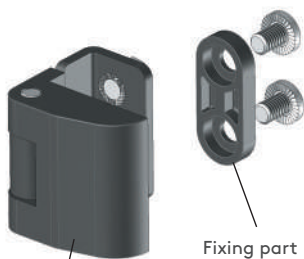
BODY : Zamak DIN-EN 1774-ZnAl4Cu1 or PA6 GFR 30

FIXED PART: Steel

PIN: Steel

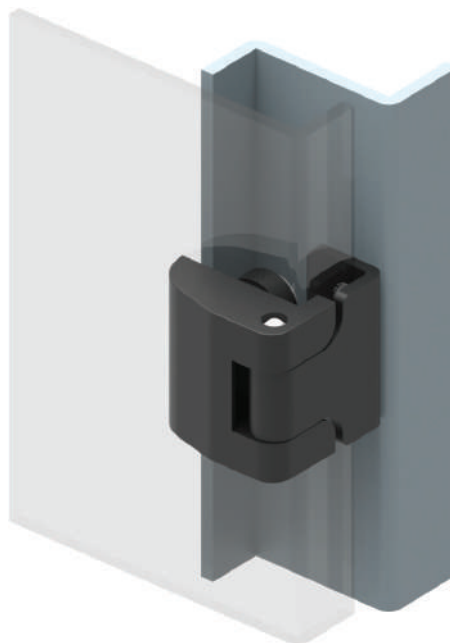
FINISH

Black coated



BODY: Zamak or plastic

Fixing part



Hinge Rotation Angle



MATERIAL	M	FINISH	F
Zamak	1	Black coated	2
Plastic	1	No finish	0

Group Code	Material	Finish	Version	Option
400	M	F	18	1

CORNER HINGES

CORNER HINGE

200



Hole



Stud



- For fitting to corner of doors with 21 mm bend
- Stud version available, using M6 studs

MATERIAL

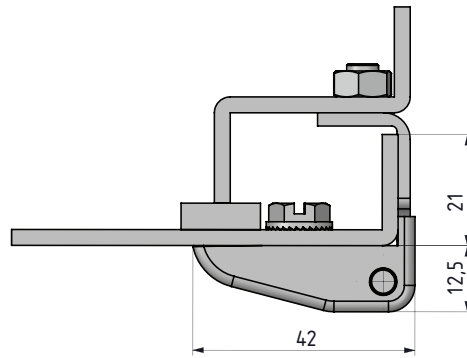
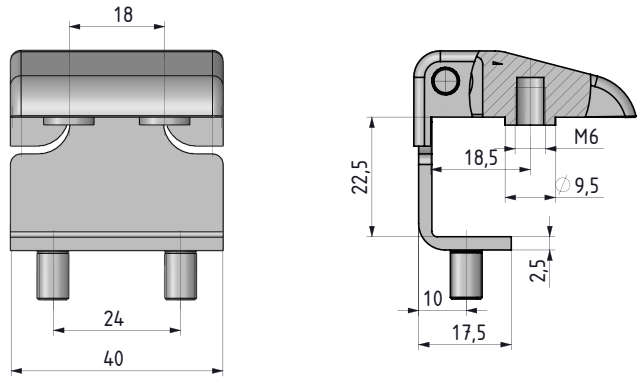
BODY: Zamak DIN-EN 1774-ZnAl4Cu1

FRAME PART: Steel

PIN: Steel

FINISH

Black coated



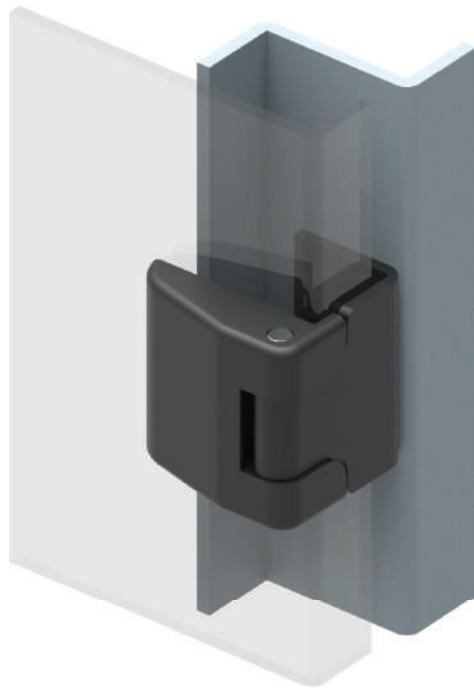
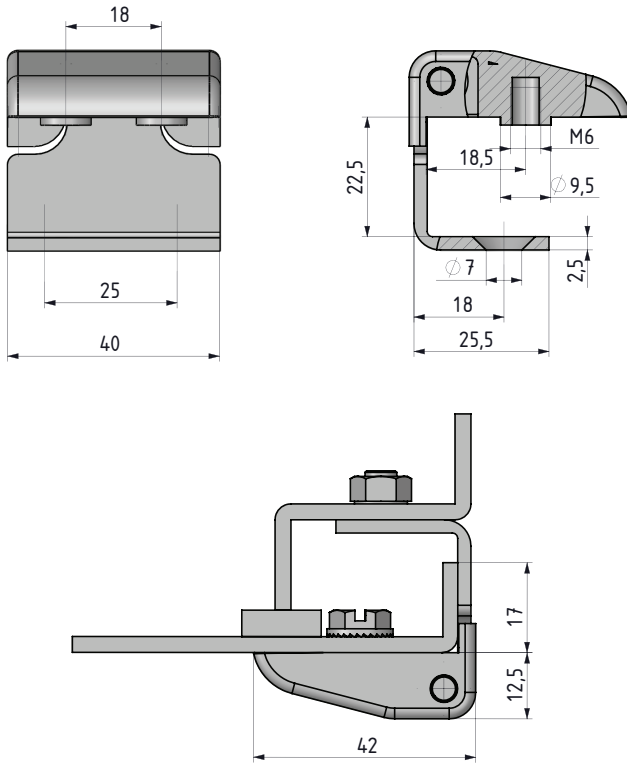
Hinge Rotation Angle



MATERIAL	M	FINISH	F
Zamak	1	Black coated	2

Group Code	Material	Finish	Version	Option
200	1	2	17	OP

OPTION	OP
Hole	0
Stud	1



200

CORNER HINGE



MATERIAL

BODY: Zamak DIN-EN 1774-ZnAl4Cu1
 FRAME PART: Steel
 PIN: Steel

FINISH

Black coated

MATERIAL	M	FINISH	F
Zamak	1	Black coated	2

Group Code	Material	Finish	Version	Option
200	1	2	25	0

OPSİYON	OP
Hole	0

Hinge Rotation Angle

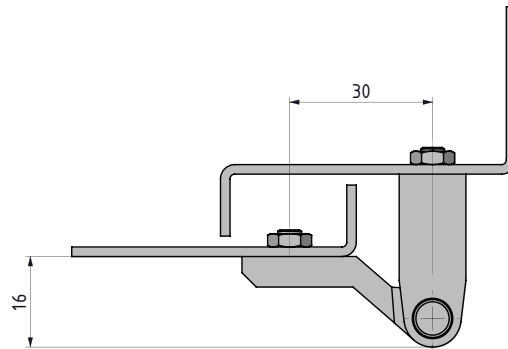
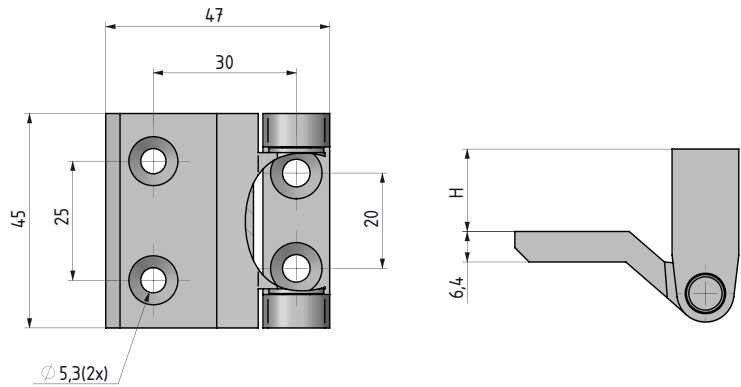


⚠ Note: Bolts are not supplied

CORNER HINGES

CORNER HINGE

100



- Designed for plain/flush-mounted and side-mounted doors
- For side-mounted doors with a bend between 0 mm and 30 mm
- Hardened steel hinge pin

MATERIAL

BODY: Zamak DIN-EN 1774-ZnAl4Cu1

PIN: Steel

BEARING: Delrin

FINISH

Black coated

H
00
02
03
05
07
10
15
17
20
25
27
30



Hinge Rotation Angle



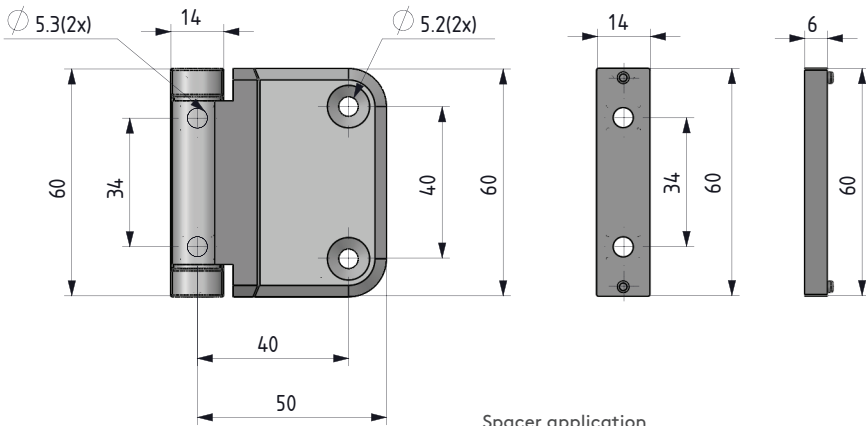
Note: Bolts are not supplied

MATERIAL	M	FINISH	F
Zamak	1	Chrome plated	1
		Black coated	2

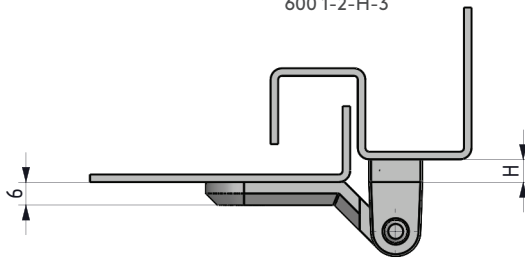
Group Code	Material	Finish	Height
100	1	F	H



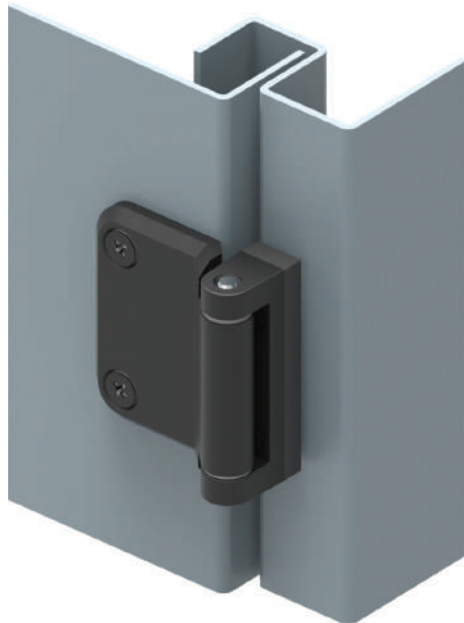
V:3



Spacer application
600 1-2-H-3



H
00
06
12
18



600 CORNER HINGE



- Stainless steel version: page 498
- For side-mounted doors with a bend of 0-18 mm
- Pin and plastic guides supplied separately

MATERIAL

BODY: Zamak DIN-EN 1774-ZnAl4Cu1
 PIN: Steel
 BEARING: Delrin

FINISH

Black coated

MATERIAL	M	FINISH	F
Zamak	1	Black coated	2

Group Code	Material	Finish	Height	Version
600	1	2	H	3

Hinge Rotation Angle

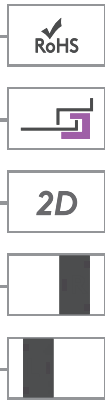


⚠ Note: Bolts are not supplied

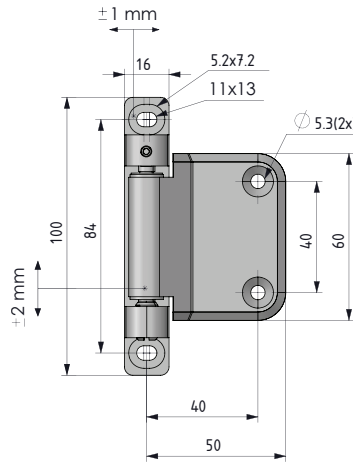
CORNER HINGES

HVAC HINGE (2D)

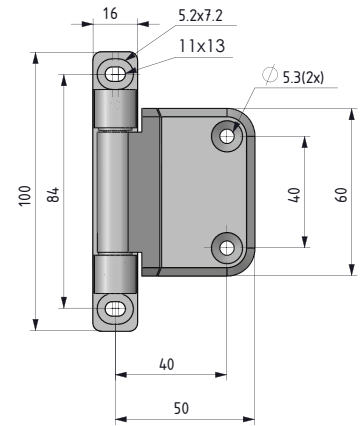
600



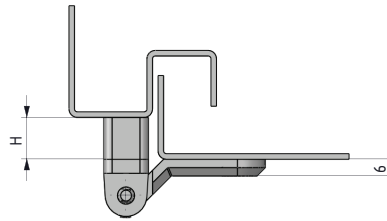
V:1
2D Adjustable



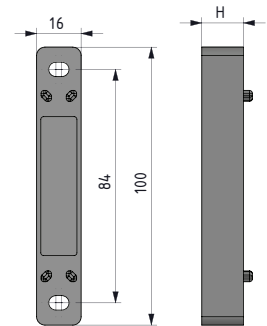
V:2



Spacer application



H
00
03
05
10
15



Spacer

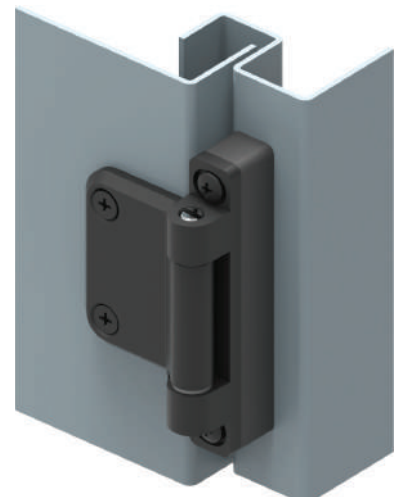
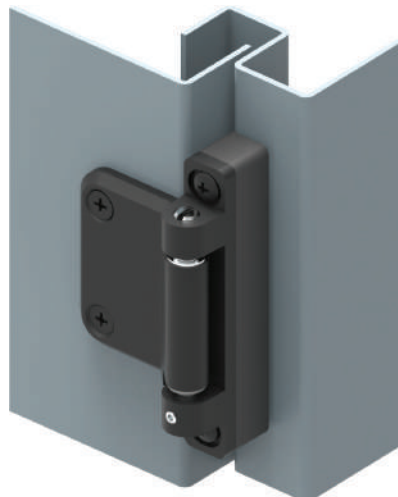
- Hinge supplied pre-assembled to decrease labour costs
- Two-dimensional door adjustments possible
- Axial adjustment is ± 2 mm. Radial adjustment is ± 1 mm

MATERIAL

BODY: Zamak DIN-EN 1774-ZnAl4Cu1
PIN: Steel
BEARING: Delrin

FINISH

Black coated



Hinge Rotation Angle

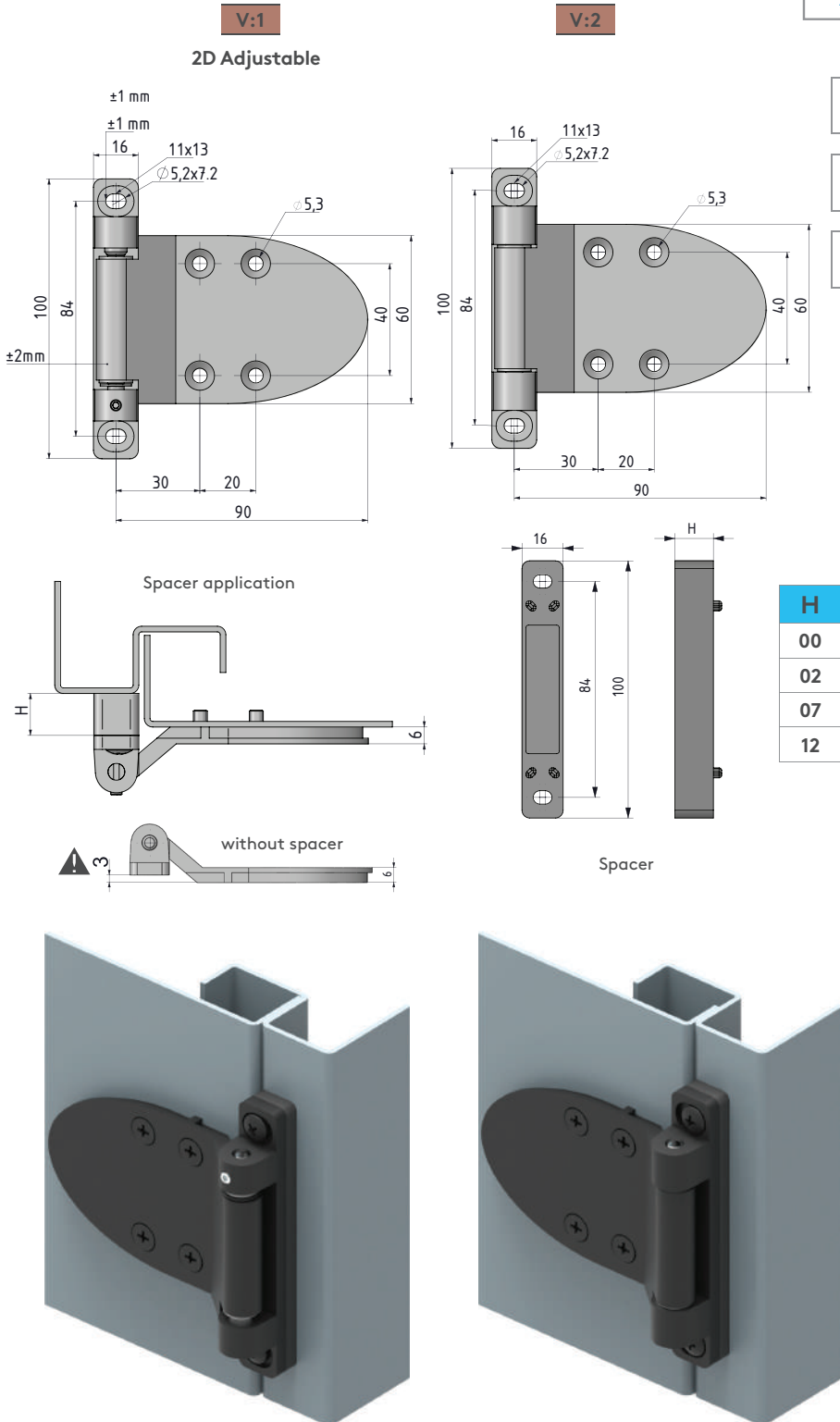


MATERIAL	M	FINISH	F
Zamak	1	Black coated	2

DOOR DIRECTION	
Right hand	001
Left hand	002

⚠ Note: Bolts are not supplied

Group Code	Material	Finish	Height	Version	Door Direction
600	1	2	H	V	



700 HVAC HINGE (2D)



- Hinge supplied pre-assembled to decrease labour costs
- Two-dimensional door adjustments possible
- Axial adjustment is ± 2 mm. Radial adjustment is ± 1 mm

MATERIAL
 BODY: Zamak DIN-EN 1774-ZnAl4Cu1
 PIN: Steel
 BEARING: Delrin

FINISH
 Black coated

MATERIAL	M	FINISH	F
Zamak	1	Black coated	2

DOOR DIRECTION	
Right hand	001
Left hand	002

Hinge Rotation Angle



⚠ Note: Bolts are not supplied

Group Code	Material	Finish	Height	Version	Door Direction
700	1	2	H	V	



355



356-359



360



361



361



363



364



365



366



367



368-369



370



371



372



373



374



375



376-377



378



379



380



381



382

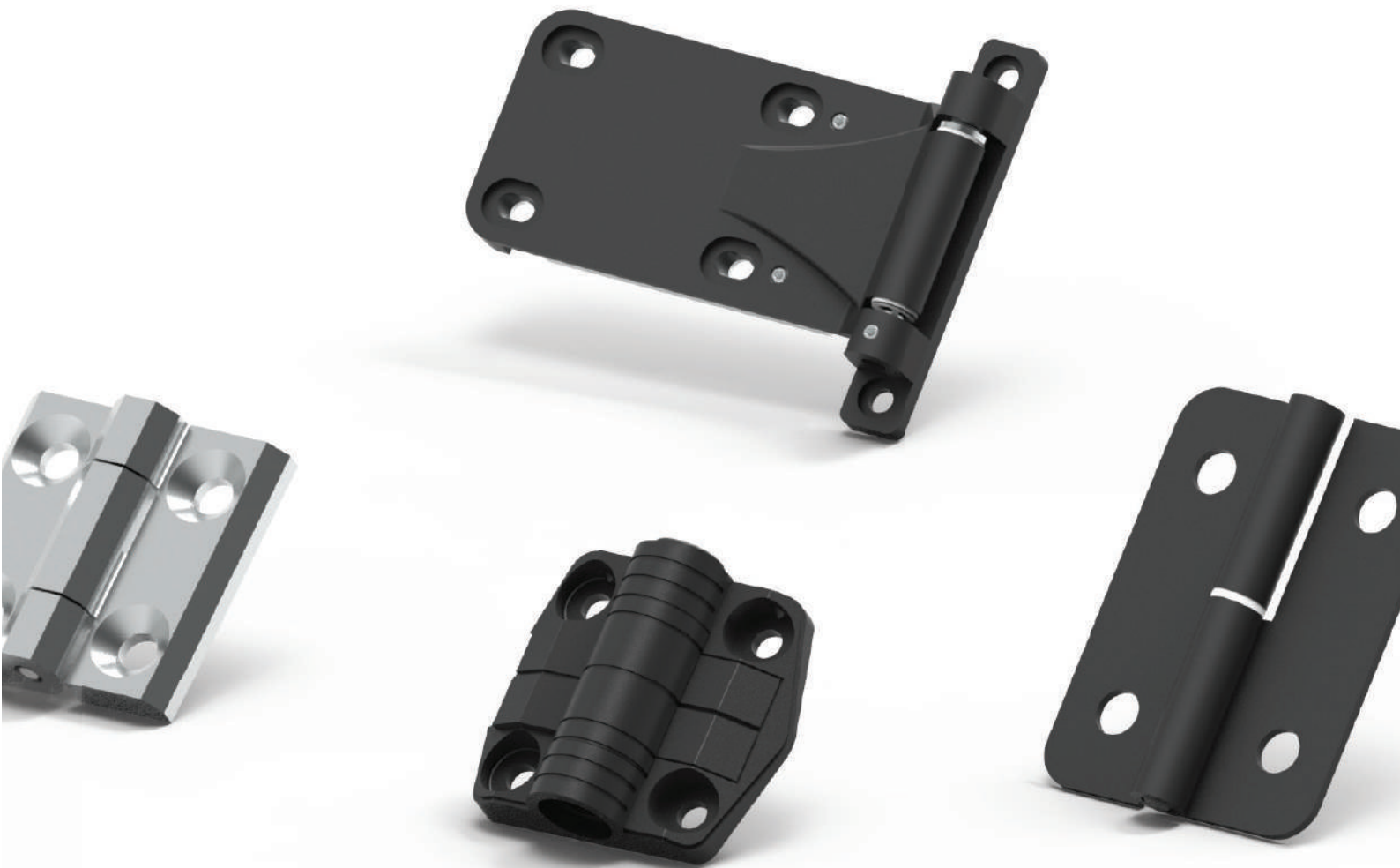


NEW

383



384



FLAT HINGES

352-385

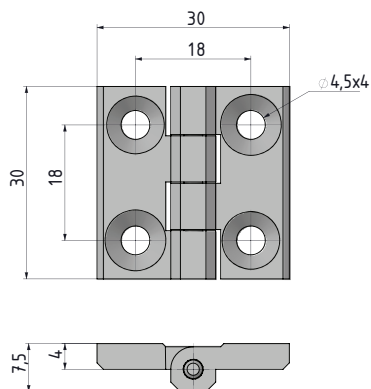






1299

MINI LEAF HINGE



- Stainless steel version: page 498
- Generally used for plain/small flush mounted doors.
- Opening angle is 270°

MATERIAL

BODY: Zamak DIN-EN 1774-ZnAl4Cu1
 PIN: Stainless Steel



MATERIAL	M	FINISH	F
Zamak	1	Chrome plated	1
		Black coated	2

Group Code	Material	Finish
1299	1	F

Hinge Rotation Angle



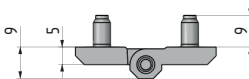
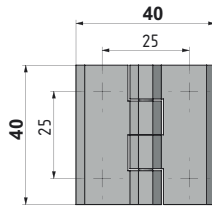
FLAT HINGES

LEAF HINGE

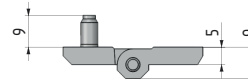
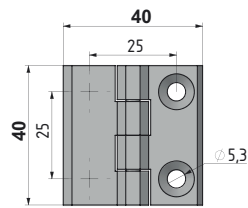
299



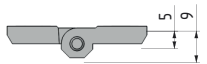
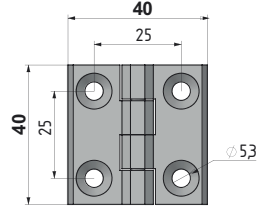
V:1



V:2



V:3



- Stainless steel version: page 500
- Generally used for plain/flush mounted doors
- Stud versions fitted with M5 x 8.5 mm threaded stud
- Stainless steel (AISI 304) hinge pin.
- Maximum hinge rotation 270°

MATERIAL

BODY: Zamak DIN-EN 1774-ZnAl4Cu1
 PIN: Stainless Steel

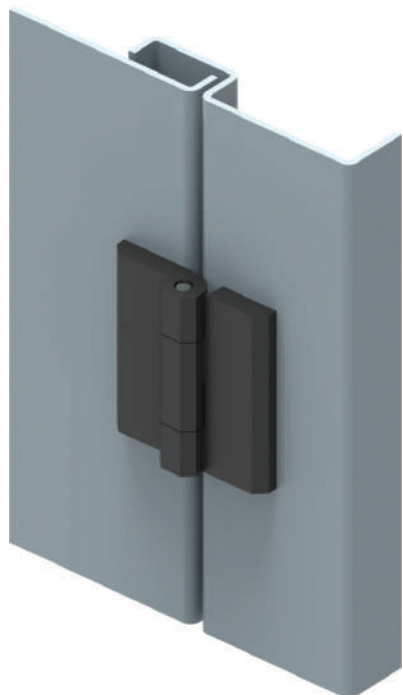
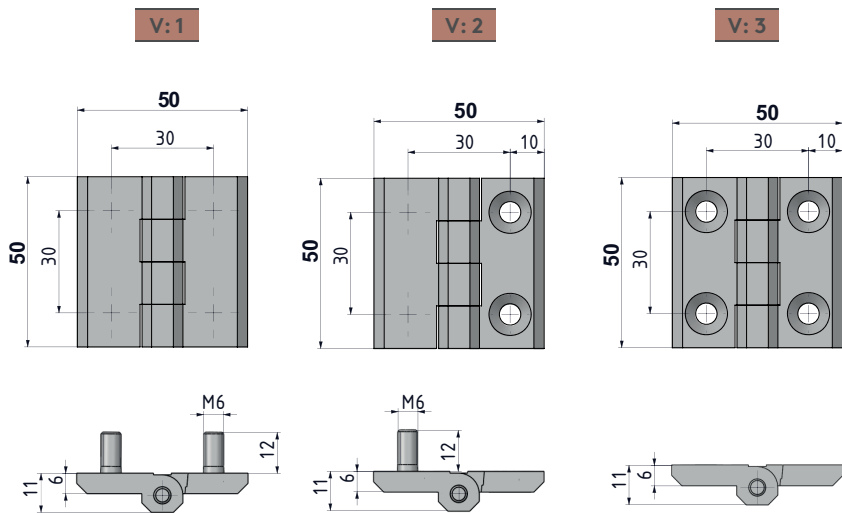


Hinge Rotation Angle



MATERIAL	M	FINISH	F
Zamak	1	Chrome plated	1
		Black coated	2
Plastic	2	No finish	0

Group Code	Material	Finish	Version
299	M	F	V



199

LEAF HINGE



- Generally used for plain/flush-mounted doors
- Stud versions fitted with M6 x 12 mm threaded stud
- Stainless steel (AISI 304) hinge pin.
- Maximum hinge rotation 270°

MATERIAL

BODY: Polyamide DIN-EN ISO 1043-1 PA 6 GFR 30
 PIN: Stainless Steel

MATERIAL	M	FINISH	F
Plastic	2	No finish	0

Group Code	Material	Finish	Version
199	2	0	V

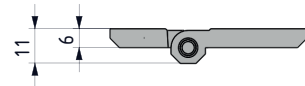
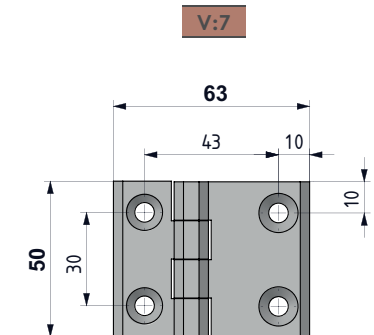
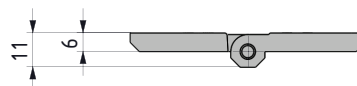
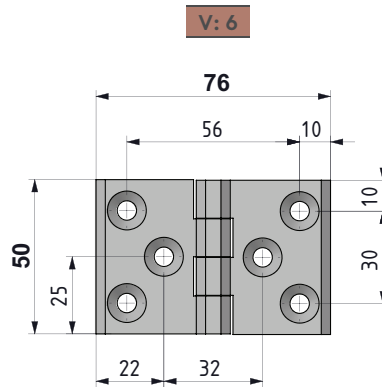
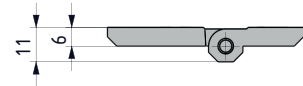
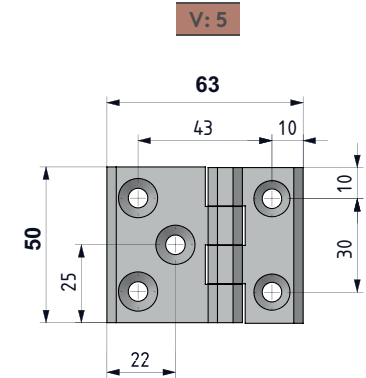
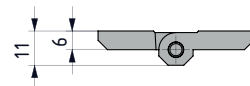
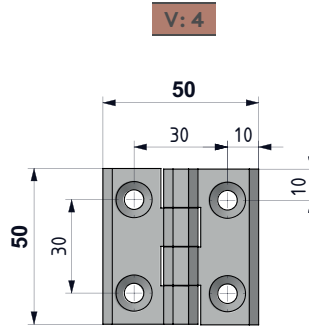
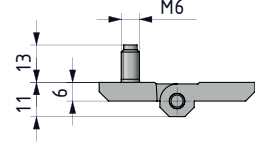
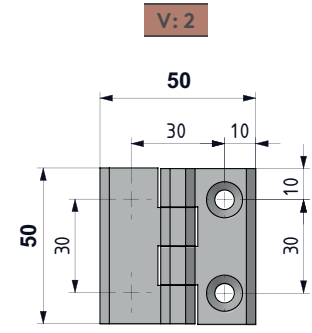
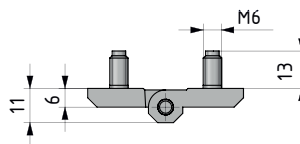
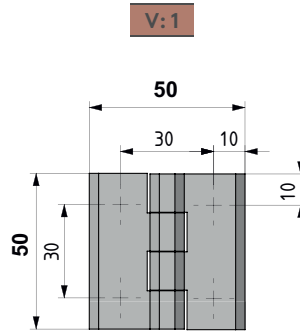
Hinge Rotation Angle



FLAT HINGES

LEAF HINGE

099



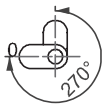
- Stainless steel version page 500,502
- Generally used for plain/flush-mounted doors
- Stud versions fitted with M6 x 12 mm threaded stud
- Stainless steel (AISI 304) hinge pin.
- Maximum hinge rotation 270°
- Available in three sizes, hole or stud fixing:
 - 50 mm x 50 mm
 - 50 mm x 63 mm
 - 50 mm x 76 mm

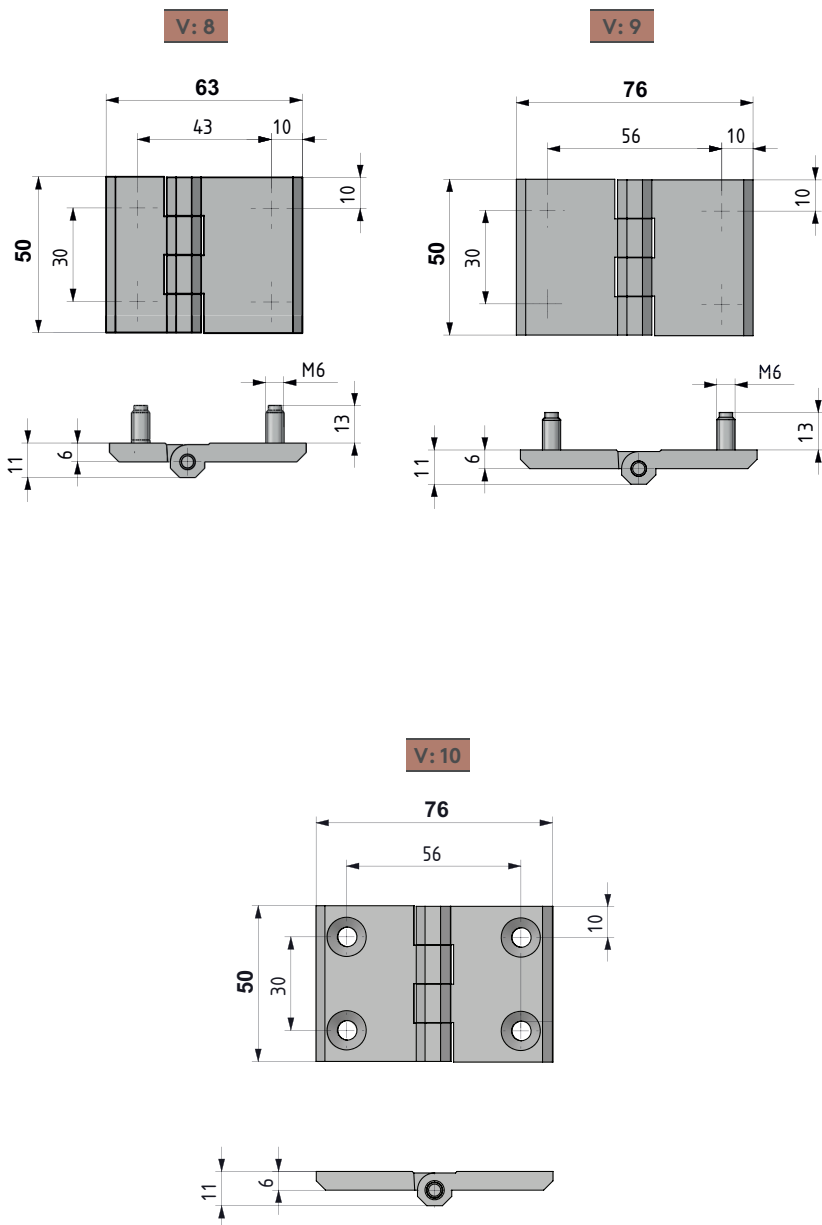
MATERIAL

BODY: Zamak DIN-EN 1774-ZnAl4Cu1

PIN: Stainless Steel

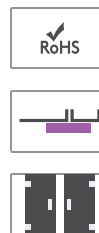
Hinge Rotation Angle





099

LEAF HINGE



MATERIAL

BODY: Zamak DIN-EN 1774-ZnAl4Cu1
PIN: Stainless Steel

MATERIAL	M	FINISH	F
Zamak	1	Chrome plated	1
		Black coated	2

Group Code	Material	Finish	Version
099	1	F	V

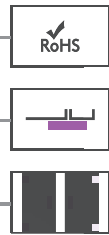
Hinge Rotation Angle



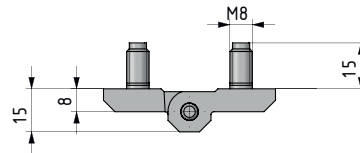
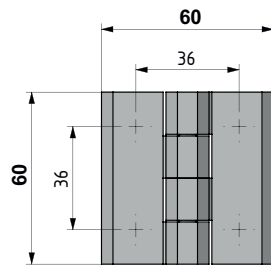
FLAT HINGES

LEAF HINGE

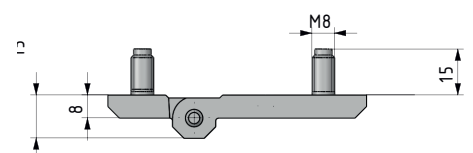
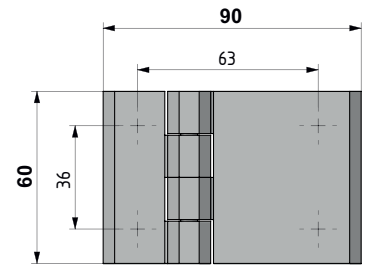
399



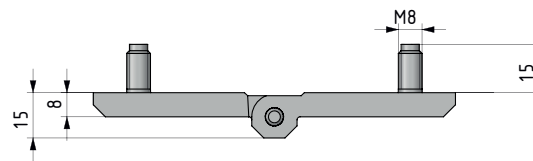
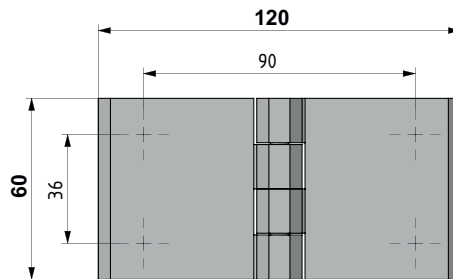
V:1



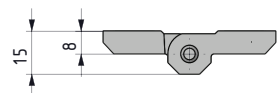
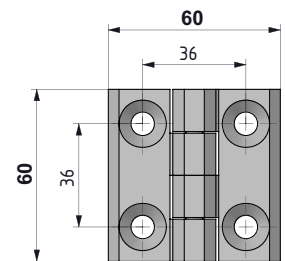
V:2



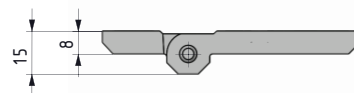
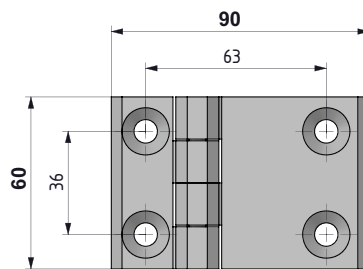
V:3



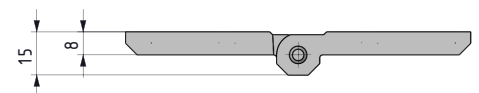
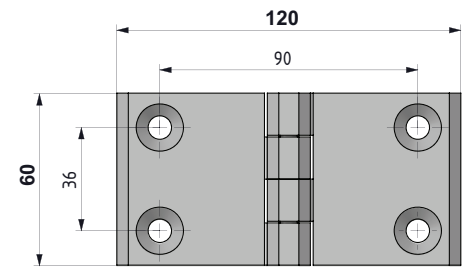
V:4



V:5



V:6



- Stainless steel version page 501,503
- Generally used for plain/flush-mounted, isolated heavy doors
- Stud versions fitted with M8 x 14 mm threaded stud
- Stainless steel (AISI 304) hinge pin
- Available in three sizes, hole or stud fixing:
 - 60 mm x 60 mm
 - 60 mm x 90 mm
 - 60 mm x 120 mm

MATERIAL

BODY: Zamak DIN-EN 1774-ZnAl4Cu1
PIN: Stainless Steel

Hinge Rotation Angle



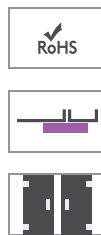
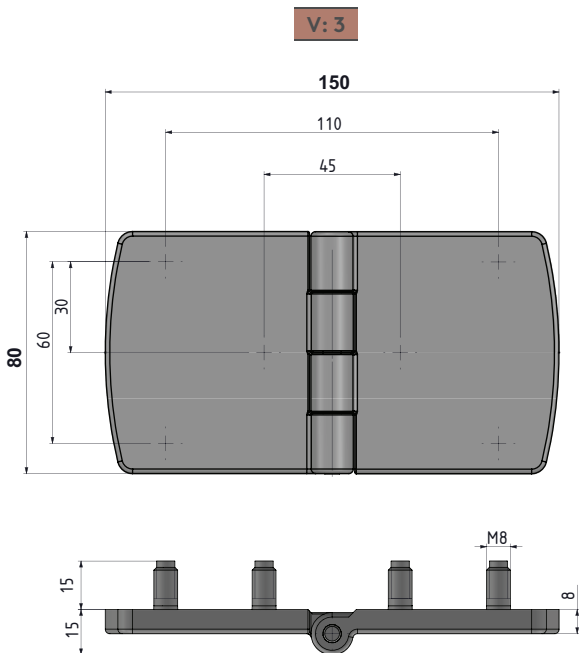
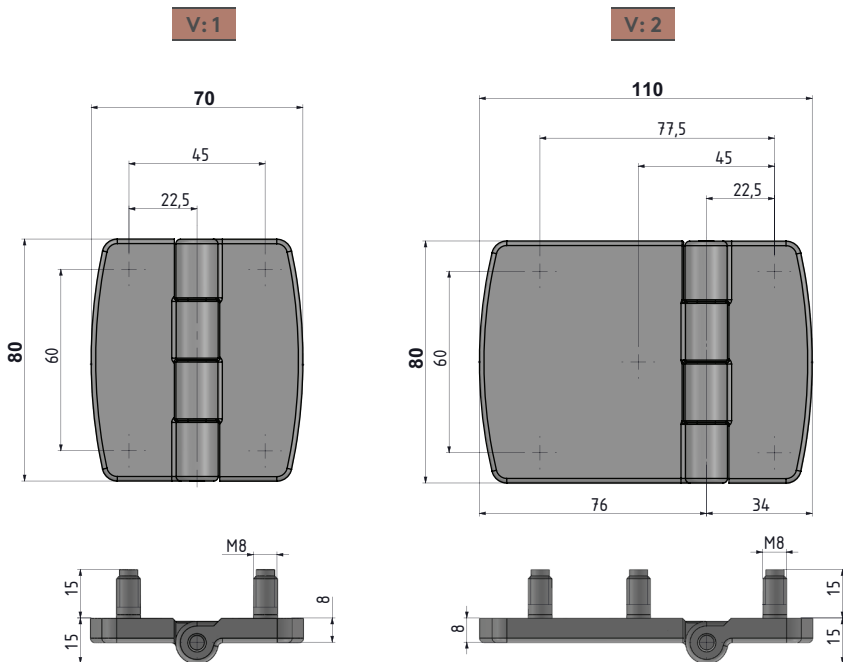
MATERIAL	M	FINISH	F
Zamak	1	Chrome plated	1
		Black coated	2

Group Code	Material	Finish	Version
399	1	F	V



1399

LEAF HINGE



- Generally used for plain/flush-mounted, isolated, heavy doors
- Stud versions fitted with M8 x 14 mm threaded stud
- Stainless steel (AISI 304) hinge pin.
- Available in three sizes, stud fixing:
 - 80 mm x 70 mm
 - 80 mm x 110 mm
 - 80 mm x 150 mm

MATERIAL
 BODY: Zamak DIN-EN 1774-ZnAl4Cu1
 PIN: Stainless Steel

MATERIAL	M	FINISH	F
Zamak	1	Chrome plated	1
		Black coated	2

Group Code	Material	Finish	Version
1399	1	F	V

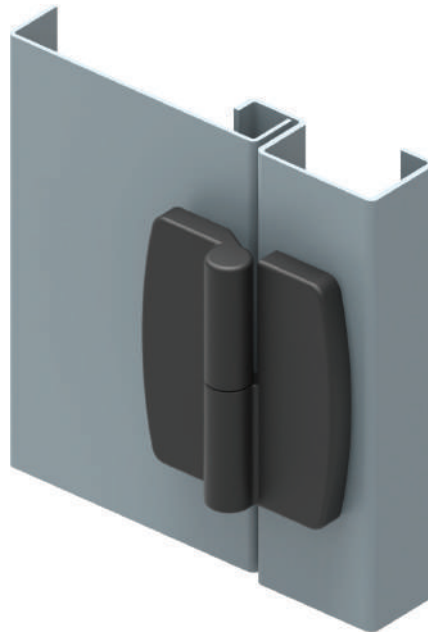
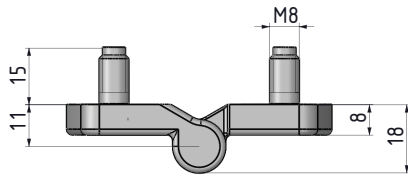
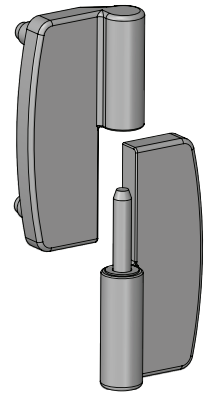
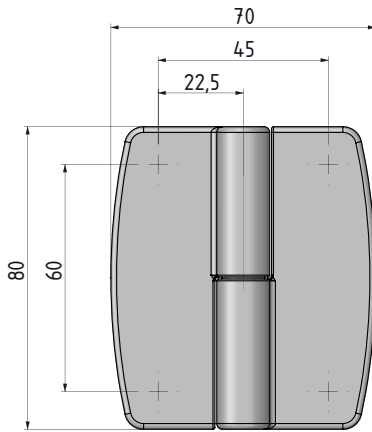
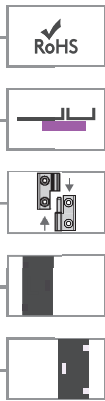
Hinge Rotation Angle



FLAT HINGES

LIFT-OFF HINGE

1699



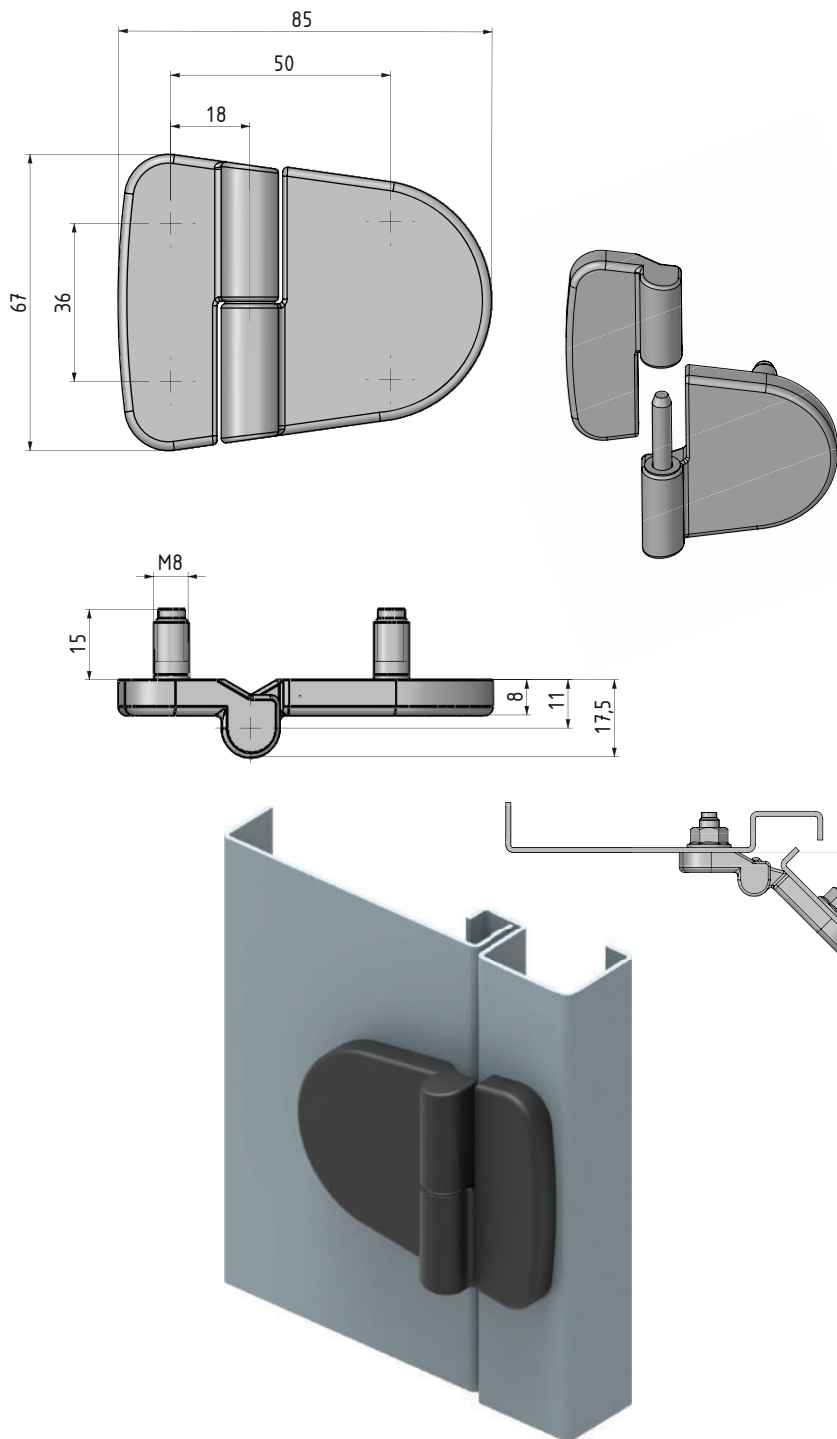
- Concealed mounting-screws prevent external access to hinge
- Designed for plain/flush-mounted doors
- Suitable for left- and right-hand applications

MATERIAL
 BODY: Zamak DIN-EN 1774-ZnAl4Cu1
 PIN: Stainless Steel



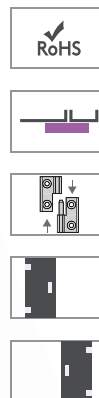
MATERIAL	M	FINISH	F	DOOR DIRECTION	
Zamak	1	Chrome plated	1	Right hand	001
		Black coated	2	Left hand	002

Group Code	Material	Finish	Version	Door Direction
1699	1	F	1	



1499

LIFT-OFF HINGE



- Concealed mounting screws prevent external access to hinge
- Design for plain/flush-mounted doors
- Suitable for left- and right-hand applications

MATERIAL

BODY: Zamak DIN-EN 1774-ZnAl4Cu1
PIN: Stainless Steel

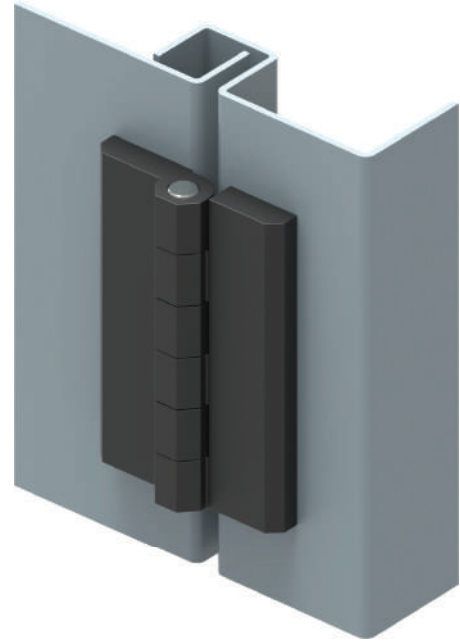
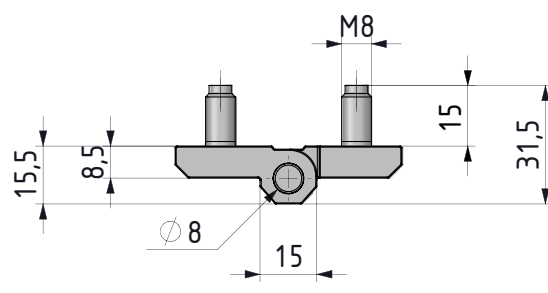
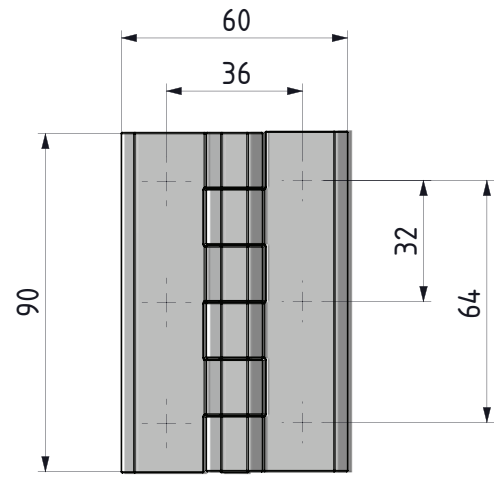
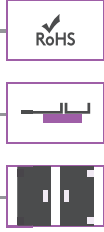
MATERIAL	M	FINISH	F	DOOR DIRECTION	
Zamak	1	Chrome plated	1	Right hand	001
		Black coated	2	Left hand	002

Group Code	Material	Finish	Door Direction
1499	1	F	

FLAT HINGES

LEAF HINGE

900

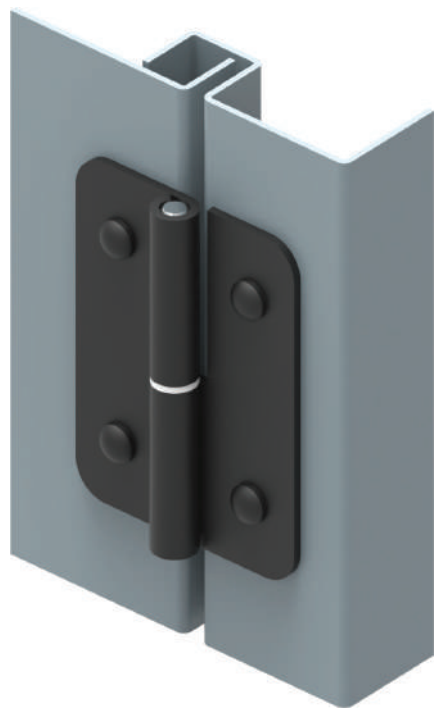
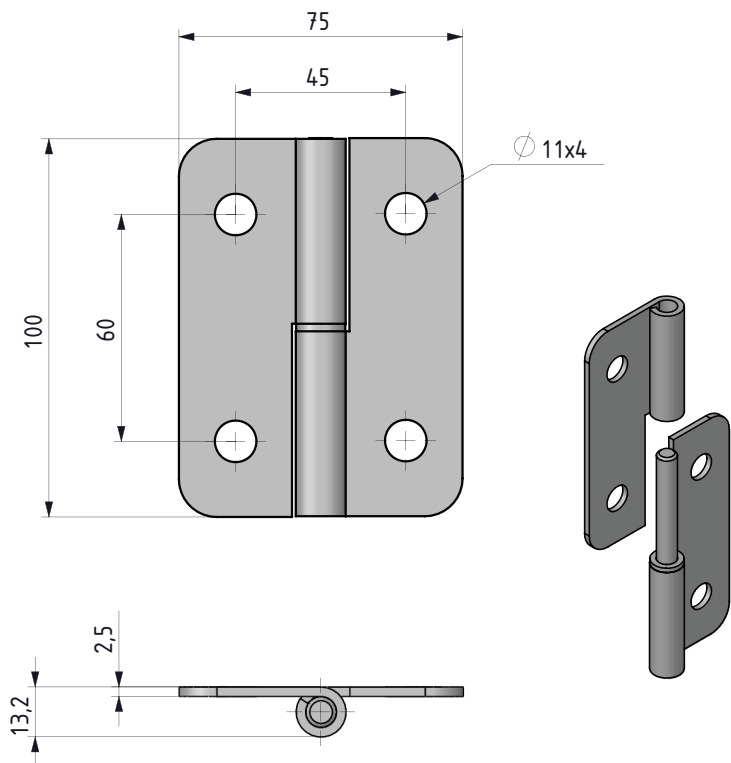


- Generally used for plain/flush-mounted doors and insulated panels
- Provides strong fixing by 6 pcs. M8 bolts
- Opening angle 270°

MATERIAL
 BODY: Zamak DIN-EN 1774-ZnAl4Cu1
 PIN: Stainless Steel
 SCREW: Steel

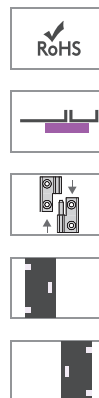
MATERIAL	M	FINISH	F
Zamak	1	Chrome plated	1
		Black coated	2

Group Code	Material	Finish
900	1	F



899

LIFT-OFF HINGE



- Stainless steel version: page 508
- Heavy-duty lift off hinge
- Suitable for left- and right-hand applications
- Opening angle 180°

MATERIAL

BODY: Steel
PIN: Steel

FINISH

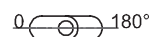
Zinc plated or black coated

MATERIAL	M	FINISH	F
Steel	6	Zinc plated	3
		Black coated	2

DOOR DIRECTION	
Right hand	001
Left hand	002

Group Code	Material	Finish	Door Direction
899	6	F	

Hinge Rotation Angle



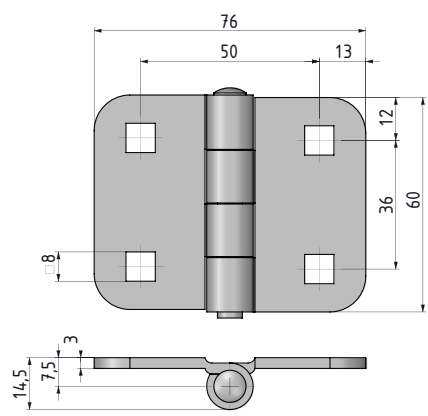
FLAT HINGES

LEAF HINGE

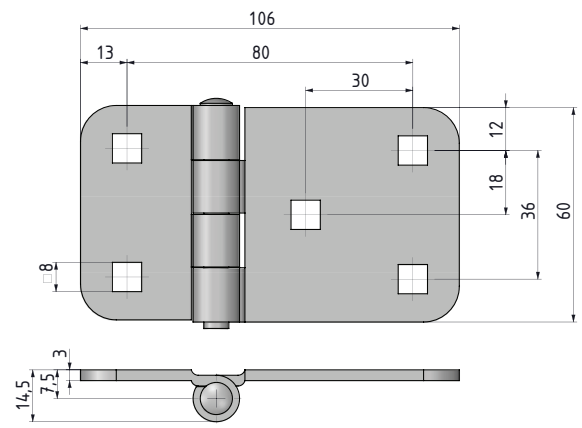
499



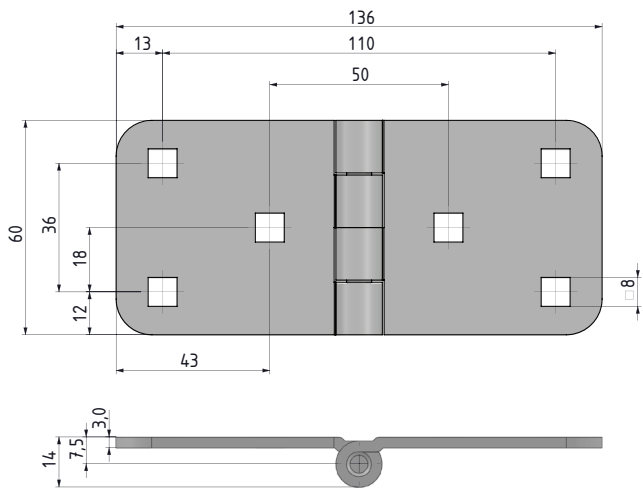
V: 1



V: 2



V: 3



- Generally used for plain/flush-mounted, isolated, heavy doors
- Steel construction provides very high resistance
- M8 x 12 mm coach bolts supplied.

MATERIAL
 BODY: Steel
 PIN: Stainless Steel

Hinge Rotation Angle



MATERIAL	M	FINISH	F
Steel	6	Zinc plated	3
		Black coated	2

Group Code	Material	Finish	Version
499	6	F	V



599

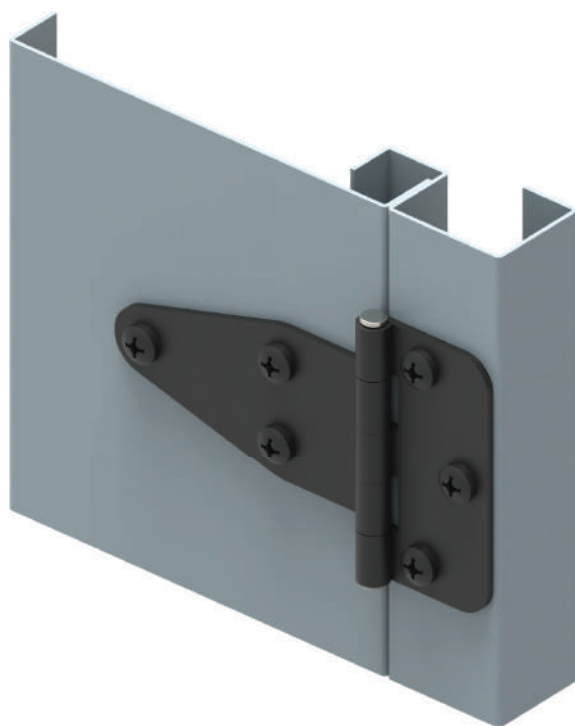
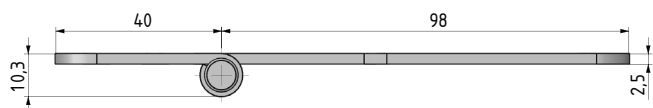
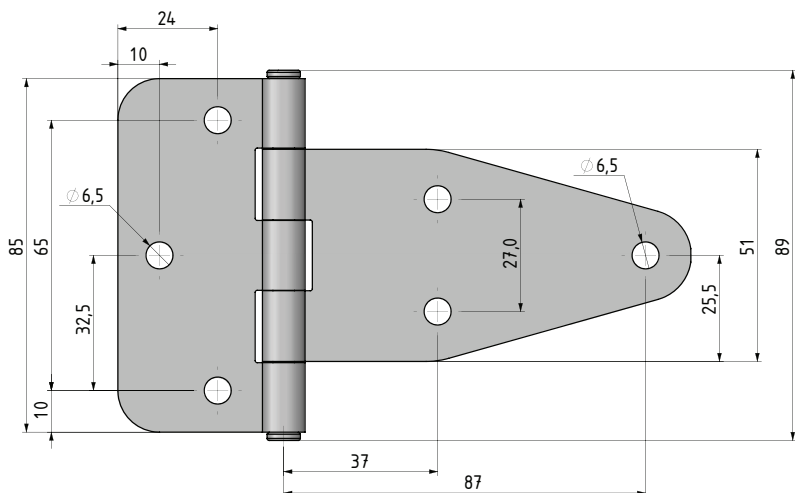
LEAF HINGE



- Stainless steel version: page 504
- Generally used for plain/flush-mounted, isolated heavy doors
- Both parts attached by screws or nuts and bolts
- Hinge-rotation angle 180°

MATERIAL

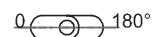
BODY: Steel
PIN: Stainless Steel



MATERIAL	M	FINISH	F
Steel	6	Zinc plated	3
		Black coated	2

Group Code	Material	Finish
599	6	F

Hinge Rotation Angle



⚠ Note: Bolts are not supplied

FLAT HINGES

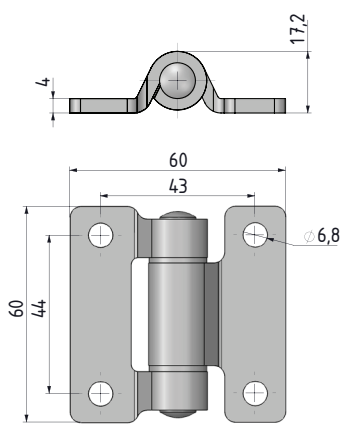
LEAF HINGE

1599

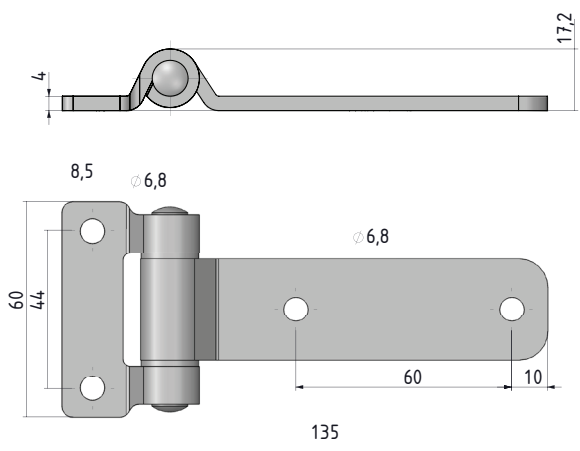


- RoHS
-
-

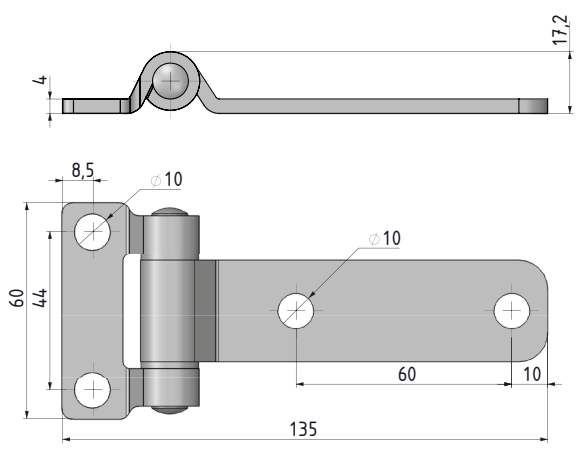
V: 1



V: 2



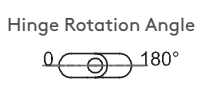
V: 3



- Stainless steel version: page 506
- Generally, used for plain/flush mounted, isolated, heavy doors.
- Both parts are attached by screws or nuts and bolts
- Hinge Rotation angle is 180°

MATERIAL
 BODY: Steel
 PIN: Stainless steel

FINISH
 Zinc plated or black coated



MATERIAL	M	FINISH	F
Steel	1	Zinc plated	3
		Black coated	2

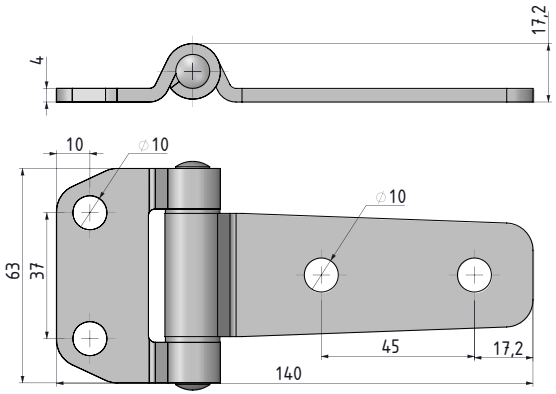
Group Code	Material	Finish	Version
1599	6	F	V



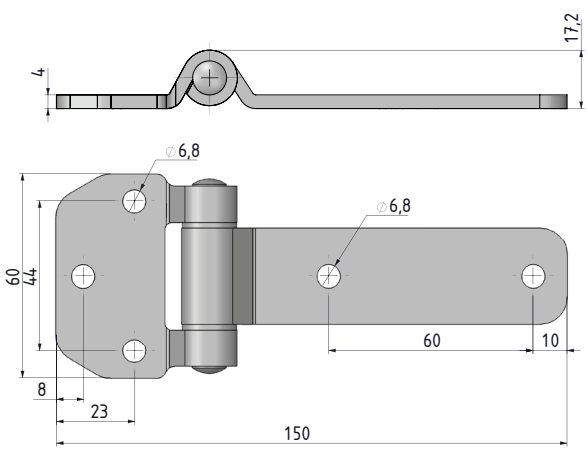
1599

LEAF HINGE

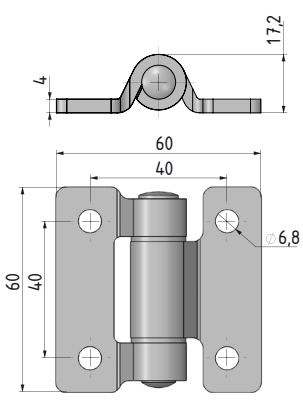
V: 4



V: 5



V: 6



- **Stainless steel version: page 507**
- Generally, used for plain/flush mounted, isolated, heavy doors.
- Both parts are attached by screws or nuts and bolts
- Hinge Rotation angle is 180°

MATERIAL

BODY: Steel
PIN: Stainless steel

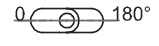
FINISH

Zinc plated or black coated

MATERIAL	M	FINISH	F
Steel	1	Zinc plated	3
		Black coated	2

Group Code	Material	Finish	Version
1599	6	F	V

Hinge Rotation Angle



⚠ Note: Bolts are not supplied

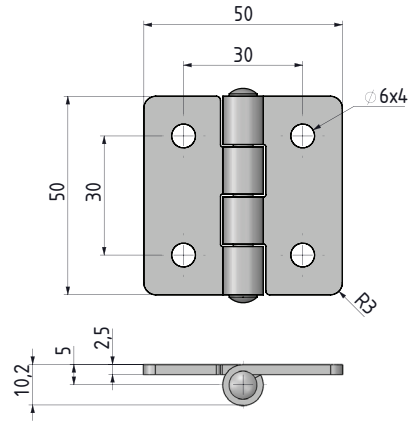
FLAT HINGES

LEAF HINGE

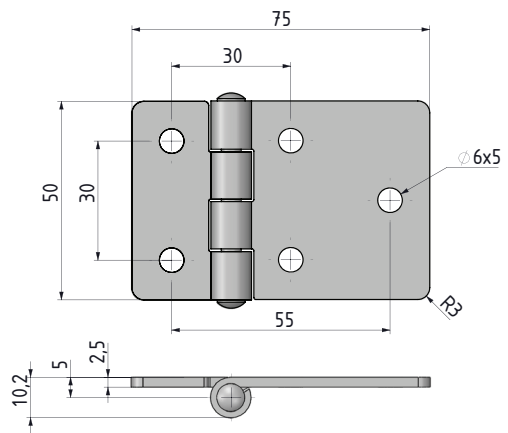
799



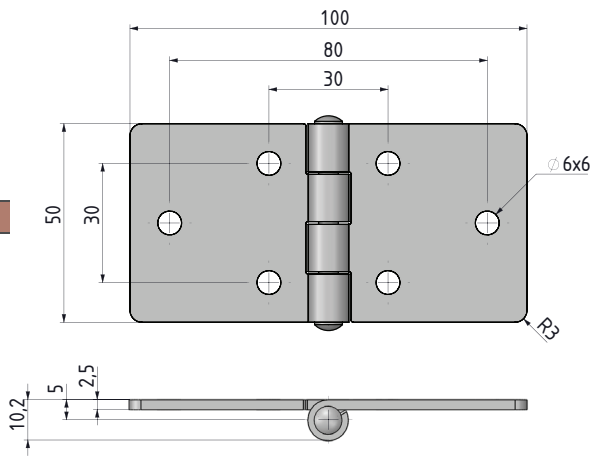
V: 1



V: 2



V: 3



- Stainless steel version: page 505
- Generally used for plain/flush-mounted, isolated, heavy doors

MATERIAL

BODY: Steel
PIN: Stainless Steel

⚠ Note: Bolts are not supplied

Hinge Rotation Angle



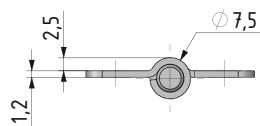
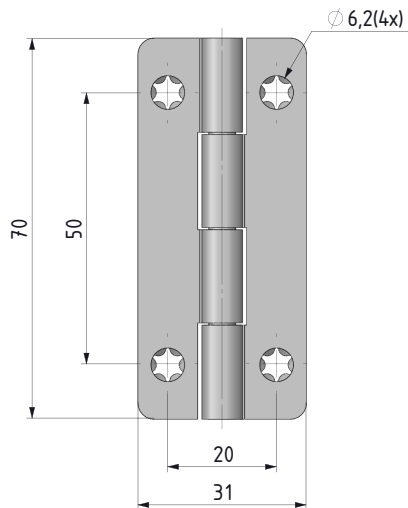
MATERIAL	M	FINISH	F
Steel	1	Zinc plated	3
		Black coated	2

Group Code	Material	Finish	Version
799	6	F	V



2899

LEAF HINGE



MATERIAL

BODY: Steel
PIN: Stainless Steel

⚠ Note: Bolts are not supplied

Hinge Rotation Angle



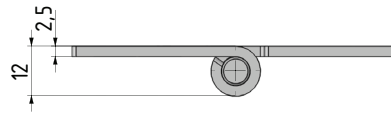
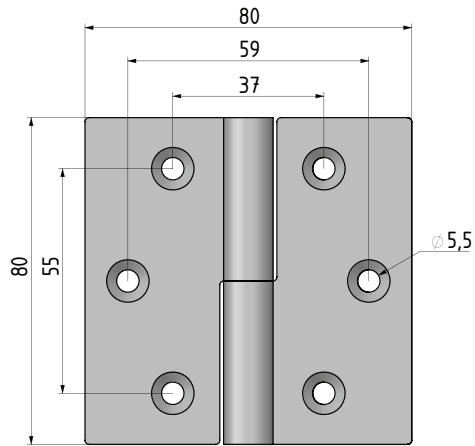
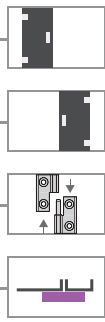
MATERIAL	M	FINISH	F
Steel	1	Zinc plated	3
		Black coated	2

Group Code	Material	Finish
2899	6	F

FLAT HINGES

LIFT-OFF HINGE

4299



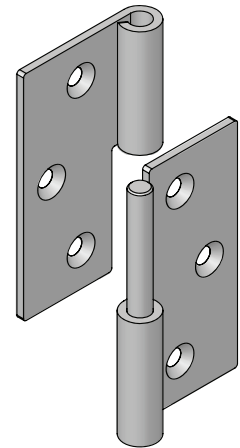
- Stainless steel version: page 494
- Designed for plain/flush-mounted doors
- Suitable for left- and right-hand applications

MATERIAL

BODY: Steel
PIN: Stainless Steel

FINISH

Zinc plated



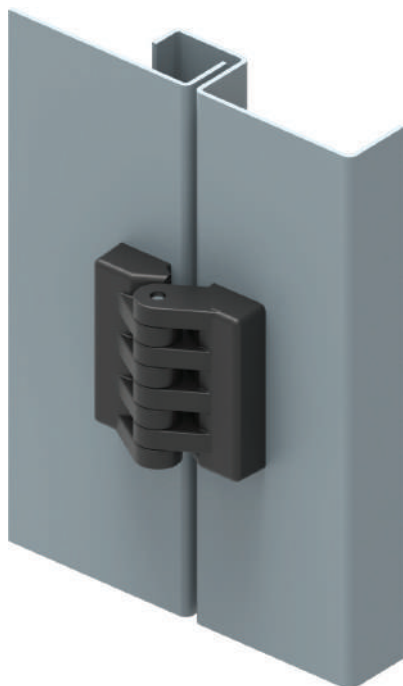
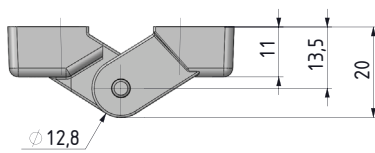
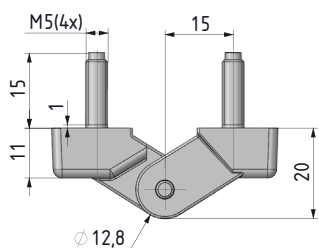
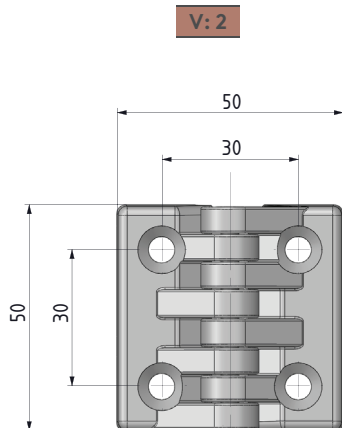
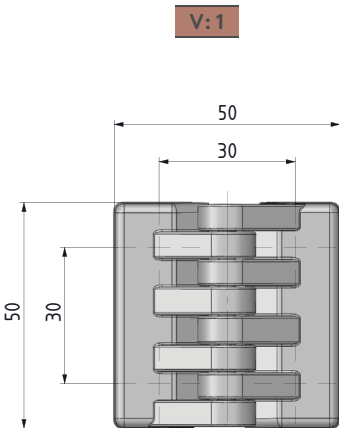
Hinge Rotation Angle



MATERIAL	M	FINISH	F
Steel	6	Zinc plated	3

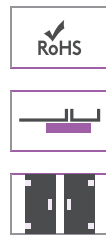
DOOR DIRECTION	
Right hand	001
Left hand	002

Group Code	Material	Finish	Door Direction
4299	6	3	



1199

LEAF HINGE



- Generally used for plain/flush-mounted doors
- With- or without-bolt options are available
- Stainless steel pin

MATERIAL

BODY: Polyamide DIN-EN ISO 1043-1 PA 6 GFR 30

PIN: Stainless Steel

MATERIAL	M	FINISH	F
Plastic	2	No finish	0

Group Code	Material	Finish	Version
1199	2	0	V

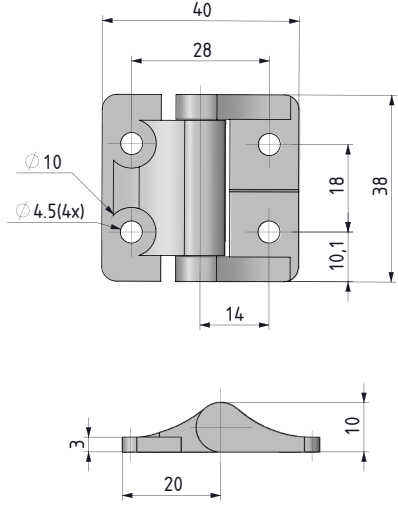
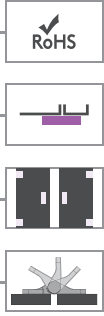
Hinge Rotation Angle



FLAT HINGES

TORQUE HINGE

2099

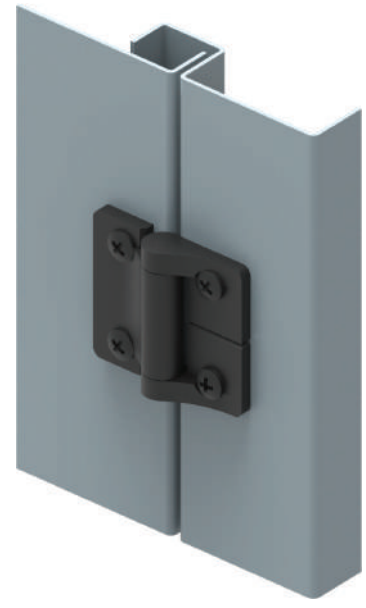
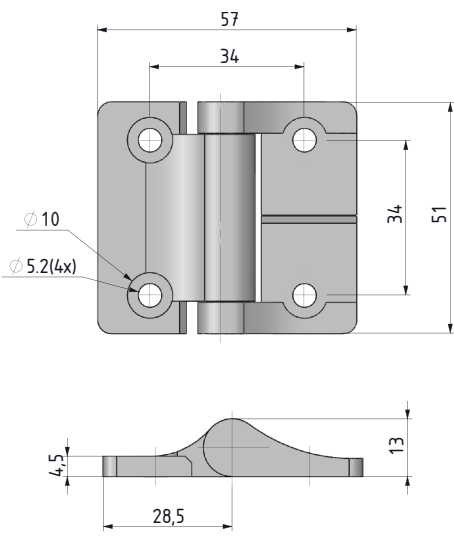
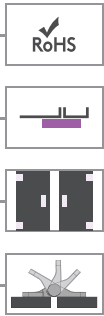


- 2.3 Nm symmetric torque
- Over 25,000 cycle life within ± 20% of static torque specification
- Suitable for left- and right-hand application
- M5 screw mounting

MATERIAL
 BODY: Zamak DIN-EN 1774-ZnAl4Cu1
 PIN: Steel

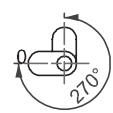
TORQUE HINGE

2199



- 3.4 Nm symmetric torque
- Over 25,000 cycle life within ± 20% of static torque specification
- Suitable left- and right-hand applications
- M5 screw mounting

Hinge Rotation Angle



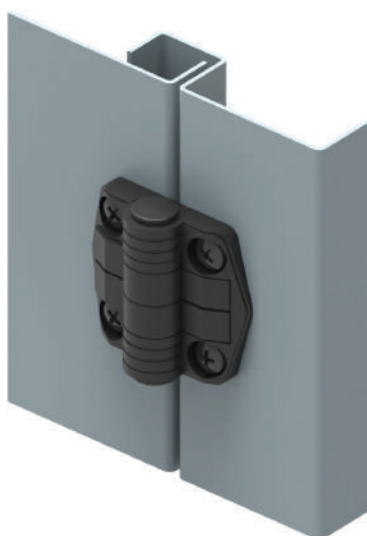
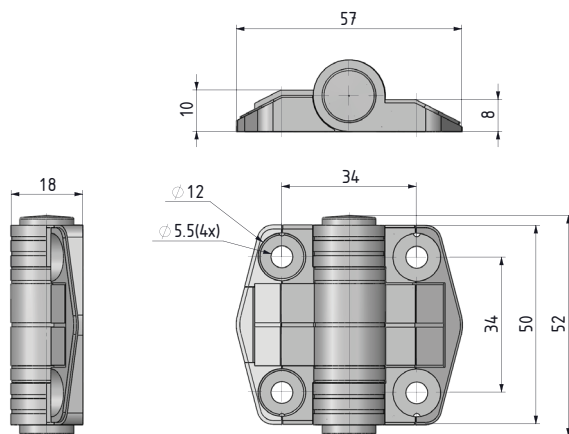
MATERIAL	M	FINISH	F
Zamak	1	Black coated	2

Group Code	Material	Finish
	1	2



2599

INDEX HINGE



- Different angle and torque is available
- Holds door open at specific degrees. 80°, 115°, 150°

MATERIAL

BODY: Polyamide DIN-EN ISO 1043-1 PA6 GFR 30
 PIN: Plastic

Position	Force (N-m)	VERSION
	No Detens	10
80°	0.7	21
	1.1	22
	1.7	23
115°	0.7	31
	1.1	32
	1.7	33
150°	0.7	41
	1.1	42
	1.7	43

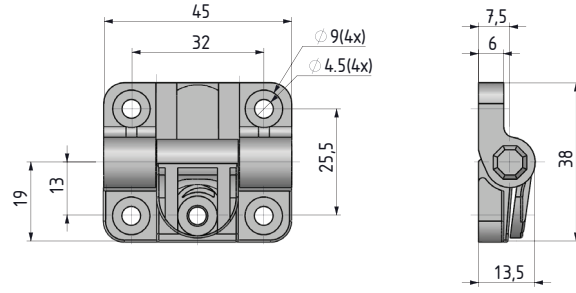
MATERIAL	M	FINISH	F
Plastic	2	No finish	0

Group Code	Material	Finish	Version
2599	2	0	V

FLAT HINGES

ADJUSTABLE TORQUE HINGE

2399



- Hinge torque can be adjusted with screw
- Provide position control
- Suitable for left- and right-hand applications
- Fixed with M4 screw

MATERIAL

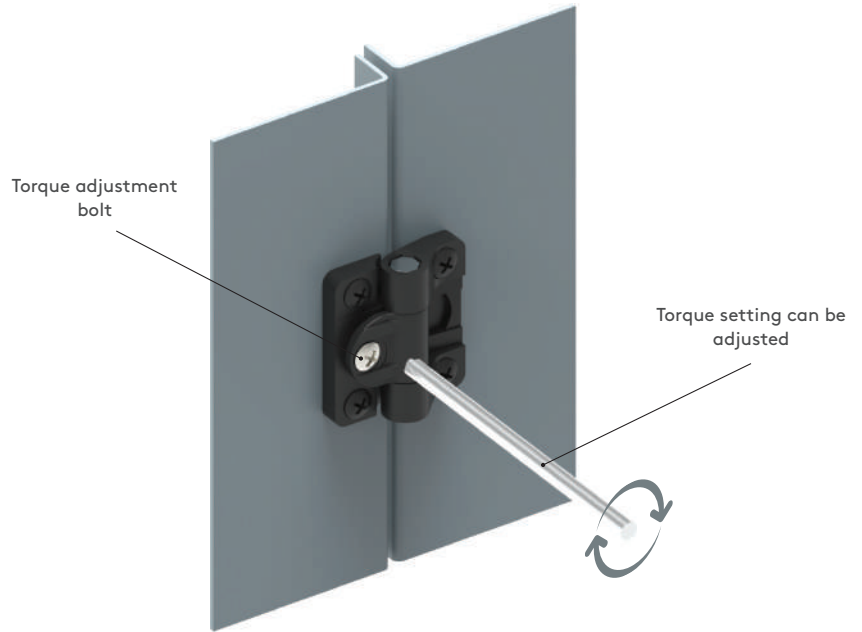
BODY: Delrin
SCREWS AND NUTS: Stainless Steel (AISI 304)

PERFORMANCE DETAILS

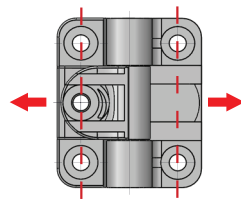
Axial load: (N)
Working load: 700
Breaking load weight: 1100
Radial load: (N)
Working load: 1400
Breaking load weight: 1800
Torque value: 0.8 N.m.
Working temperature:
- 5°C + 65°C

Fasteners:

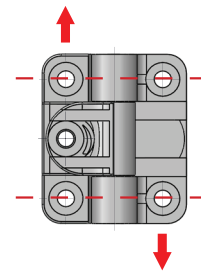
(Bolts and nuts are not supplied)
Screw and nut: M4



Axial load (N)



Radial load (N)



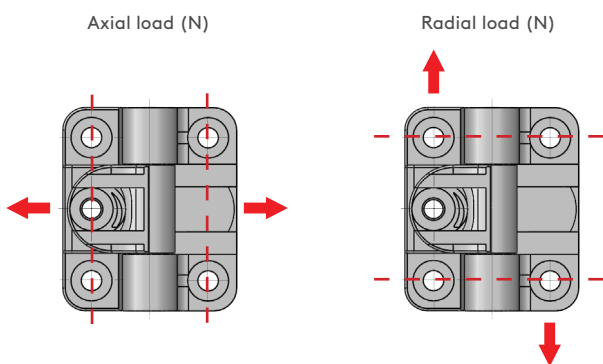
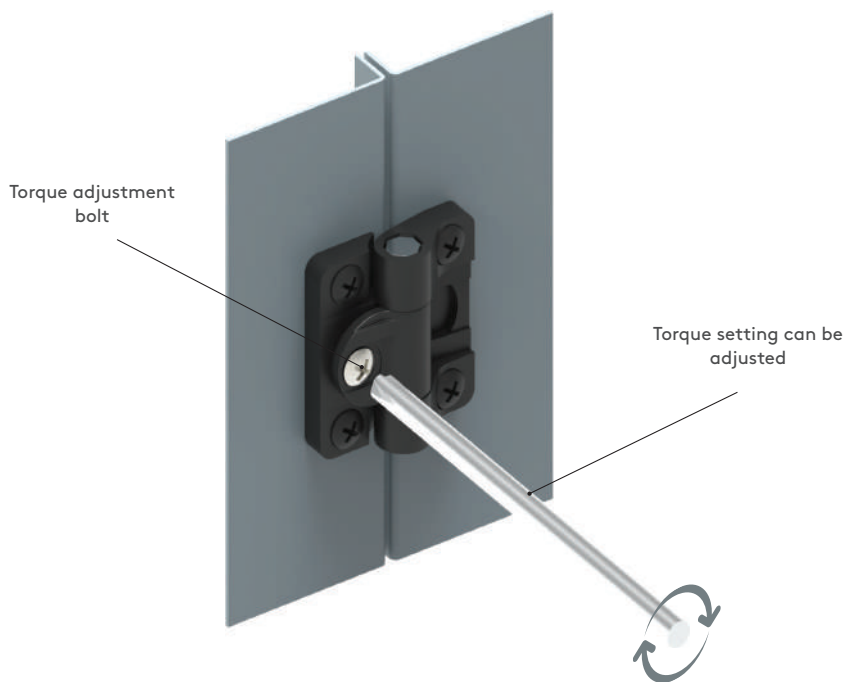
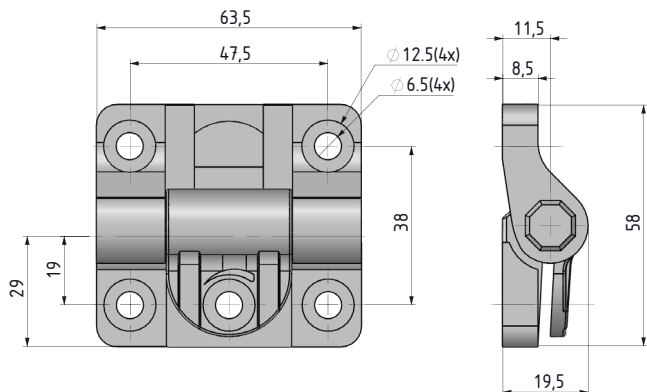
Hinge Rotation Angle



Not: Civata ve somun verilmez

MATERIAL	M	FINISH	F
Plastic	2	No finish	0

Group Code	Material	Finish
2399	2	0



2499

ADJUSTABLE TORQUE HINGE



- Hinge torque can be adjusted by screw
- Provides position control
- Suitable for left- and right-hand applications
- Fixed by M6 screw

MATERIAL

BODY: Delrin
SCREWS AND NUTS: Stainless Steel (AISI 304)

PERFORMANCE DETAILS

Axial load: (N)
Working load: 1500
Breaking load weight: 2350
Radial load: (N)
Working load: 2250
Breaking load weight: 3200
Torque value: 4 Nm
Working temperature: - 5°C + 65°C
Fasteners:
(Bolts and nut are not supplied)
Screw and nut: M6

MATERIAL	M	FINISH	F
Plastic	2	No finish	0

Group Code	Material	Finish
2499	2	0

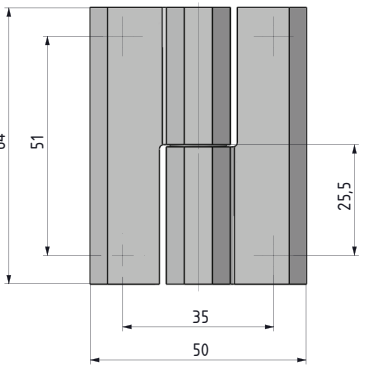
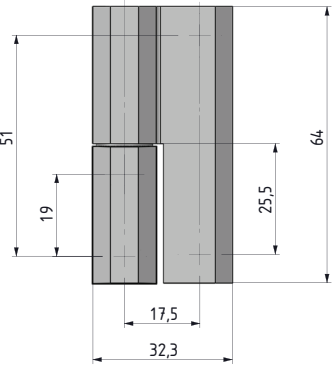
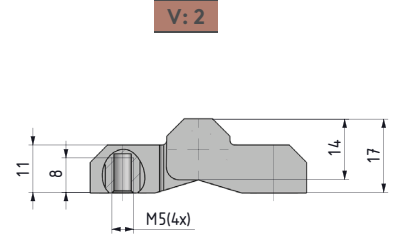
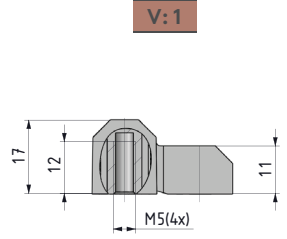
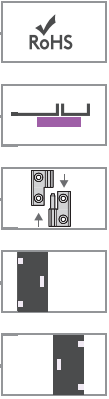
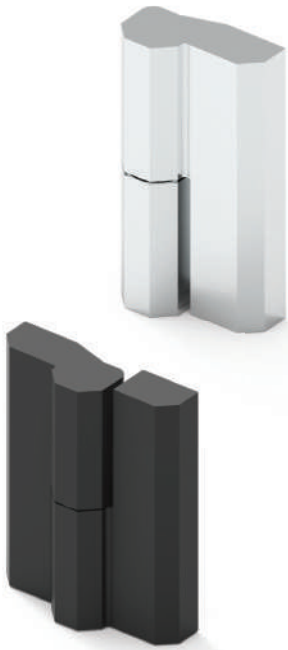
Hinge Rotation Angle



FLAT HINGES

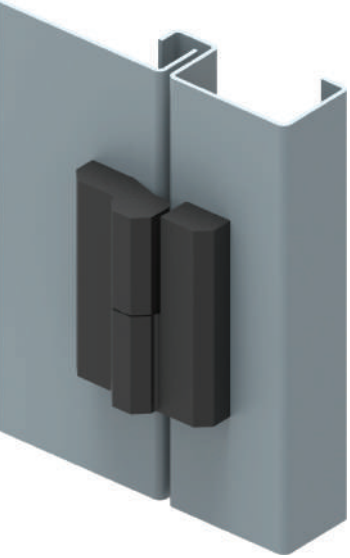
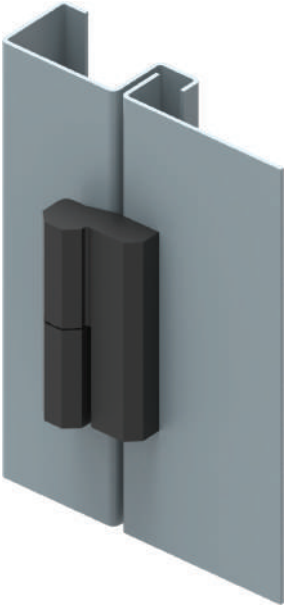
LIFT-OFF HINGE

699



- Concealed mounting screws prevent external access to hinge
- Designed for plain/flush-mounted doors
- Suitable for left- and right-hand applications

MATERIAL
 BODY: Zamak DIN-EN 1774-ZnAl4Cu1
 PIN: Stainless Steel



Hinge Rotation Angle
 $0 \rightarrow 180^\circ$

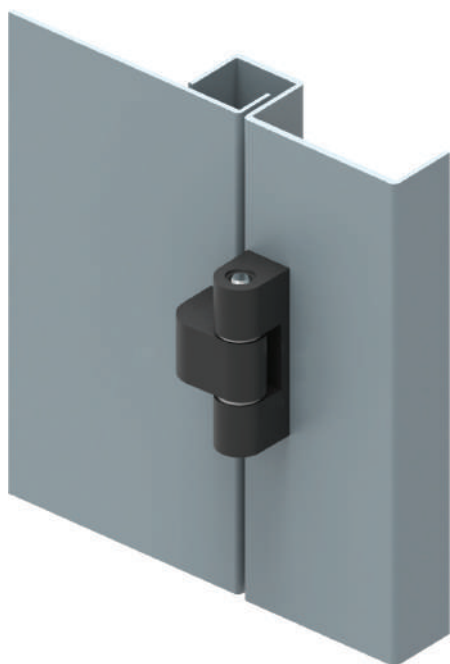
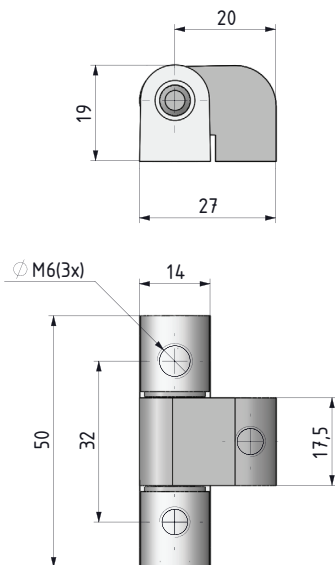
MATERIAL	M	FINISH	F	DOOR DIRECTION	
Zamak	1	Chrome plated	1	Right hand	001
		Black coated	2	Left hand	002

Group Code	Material	Finish	Version	Door Direction
699	1	F	V	



693

HINGE WITH BEARING



MATERIAL
 BODY: Zamak DIN-EN 1774-ZnAl4Cu1
 PIN: Stainless Steel
 BEARING: Delrin

MATERIAL	M	FINISH	F
Zamak	1	Chrome plated	1
		Black coated	2

Group Code	Material	Finish	Version
693	1	F	2

Hinge Rotation Angle








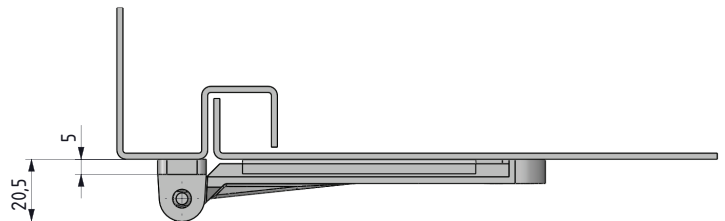
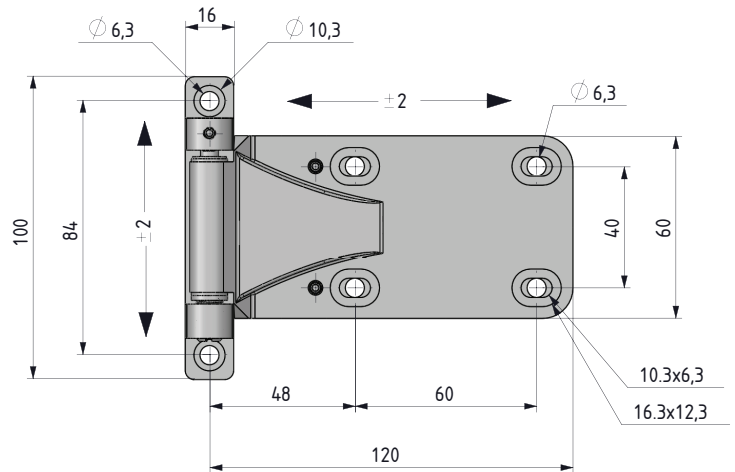
FLAT HINGES

HVAC HINGE (3D)

800



-  RoHS
- 
- 
- 
-  3D



- Suitable for three-dimensional door adjustment
- Can be used for flush doors

MATERIAL

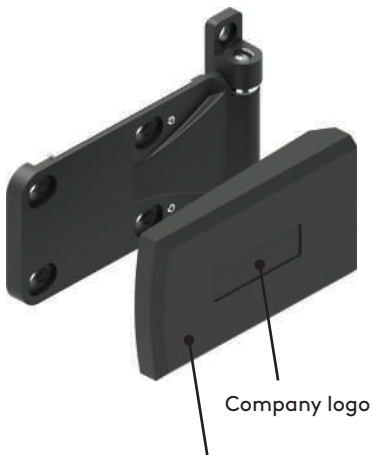
BODY: Zamak DIN-EN 1774-ZnAl4Cu1
 PIN: Steel
 BEARING: Delrin

FINISH

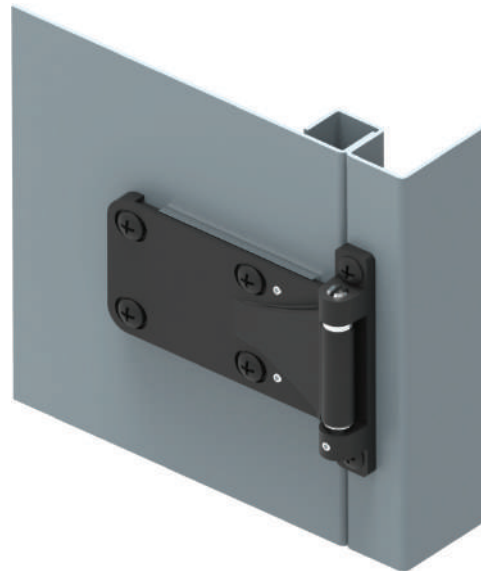
Black coated

HINGE COVER

320.02.017



(Order seperately)



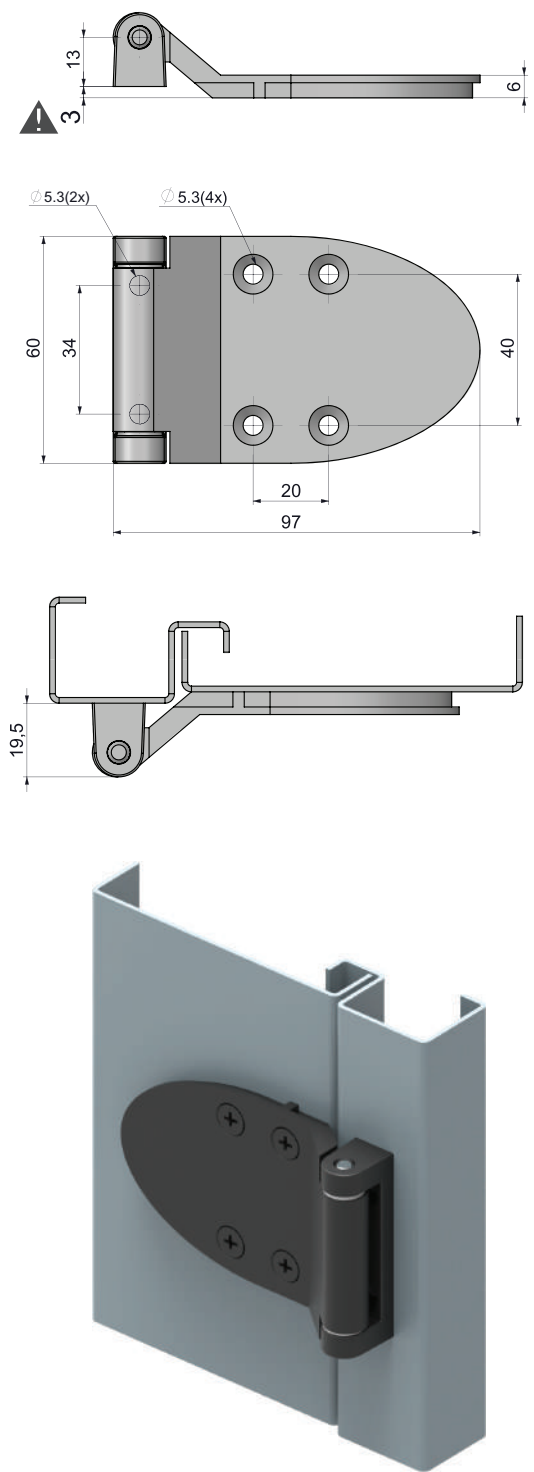
MATERIAL

Polyamide
 DIN-EN ISO 1043-1 PA6 GFR 30

MATERIAL	M	FINISH	F
Zamak	1	Black coated	2

DOOR DIRECTION	
Right hand	001 
Left hand	002 

Group Code	Material	Finish	Door Direction
800	1	2	



500

HVAC HINGE (3D)

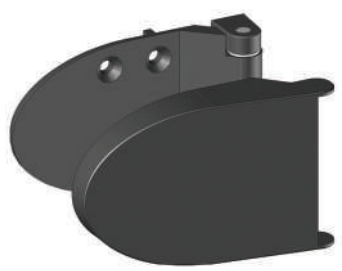
- RoHS
-
-



- Generally used for plain/flush-mounted, isolated, heavy doors
- Specially designed for central air conditioning units
- Stylish design
- Supplied with polyamide hinge cover and Stainless steel (AISI 304) hinge pin

MATERIAL
 BODY: Zamak DIN-EN 1774-ZnAl4Cu1
 PIN: Stainless Steel
 BEARING: Delrin
 COVER: PA 6 GFR 30

FINISH
 Black coated



MATERIAL	M	FINISH	F
Zamak	1	Black coated	2

Group Code	Material	Finish
500	1	2

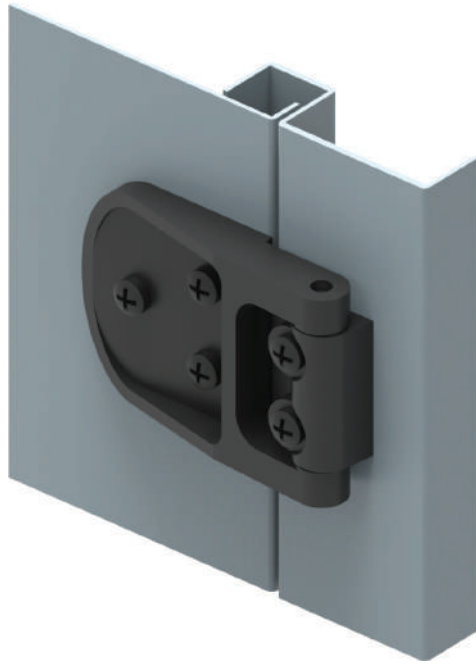
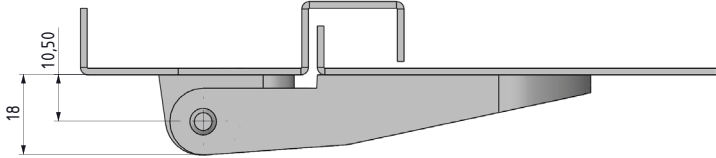
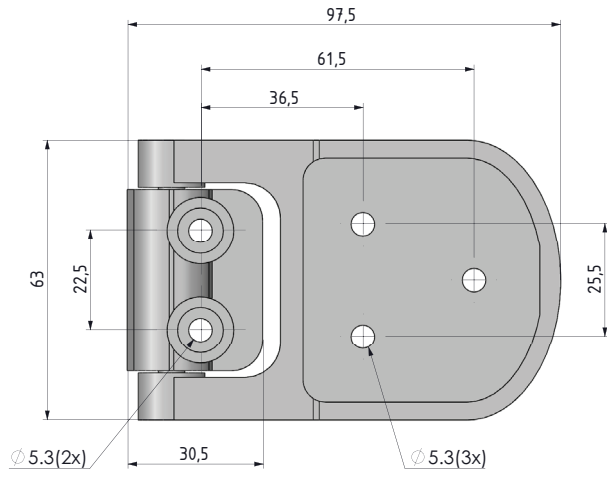
Hinge Rotation Angle
 0 180°

Note: Bolts are not supplied

FLAT HINGES

HVAC HINGE

300



MATERIAL
 BODY: Polyamide DIN-EN
 ISO 1043-1
 PA 6 GFR 30
 PIN: Stainless Steel

Hinge Rotation Angle
 0-180°

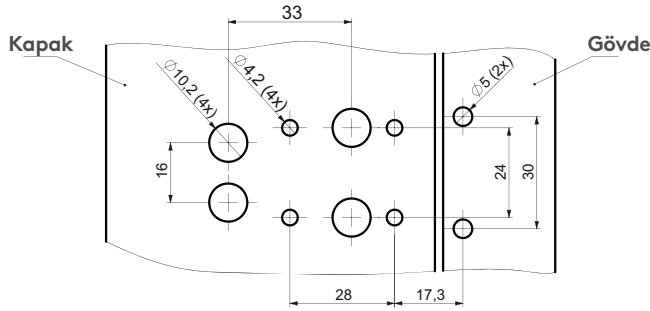
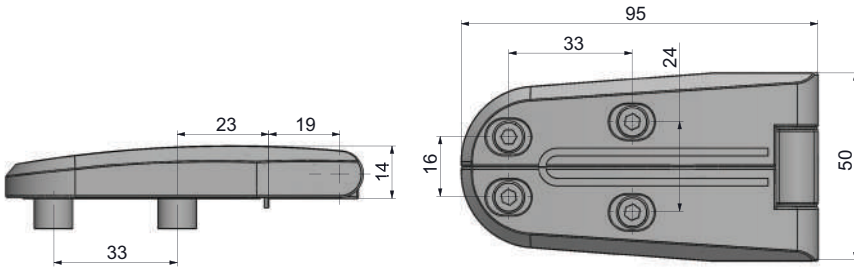
MATERIAL	M	FINISH	F
Plastic	2	No finish	0

Group Code	Material	Finish
300	2	0



1500

HVAC HINGE



Montaj ölçüsü



- It is specially designed for easy mounting in double hull insulation door.
- Hinge rotation 180°.
- It can adjust 3mm in vertical and horizontal direction.

MATERIAL

BODY: Zamak DIN-EN 1774-ZnAl4Cu1
 PIN: Stainless Steel
 BOLTS: Stainless Steel

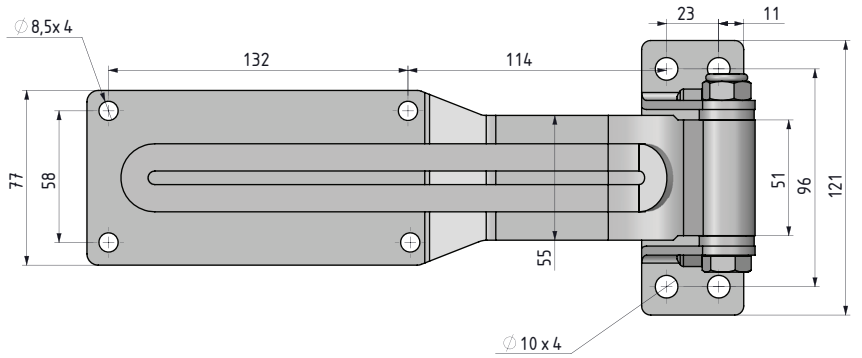
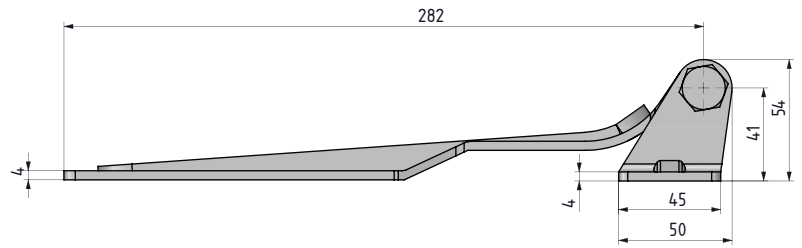
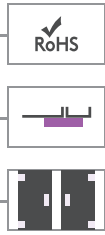
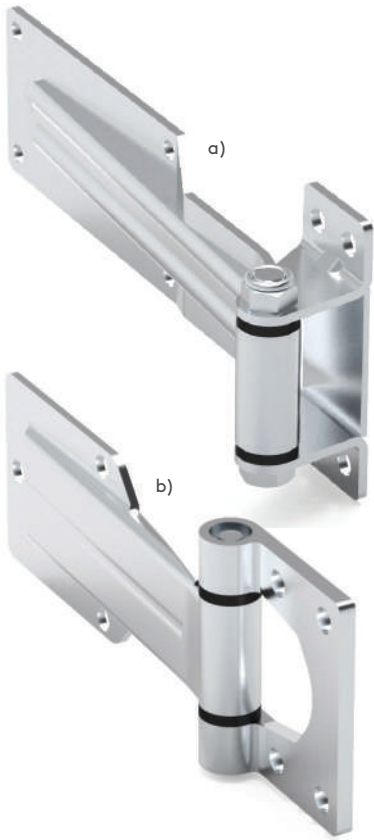
⚠ Note: Bolts are supplied

MATERIAL	M	FINISH	F
Zamak	1	Chrome plated	1
		Black coated	2

Group Code	Version	Material	Finish
1500	1	1	F

FLAT HINGES

TRUCK CARRIER HINGE

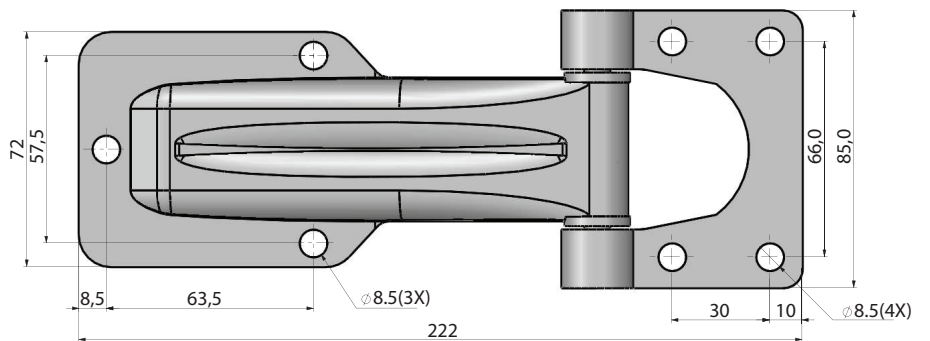
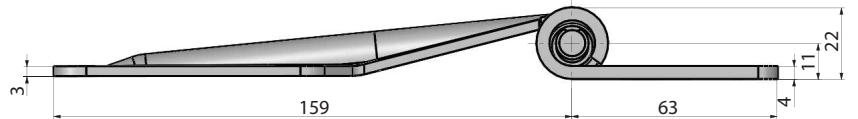


a)

MATERIAL VE FINISH	ÜRÜN KODU
Steel – Zinc plated	340.0.8024
Steel – Black coated	340.0.8025

- Strong hinge used on doors of refrigerated truck carriers and trailers
- Opening angle is 270 degrees
- Provided as zinc plated or black powder coated.
- Suitable for LH and RH applications
- Please contact with Mesan for various dimensions

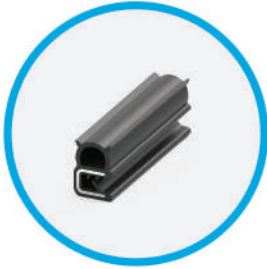
MATERIAL
 Frame part: Steel
 Door part: Steel



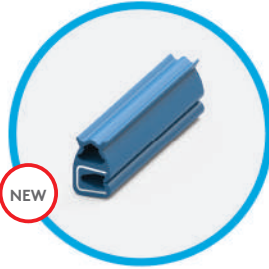
b)

MATERIAL & FINISH	PRODUCT CODE
Steel – Zinc plated	340.0.8023
Steel – Black coated	340.0.8029





392



392



393



393



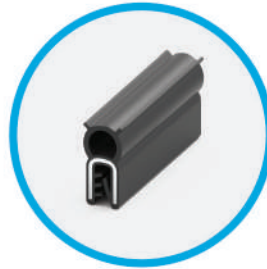
394



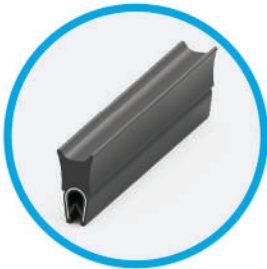
394



395



395



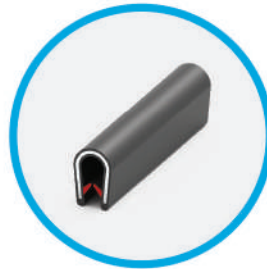
396



396



397



397



398



398



399



399



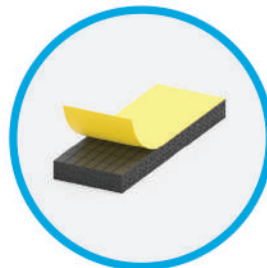
400



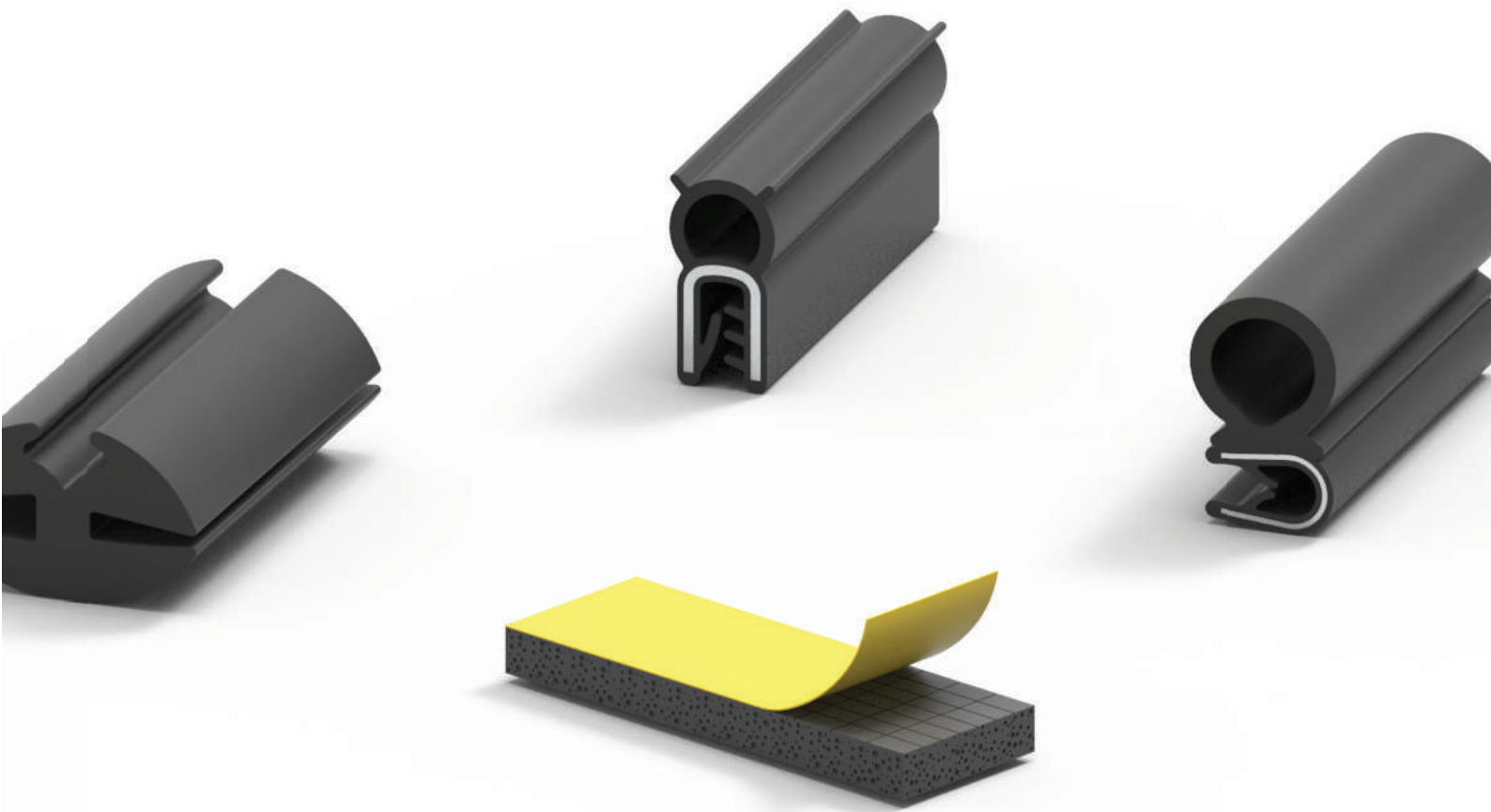
400



401



401



GASKETS

386-401



Tightness Seals for Cabins and Panels

In parallel with the today's technological advancements and maximum customer expectations.

- Minimum permeability,
- Maximum sound insulation,
- Low shutting force,
- Vibration-free movement,
- Closing gaps with wide tolerance,
- Designed and manufactured for quick and easy assembly properties.



PVC

Polyvinyl chloride, generally known as PVC, is an elastomer with a wide area of use in daily life. It's preferred due to its resistance against environmental conditions as well as being easy to manufacture.

- It has a wide range of hardness with suitable modifications.
- It can be colored and it's recyclable.
- Its temperature range is between -25 and 70°C.
- It has high resistance against ozone, acid, wearing, and tearing, but low fuel resistance.

VMQ - SILICONE RUBBER

As opposed to other synthetic rubbers, it does not have carbon in its molecular chain. They only contain silicone and oxygen atoms.

- They have perfect heat resistance in dry environments (200 - 220 °C). During contact with high-pressure vapor (130 - 140 °C) or in case of aging at indoor areas without oxygen, the heat resistance may decrease due to hydrolysis.
- Ozone, ultraviolet light or atmospheric conditions do not change its properties.
- It is a good non-conductor.
- It has an automatic fire extinction property. The residual material that forms as a result of long-term fire exposure (silica) is a perfect non-conductor.
- It's physically harmless, therefore suitable for medical applications.
- Its temperature range is between -70 and 220°C.

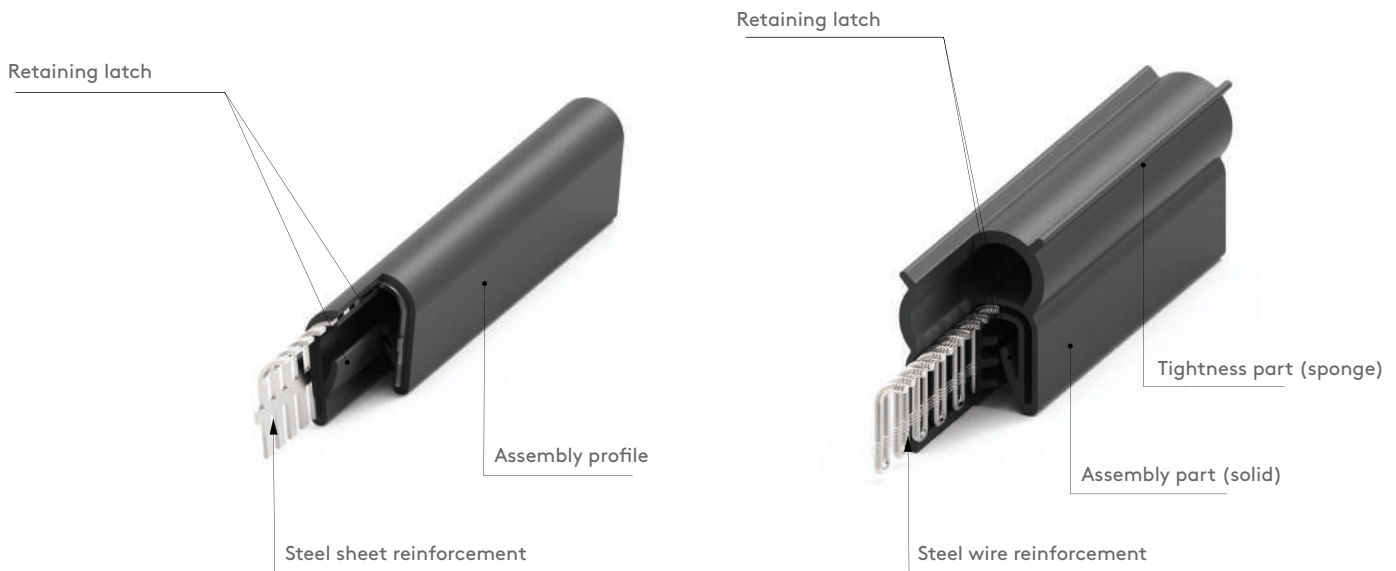
Gaskets can be manufactured from different elastomer types in line with the customer expectations/technical specifications.

The mixtures obtained from the elastomers whose general properties are shown on the table, can be modified with different chemicals in order to provide special solutions for areas of application.

Characteristic	PVC	NBR	EPDM	SILICON
Min. operating temperature	-10	-25	-25	-25
Max. operating temperature	45	90	120	135
Tensile Strength	Excellent	Excellent	Excellent	Conditional
Abrasion Resistance Wear Resistance	Excellent	Excellent	Fair	Fair
Resistant to:				
UV Light/weather exposure	●	●	●	●
Oil, greases	●	●	●	●
Fuels	●	●	●	●
Acids	●	●	●	●
Alkalines	●	●	●	●
Chlorinated Solvents		●	●	●
Alcohol	●	●	●	●

● Resistant ● Non-resistant ● Resistant against the conditions

Gasket structure

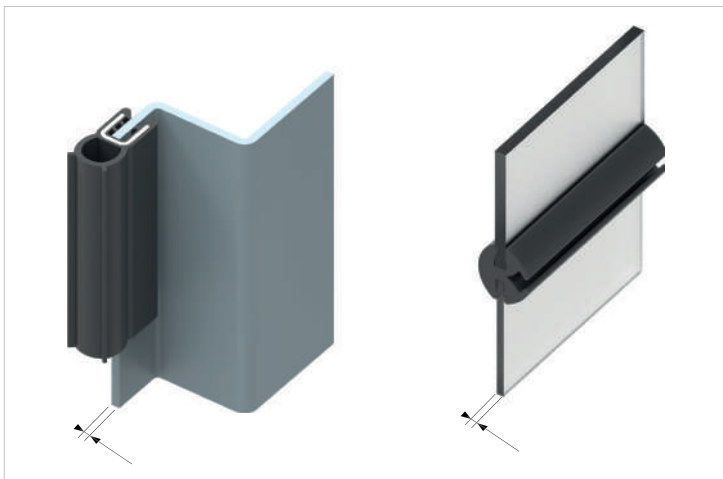
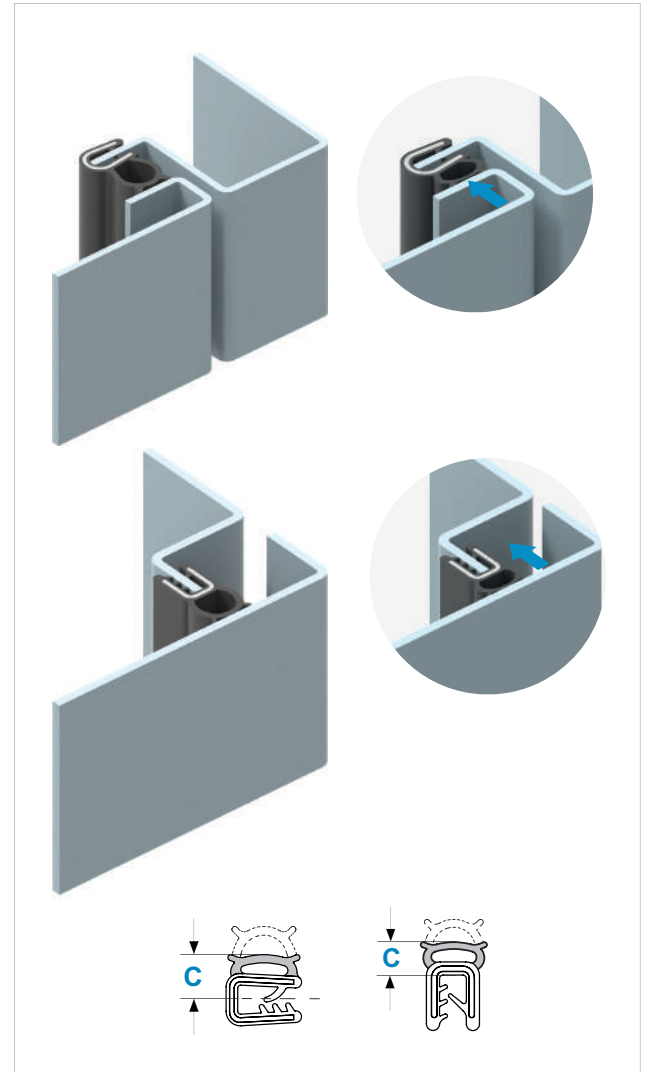
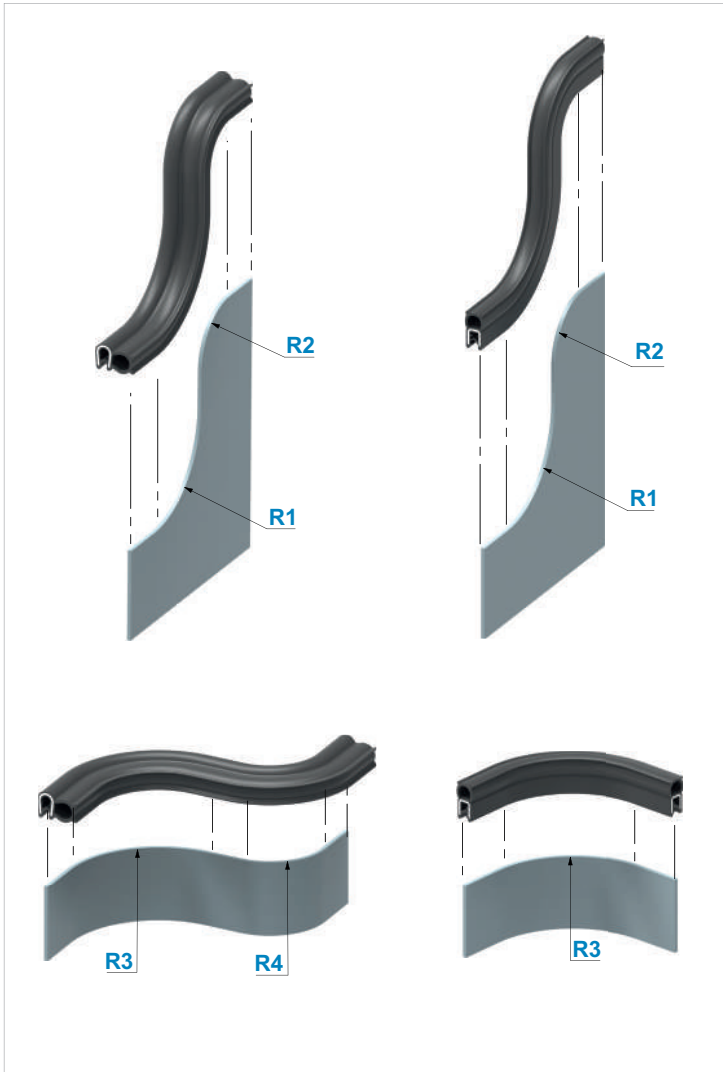


Gaskets with single or double components may be manufactured by using different metal reinforcement according to the area of application.

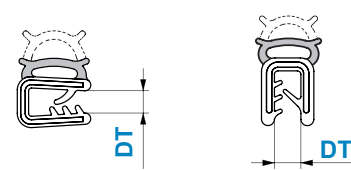
Technical Expressions:

In the technical data sheet, the minimum **bending** radius of the relevant gaskets have been stated with the **R values**.

Gasket **Compression** rate (C) is **between 40% and 60%**.



Maximum recommended **door thickness** has been defined with the **DT value**.



Applications:

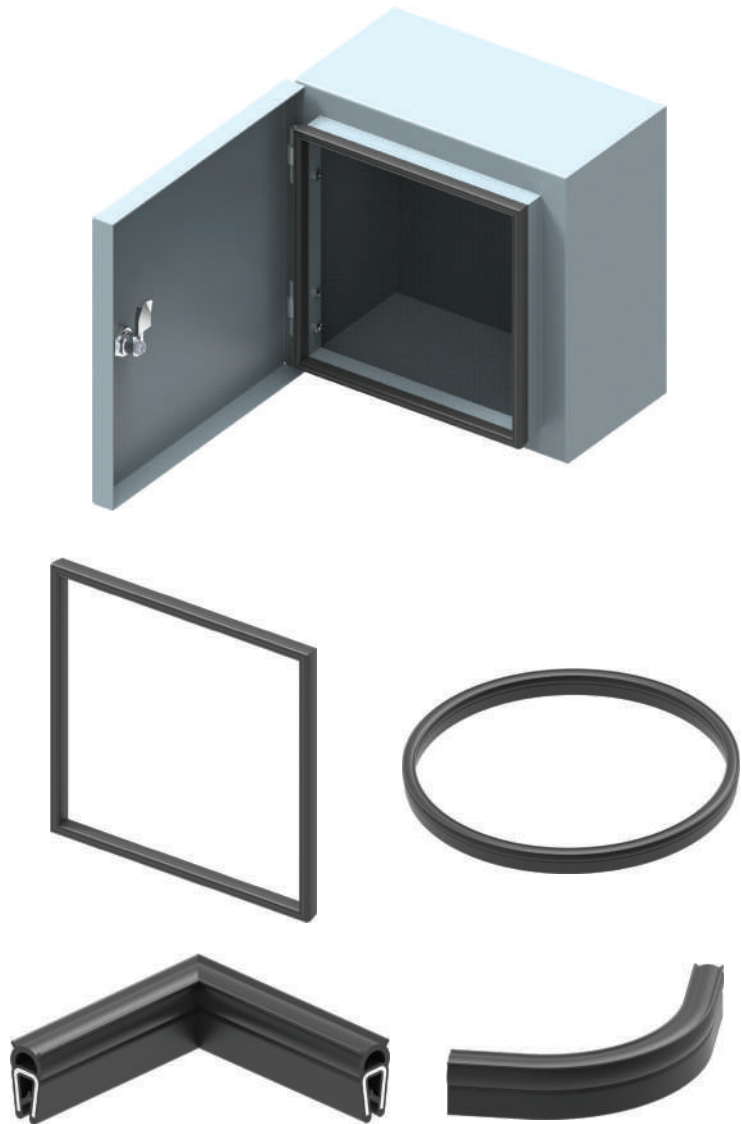
With the 90° blind or end-to-end welding method, ready-to-assemble gaskets can be manufactured in line with the customer's request.

Product advantages:

- You do not need to cut gaskets.
- You save time by easily assembling on the doors.
- It provides tightness in the face ends and corners.

Note: Only applicable for EPDM gaskets.

You must completely specify the frame size of the gasket to be assembled in your order.



Some of our PDM gaskets have the **UL 94-V0** flame-retardant properties..


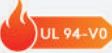
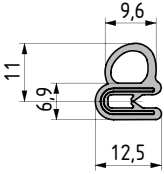
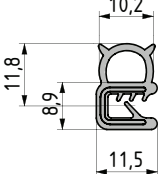
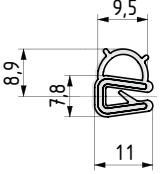
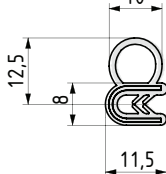









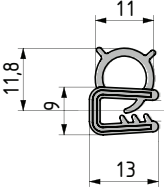
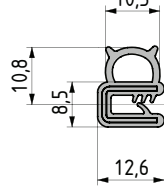
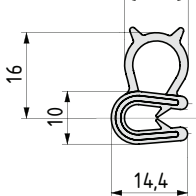
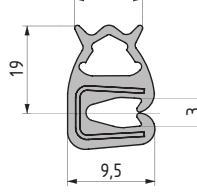
Silicone gaskets





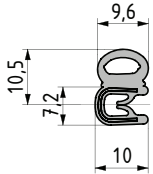
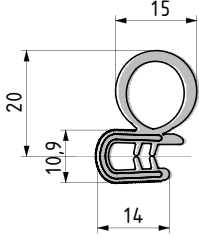
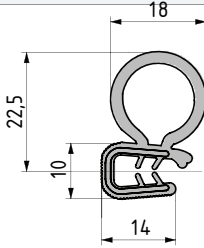
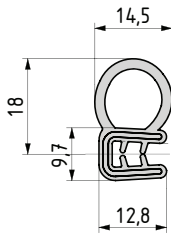
Applicable in areas where cleaning and hygiene works are required. New products can be worked out in line with the customer's requests.





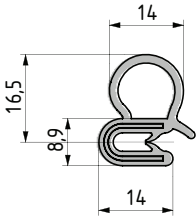
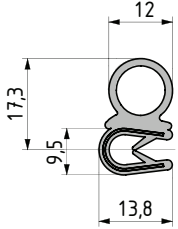
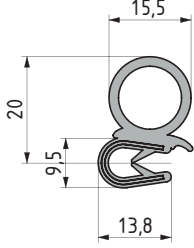
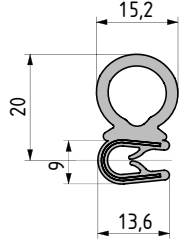
Please consult our sales team for different gasket or property requests.

GASKETS





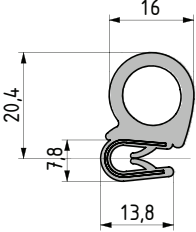
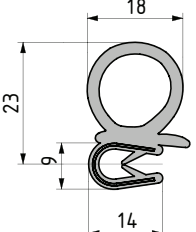
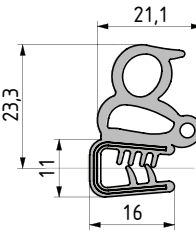
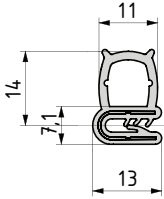
	 		
			
PRODUCT CODE 340.09.001	PRODUCT CODE 340.09.002	PRODUCT CODE 340.09.003	PRODUCT CODE 340.09.004
MATERIAL EPDM	UL 94-V0 340.09.002.003	MATERIAL EPDM	MATERIAL EPDM
COLOR BLACK	MATERIAL EPDM	COLOR BLACK	COLOR BLACK
R1 40	COLOR BLACK	R1 40	R1 40
R2 50	R1 50	R2 50	R2 50
R3 80	R2 60	R3 90	R3 -
R4 40	R3 180	R4 50	R4 -
DT 2	R4 40	DT 2	DT 2
PACKAGING(mt) 100	DT 3	PACKAGING(mt) 100	PACKAGING(mt) 100
	PACKAGING(mt) 100		





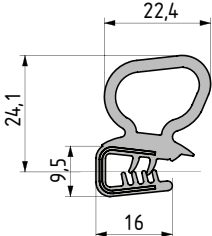
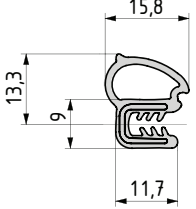
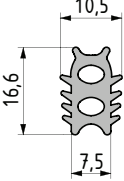
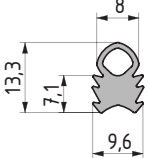
 			  
			
PRODUCT CODE 340.09.006	PRODUCT CODE 340.09.007	PRODUCT CODE 340.09.014	PRODUCT CODE 340.09.971
UL 94-V0 340.09.006.001	MATERIAL EPDM	MATERIAL EPDM	MATERIAL Silicone
MATERIAL EPDM	COLOR BLACK	COLOR BLACK	COLOR BLUE
COLOR BLACK	R1 60	R1 70	R1 30
R1 50	R2 70	R2 60	R2 30
R2 60	R3 150	R3 230	R3 90
R3 180	R4 80	R4 200	R4 70
R4 80	DT 2	DT 2,5	DT 2
DT 3	PACKAGING(mt) 100	PACKAGING(mt) 50	PACKAGING(mt) 50
PACKAGING(mt) 100			

			
			
PRODUCT CODE 340.09.701	PRODUCT CODE 340.09.019	PRODUCT CODE 340.09.021	PRODUCT CODE 340.09.029
MATERIAL PVC/EPDM	MATERIAL EPDM	MATERIAL EPDM	MATERIAL EPDM
COLOR BLACK	COLOR BLACK	COLOR BLACK	COLOR BLACK
R1 20	R1 60	R1 80	R1 50
R2 25	R2 70	R2 80	R2 50
R3 55	R3 220	R3 250	R3 130
R4 30	R4 200	R4 230	R4 160
DT 7,8	DT 3	DT 4	DT 3
PACKAGING(mt) 2 X 50= 100	PACKAGING(mt) 50	PACKAGING(mt) 40	PACKAGING(mt) 50





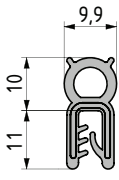
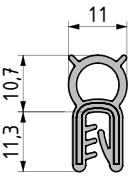
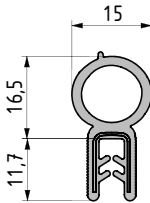
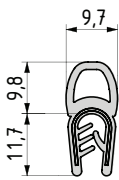
			
			
PRODUCT CODE 340.09.017	PRODUCT CODE 340.09.705	PRODUCT CODE 340.09.712	PRODUCT CODE 340.09.707
MATERIAL EPDM	MATERIAL PVC/EPDM	MATERIAL PVC/EPDM	MATERIAL PVC/EPDM
COLOR BLACK	COLOR BLACK/RED	COLOR BLACK/RED	COLOR BLACK/RED
R1 60	R1 50	R1 40	R1 40
R2 80	R2 60	R2 70	R2 70
R3 230	R3 130	R3 130	R3 130
R4 210	R4 70	R4 110	R4 110
DT 2,5	DT 3	DT 3	DT 3
PACKAGING(mt) 50	PACKAGING(mt) 50	PACKAGING(mt) 50	PACKAGING(mt) 50

GASKETS





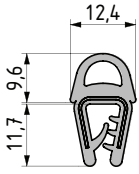
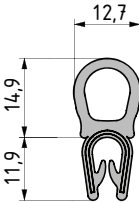
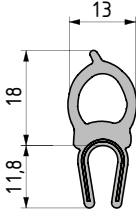
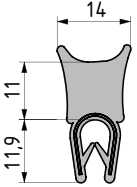
			
			
PRODUCT CODE 340.09.716	PRODUCT CODE 340.09.719	PRODUCT CODE 340.09.729	PRODUCT CODE 340.09.942
MATERIAL PVC/EPDM	MATERIAL PVC/EPDM	MATERIAL PVC/EPDM	MATERIAL
COLOR BLACK/RED	COLOR BLACK/RED	COLOR BLACK/WHITE	COLOR
R1 40	R1 50	R1 90	R1 30
R2 60	R2 70	R2 90	R2 30
R3 130	R3 150	R3 150	R3 100
R4 110	R4 130	R4 150	R4 70
DT 3	DT 3	DT 4	DT 2
PACKAGING(mt) 50	PACKAGING(mt) 50	PACKAGING(mt) 50	PACKAGING(mt) 50





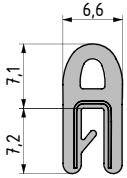
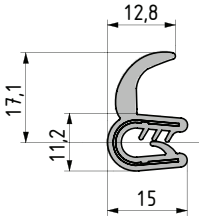
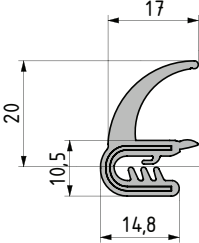
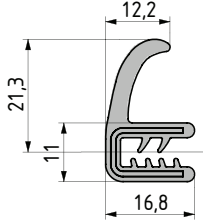
			
			
PRODUCT CODE 340.09.735	PRODUCT CODE 340.09.010	PRODUCT CODE 340.09.678	PRODUCT CODE 340.09.679
MATERIAL	MATERIAL EPDM	MATERIAL EPDM	MATERIAL EPDM
COLOR	COLOR BLACK	COLOR BLACK	COLOR BLACK
R1 70	R1 70	R1 70	R1 70
R2 70	R2 80	R2 70	R2 70
R3 -	R3 100	R3 50	R3 40
R4 60	R4 170	R4 -	R4 -
DT 4	DT 3	DT -	DT -
PACKAGING(mt) 50	PACKAGING(mt) 50	PACKAGING(mt) 100	PACKAGING(mt) 100





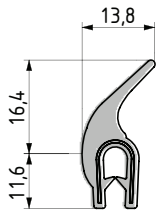
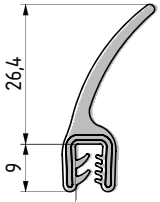
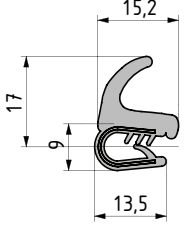
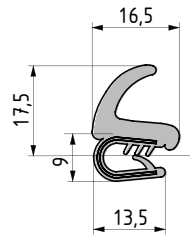
	 	 	
			
PRODUCT CODE 340.09.101	PRODUCT CODE 340.09.102	PRODUCT CODE 340.09.103	PRODUCT CODE 340.09.104
MATERIAL EPDM	MATERIAL EPDM	MATERIAL EPDM	MATERIAL EPDM
COLOR BLACK	COLOR BLACK	COLOR BLACK	COLOR BLACK
R1 130	R1 90	R1 70	R1 110
R2 70	R2 60	R2 60	R2 60
R3 30	R3 25	R3 25	R3 40
R4 -	R4 -	R4 -	R4 40
DT 2,5	DT 1,5	DT 2	DT 3
PACKAGING(mt) 100	PACKAGING(mt) 100	PACKAGING(mt) 100	PACKAGING(mt) 100

			
			
PRODUCT CODE 340.09.105	PRODUCT CODE 340.09.107	PRODUCT CODE 340.09.124	PRODUCT CODE 340.09.802
MATERIAL EPDM	MATERIAL EPDM	MATERIAL EPDM	MATERIAL PVC/EPDM
COLOR BLACK	COLOR BLACK	COLOR BLACK	COLOR BLACK/YELLOW
R1 100	R1 100	R1 160	R1 90
R2 60	R2 60	R2 110	R2 80
R3 40	R3 40	R3 50	R3 30
R4 -	R4 -	R4 -	R4 -
DT 3,5	DT 3,5	DT 3,5	DT 3
PACKAGING(mt) 100	PACKAGING(mt) 100	PACKAGING(mt) 50	PACKAGING(mt) 100

GASKETS





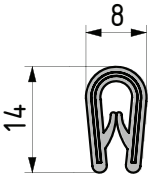
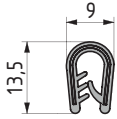
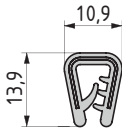
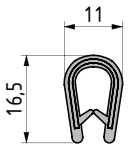
			
			
PRODUCT CODE 340.09.804	PRODUCT CODE 340.09.805	PRODUCT CODE 340.09.806	PRODUCT CODE 340.09.810
MATERIAL PVC/EPDM	MATERIAL PVC/EPDM	MATERIAL PVC/EPDM	MATERIAL PVC/EPDM
COLOR BLACK/YELLOW	COLOR BLACK	COLOR BLACK	COLOR BLACK
R1 90	R1 90	R1 90	R1 160
R2 80	R2 70	R2 70	R2 60
R3 30	R3 30	R3 30	R3 60
R4 -	R4 -	R4 -	R4 -
DT 2,5	DT 3	DT 3	DT 3
PACKAGING(mt) 50	PACKAGING(mt) 50	PACKAGING(mt) 50	PACKAGING(mt) 50

			
			
PRODUCT CODE 340.09.100	PRODUCT CODE 340.09.202	PRODUCT CODE 340.09.203	PRODUCT CODE 340.09.205
MATERIAL PVC/EPDM	MATERIAL EPDM	MATERIAL EPDM	MATERIAL EPDM
COLOR BLACK	COLOR BLACK	COLOR BLACK	COLOR BLACK
R1 60	R1 60	R1 120	R1 60
R2 40	R2 60	R2 90	R2 110
R3 30	R3 -	R3 -	R3 140
R4 -	R4 -	R4 -	R4 220
DT 2	DT 3	DT 3	DT 4
PACKAGING(mt) 50	PACKAGING(mt) 50	PACKAGING(mt) 50	PACKAGING(mt) 40





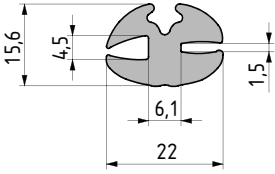
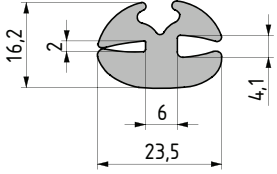
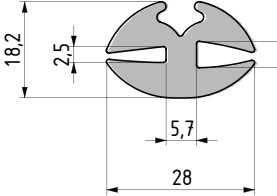
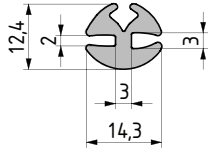
			
			
PRODUCT CODE 340.09.206	PRODUCT CODE 340.09.210	PRODUCT CODE 340.09.902	PRODUCT CODE 340.09.904
MATERIAL EPDM	MATERIAL EPDM	MATERIAL PVC/EPDM	MATERIAL PVC/EPDM
COLOR BLACK	COLOR BLACK	COLOR BLACK	COLOR BLACK
R1 -	R1 -	R1 50	R1 50
R2 -	R2 -	R2 50	R2 50
R3 30	R3 60	R3 160	R3 160
R4 -	R4 -	R4 160	R4 160
DT 3	DT 3	DT 3	DT 3
PACKAGING(mt) 50	PACKAGING(mt) 50	PACKAGING(mt) 50	PACKAGING(mt) 50


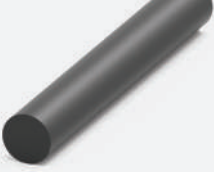

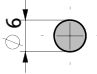
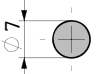
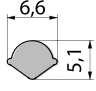
			
			
PRODUCT CODE 340.09.502	PRODUCT CODE 340.09.504	PRODUCT CODE 340.09.516	PRODUCT CODE 340.09.517
MATERIAL PVC	MATERIAL PVC	MATERIAL PVC	MATERIAL PVC
COLOR BLACK	COLOR BLACK	COLOR BLACK	COLOR BLACK/RED
R1 20	R1 20	R1 30	R1 30
R2 20	R2 20	R2 40	R2 40
R3 15	R3 15	R3 30	R3 30
R4 -	R4 -	R4 -	R4 -
DT 2	DT 2	DT 4	DT 3
PACKAGING(mt) 200	PACKAGING(mt) 200	PACKAGING(mt) 150	PACKAGING(mt) 150

GASKETS









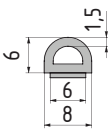
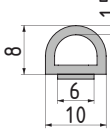
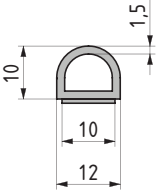
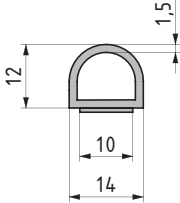
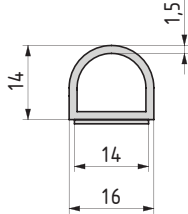
			
			
PRODUCT CODE 340.09.522	PRODUCT CODE 340.09.523	PRODUCT CODE 340.09.527	PRODUCT CODE 340.09.530
MATERIAL PVC	MATERIAL PVC	MATERIAL PVC	MATERIAL PVC
COLOR BLACK	COLOR BLACK/RED	COLOR BLACK/YELLOW	COLOR BLACK/RED
R1 30	R1 50	R1 50	R1 30
R2 40	R2 50	R2 60	R2 40
R3 30	R3 30	R3 30	R3 30
R4 -	R4 -	R4 -	R4 -
DT 2,5	DT 3	DT 2,5	DT 4
PACKAGING(mt) 150	PACKAGING(mt) 150	PACKAGING(mt) 150	PACKAGING(mt) 100

			
			
PRODUCT CODE 340.09.538	PRODUCT CODE 340.09.529	PRODUCT CODE 340.09.540	PRODUCT CODE 340.09.419
MATERIAL EPDM	MATERIAL	MATERIAL EPDM	MATERIAL EPDM
COLOR BLACK/YELLOW	COLOR	COLOR BLACK/YELLOW	COLOR BLACK
R1 50	R1 50	R1 50	R1 70
R2 60	R2 50	R2 60	R2 80
R3 40	R3 30	R3 40	R3
R4 -	R4 -	R4 -	R4
DT 4	DT 4	DT 4	DT 3,5
PACKAGING(mt) 100	PACKAGING(mt) 100	PACKAGING(mt) 100	PACKAGING(mt) 50





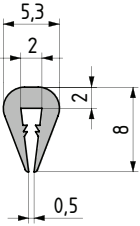
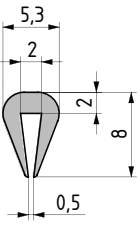
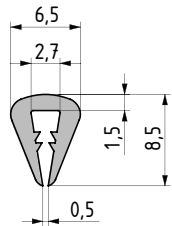
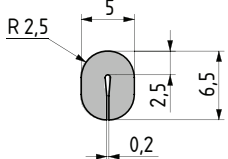
			
			
PRODUCT CODE 340.09.380	PRODUCT CODE 340.09.381	PRODUCT CODE 340.09.385	PRODUCT CODE 340.09.382
MATERIAL EPDM	MATERIAL EPDM	MATERIAL EPDM	MATERIAL EPDM
COLOR BLACK	COLOR BLACK	COLOR BLACK	COLOR BLACK
R1 40	R1 40	R1 45	R1 30
R2 40	R2 40	R2 45	R2 30
DT 4	DT 3,5	DT 4,5	DT 2,5
PACKAGING(mt) 50	PACKAGING(mt) 50	PACKAGING(mt) 50	PACKAGING(mt) 100

		
		
PRODUCT CODE 340.09.383	PRODUCT CODE 340.09.611	PRODUCT CODE 340.09.384
MATERIAL EPDM	MATERIAL EPDM	MATERIAL EPDM
COLOR BLACK	COLOR BLACK	COLOR BLACK
R1 -	R1 -	R1 -
R2 -	R2 -	R2 -
DT -	DT -	DT -
PACKAGING(mt) 4x50	PACKAGING(mt) 100	PACKAGING(mt) 4x50

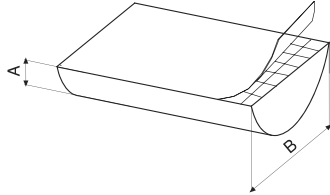
ADHESIVE GASKETS

							
							
PRODUCT CODE	340.09.966	PRODUCT CODE	340.09.968	PRODUCT CODE	340.09.969	PRODUCT CODE	340.09.970
PRODUCT CODE	340.09.967	MATERIAL	EPDM	MATERIAL	EPDM	MATERIAL	EPDM
MATERIAL	EPDM	COLOR	BLACK	COLOR	BLACK	COLOR	BLACK
COLOR	BLACK	R1		R1		R1	
R1		R2		R2		R2	
R2		R3		R3		R3	
R3		R4		R4		R4	
R4		DT		DT		DT	
DT		PACKAGING(mt)	100	PACKAGING(mt)	100	PACKAGING(mt)	100
PACKAGING(mt)	200						

U SEALS

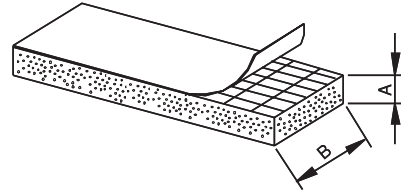
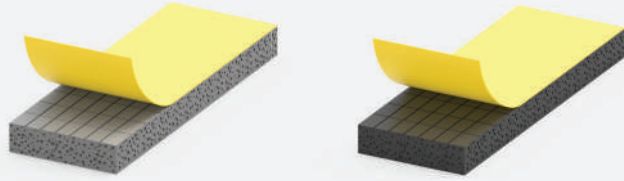
							
							
PRODUCT CODE	34001010	PRODUCT CODE	34001011	PRODUCT CODE	34001012	PRODUCT CODE	34001015
MATERIAL	PVC	MATERIAL	PVC	MATERIAL	PVC	MATERIAL	PVC
COLOR	BLACK	COLOR	BLACK	COLOR	BLACK	COLOR	BLACK
R1	-	R1	-	R1	-	R1	-
R2	-	R2	-	R2	-	R2	-
R3	-	R3	-	R3	-	R3	-
R4	-	R4	-	R4	-	R4	-
DT		DT		DT		DT	
PACKAGING(mt)	100	PACKAGING(mt)	100	PACKAGING(mt)	100	PACKAGING(mt)	100

ADHESIVE CAST GASKET



A MM	B MM	1300 POLYURETHANE	STANDARD ROLL LENGTH (M)
3	10	1300.3.10	50
3	15	1300.3.15	50
3	20	1300.3.20	50
4	10	1300.4.10	50
4	15	1300.4.15	50
4	20	1300.4.20	50
5	10	1300.5.10	50
5	15	1300.5.15	50
5	20	1300.5.20	50
6	10	1300.6.10	25
6	15	1300.6.15	25
6	20	1300.6.20	25
7	10	1300.7.10	25
7	15	1300.7.15	25
7	25	1300.7.25	25
8	10	1300.8.10	25
8	15	1300.8.15	25
8	20	1300.8.20	25
9	15	1300.9.15	25
9	20	1300.9.20	25
10	15	1300.10.15	25
10	20	1300.10.20	25

ADHESIVE GASKET



A MM	B MM	1100 POLYETHYLENE	1200 EPDM	STANDARD ROLL LENGTH (M)
2	10	1100.2.10	1200.2.10	10
2	15	1100.2.15	1200.2.15	10
2	20	1100.2.20	1200.2.20	10
2	25	1100.2.25	1200.2.25	10
2	30	1100.2.30	1200.2.30	10
3	10	1100.3.10	1200.3.10	10
3	15	1100.3.15	1200.3.15	10
3	18	1100.3.18	1200.3.18	10
3	20	1100.3.20	1200.3.20	10
3	25	1100.3.25	1200.3.25	10
3	30	1100.3.30	1200.3.30	10
3	40	1200.3.40	1200.3.40	10
5	10	1100.5.10	1200.5.10	10
5	13	1100.5.13	1200.5.13	10
5	15	1100.5.15	1200.5.15	10
5	18	1100.5.18	1200.5.18	10
5	20	1100.5.20	1200.5.20	10
5	25	1100.5.25	1200.5.25	10
5	30	1100.5.30	1200.5.30	10
5	35	1100.5.35	1200.5.35	10
5	40	1100.5.40	1200.5.40	10
5	50	1100.5.50	1200.5.50	10
8	8	1100.8.8	1200.8.8	10
8	10	1100.8.10	1200.8.10	10
8	12	1100.8.12	1200.8.12	10
8	15	1100.8.15	1200.8.15	5
8	20	1100.8.20	1200.8.20	5
8	25	1100.8.25	1200.8.25	5
8	30	1100.8.30	1200.8.30	5
8	40	1100.8.40	1200.8.40	5
10	10	1100.10.10	1200.10.10	5
10	12	1100.10.12	1200.10.12	5
10	15	1100.10.15	1200.10.15	5
10	20	1100.10.20	1200.10.20	5
10	25	1100.10.25	1200.10.25	5
10	30	1100.10.30	1200.10.30	5
10	35	1100.10.35	1200.10.35	5
10	40	1100.10.40	1200.10.40	5



404



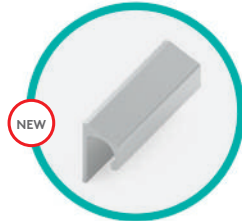
404



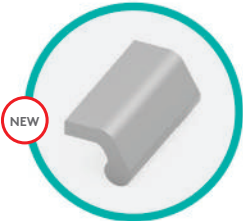
405



405



406



406



407



407



408



408



409



409



410



410



411



412



413



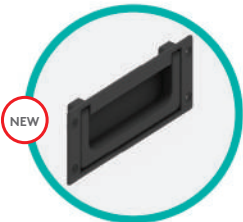
414



414



415



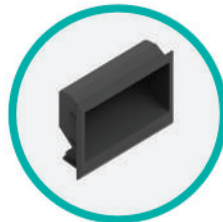
416



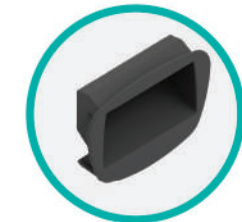
417



418



405



419



HANDLES

402-419



HANDLES

FINGER HANDLE

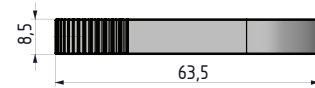
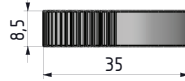
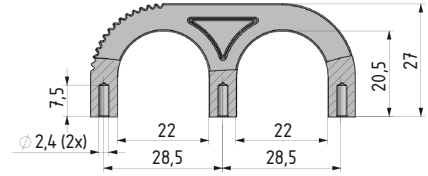
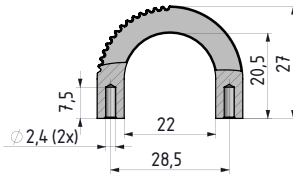
185

NEW



V: 1

V: 2

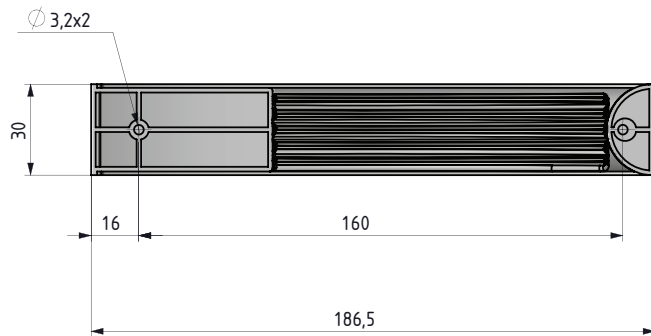
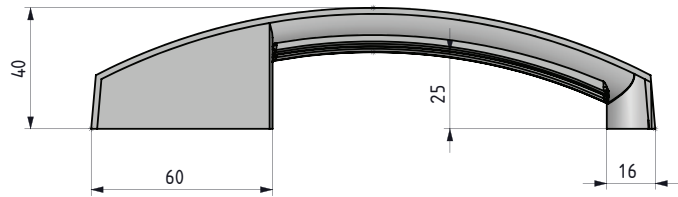


MATERIAL
Polyamide DIN-EN ISO 1043-1
PA 6 GFR 30

Group Code	Version
185	V

COVER HANDLE

286



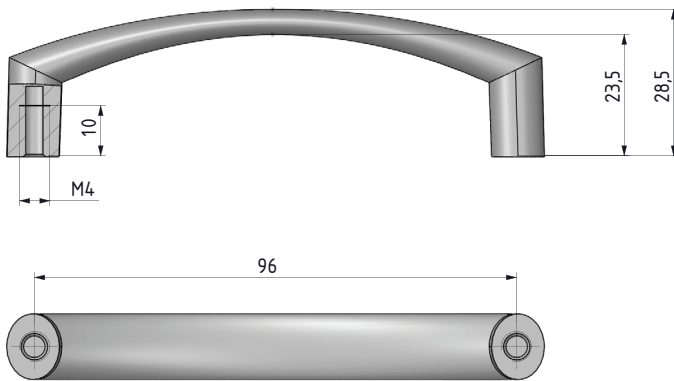
- Stylish
- Internal fixing with two screws

MATERIAL
Polyamide DIN-EN ISO 1043-1
PA 6 GFR 30



084

MILLENIUM HANDLE



MATERIAL	M	FINISH	F
Zamak	1	Chrome plated	1
		Black coated	2

Group Code	Material	Finish
084	M	F



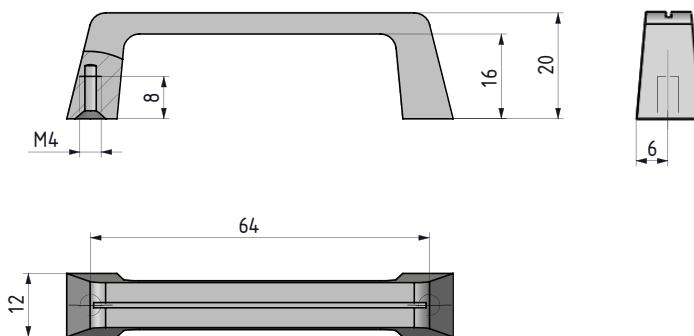
- Stylish handle for wooden furniture

MATERIAL
Zamak DIN-EN 1774-ZnAl4Cu1

FINISH
Chrome or black coated

085

DRAWER HANDLE



MATERIAL	M	FINISH	F
Zamak	1	Chrome plated	1
		Black coated	2

Group Code	Material	Finish
085	M	F



- Stylish handle for wooden furniture and keyboard shelf in rack cabinets

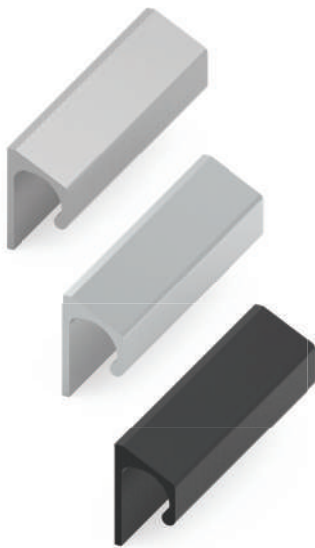
MATERIAL
Zamak DIN-EN 1774-ZnAl4Cu1

FINISH
Chrome or black coated

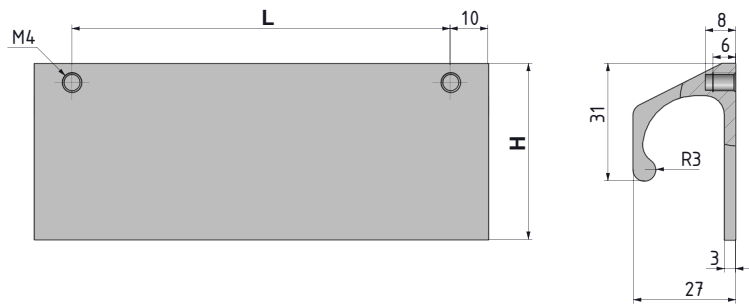
HANDLES

ALUMINIUM HANDLE

083



NEW



H	L
46	100
	150
	200

MATERIAL	M	FINISH	F
Aluminium	5	Chrome plated	1
		Black coated (RAL 9005)	2
		Matt anodized	7

MATERIAL
Aluminium

FINISH
Chrome plated, matt anodized
or black coated

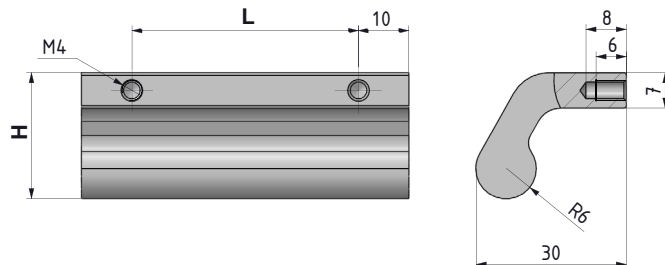
Group Code	Material	Finish	Height	Length
083	5	F	46	L

ALUMINIUM HANDLE

183



NEW



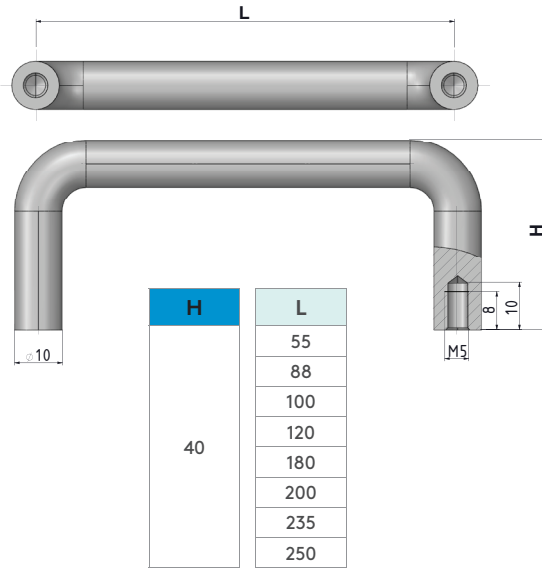
H	L
25	30
	45
	64
	70
	80
	90
	105

MATERIAL	M	FINISH	F
Aluminium	5	Chrome plated	1
		Black coated (RAL 9005)	2
		Matt anodized	7

MATERIAL
Aluminium

FINISH
Chrome plated, matt anodized
or black coated

Group Code	Material	Finish	Height	Length
183	5	F	25	L



MATERIAL	M	FINISH	F
Steel	6	Chrome plated	1
Aluminium	5	Matt anodized	7
Stainless Steel	4	Hand polish	0

Group Code	Material	Finish	Height	Length
184	M	F	40	L

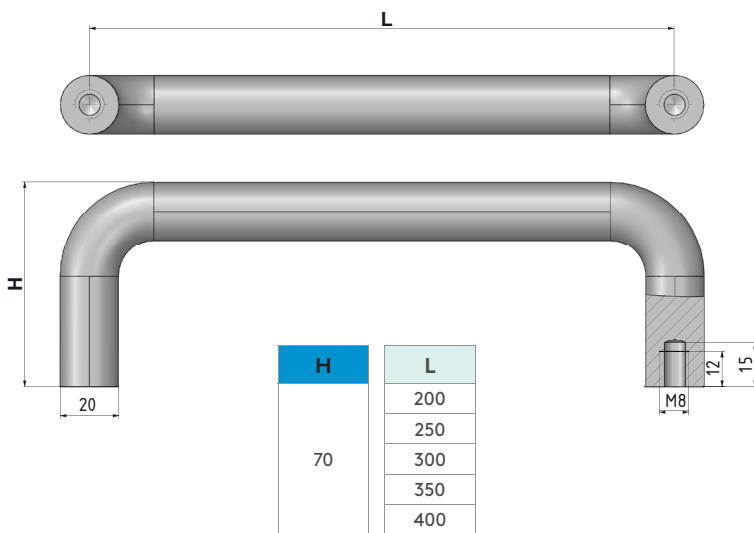
184

METAL HANDLE



MATERIAL
Steel, Aluminium ,Stainless Steel

FINISH
Chrome plated, matt anodized or black coated



MATERIAL	M	FINISH	F
Steel	6	Chrome plated	1
Aluminium	5	Matt anodized	7
Stainless Steel	4	Hand polish	0

Group Code	Material	Finish	Height	Length
484	M	F	70	L

484

METAL HANDLE



MATERIAL
Steel, Aluminium ,Stainless Steel

FINISH
Chrome plated, matt anodized or black coated

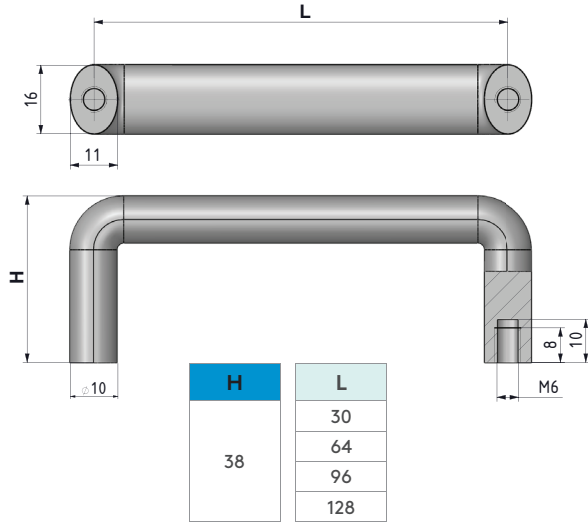
HANDLES

ALUMINIUM HANDLE

884



NEW



MATERIAL
Aluminium

FINISH
Matt anodized or black coated

MATERIAL	M	FINISH	F
Aluminium	5	Black coated (RAL 9005)	2
		Matt anodized	7

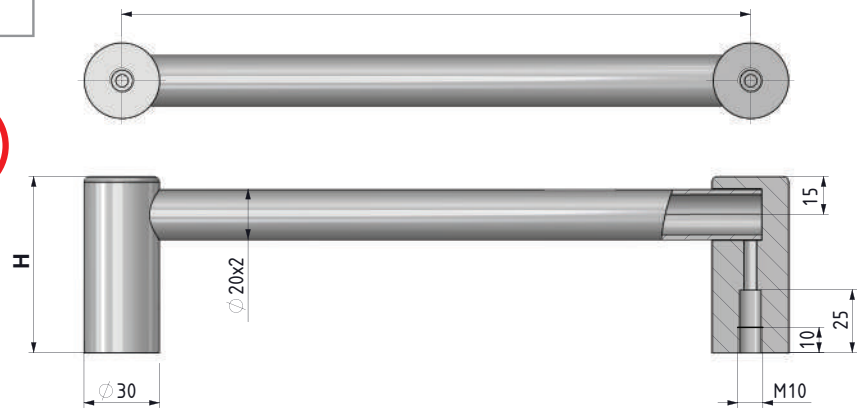
Group Code	Material	Finish	Height	Length
884	5	F	38	L

METAL HANDLE

284



NEW

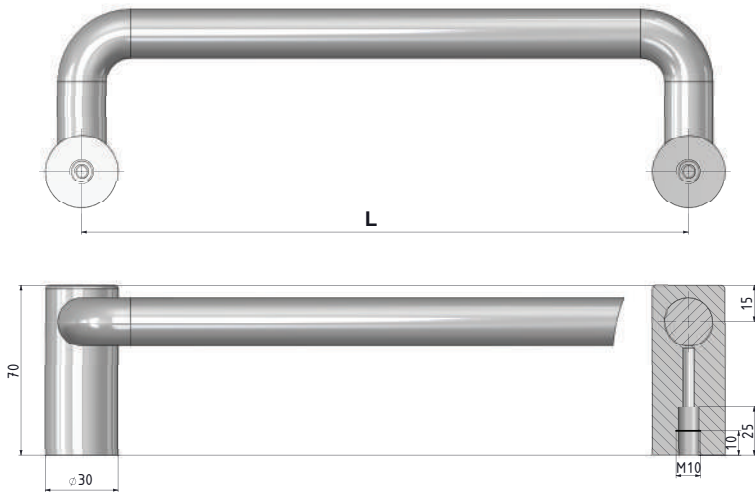


MATERIAL
Steel ,Stainless Steel

FINISH
Chrome plated, hand polish

MATERIAL	M	FINISH	F	H	L
Steel	6	Chrome plated	1	70	250
				70	300
				70	400
				70	500
				40	80
				40	100
Stainless steel	4	Hand polish	0	35	80
				35	100

Group Code	Material	Finish	Height	Length
284	M	F	H	L



H	L
70	250
	350

MATERIAL	M	FINISH	F
Steel	6	Chrome plated	1
Stainless Steel	4	Hand polish	0

Group Code	Material	Finish	Height	Length
384	M	F	70	L

384

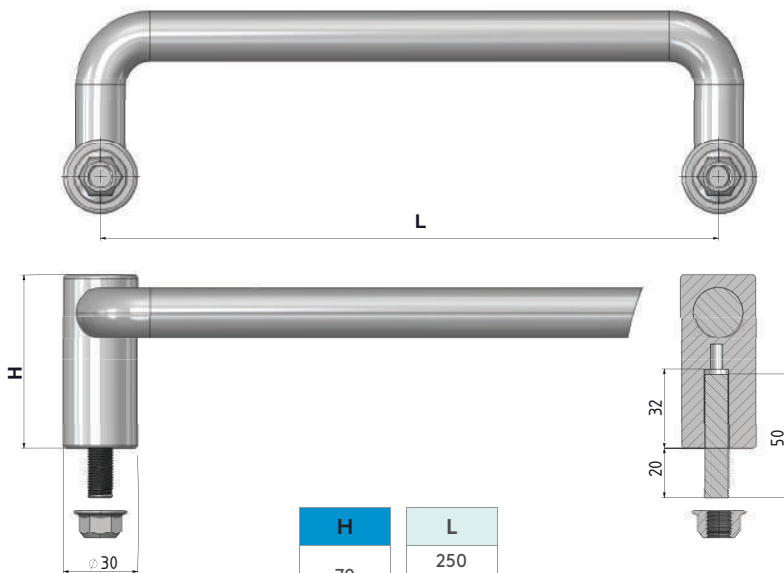
METAL HANDLE

NEW



MATERIAL
Steel, Stainless Steel

FINISH
Chrome plated, hand polish



H	L
70	250
	350

MATERIAL	M	FINISH	F
Steel	6	Chrome plated	1
Stainless Steel	4	Hand polish	0

Group Code	Version	Material	Finish	Height	Length
384	2	M	F	70	L

384

METAL HANDLE

NEW



MATERIAL
Steel, Stainless Steel

FINISH
Chrome plated, hand polish

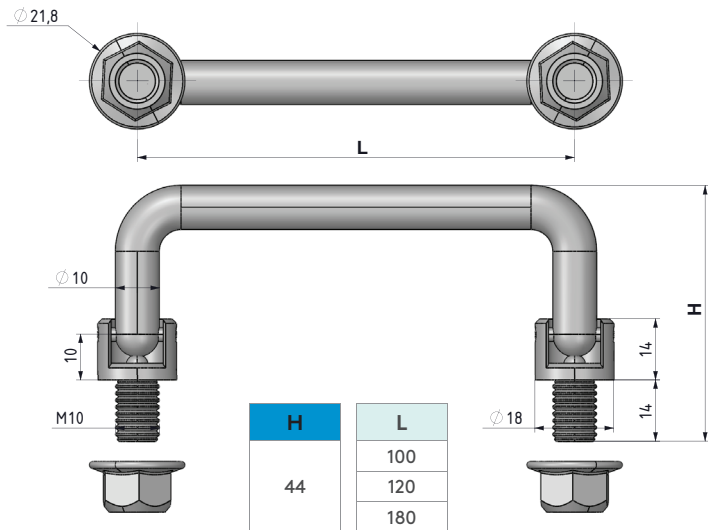
HANDLES

FOLDABLE METAL HANDLE

584



NEW



MATERIAL
Steel ,Stainless Steel

FINISH
Chrome plated, hand polish

MATERIAL	M	FINISH	F
Steel	6	Chrome plated	1
Stainless Steel	4	Hand polish	0

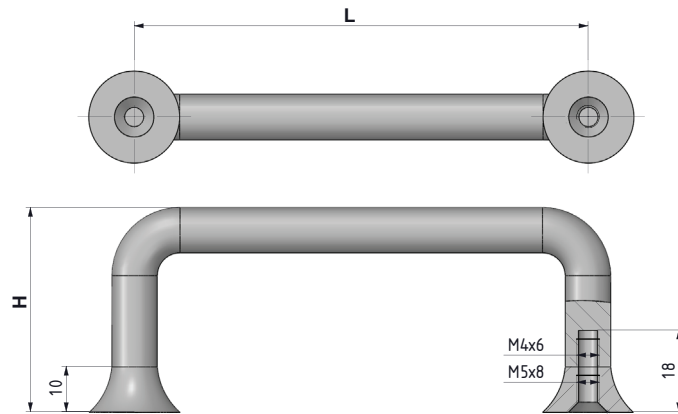
Group Code	Material	Finish	Height	Length
584	M	F	44	L

METAL HANDLE

684



NEW



H	L
40	100
	200

MATERIAL	M	FINISH	F
Steel	6	Chrome plated	1
Stainless Steel	4	Hand polish	0

Group Code	Material	Finish	Height	Length
684	M	F	40	L

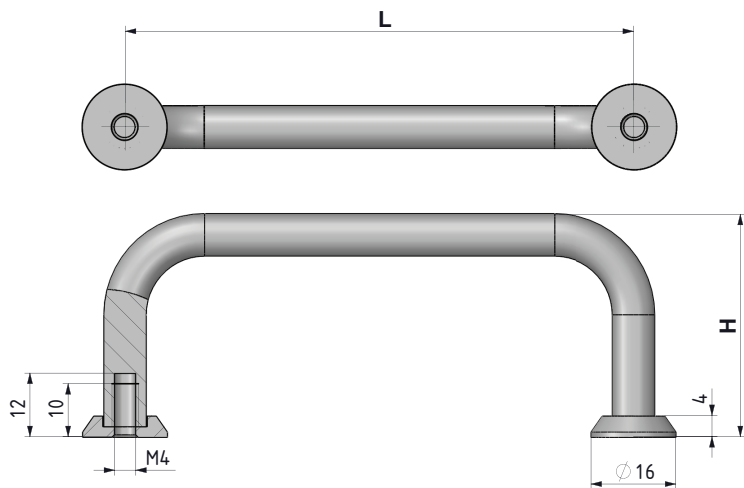
MATERIAL
Steel ,Stainless Steel

FINISH
Chrome plated, hand polish

784

METAL HANDLE

NEW



MATERIAL
Steel ,Stainless Steel

FINISH
Chrome plated, hand polish

H	L
35	96
	100
	120
	128

MATERIAL	M	FINISH	F
Steel	6	Chrome plated	1
Stainless Steel	4	Hand polish	0

Group Code	Material	Finish	Height	Length
784	M	F	35	L

HANDLES

COVER HANDLE

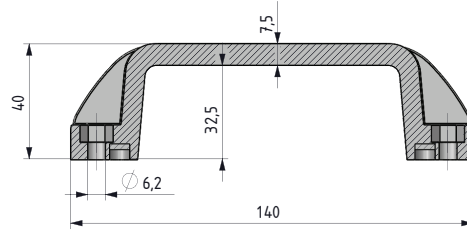
086



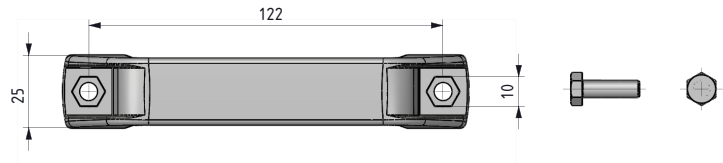
- Two different fixing types

MATERIAL
Polyamide DIN-EN ISO 1043-1
PA 6 GFR 30

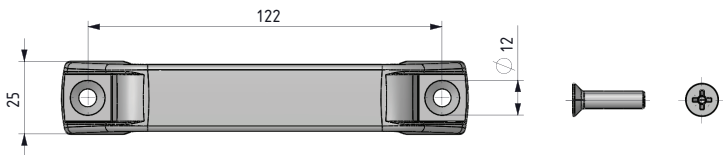
⚠ This product can be produced as anti-bacterial with PA6 GFR 30% + 6% content. The raw material used has been tested in the DIN EN ISO 846 standard.



V: 1



V: 2



Group Code	Version
086	V

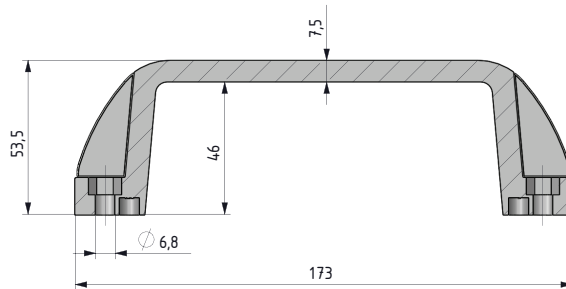
COVER HANDLE

186

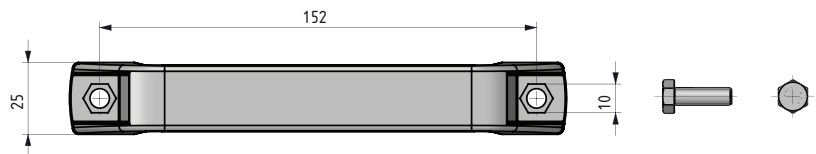


- Two different fixing types

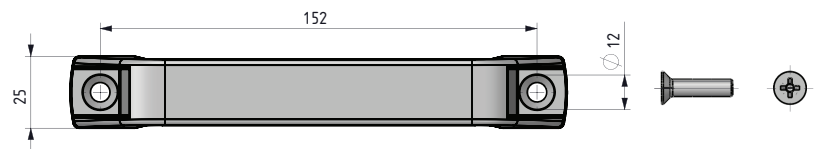
MATERIAL
Polyamide DIN-EN ISO 1043-1
PA 6 GFR 30



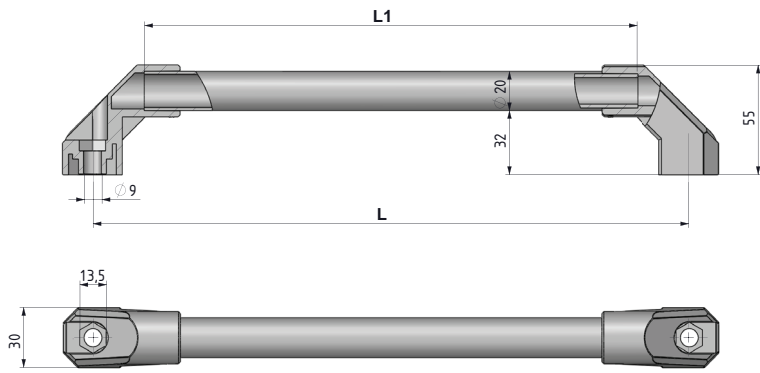
V: 1



V: 2



Group Code	Version
186	V



L1	L
148	200
248	300
348	400
448	500

Group Code	Length
087	L

350002002Y
Side part



087

COVER HANDLE



- Matte anodized aluminium
- For different colours and dimensions contact Essentra

MATERIAL

FIXING PART: Polyamide DIN-EN ISO 1043-1 PA 6 GFR 30

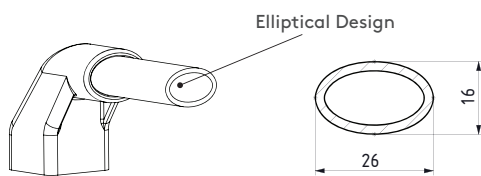
HANDLE: Aluminium

287

COVER HANDLE



L1	L
154	200
254	300
354	400
454	500



Group Code	Length
287	L

- Ergonomic elliptical geometry
- Matte anodized aluminium
- For different colours and dimensions contact Essentra

MATERIAL

FIXING PART: Polyamide DIN-EN ISO 1043-1 PA 6 GFR 30

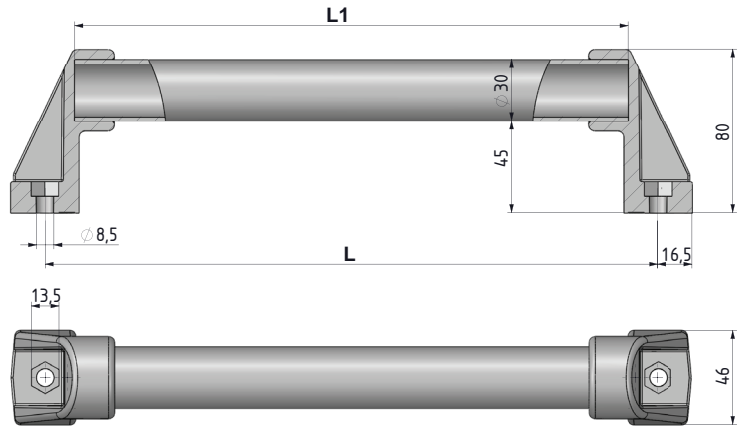
HANDLE: Aluminium



HANDLES

COVER HANDLE

187



- Plastic-coated steel tube
- Centre supports should be used for handle lengths of 1000 mm or more
- For different colours and dimensions contact Essentra

MATERIAL

FIXING PART: Polyamide DIN-EN ISO 1043-1 PA 6 GFR 30
HANDLE: Plastic coated steel

L1	L
269	300
369	400
469	500
569	600
669	700
769	800
869	900



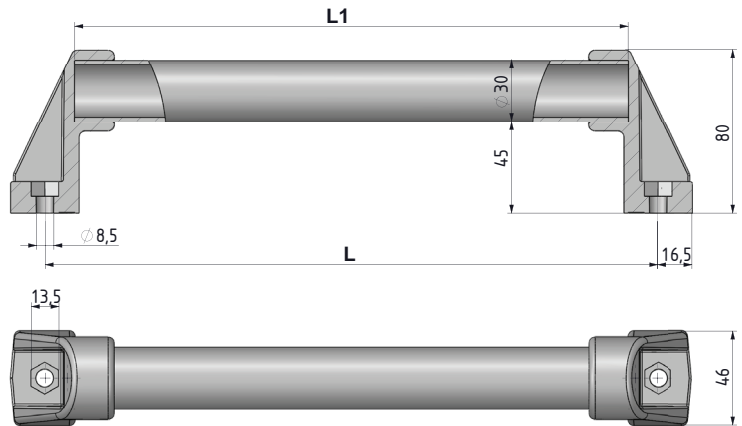
34002501Y

! Middle part should be used for lengths greater than 900 mm

Group Code	Length
187	L

COVER HANDLE

487



- Stainless steel handle
- Centre supports should be used for handle lengths of 1000 mm or more
- For different colours and dimensions contact Essentra

MATERIAL

FIXING PART: Polyamide DIN-EN ISO 1043-1 PA 6 GFR 30
HANDLE: Stainless steel

L1	L
269	300
369	400
469	500
569	600
669	700
769	800
869	900



34002501Y

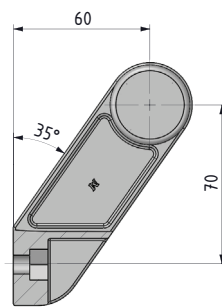
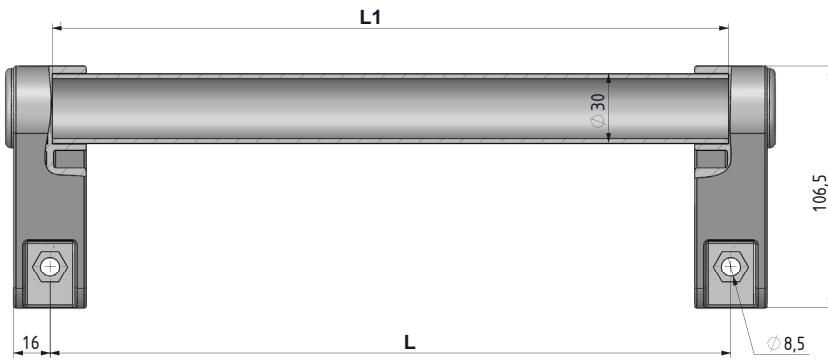
! Middle part should be used for lengths greater than 900 mm

Group Code	Length
487	L



387

COVER HANDLE



- Plastic-coated steel tube
- Centre supports should be used for handle lengths of 1000 mm or more
- For different colours and dimensions contact Essentra

MATERIAL

FIXING PART: Polyamide DIN-EN ISO 1043-1 PA 6 GFR 30
 HANDLE: Plastic-coated steel

L1	L
298	300
398	400
498	500
598	600
698	700
798	800
998	1000



! Middle part should be used for lengths greater than 1000 mm

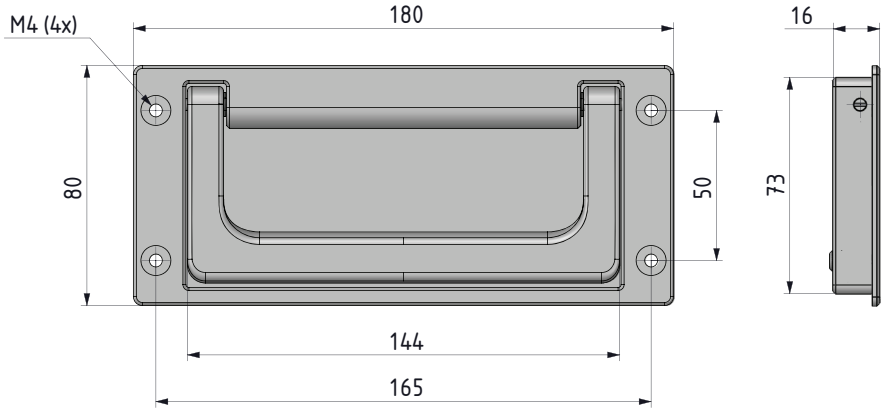
Group Code	Length
387	L

HANDLES

FLUSH SPRING HANDLE

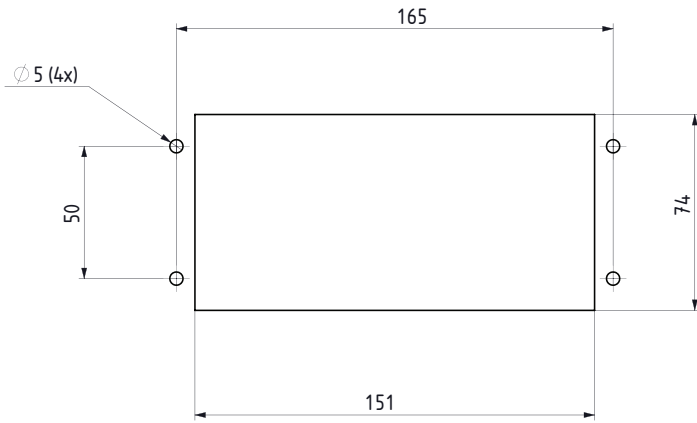
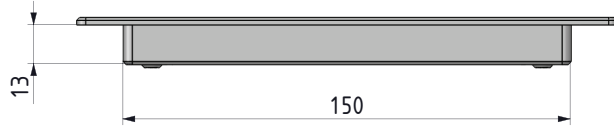
082

NEW



MATERIAL
 BODY: Aluminium
 HANDLE: Aluminium

FINISH
 Black coated



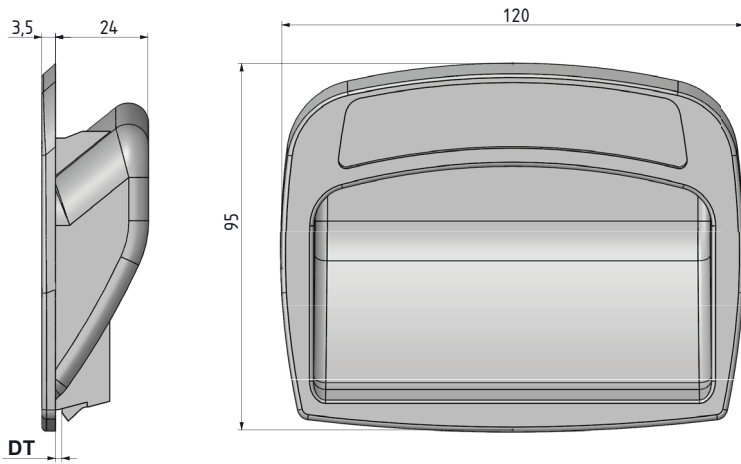
Cut out

Group Code	Material	Finish
082	5	2



374

COVER PULL (SNAP-IN)

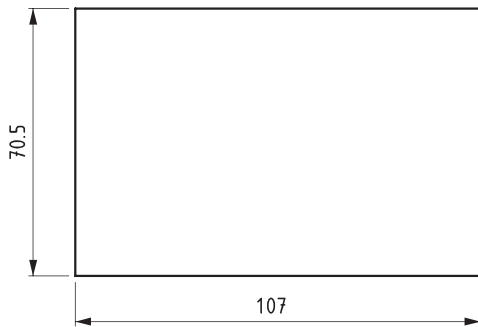


- Easy assembly by clips
- For custom logo and colors please contact Essentra

MATERIAL
ABS



This product can be produced as anti-bacterial with PA6 GFR 30% + 6% content. The raw material used has been tested in the DIN EN ISO 846 standard.



Cut out

DOOR THICKNESS	DT
0.8 - 1.4 mm	15
1.5 - 2.2 mm	22

Group Code	Door Thickness
374	DT

HANDLES

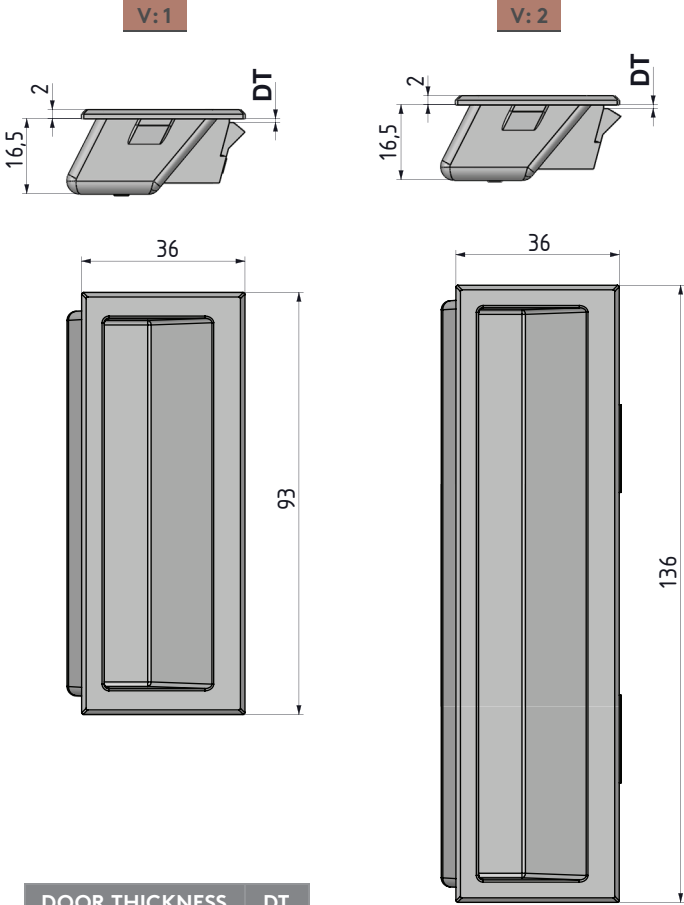
COVER PULL (SNAP-IN)

274

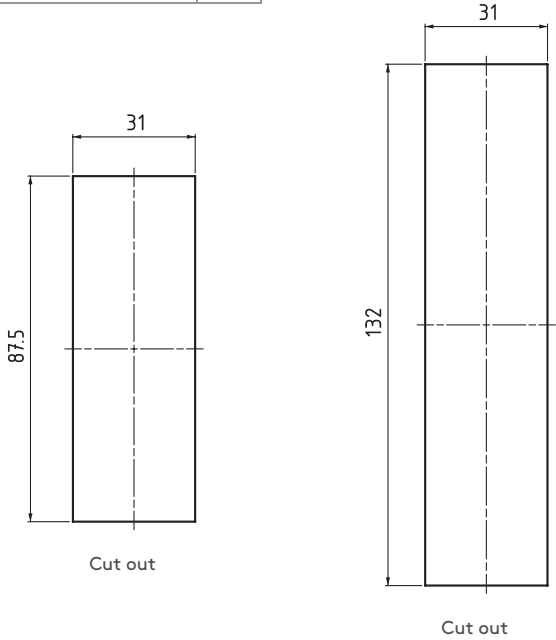


- Flush design
- Easy assembly by clips

MATERIAL
ABS



DOOR THICKNESS	DT
0.8 - 1.4 mm	15
1.5 - 2.2 mm	22

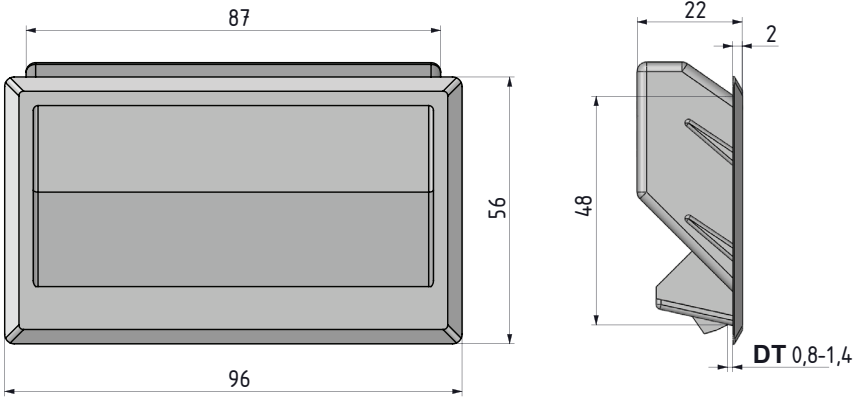


Group Code	Version	Door Thickness
274	V	DT



074

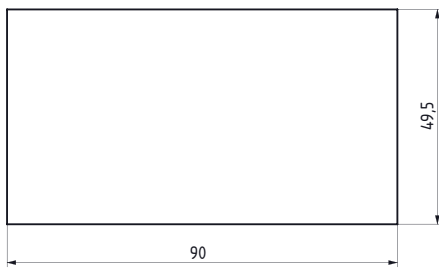
COVER PULL (SNAP-IN)



- For large door
- Easy assembly by clips

MATERIAL
 ABS

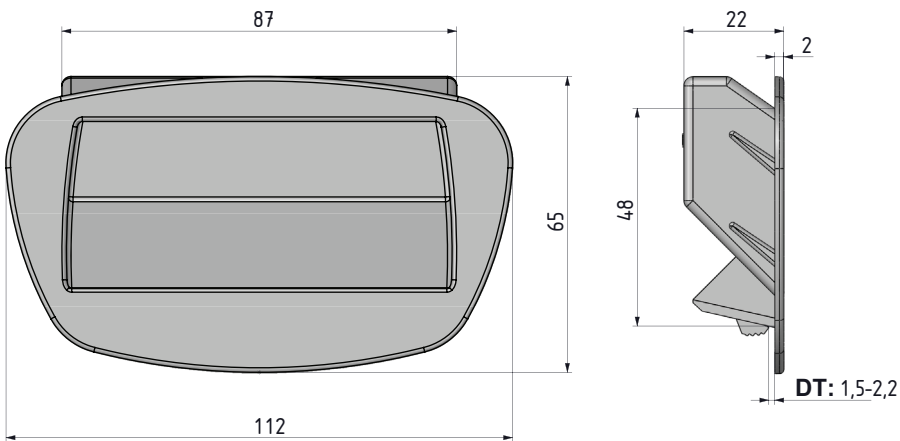

This product can be produced as anti-bacterial with PA6 GFR 30% + 6% content. The raw material used has been tested in the DIN EN ISO 846 standard.



Cut out

174

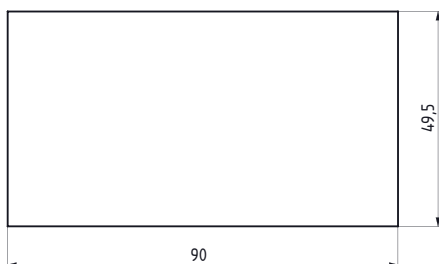
COVER PULL (SNAP-IN)



- For large door
- Easy assembly by clips

MATERIAL
 ABS


This product can be produced as anti-bacterial with PA6 GFR 30% + 6% content. The raw material used has been tested in the DIN EN ISO 846 standard.



Geçiş Ölçüsü

NEW



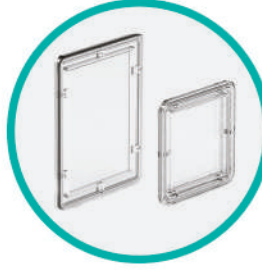
422-423



424



425



426



427



428



429



430



431



432



433



433



434



435



436



437



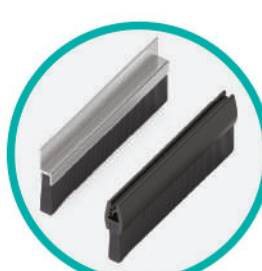
438



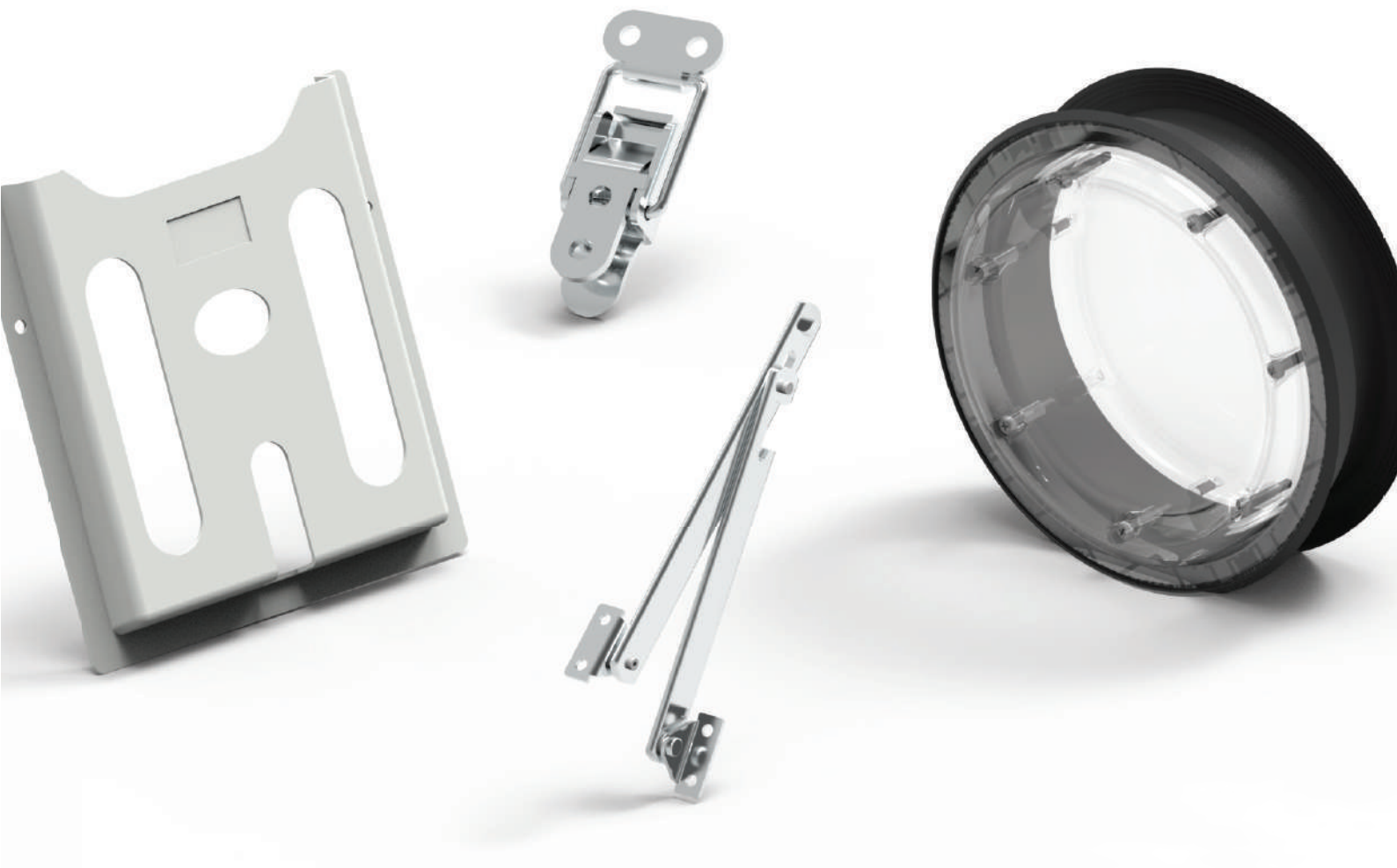
439



440



441



ACCESSORIES

420-441

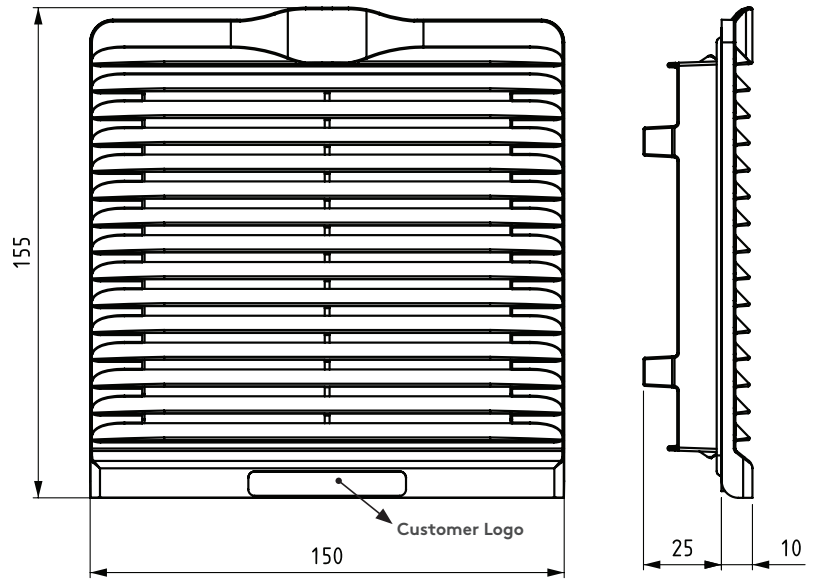


VENTILATION SHUTTER

2300



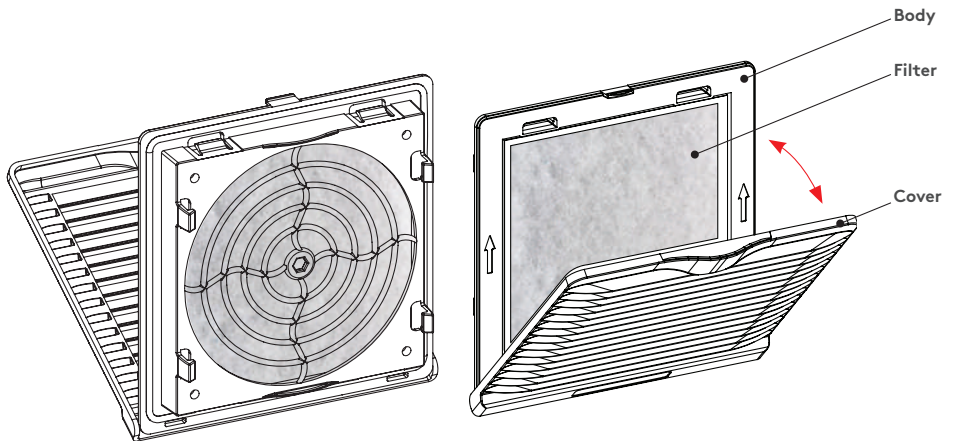
NEW



- Ergonomic and modern design
- Quick assembly by clips
- Easy to open cover
- Suitable sheet thickness is between 1.2 mm and 2.4 mm
- Optional foam gasketing
- For different color requests, please contact our sales team

MATERIAL
ABS

COLORS
RAL 7035, RAL 7032, RAL 9005



FILTER TYPES (please order separately)



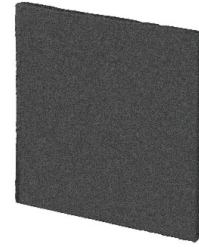
Eco Filter

Part Code:
340.02.910



G2 Filter

Part Code:
340.02.911



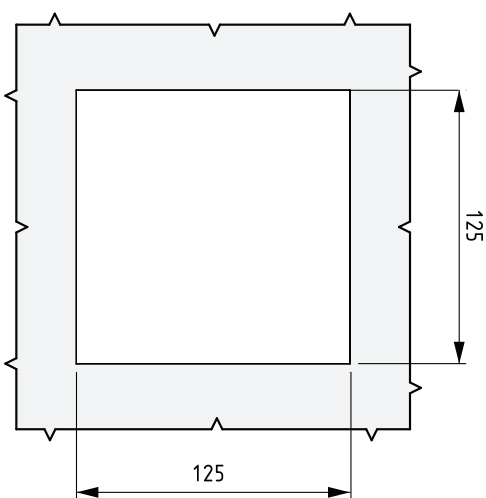
G3 Filter

Part Code:
340.02.912

Material : Polyester Elyaf
Thickness : 10 mm

Material : Polyester Fiber
Thickness : 10 mm
Maximum operating temperature: 100° C
Preffered air velocity : 1,5 m/s
Initial pressure drop : 15 Pa
Average gravimetric efficiency : 79,5%
Classification (EN 779:2012) : G2
Dust holding capacity : 489 g/m2
Flame resistant : F1 - DIN.53438

Material : Polyurethane
Thickness : 10 mm
Maximum operating temperature: 80° C
Preffered air velocity : 1,5 m/s
Initial pressure drop : 33 Pa
Average gravimetric efficiency : 82 %
Classification (EN 779:2012) : G3
Dust holding capacity : 300 g/m2
Flame resistant : Self-extinguishing

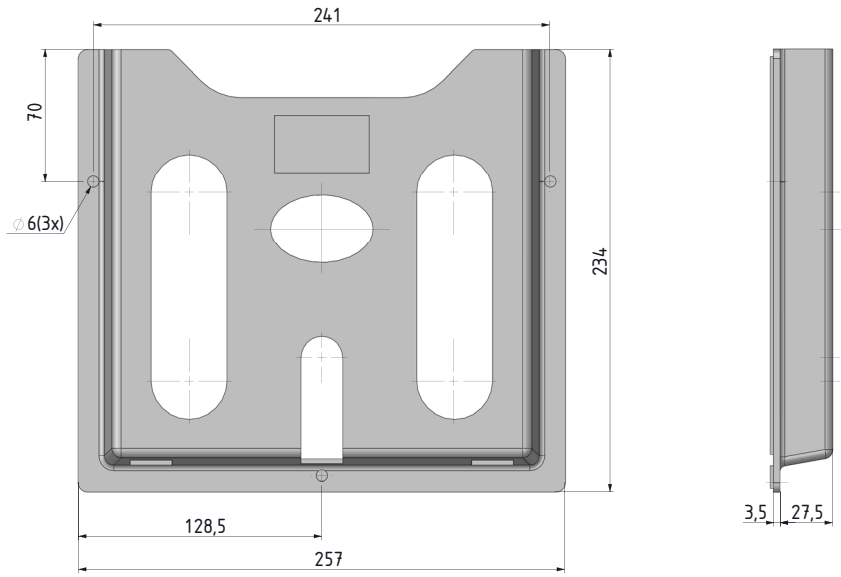


Cut out

COLORS	FILTER TYPE	PRODUTC CODE
RAL 7035	No Filter	2300.2.01.00
	Eco Filter	2300.2.01.01
	G2 Filter	2300.2.01.02
	G3 Filter	2300.2.01.03
RAL 7032	No Filter	2300.2.02.00
	Eco Filter	2300.2.02.01
	G2 Filter	2300.2.02.02
	G3 Filter	2300.2.02.03
RAL 9005	No Filter	2300.2.03.00
	Eco Filter	2300.2.03.01
	G2 Filter	2300.2.03.02
	G3 Filter	2300.2.03.03

DRAWING POCKET (A4)

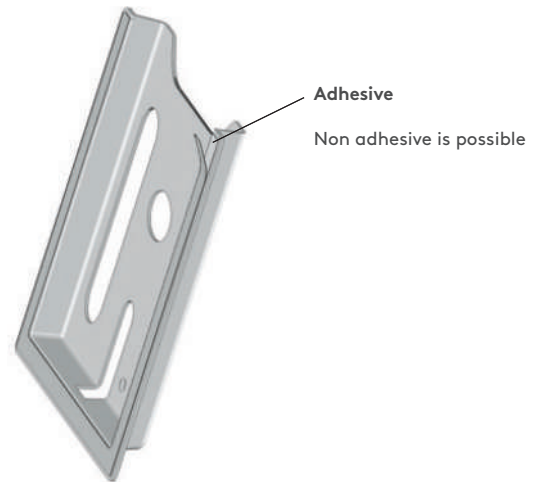
2150



- For A4 size documents. Self adhesive. For special colours or logo, please contact Essentra

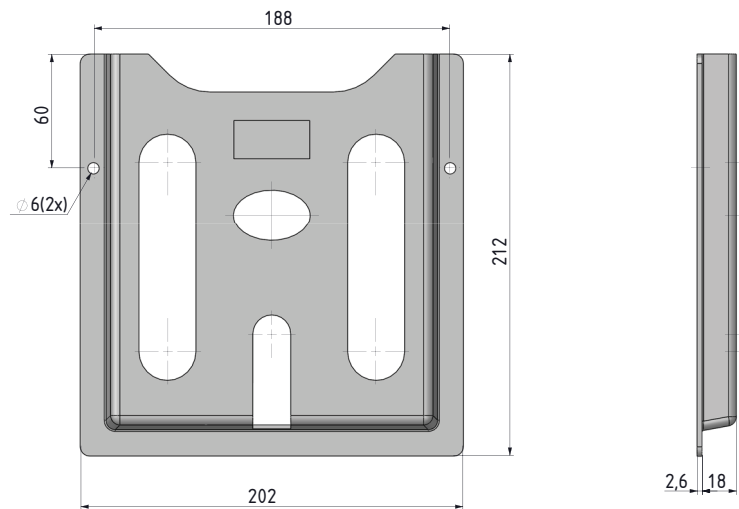
MATERIAL
ABS

COLOR
RAL 7035



DRAWING POCKET (A5)

2152



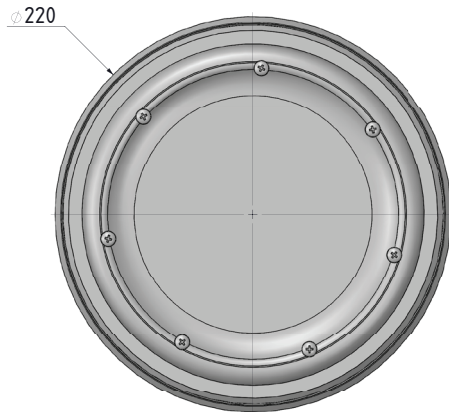
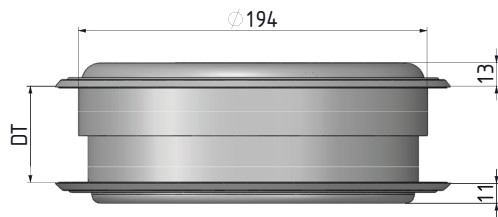
- For A5 size documents. Self adhesive. For special colours or logo, please contact Essentra

MATERIAL
ABS

COLOR
RAL 7035

2220

CIRCULAR INSPECTION WINDOW



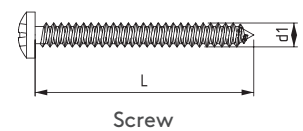
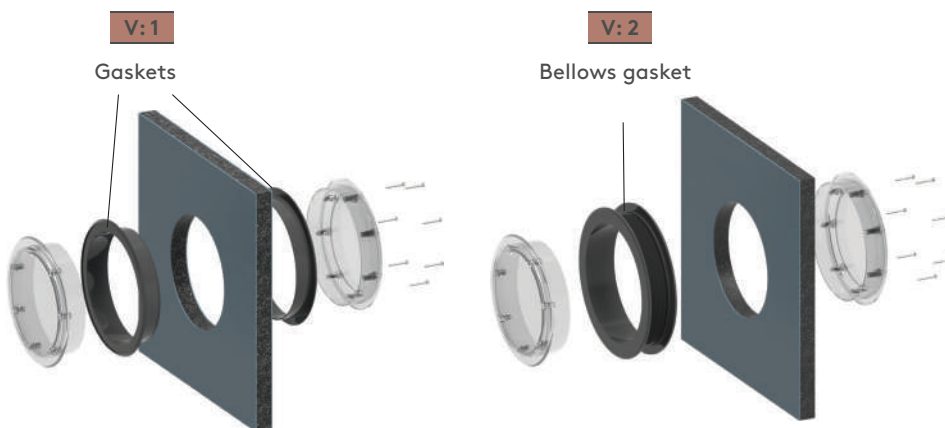
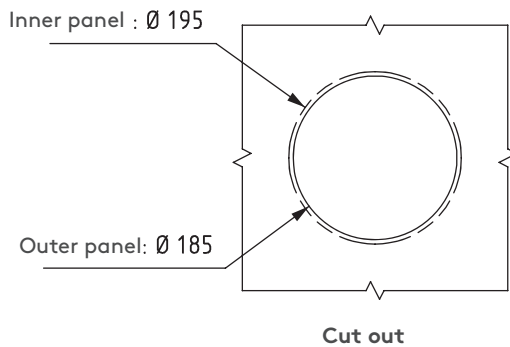
DT
30
40
50
60



- Visual inspection of HVAC enclosures
- Adjustable for 30-60 mm isolated doors
- Mounting with 7 screws

MATERIAL

WINDOW: Polycarbon
GASKET: Termo rubber



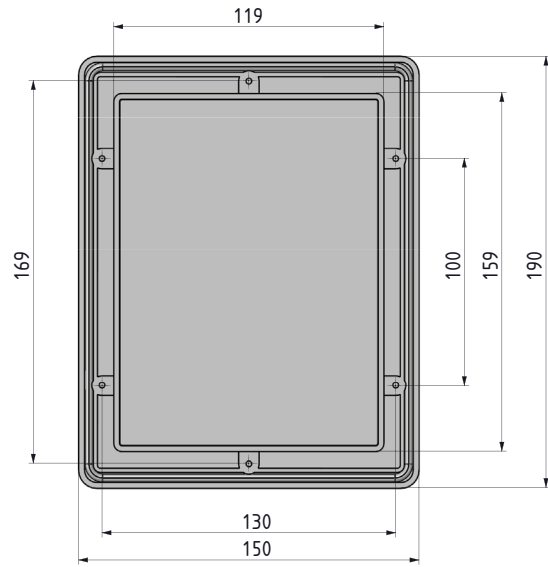
Screw

D1	L	STOCK CODE
4.2	38	306.03.138
4.2	45	306.03.304
4.2	50	306.03.305
4.2	60	306.03.306

Group Code	Door Thickness	Version
2220	DT	V

COUNTER SCREEN

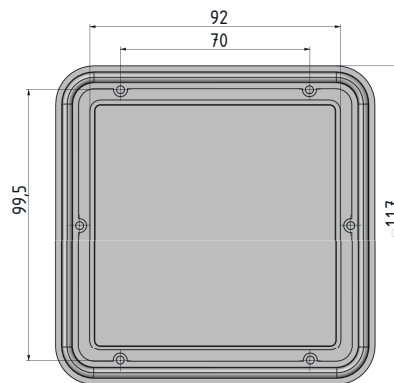
2216



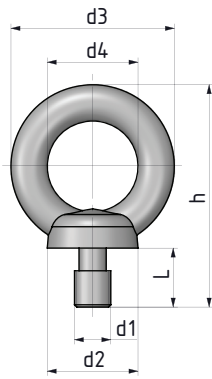
- Allows counters or dials to be viewed from outside enclosure.

COUNTER SCREEN

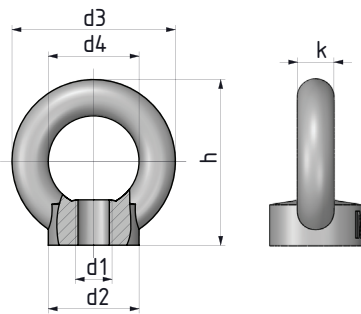
2215



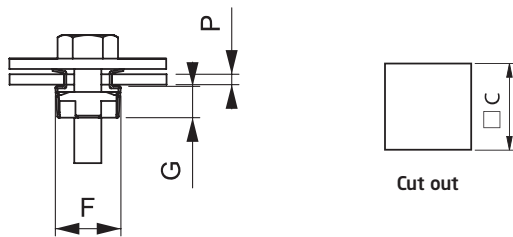
- Allows counters or dials to be viewed from outside enclosure.



d1	Safety Load (90°)	d2 mm	d3 mm	d4 mm	h mm	L mm	Unit weight	PRODUCT CODE
M8	140	20	36	20	49.0	13.0	0.06	2451
M10	230	25	45	25	63.0	17.0	0.10	2452
M12	340	30	54	30	73.5	20.5	0.18	2453
M14	490	35	63	35	87.0	27.0	0.28	2454
M16	700	35	63	35	89.0	27.0	0.28	2455



d1	Safety Load (90°)	d2 mm	d3 mm	d4 mm	h mm	k mm	Unit weight	PRODUCT CODE
M8	140	20	36	20	36	8	0.06	2461
M10	230	25	45	25	45	10	0.09	2462
M12	340	30	54	30	53	12	0.16	2463



Screw	Nut	P	G	F	C	PRODUCT CODE
M5	11x11x4.5	1.7 ~ 2.5	36	20	49.0	2400
M6	11x11x4.5	25	45	25	63.0	2401
M8	14x14x5.5	3.3 ~ 4.1	54	30	73.5	2402

EYEBOLT



- Enable enclosure or machine to be moved easily.

EYEBOLT



- Enable enclosure or machine to be moved easily.

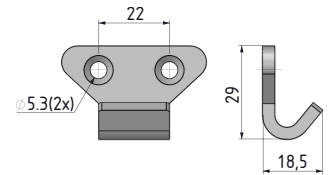
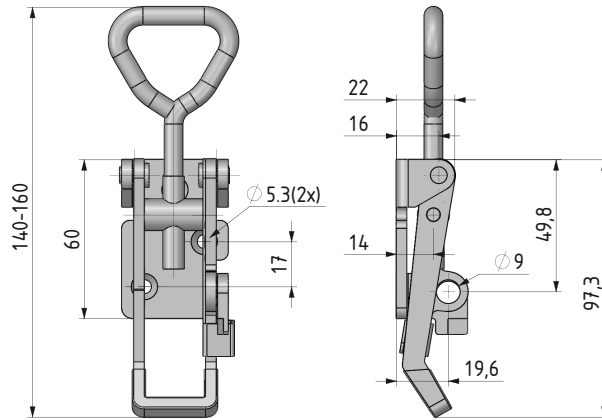
CAGE NUT



- Designed for attaching two steel plates

TOGGLE LATCH

340.00.135



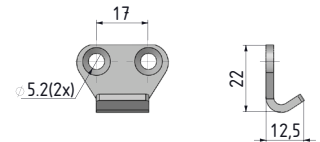
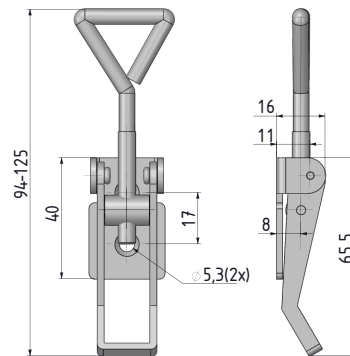
Catch plate

- Adjustable type draw latch.
- Padlockable version
- Used with a special catch plate

MATERIAL AND FINISH
Steel -Zinc Plated

TOGGLE LATCH

340.00.133



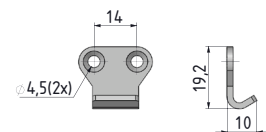
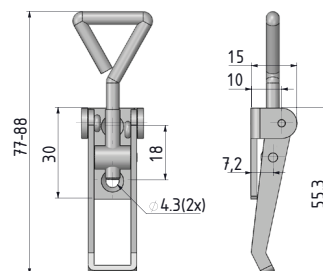
Catch plate

- Used for tool boxes, cabinets

MATERIAL AND FINISH
Steel -Zinc Plated

TOGGLE LATCH

340.00.131

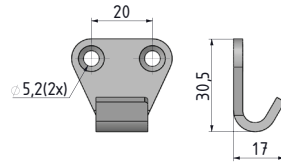
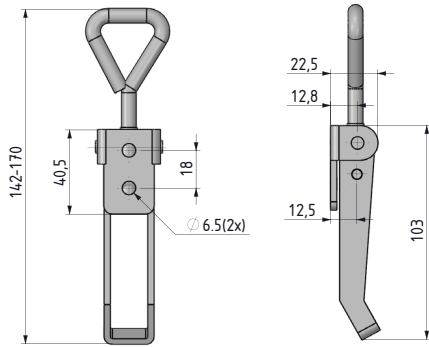


Catch plate

- Used for tool boxes, cabinets

MATERIAL AND FINISH
Steel -Zinc Plated

- Stainless steel version: page 514



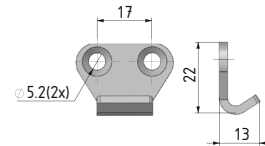
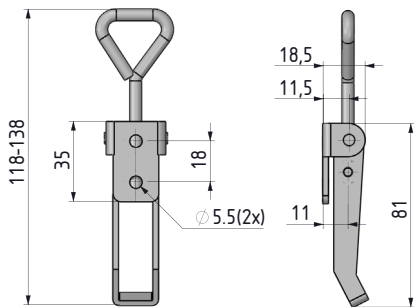
Catch plate

2702

TOGGLE LATCH



MATERIAL AND FINISH
Steel -Zinc Plated



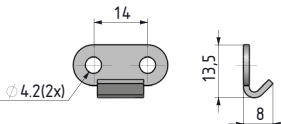
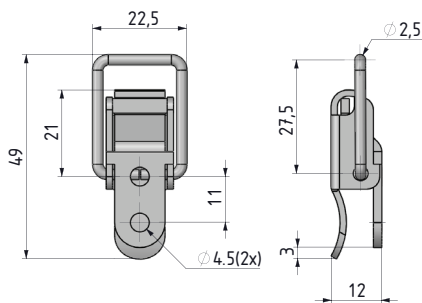
Catch plate

2701

TOGGLE LATCH



MATERIAL AND FINISH
Steel -Zinc Plated



Catch plate

2700

TOGGLE LATCH



MATERIAL AND FINISH
Steel -Zinc Plated

Group Code	Material	Finish
	6	3

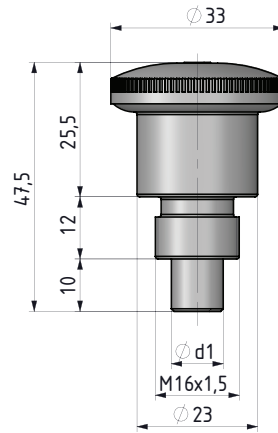
MINI INDEXING PLUNGERS



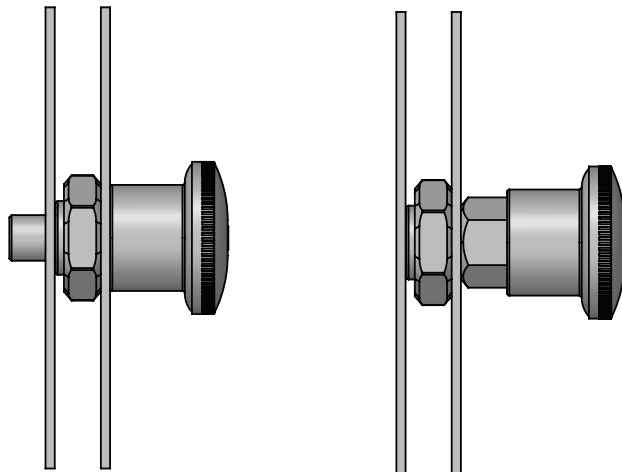
- Suitable for assembly on thin sheets.

MATERIAL

- KNOB : Polyamide DIN EN ISO 1043-1 PA6 GFR 30
 BODY : Steel
 NUT : Steel
 PIN : Stainless Steel
 Finish : Zinc Plated

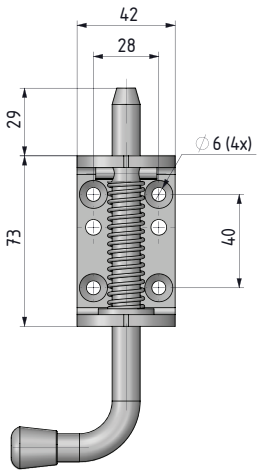
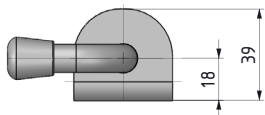


Product code	ød1	Stroke
2760	10	10
2761	8	8
2762	6	6

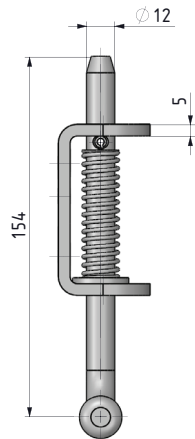


Locked position

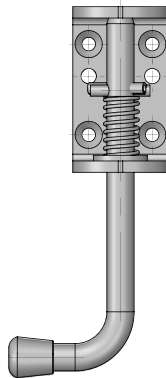
Open position



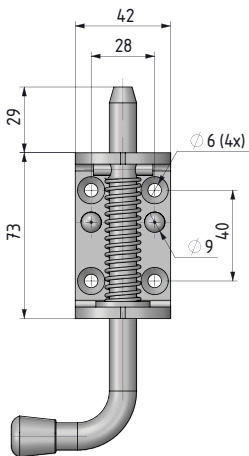
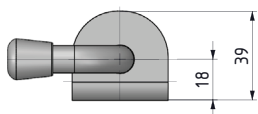
Locked position



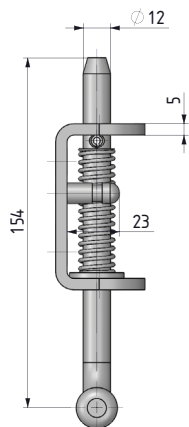
Stroke length: 29 mm



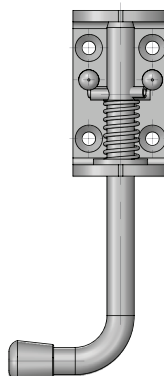
Open position
Should hold with hand



Locked position



Stroke length: 29 mm



Open position

Group Code	Material	Finish
	6	3

2750

SPRING LOADED LATCH WITHOUT STUD



- Versatile galvanized steel latch great for wood or metal application.

MATERIAL

- Body : Steel
- Pin : Steel
- Finish : Zinc Plated

2751

SPRING LOADED LATCH WITH STUD



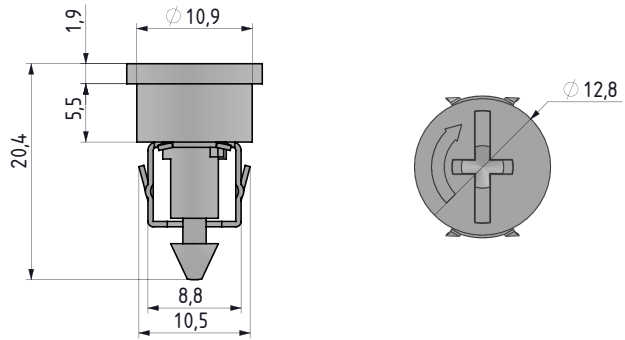
- Pin system allows for the latch to be locked in the open position.
- Non-directional.

MATERIAL

- Body : Steel
- Pin : Steel
- Finish : Zinc Plated

SCREW

340.02.430



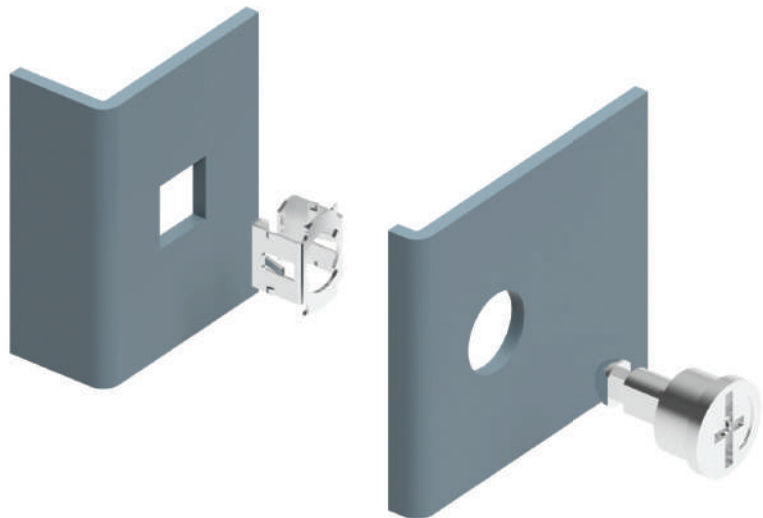
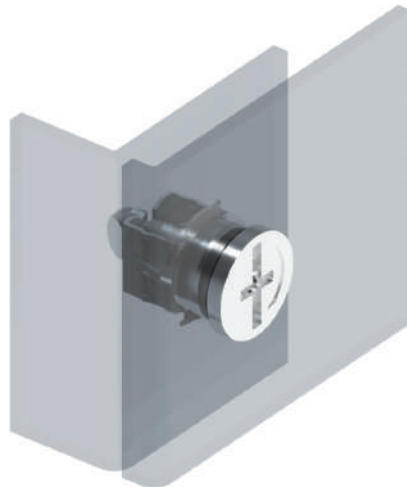
- Provides easy fixing with quarter turn

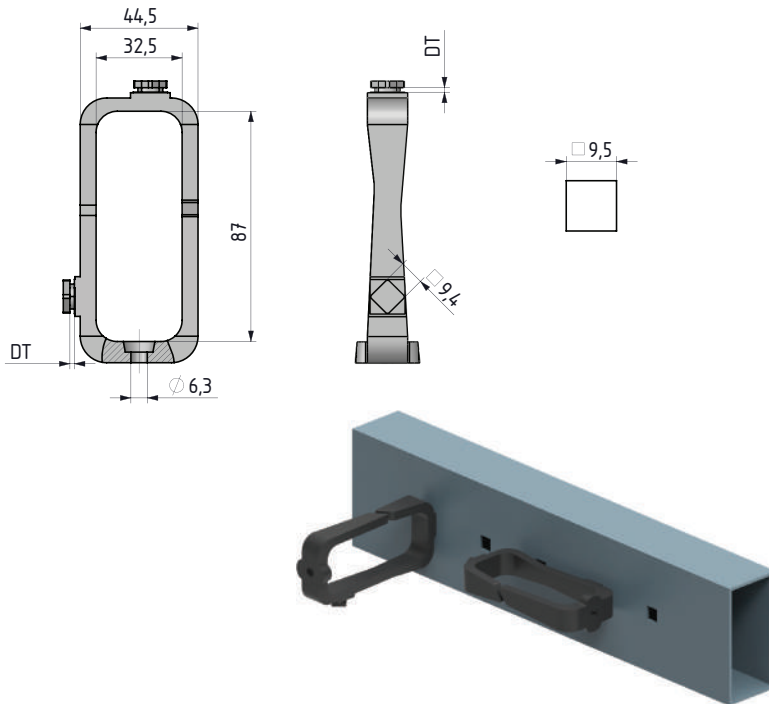
MATERIAL

SCREW: Zamak DIN-EN
1774-ZnAl4Cu1l
CATCH PLATE : Steel

FINISH

Zinc plated





DT (DOOR THICKNESS)	PRODUCT CODE
1.3 - 1.5 mm thickness panel	320.02.164
1.6 - 2.0 mm thickness panel	320.02.165

CABLE SHUNTING RING

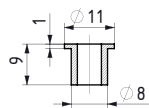
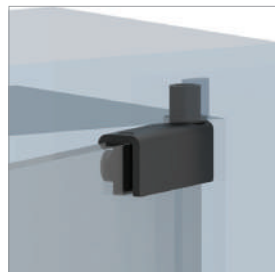
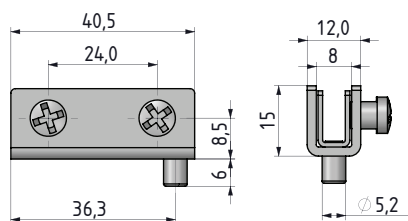


- Quick fixing in a square hole by turning 45 degrees
- Mounting by M6 Screw as an option
- Install horizontally or vertically

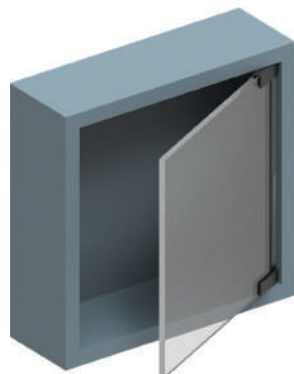
MATERIAL
PA 6 Black

025

GLASS HINGE



Busing



ASSEMBLY APPLICATION	
Bottom	001
Top	002

- Suitable for glass thickness max. 6 mm
- The glass is safe from damage between the plastic plates and the steel m6x6 screw

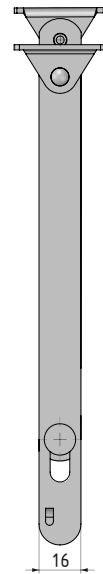
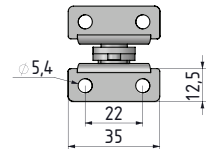
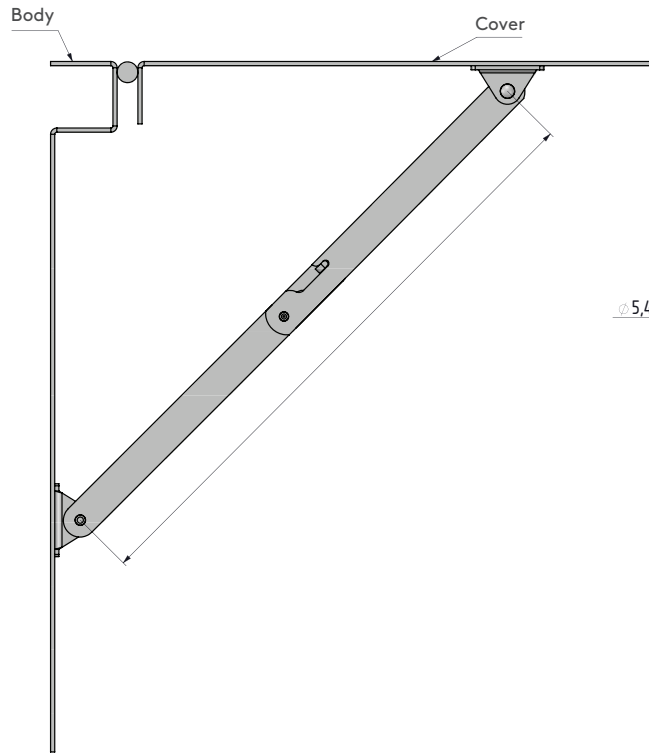
MATERIAL
Body : Steel
Screw : Steel
Busing : Delrin

Group Code	Material	Finish	Assembly application
025	6	F	

FINISH	F
Nickel	4
Black coated	2

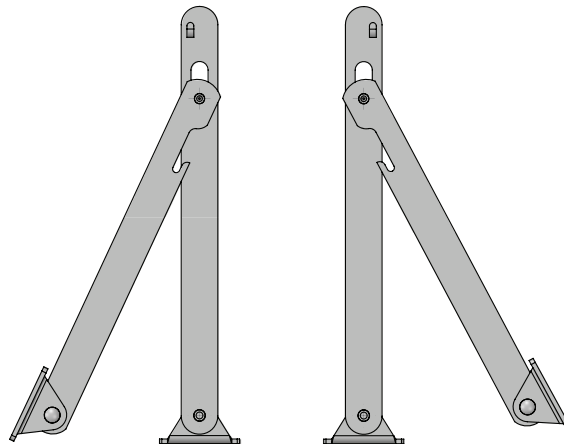
COVER STAY

079



LEFT

RIGHT



Lmm
292
202
135

MATERIAL
Steel
FINISH
Zinc plated

• Stainless steel version: page 516

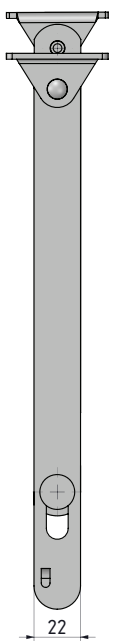
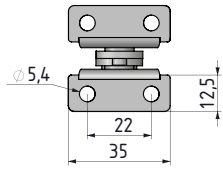
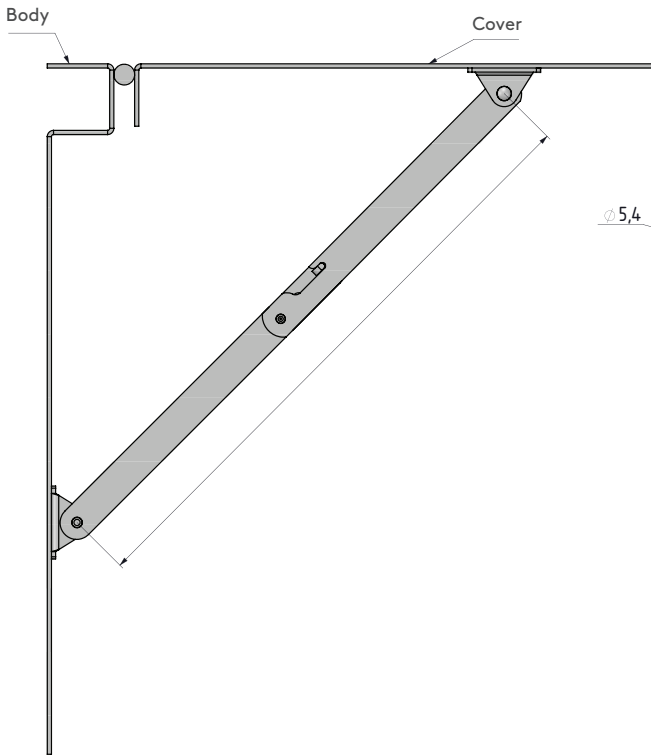
Group Code	Material	Finish	Length	Door Direction
079	6	3	L	

DOOR DIRECTION	
Right hand	001
Left hand	002

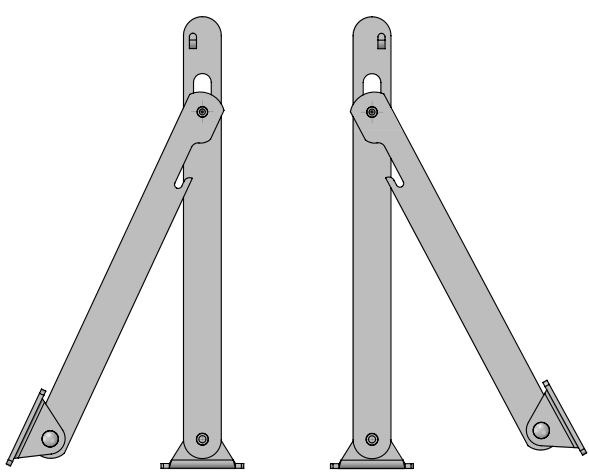


279

COVER STAY



LEFT RIGHT



Lmm
292
202
135

- Stainless steel version: page 515
- Suitable for heavy-duty applications
- Manufactured using 4 mm thick steel

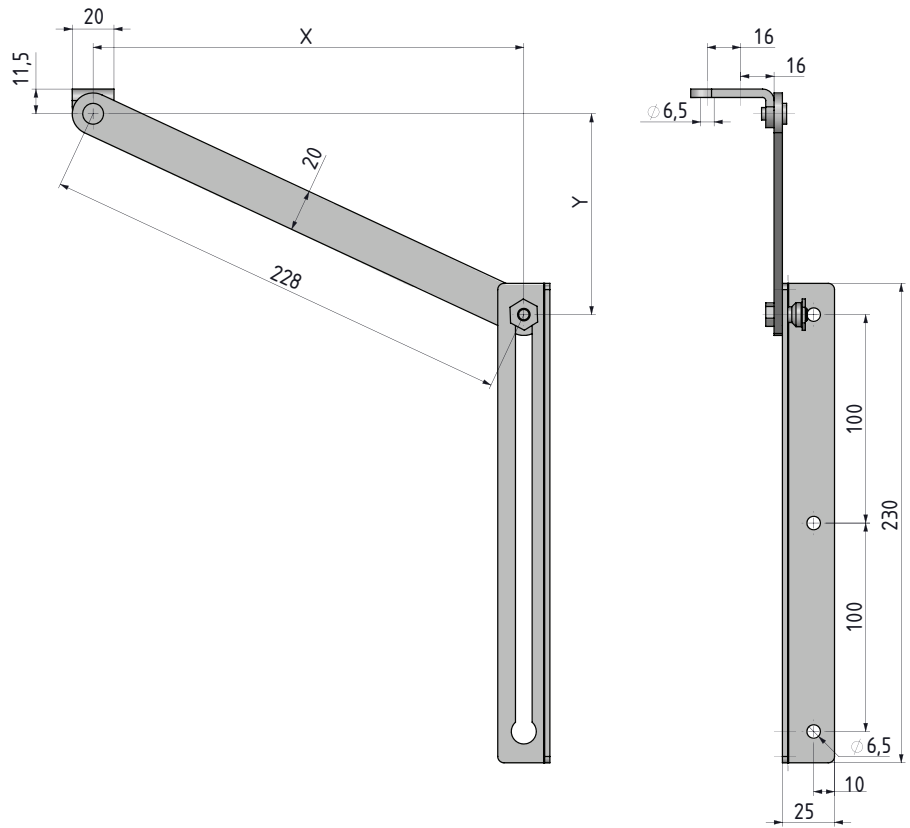
MATERIAL
Steel
FINISH
Zinc plated

Group Code	Material	Finish	Length	Door Direction
279	6	3	L	

DOOR DIRECTION	
Right hand	001
Left hand	002

COVER STAY

179



- Stainless steel version: page 517
- Cover Stay with automatic lock to keep the door open
- LH and RH application is possible

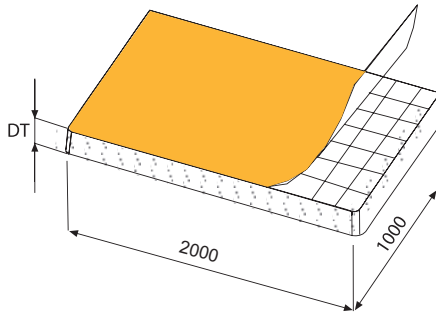
MATERIAL
Steel
FINISH
Zinc plated

Installation dimensions

OPENING ANGLE	DIMENSIONS		MINIMAL DOOR WIDTH
	X	Y	
90°	140	180	405
105°	120	166	390
120°	110	150	375
135°	100	146	370

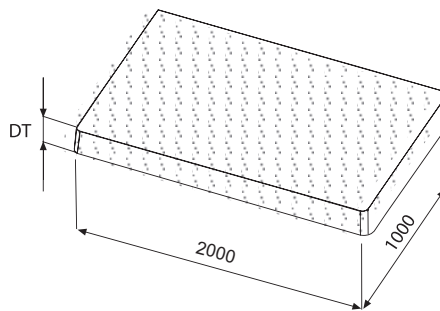
For other configurations:
y = X + min.40

Group Code	Material	Finish
179	6	3



Self - adhesive

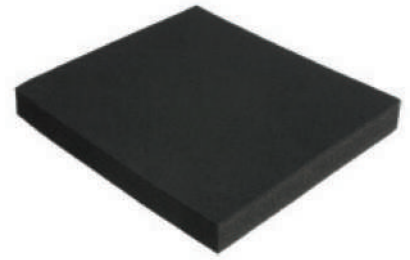
DT MM	PRODUCT CODE
30	340.10.046
40	340.10.047
50	340.10.048



Non - adhesive

DT MM	PRODUCT CODE
30	340.10.066
40	340.10.067
50	340.10.068

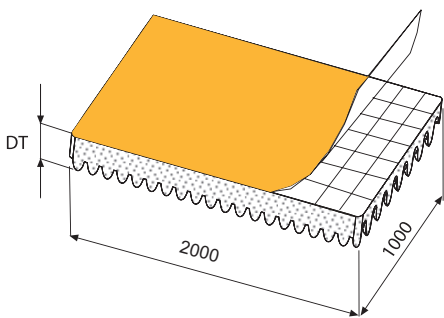
ACOUSTIC SPONGE
(FLAT TYPE)



- With or without Adhesive band at back side is available
- Can be supplied as plate or Roll type.
- Provides sound and heat isolation
- Flame retardant properties
- Can be used between -30 , +130 °C
- Please contact Essentra for different sizes

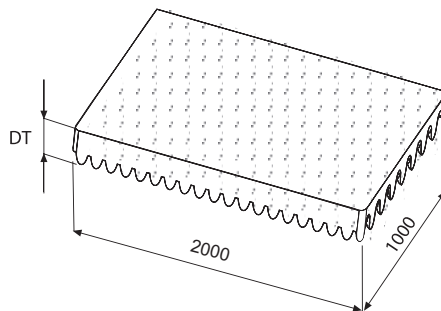
MATERIAL
Polyurethane

COLOR
Black



Self - adhesive

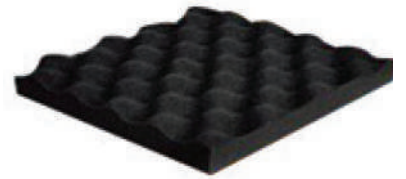
DT MM	PRODUCT CODE
30	340.10.006
40	340.10.007
50	340.10.008



Non - adhesive

DT MM	PRODUCT CODE
30	340.10.026
40	340.10.027
50	340.10.028

ACOUSTIC SPONGE
(FORMED TYPE)

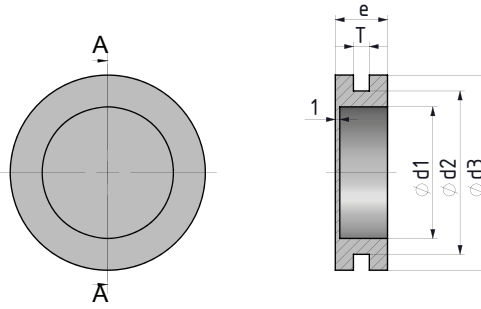


- With or without Adhesive band at back side is available
- Can be supplied as plate or Roll type.
- Provides sound and heat isolation
- Flame retardant properties
- Can be used between -30 , +130 °C
- Please contact Essentra for different sizes

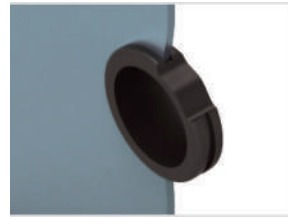
MATERIAL
Polyurethane

COLOR
Black

DIAPHRAGM GROMMETS



- For use as a blanking grommet prior to installation of cables
- The membrane is drilled while using as a wire protector
- Produced from NBR rubber
- Suitable for different wire diameters

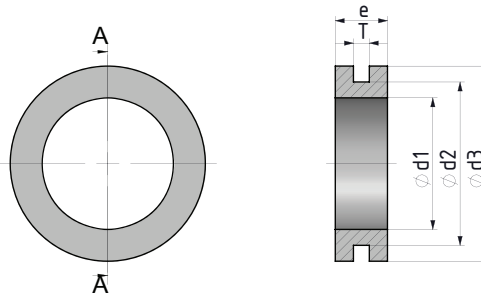


APPLICATIONS
Electric panels

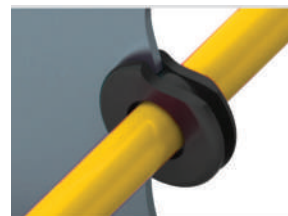
MATERIAL
NR Rubber, or TP
COLOR
Black

Ø D1 MM	Ø D2 MM	Ø D3 MM	T MM	E MM	PRODUCT CODE
29	36	43	3.5	11.5	340.00.370
39	48.5	52	3.2	12	340.00.371
48.5	57	63.5	3.5	14	340.00.372

DIAPHRAGM GROMMETS

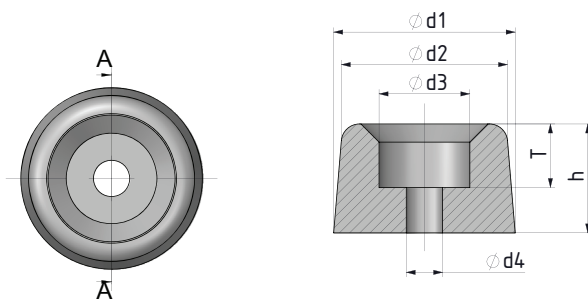


- Used for protecting wires and cables passing through the panel holes.
- Design provides easy fixing of grommet



MATERIAL
NR Rubber, or TP
COLOR
Black

Ø D1 MM	Ø D2 MM	Ø D3 MM	T MM	E MM	PRODUCT CODE
13.5	19.5	27	3.2	8	340.00.380
20	25	30	3.5	11.5	340.00.381
23.5	29	34	3.5	11.5	340.00.382
38.5	48.5	52	3.2	11.5	340.00.383



Ø D1 MM	Ø D2 MM	Ø D3 MM	Ø D4 MM	T MM	E MM	PRODUCT CODE
20	18	10	4	7	12	340.08.010
20	19	10	4	8	22.5	340.08.011
30	25	14	4	20	30	340.08.012
40	38	13	6	12	32	340.08.013

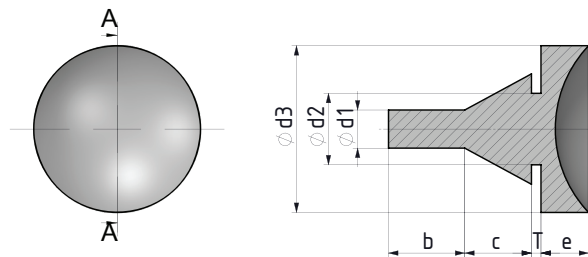
RUBBER STOPPER



- Prevents damage to doors
- Design provides easy fixing of grommet.

MATERIAL
NR Rubber, or TP
COLOR
Black

RUBBER PLUG



Ø D1 MM	Ø D2 MM	Ø D3 MM	T MM	B MM	C MM	E MM	PRODUCT CODE
2.5	4	14	2.5	13.5	3.5	8	340.00.400
4	7	17.5	1.5	8.5	6	5	340.00.401
4	7	18	2	8.5	6	6	340.00.402



- For use as a blanking grommet prior to installation of cables
- Suitable for different sheet thickness and diameters
- Design provides easy fixing

MATERIAL
NR Rubber, or TP
COLOR
Black

DOOR HOLDBACK

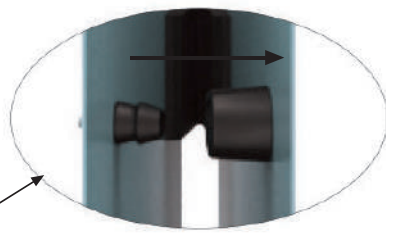
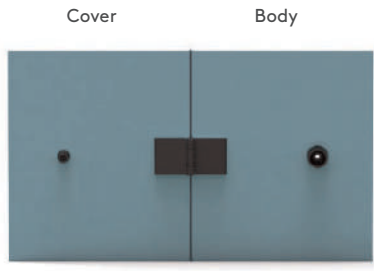
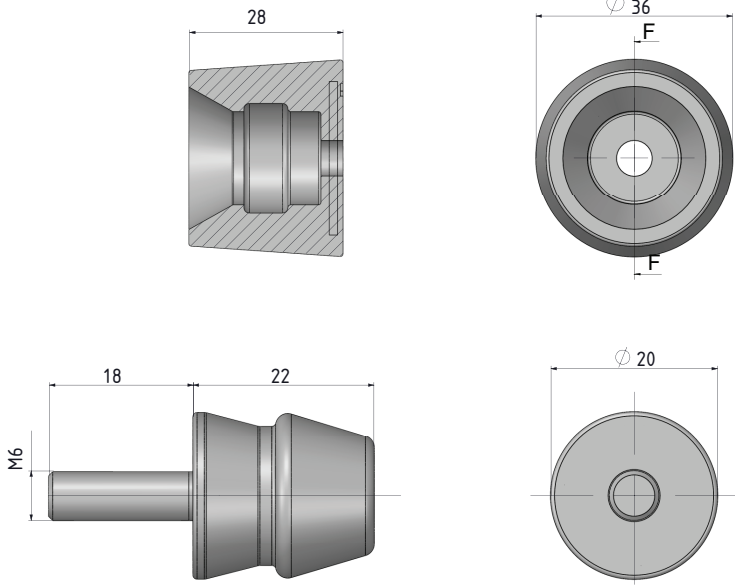
340.08.001



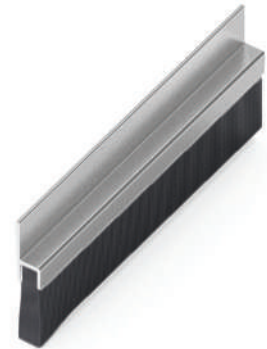
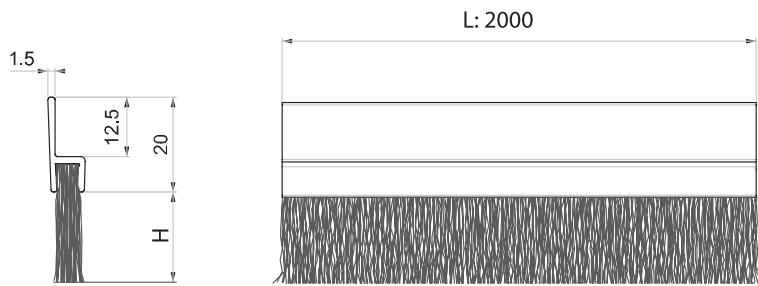
- Provides good shock absorbing properties while the door contacts with frame of the cabinet
- Keeps the door at open position and can be used instead of cover stays
- Suitable for outdoor cabinets with high corrosion resistance

MATERIAL
NBR Rubber

COLOR
Black



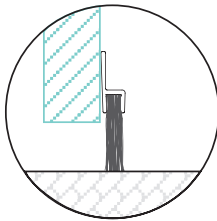
**DOOR BOTTOM BRUSHES
(Screw type)**



- Can be fixed with screw
- Fixing plate is made of Aluminium
- Do not allow dust to go through the cabinets
- Please contact Essentra for different sizes

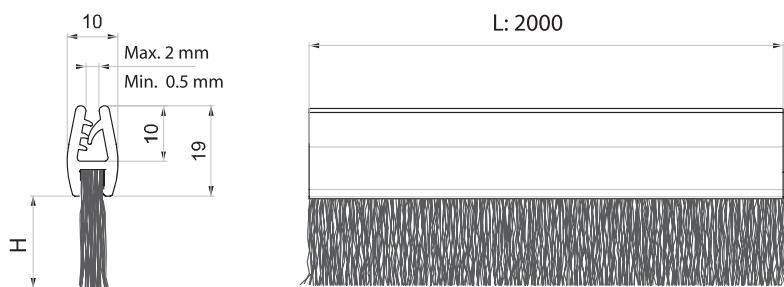
MATERIAL

BODY : Aluminium



H MM	PRODUCT CODE
40	340.20.005.2000
50	340.20.006.2000
60	340.20.007.2000
70	340.20.008.2000
80	340.20.009.2000
90	340.20.010.2000
100	340.20.011.2000

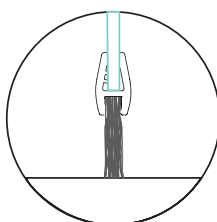
**DOOR BOTTOM BRUSHES
(plug-in type)**



- Can be fixed by plugging in to the door
- Do not allow dust to go through the cabinets
- Please contact Essentra for different sizes

MATERIAL

BODY : Plastic



H MM	PRODUCT CODE
40	340.20.025.2000
50	340.20.026.2000
60	340.20.027.2000
70	340.20.028.2000
80	340.20.029.2000
90	340.20.030.2000
100	340.20.031.2000



444



445



446-447



448-449



450-451



452



453



454



455



456



457



458



458



459



460



461



462



463



464



465



466



467



468



469



470



471



472



473



474



475



476



477



478



479



479



STAINLESS STEEL PRODUCTS- LOCKS-LATCHES

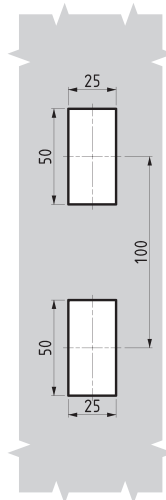
442-479



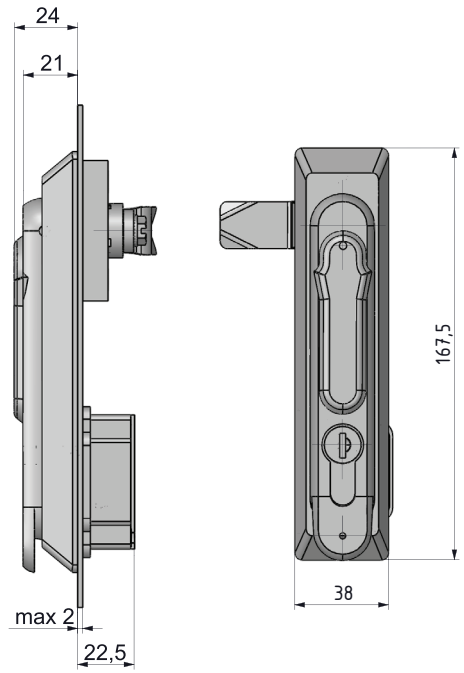
STAINLESS STEEL PRODUCTS

SWINGHANDLE

401



Cut out

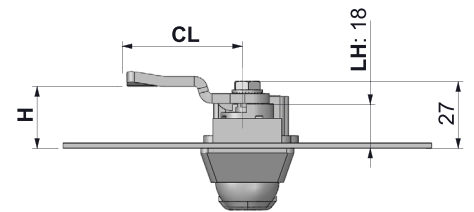
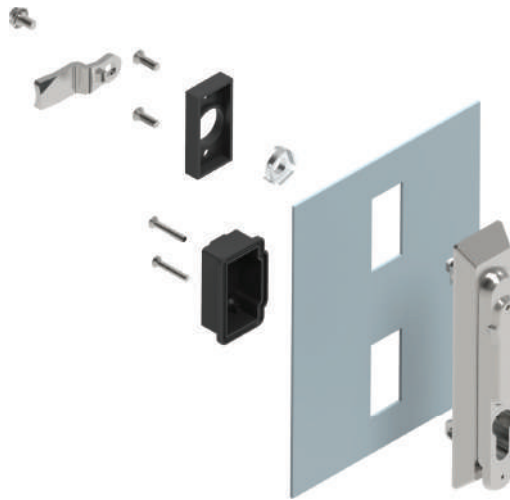


APPLICATIONS

Electric panels, outdoor cabinets

MATERIAL

BODY: Stainless Steel (AISI 316)
 HANDLE: Stainless Steel (AISI 316)
 CAM: Stainless Steel
 GASKET: Polyurethane



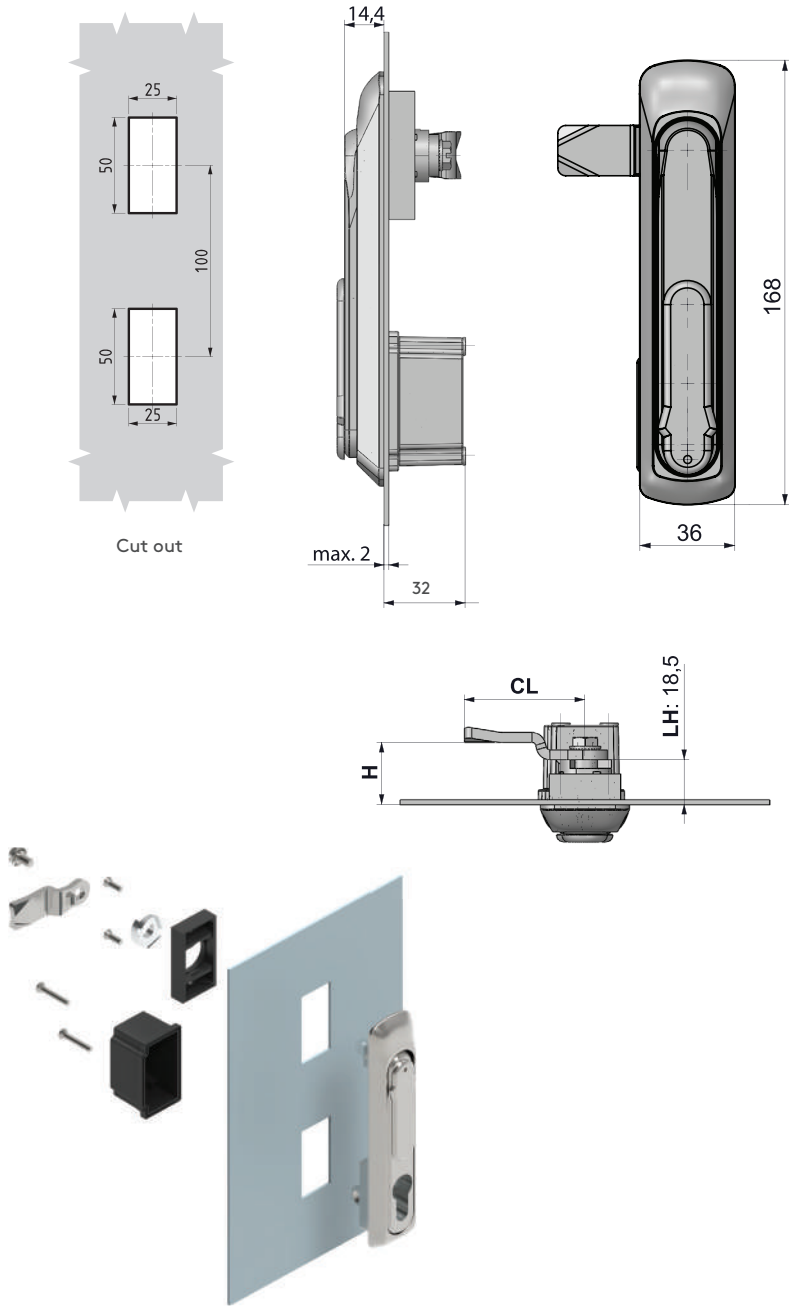
BRASS CYLINDER		DD
	No cylinder	00
	Keyed alike	11

Group Code	Cylinder	Cam	Padlock*
401	DD	CC	

*: add "1" for padlock application

For cams please check page: 174

For rods please check page: 178 or 460



501

SWINGHANDLE

- RoHS
-
-
- IP 65
-
-



APPLICATIONS

Electric panels, outdoor cabinets

MATERIAL

BODY: Stainless Steel (AISI 316)
 HANDLE: Stainless Steel (AISI 316)
 CAM: Stainless Steel
 GASKET: Polyurethane

BRASS CYLINDER		DD
	No cylinder	00
	Keyed alike	11

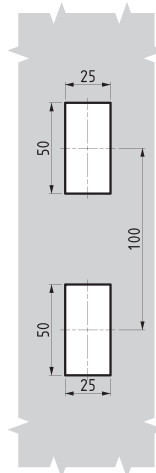
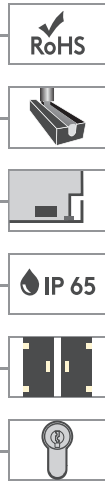
Group Code	Handle	Body	Cylinder	Cam
501	4	0	4	0
			DD	CC

For cams please check page: 174
 For rods please check page: 178 or 460

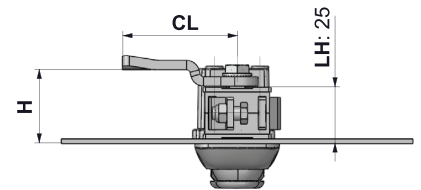
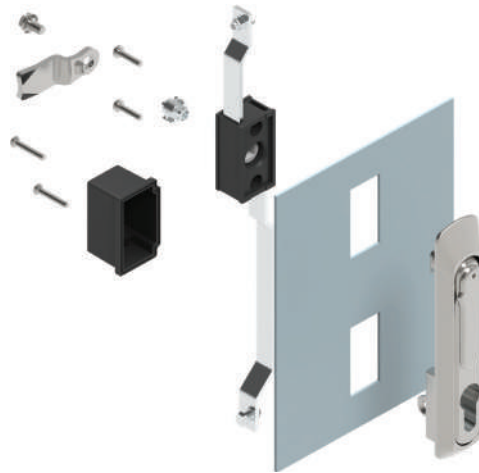
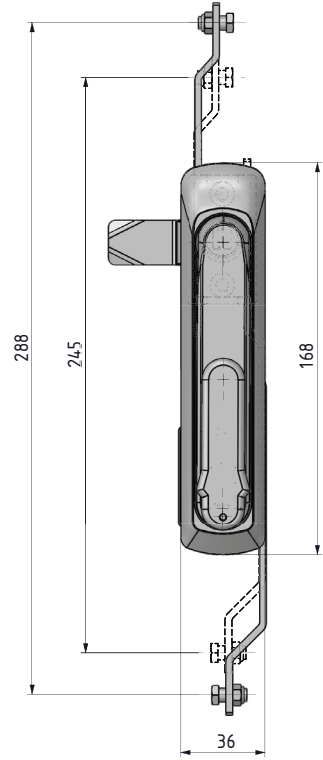
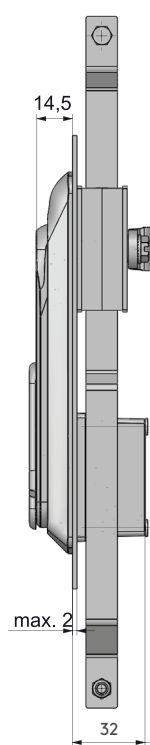
STAINLESS STEEL PRODUCTS

SWINGHANDLE GEAR BOX

502



Cut out




- Thin external profile (14.4 mm) for flush appearance
- High-security, brass, Euro Profile single cylinder available

APPLICATIONS

Electric panels, outdoor cabinets

MATERIAL

BODY: Stainless Steel (AISI 316)
 HANDLE: Stainless Steel (AISI 316)
 MECHANISM: PA6 GFR 30
 CAM: Stainless Steel
 GASKET: Polyurethane

		BRASS CYLINDER	DD
	No cylinder		00
	Keyed alike		11

Group Code	Handle	Body	Cylinder	Cam
502	4 0	4 0	DD	CC

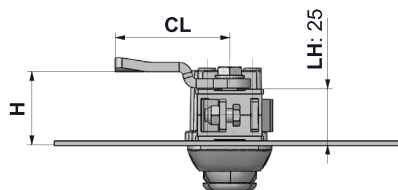
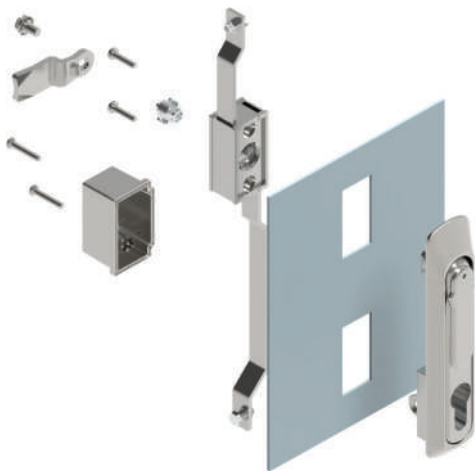
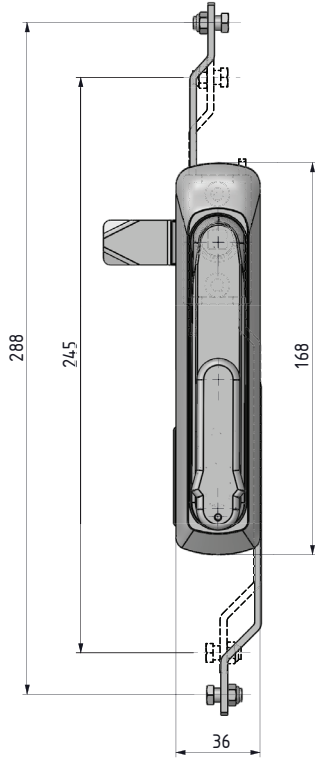
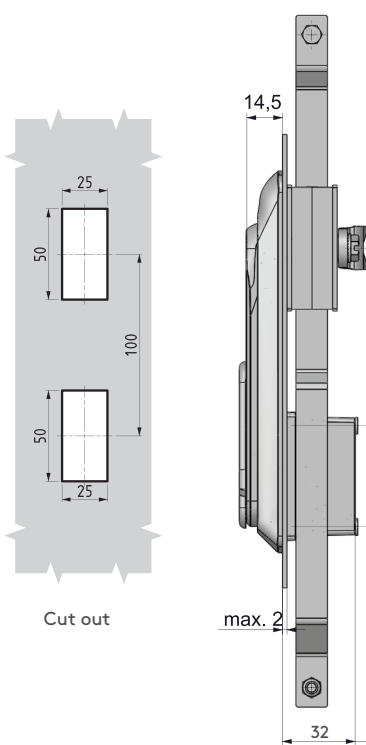
 For cams please check page: 174

 For rods please check page: 178 or 460

502

SWINGHANDLE GEAR BOX

STAINLESS STEEL



- Thin external profile (14.4 mm) for flush appearance
- High-security, brass, Euro Profile single cylinder available

APPLICATIONS

Electric panels, outdoor cabinets

MATERIAL

BODY: Stainless Steel (AISI 316)
 HANDLE: Stainless Steel (AISI 316)
 MECHANISM: Stainless Steel
 CAM: Stainless Steel
 GASKET: Polyurethane

BRASS CYLINDER		DD
	No cylinder	00
	Keyed alike	11

Group Code	Version	Handle	Body	Cylinder	Cam
502	2	4 0	4 0	DD	CC

For cams please check page: 174

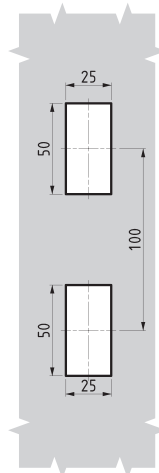
For rods please check page: 178 or 460

SWINGHANDLE GEAR BOX

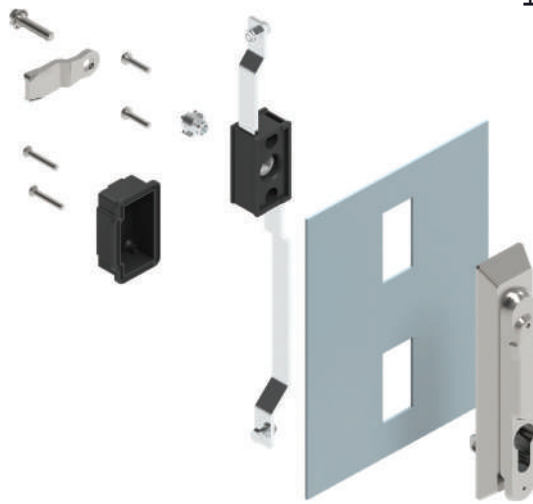
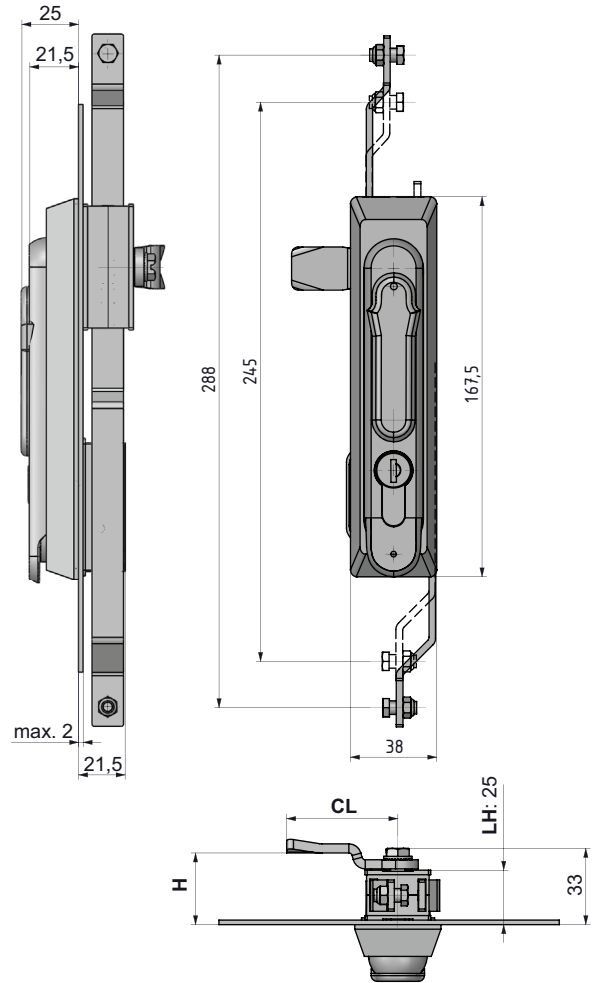
402



- RoHS
-
- IP 65
-
-



Cut out



APPLICATIONS

Electric panels, outdoor cabinets

MATERIAL

- BODY: Stainless Steel (AISI 316)
- HANDLE: Stainless Steel (AISI 316)
- MECHANISM: PA6 GFR 30
- CAM: Stainless Steel
- GASKET: Polyurethane

For cams please check page: 174

For rods please check page: 178 or 452

		BRASS CYLINDER	DD
	No cylinder		00
	Keyed alike		11

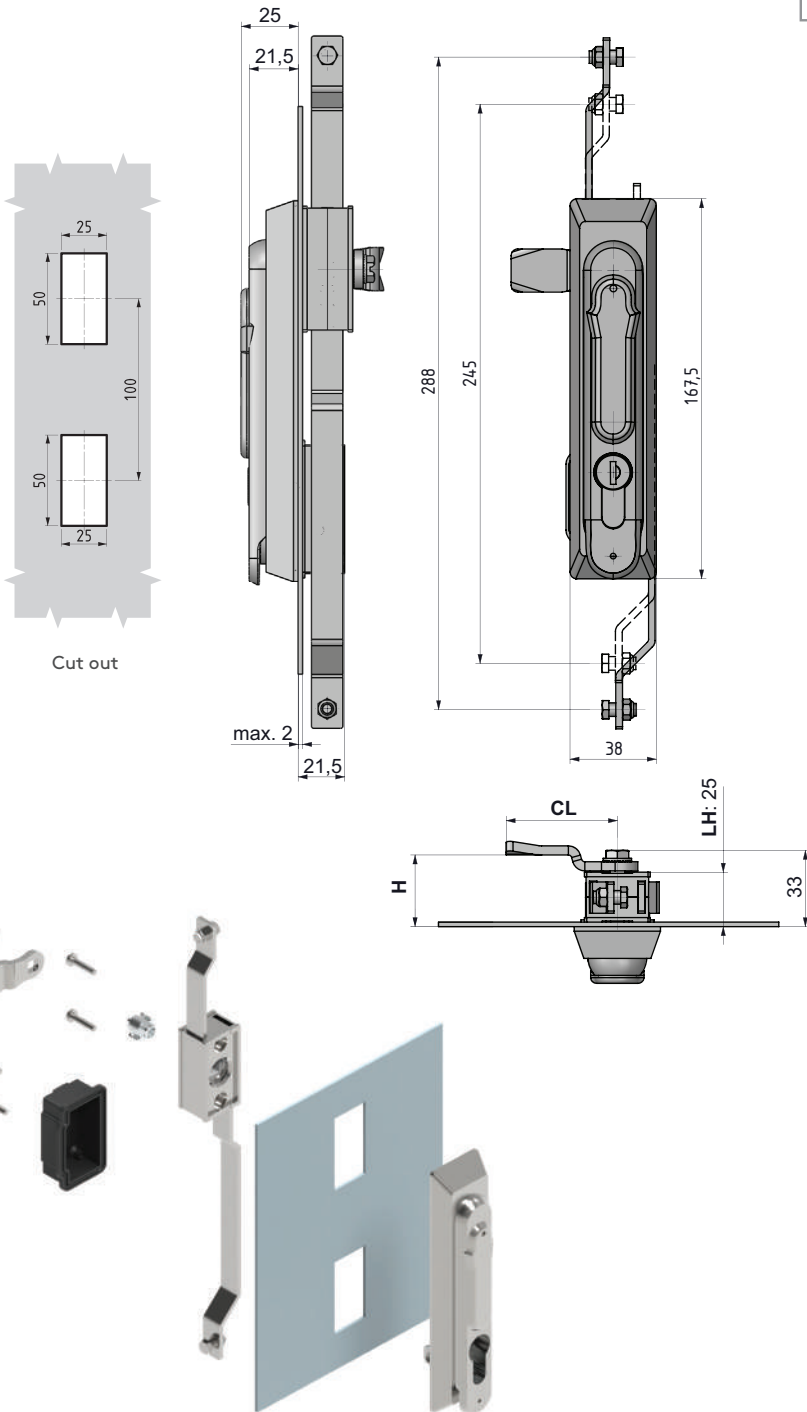
Group Code	Cylinder	Cam	Padlock*
402	DD	CC	

*: add "1" for padlock application

402

SWINGHANDLE GEAR BOX

STAINLESS STEEL



APPLICATIONS

Electric panels, outdoor cabinets

MATERIAL

- BODY: Stainless Steel (AISI 316)
- HANDLE: Stainless Steel (AISI 316)
- MECHANISM: Stainless Steel
- CAM: Stainless Steel
- GASKET: Polyurethane

BRASS CYLINDER		DD
	No cylinder	00
	Keyed alike	11

Group Code	Version	Cylinder	Cam	Padlock*
402	2	DD	CC	

*: add "1" for padlock application



For cams please check page: 174

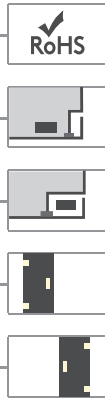


For rods please check page: 178 or 460

STAINLESS STEEL PRODUCTS

THREE POINT LOCK - T HANDLE

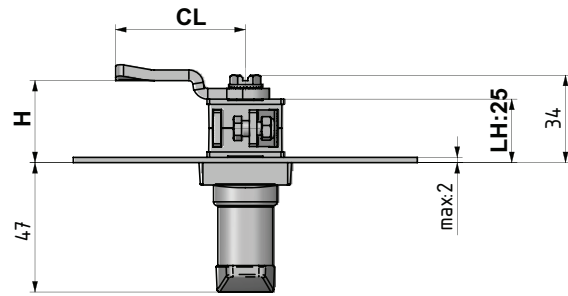
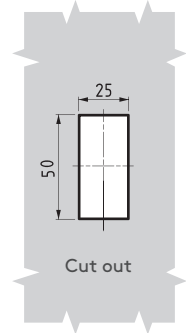
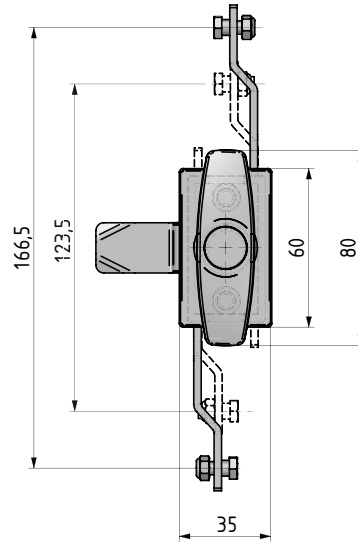
103



MATERIAL

BODY: Stainless Steel
 HANDLE: Stainless Steel
 MECHANISM: Zamak DIN-EN 1774-ZnAl4Cu1
 CAM: Stainless Steel
 GASKET: Polyurethane

V: 3



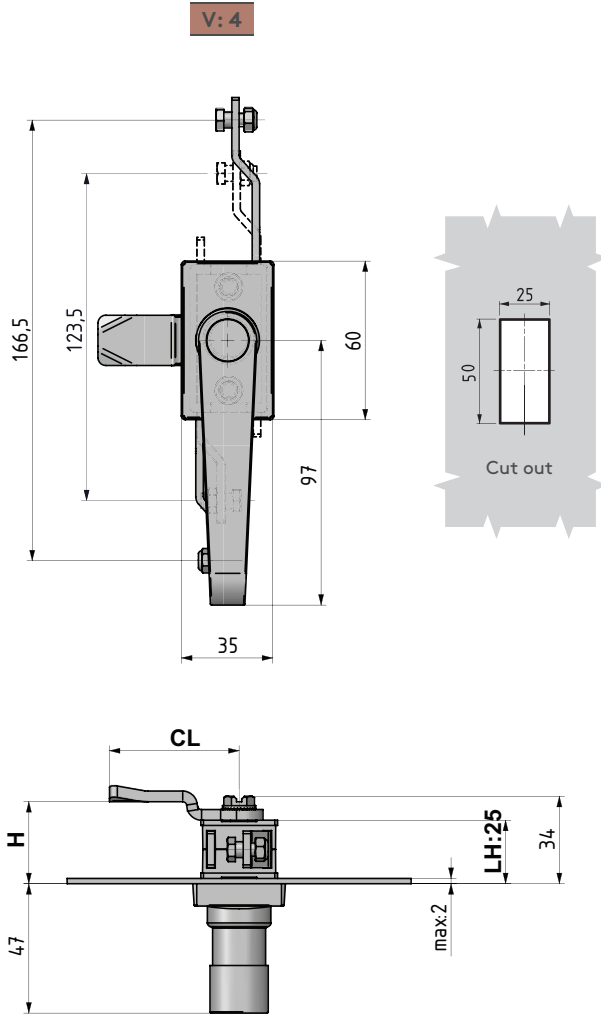
DOOR DIRECTION

Right hand	001	
Left hand	002	

Group Code	Version	Handle	Body	Cylinder	Cam	Door Direction
103	3	4 0	4 0	DD	CC	

For cams please check page: 174

For rods please check page: 178 or 452



DOOR DIRECTION	
Right hand	001 
Left hand	 002

103



THREE POINT LOCK-L HANDLE



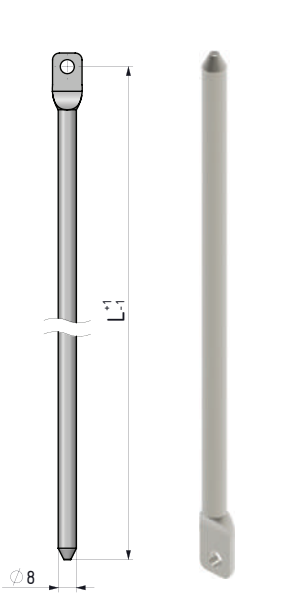
MATERIAL

BODY: Stainless Steel
 HANDLE: Stainless Steel
 MECHANISM: Zamak DIN-EN 1774-ZnAl4Cu1
 CAM: Stainless Steel
 GASKET: Polyurethane

Group Code	Version	Handle	Body	Cylinder	Cam	Door Direction
103	4	4 0	4 0	DD	CC	

 For cams please check page: 174
 For rods please check page: 178 or 452

STAINLESS STEEL PRODUCTS



V: 1

L MM	PRODUCT CODE
400	IC 4-0-1-400
500	IC 4-0-1-500
600	IC 4-0-1-600
700	IC 4-0-1-700
800	IC 4-0-1-800
900	IC 4-0-1-900
1000	IC 4-0-1-1000

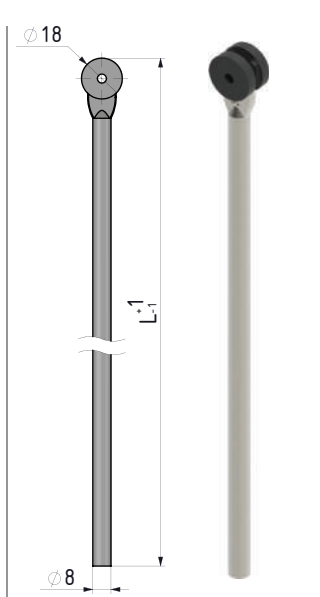
APPLICATION:

- With gear-box locks
- Locks with three-point cam



ACCESSORIES:

- Round-rod guide (CY)

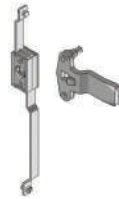


V: 2

L MM	PRODUCT CODE
400	IC 4-0-2-400
500	IC 4-0-2-500
600	IC 4-0-2-600
700	IC 4-0-2-700
800	IC 4-0-2-800
900	IC 4-0-2-900
1000	IC 4-0-2-1000

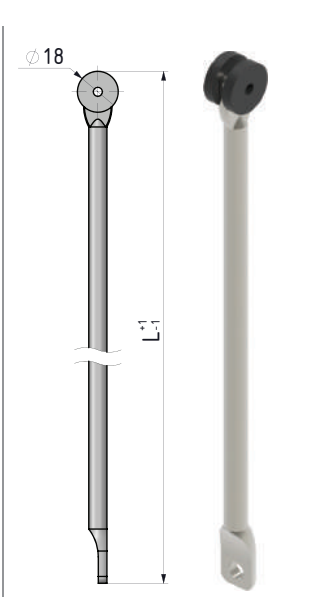
APPLICATION:

- With gear-box locks
- Locks with three-point cam



ACCESSORIES:

- Round-rod guide (CY)
- Rod adapter (CT)



V: 3

L MM	PRODUCT CODE
400	IC 4-0-3-400
500	IC 4-0-3-500
600	IC 4-0-3-600
700	IC 4-0-3-700
800	IC 4-0-3-800
900	IC 4-0-3-900
1000	IC 4-0-3-1000

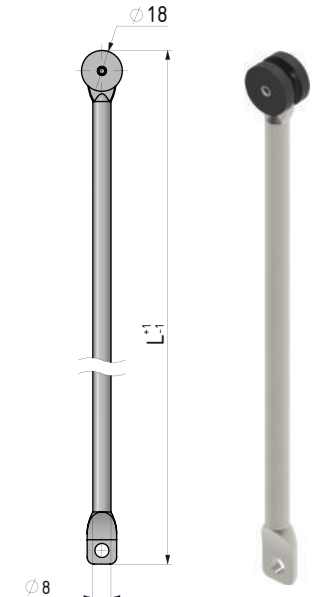
APPLICATION:

- Locks with three-point cam



ACCESSORIES:

- Round-rod guide (CY)



V: 4

L MM	PRODUCT CODE
400	IC 4-0-4-400
500	IC 4-0-4-500
600	IC 4-0-4-600
700	IC 4-0-4-700
800	IC 4-0-4-800
900	IC 4-0-4-900
1000	IC 4-0-4-1000

APPLICATION:

- With gear-box locks



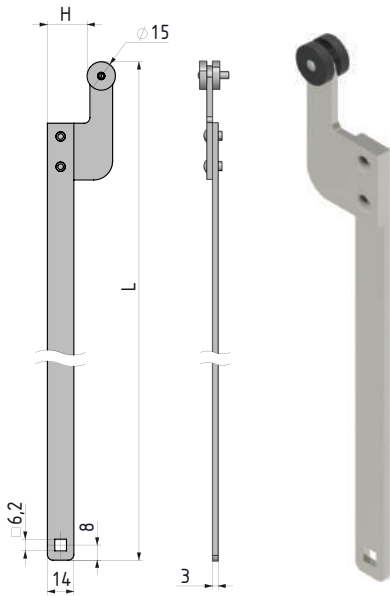
ACCESSORIES:

- Round-rod guide (CY)

For other materials please check: pages 152 and 153

Group Code	Material	Finish	Version	Length
IC	4	0	V	L

For different 'L' Lengths, please contact us



V:1

H MM	L MM	PRODUCT CODE
27	1020	IL 4-0-1-27-1020
13	1020	IL 4-0-1-13-1020

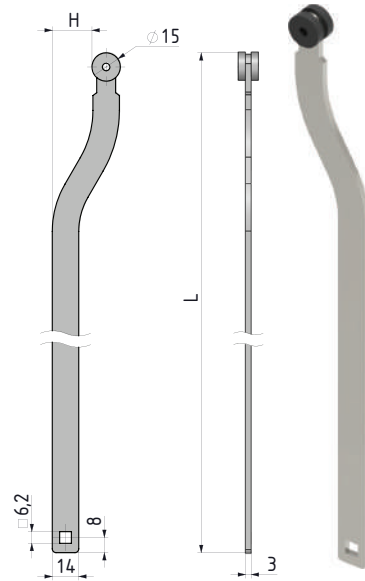
APPLICATION:

- With gear-box locks



ACCESSORIES:

- Flat-rod guide (LY)



V:2

H MM	L MM	PRODUCT CODE
21	1020	IL 4-0-2-21-1020
16	1020	IL 4-0-2-16-1020

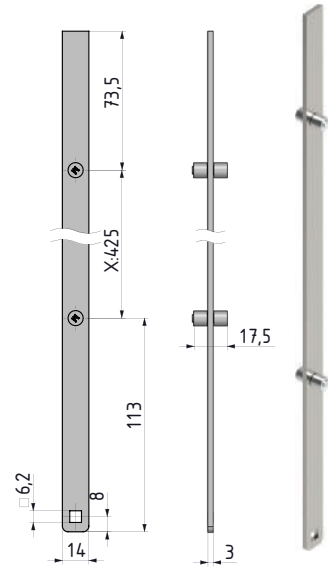
APPLICATION:

- With gear-box locks



ACCESSORIES:

- Flat-rod guide (LY)



V:1

X MM	PRODUCT CODE
575	ILP 4-0-1-575

APPLICATION:

- With gear-box locks



ACCESSORIES:

- Flat-rod guide (LY)
- Dual roller catcher (LKY)

For other materials please check: page 161

Group Code	Material	Finish	Version	Offset	Length
IL	4	0	V	H	L

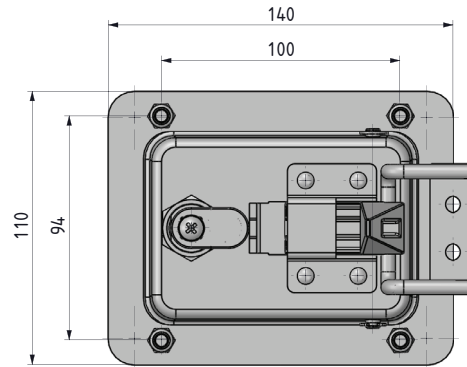
Group Code	Material	Finish	Version	Length Between Pins
ILP	4	0	1	X

For different 'L' Lengths, please contact us

STAINLESS STEEL PRODUCTS

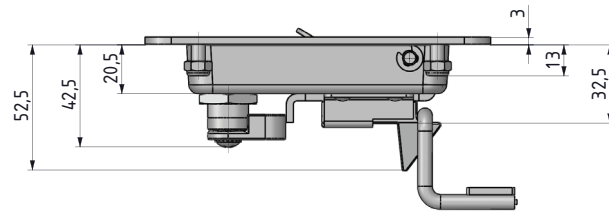
PUSH-TO-CLOSE LOCK

016



- Slam-shut operation; brass cam
- Can be opened from inside by moving cam

MATERIAL
Stainless Steel (AISI 304)



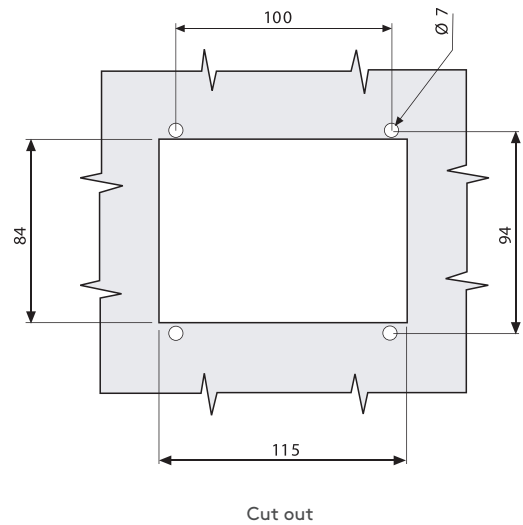
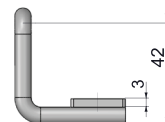
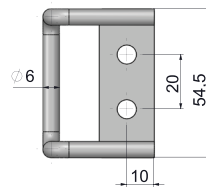
CAM STRIKING PLATE

016 A740



- Striking plate. Custom sizes available

MATERIAL
Stainless Steel (AISI 304)



SPECIFICATIONS

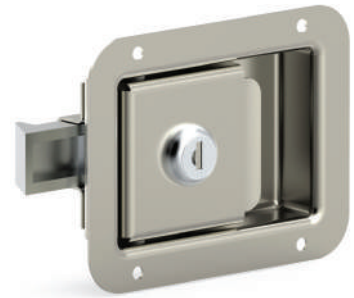
	DD
Stainless steel dust cap Keyed alike	03
Stainless steel dust cap Keyed differ	32

Group Code	Material	Finish	Cylinder	Version
016	4	0	DD	1

For other materials please check:
page 90

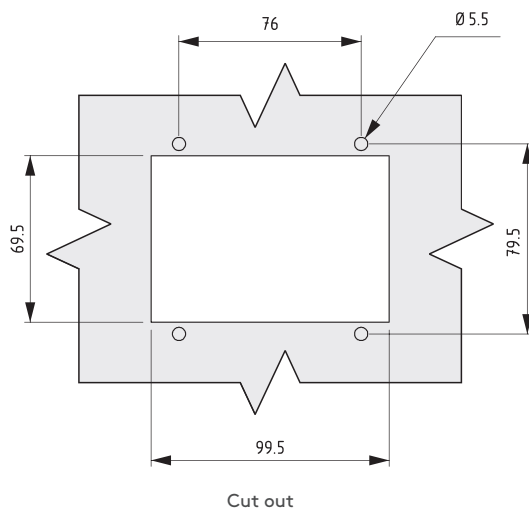
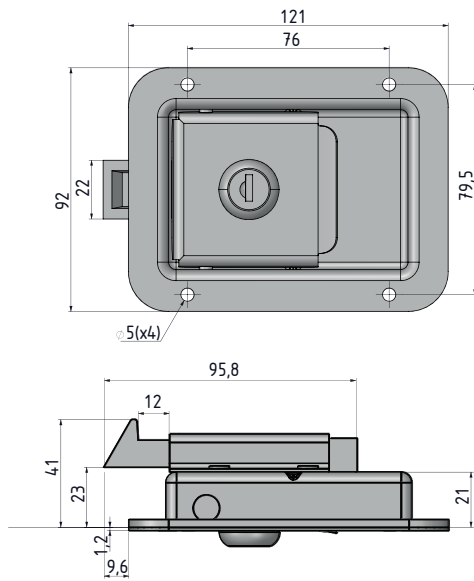
416

PUSH-TO-CLOSE LOCK



- Slam-shut operation
- Can be opened from inside by moving cam

MATERIAL
Stainless Steel (AISI 304)



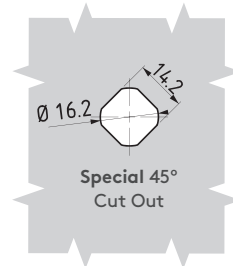
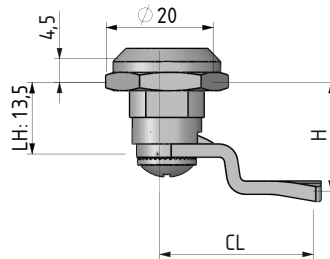
SPECIFICATIONS		DD
Stainless steel dust cap Keyed alike		03
Stainless steel dust cap Keyed differ		32

Group Code	Material	Finish	Cylinder
416	4	0	DD

STAINLESS STEEL PRODUCTS

MINI QUARTER TURN – SPRING LOADED

266



- Specially designed internal spring provides 1.5 mm of compression
- IP 66 (Nema 4), optional

MATERIAL
Stainless Steel (AISI 3....)

Note: For different drivers please contact Essentra Components

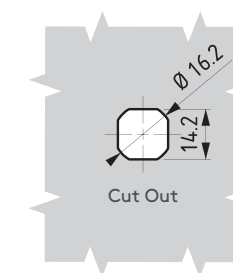
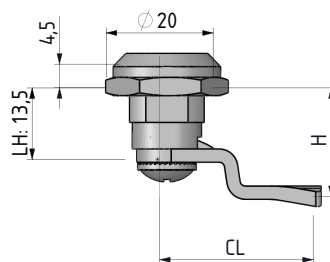
For other materials please check: page 233

6 mm Square		7 mm Triangular		Slot	
DD		DD		DD	
26		37		42	

Group Code	Material	Finish	Driver No	Cam
266	4	0	DD	CC

MINI QUARTER TURN – SPRING LOADED

066



- Specially designed internal spring provides 1 mm of compression
- Sealing washer not supplied
- There is no IP 65 version of this lock

MATERIAL
Stainless Steel (AISI 3....)



Application key code: 267

MATERIAL
Zamak DIN-EN 1774-ZnAl4Cu1

FINISH
Chrome plated

For other materials please check: page 232

6 mm Square		7 mm Triangular		Slot	
DD		DD		DD	
26		37		42	

Group Code	Material	Finish	Driver No	Cam
066	4	0	DD	CC

064

QUARTER TURN –
SPRING LOADED

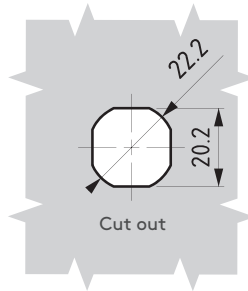
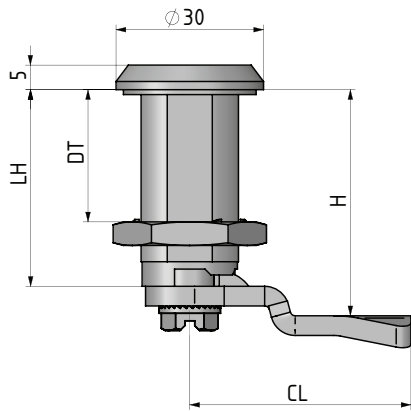


- Specially designed internal spring provides 1.5 mm of compression
- IP 66 (Nema 4), optional

MATERIAL

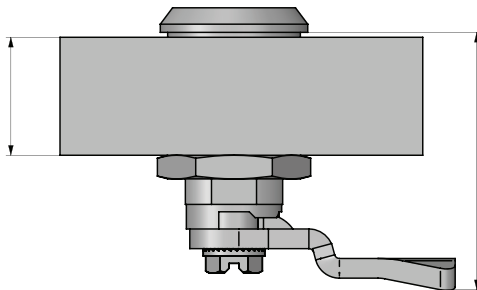
Stainless Steel (AISI 3....)

Note: For different drivers please contact Essentra Components



DT	LH
30	40
40	50
50	60

DT
DOOR THICKNESS



LH
HOUSING LENGTH

3 mm Double bit	5 mm Double bit	8 mm Square	7 mm Triangular	8 mm Triangular	Railway
DD	DD	DD	DD	DD	DD
13	15	28	37	38	88

For other materials please check: page 223

Group Code	Material	Finish	Driver No	Door Thickness	Cam
064	4	0	DD	DT	CC



For cams please check page: 174

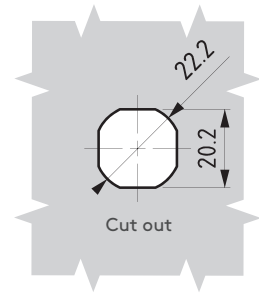
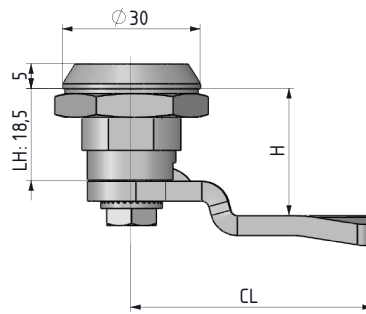
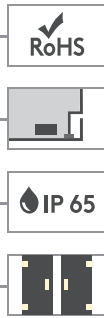


For keys please check pages: 189 - 191

STAINLESS STEEL PRODUCTS

QUARTER TURN – SPRING LOADED

060



- Specially designed internal spring provides 1.5 mm of compression
- IP 66 (Nema 4), optional

MATERIAL
Stainless Steel (AISI 3....)

Note: For different drivers please contact Essentra Components

For cams please check page: 174

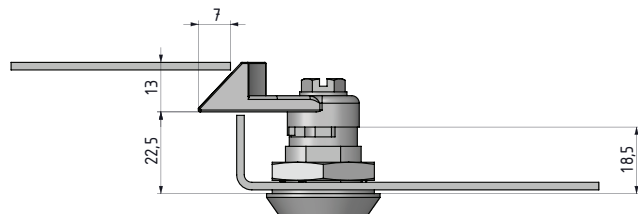
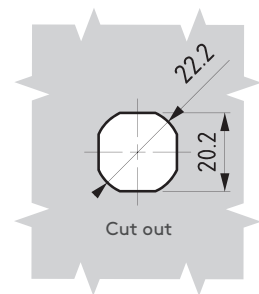
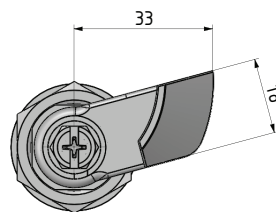
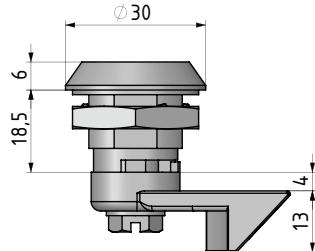
For keys please check pages: 189 - 191

3 mm Double bit	5 mm Double bit	8 mm Square	7 mm Triangular	8 mm Triangular	Railway
DD	DD	DD	DD	DD	DD
13	15	28	37	38	88

Group Code	Material	Finish	Driver No	Cam
060	4	0	DD	CC

QUARTER TURN – SPRING CAM

160



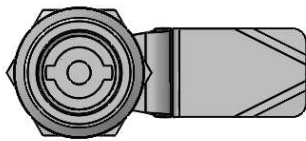
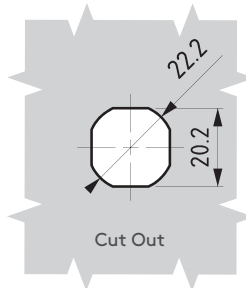
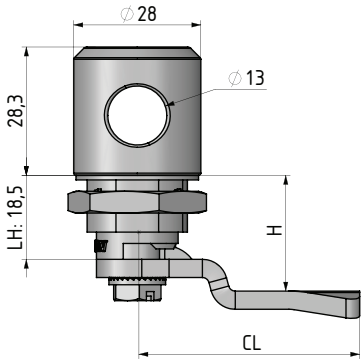
- Spring-loaded cam provides depress-to-lock action
- Distance between inside of lock face and front of cam fixed at 22.5 mm
- There is no IP 65 version of this lock, due to spring loaded cam

MATERIAL
Stainless Steel (AISI 3....)

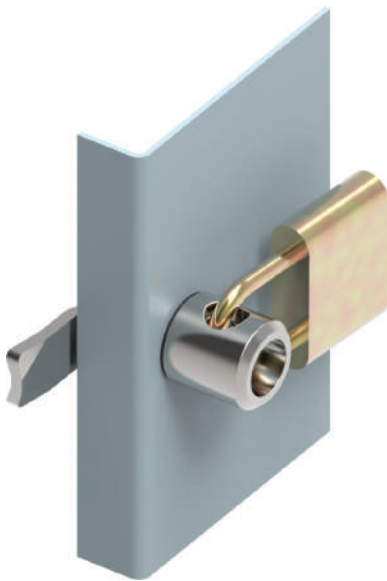
For other materials please check: page 216

Group Code	Material	Finish	Driver No	Door Direction
160	4	0	DD	

DOOR DIRECTION	
Right hand	001
Left hand	002



Application 1



Application 2



260

QUARTER TURN –
PADLOCKABLE



- Padlockable version
- Can be used with different drivers

MATERIAL
Stainless Steel (AISI 3.....)

For other materials please check:
page 217

MATERIAL	M	FINISH	F
Zamak	1	Chrome plated	1
		Black coated	2

Group Code	Housing	Driver	Driver No	Cam
260	4 0	4 0	DD	CC

For cams please check pages: 170 - 171

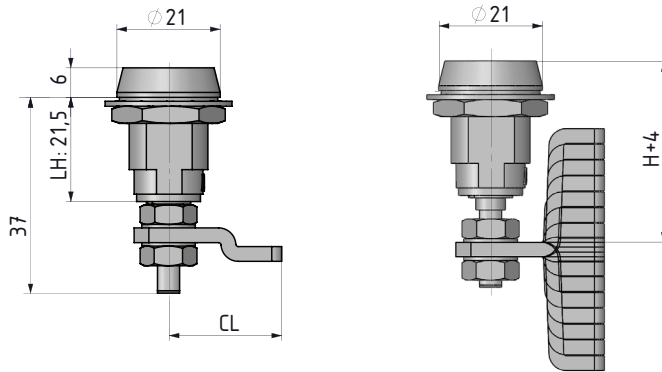
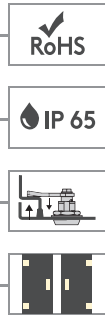
For drivers please check page: 458

For keys please check pages: 189 - 191

STAINLESS STEEL PRODUCTS

MINI COMPRESSION LOCK

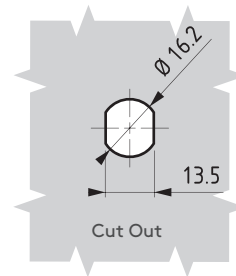
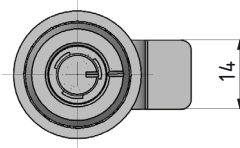
140



- Used for cabinets that require better sealing under vibrating conditions
- 4 mm compression ratio
- Provides noise isolation
- Driver and cam alternatives available

MATERIAL

HOUSING: Stainless Steel (AISI 316)
 DRIVER: Stainless Steel (AISI 316)
 CAM: Stainless Steel (AISI 304)
 NUT: Stainless Steel (AISI 30)



For other materials please check: 228

CAM	STOCK CODE	CC	CH	CL	H GRIP MIN	H GRIP MAX
1	30405735Y	01	0	23	26.2	29.4
2	30405740Y	02	1	23	25.2	28.4
3	30405608Y	03	3.8	23	22.4	25.6
4	30405609Y	04	7	23	19.2	22.4
5	30405610Y	05	10.2	23	16	19.2
6	30405611Y	06	13.4	23	12.8	16
7	30405749Y	07	16.6	23	9.6	12.8
8	30405613Y	08	19.8	23	6.4	9.6
9	30405748Y	09	23	23	3.2	6.4

DRIVERS	
Tubular key	
DD	
93	
4 mm Hexagon	
DD	
64	
Slot	
DD	
45	

DUST CAP

140 A1

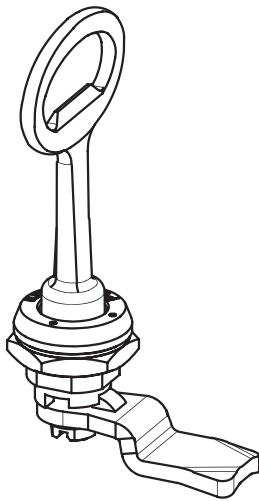
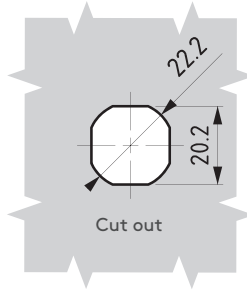
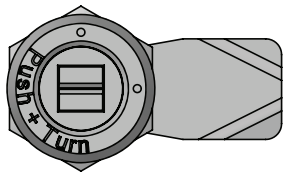
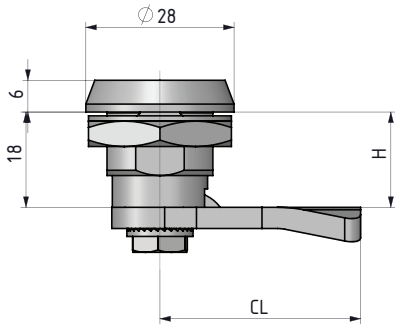


(Order separately)

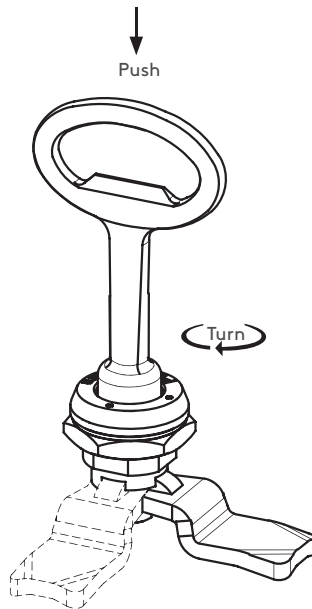
MATERIAL : Polyurethane

Group Code	Material	Finish	Driver No	Cam
140	4	0	DD	CC

For keys please check pages: 189 - 191



Locked position



Unlock position

1060

QUARTER TURN –
SPRING LOADED

RoHS

IP 65



- Vibration proof quarter turn
- Opening the lock only possible by pushing and rotating the driver by the key

MATERIAL

HOUSING: Stainless Steel (AISI 316)
DRIVER: Stainless Steel (AISI 316)
CAM: Stainless Steel (AISI 304)
NUT: Stainless Steel (AISI 304)

Note: For different drivers please contact Essentra Components

3 mm Double bit		5 mm Double bit		8 mm Square		7 mm Triangular		8 mm Triangular		Railway	
DD		DD		DD		DD		DD		DD	
13		15		28		37		38		88	

Group Code	Material	Finish	Driver No	Cam	Door Direction
1060	4	0	DD	CC	

DOOR DIRECTION	
Right hand	001
Left hand	002

For cams please check page: 174

For keys please check pages: 189 - 191

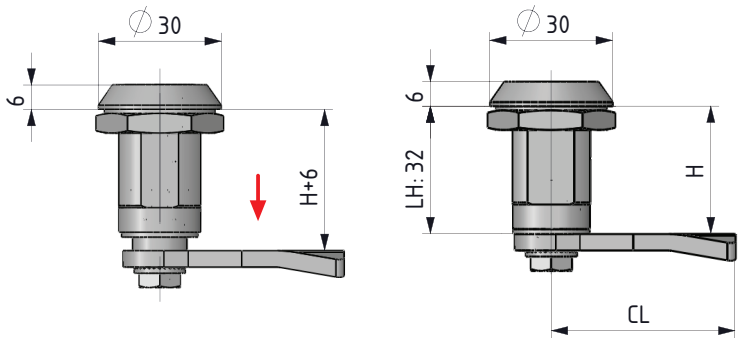
STAINLESS STEEL PRODUCTS

COMPRESSION LOCK

040



- RoHS
- IP 65
-
-
-

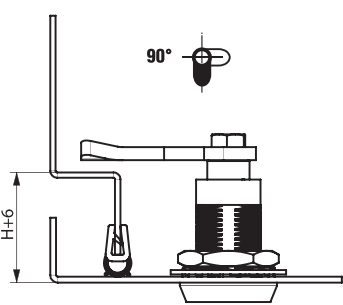
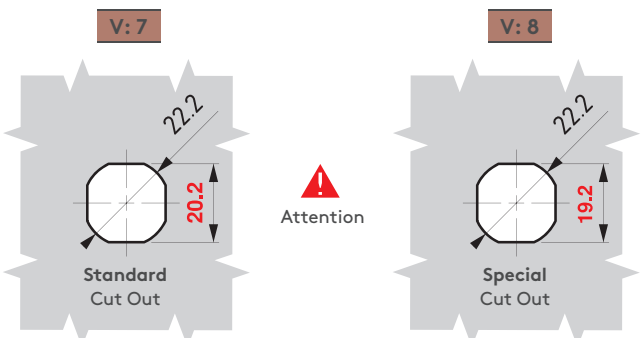


- Used for cabinets that require better sealing under vibrating conditions
- Provides 6 mm of compression
- Provides noise isolation
- Different drivers/cams available
- Standard cams without stopper required for these locks
- The lock has been tested according to the DIN EN 61373 Category 1-B for vibration and shock.
- Working Temperature Range: -50/+80 C
- M22 Nut : should be fixed with 60 Nm
- M10 Nut: should be fixed with 10 Nm
- Threadlocker is applied to the nut threads to get extra fastness against vibration and shock
- Max load capacity: 562 N

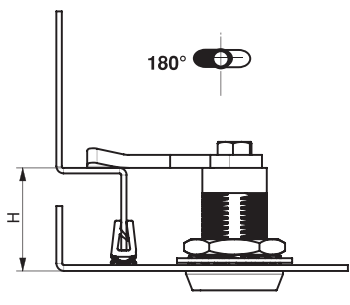
MATERIAL
 HOUSING: Stainless Steel (AISI 316)
 DRIVER: Stainless Steel (AISI 316)
 CAM: Stainless Steel (AISI 304)
 NUT: Stainless Steel (AISI 304)

Note: For different drivers please contact Essentra Components

For other materials please check: page 226



The first 90° of key rotation turns the cam to locking position



Further key rotation 180° applies 6mm compression

DRIVERS

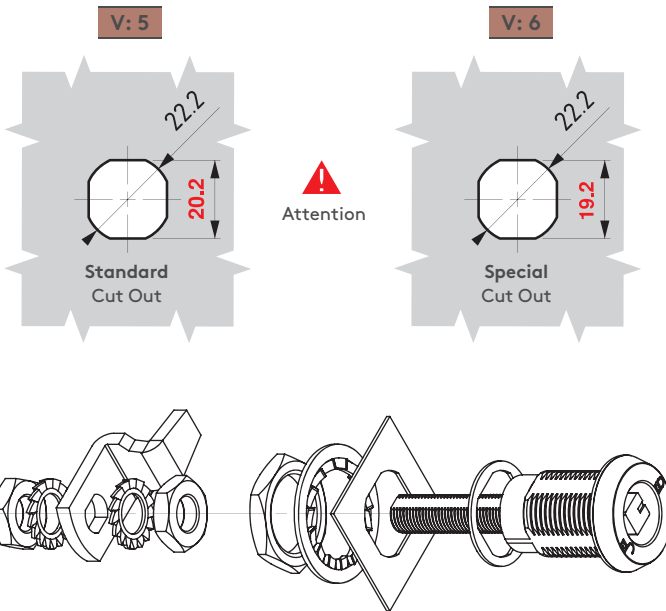
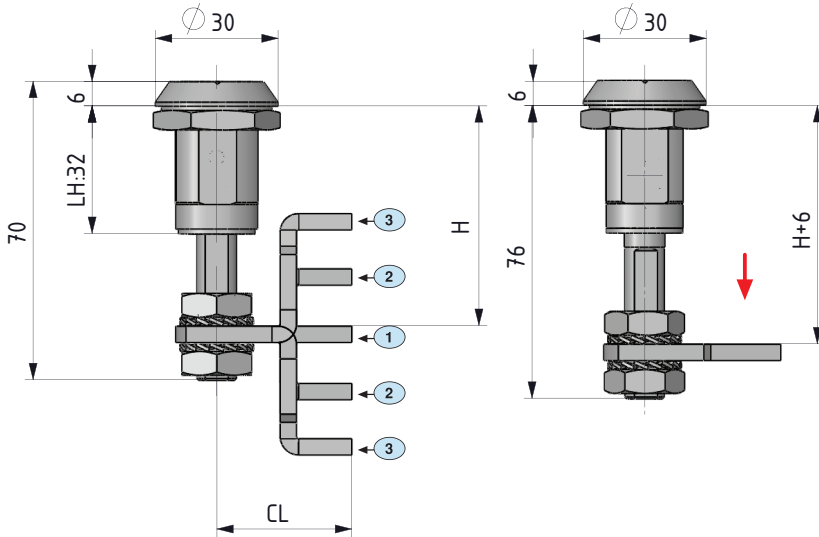
KNOB	5 mm Double bit	Railway	8 mm Square	2X4 mm Slot
	DD 15	DD 88	DD 28	DD 42
	DD 94	DD 13	DD 37	DD 38
	3 mm Double bit	7 mm Triangular	8 mm Triangular	
	DD 13	DD 37	DD 38	

DOOR DIRECTION	
Right hand	001
Left hand	002

Group Code	Version	Material	Finish	Driver No	Cam	Door Direction
040	V	4	0	DD	CC	

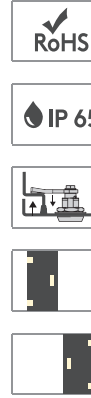
For cams please check page: 174

For keys please check pages: 189 - 191



040

COMPRESSION LOCK



- Used for cabinets that require better sealing under vibrating conditions
- 6 mm of compression
- Wide grip range with adjustable screw
- Noise isolation
- Different drivers/cams available
- Three different cam alternatives available
- The lock has been tested according to the DIN EN 61373 Category 1-B for vibration and shock.
- Working Temperature Range: -50/+80 C
- M22 Nut : should be fixed with 60 Nm
- M10 Nut: should be fixed with 10 Nm
- Threadlocker is applied to the nut threads to get extra fastness against vibration and shock
- Max load capacity: 562 N

MATERIAL

HOUSING: Stainless Steel (AISI 316)
 DRIVER: Stainless Steel (AISI 316)
 CAM: Stainless Steel (AISI 304)
 NUT: Stainless Steel (AISI 304)

CAM	STOCK CODE	CC	CH	CL	POSITION	H GRİP	
						MIN	MAX
1	30405565Y	01	0	33	Düz	41	58
2	30405566Y	02	14	33	Yukarı	27	44
					Aşağı	55	72
3	30405567Y	03	27,5	33	Yukarı	13,5	30,5
					Aşağı	68	85

DOOR DIRECTION	
Right hand	001
Left hand	002

Note: For different drivers please contact Essentra Components

For other materials please check: page 227

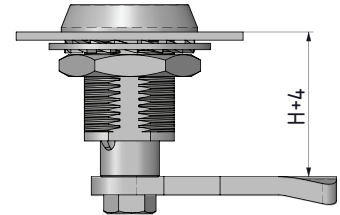
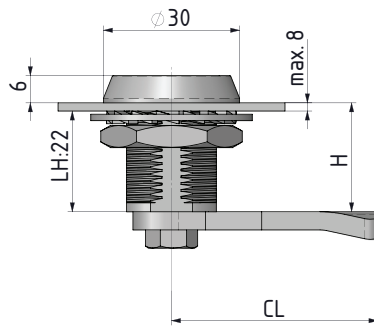
Group Code	Version	Material	Finish	Driver No	Cam	Door Direction
040	V	4	0	DD	CC	

STAINLESS STEEL PRODUCTS

COMPRESSION LOCK

540

SHORT HOUSING



- Used for cabinets that require better sealing under vibrating conditions
- Provides 4 mm of compression
- Provides noise isolation
- Different drivers/cams available
- Standard cams without stopper required for these locks
- The lock has been tested according to the DIN EN 61373 Category 1-B for vibration and shock.
- Working Temperature Range: -50/+80 C
- M22 Nut : should be fixed with 60 Nm
- M10 Nut: should be fixed with 10 Nm
- Threadlocker is applied to the nut threads to get extra fastness against vibration and shock
- Max load capacity: 562 N

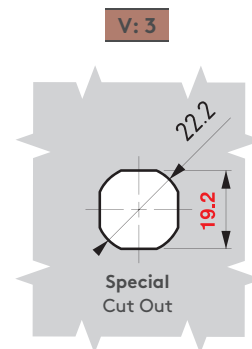
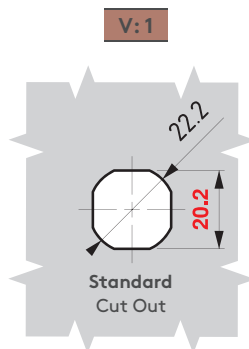
MATERIAL

HOUSING: Stainless Steel (AISI 316)

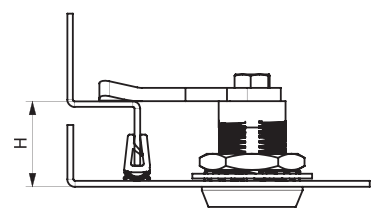
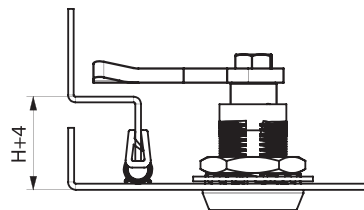
DRIVER: Stainless Steel (AISI 316)

CAM: Stainless Steel (AISI 304)

NUT: Stainless Steel (AISI 304)



Attention



The first 90° of key rotation turns the cam to locking position

Further key rotation 180° applies 4 mm compression

DRIVERS

3 mm Double bit	5 mm Double bit	Railway	8 mm Square	2X4 mm Slot
DD 13	DD 15	DD 88	DD 28	DD 42

7 mm Triangular	8 mm Triangular
DD 37	DD 38

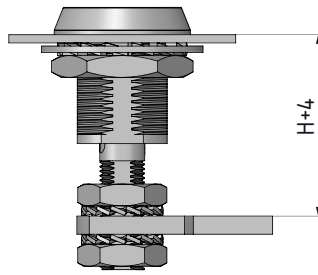
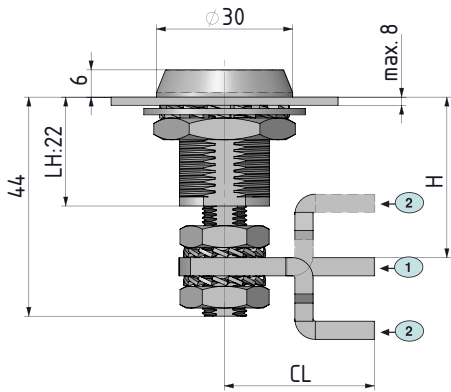
DOOR DIRECTION	
Right hand	001
Left hand	002

Note: For different drivers please contact Essentra Components

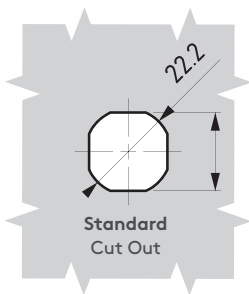
Group Code	Version	Material	Finish	Driver No	Cam	Door Direction
540	V	4	0	DD	CC	

For cams please check pages: 174

For keys please check pages: 189 - 191



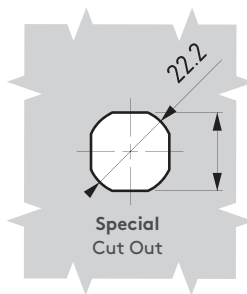
V: 2



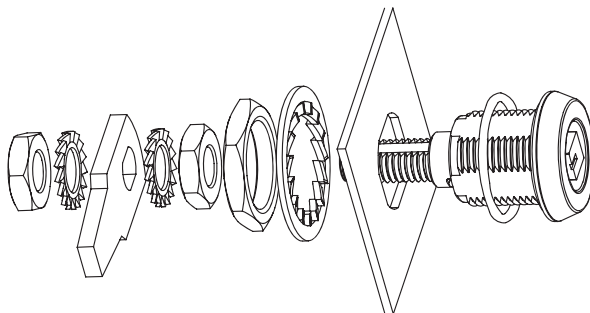
Standard
Cut Out



V: 4



Special
Cut Out



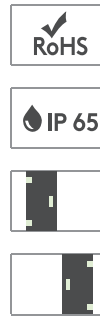
CAM	CC	CH	CL	H GRIP MIN	H GRIP MAX
1	01	0	33	28	38
2	02	14	33	14	52

DOOR DIRECTION	
Right hand	001
Left hand	002

540

COMPRESSION LOCK

SHORT HOUSING



- Used for cabinets that require better sealing under vibrating conditions
- 4 mm of compression
- Wide grip range with adjustable screw
- Noise isolation
- Different drivers/cams available
- Three different cam alternatives available
- The lock has been tested according to the DIN EN 61373 Category 1-B for vibration and shock.
- Working Temperature Range: -50/+80 C
- M22 Nut: should be fixed with 60 Nm
- M10 Nut: should be fixed with 10 Nm
- Threadlocker is applied to the nut threads to get extra fastness against vibration and shock
- Max load capacity: 562 N

MATERIAL

HOUSING: Stainless Steel (AISI 316)
 DRIVER: Stainless Steel (AISI 316)
 CAM: Stainless Steel (AISI 304)
 NUT: Stainless Steel (AISI 304)

⚠ Note: For different drivers please contact Essentra Components

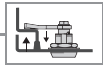
Group Code	Version	Material	Finish	Driver No	Cam	Door Direction
540	V	4	0	DD	CC	

For keys please check pages: 189 - 191

STAINLESS STEEL PRODUCTS

HYGIENIC COMPRESSION LOCK

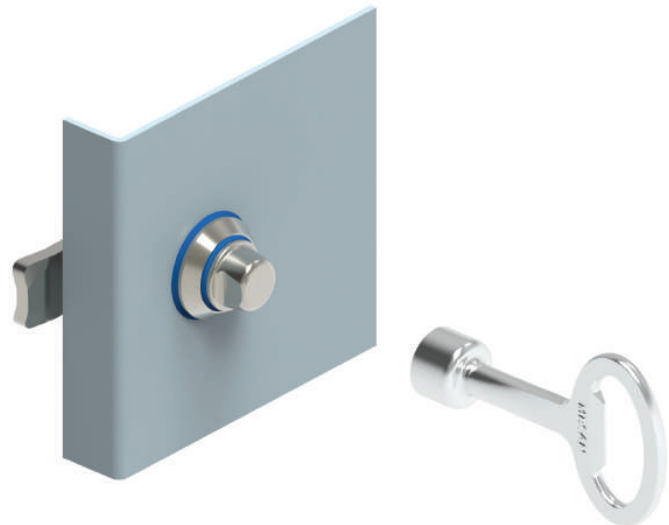
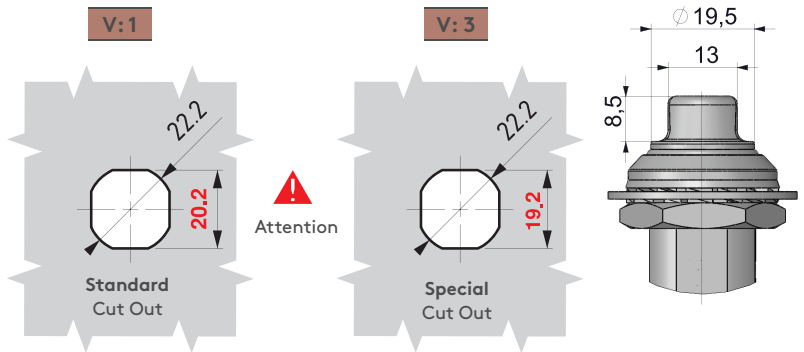
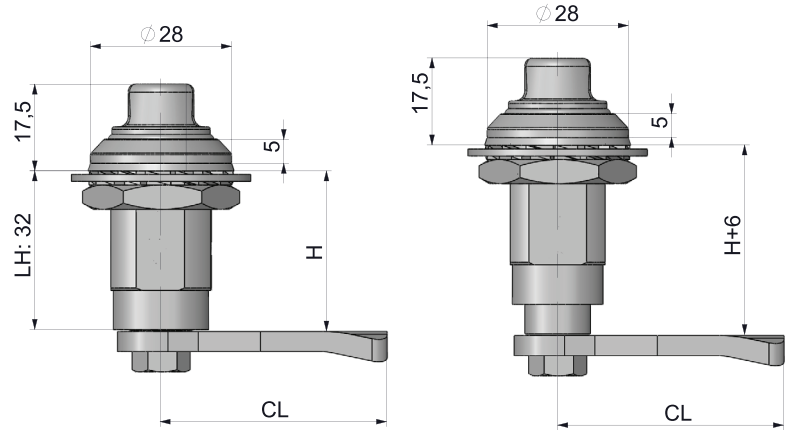
440



- Dirt resistant and easy to clean
- Specially designed for hygiene requirements
- Used for cabinets that require better sealing under vibrating conditions
- 6 mm of compression
- Noise isolation
- Different drivers/cams available
- The lock has been tested according to the DIN EN 61373 Category 1-B for vibration and shock.
- The lock has been tested according to the GS-NV 6:2015/12 for hygiene requirements
- Working Temperature Range: -50/+80 C
- M22 Nut : should be fixed with 60 Nm
- M10 Nut: should be fixed with 10 Nm
- Threadlocker is applied to the nut threads to get extra fastness against vibration and shock
- Max load capacity: 562 N

MATERIAL

HOUSING: Stainless Steel (AISI 316)
 DRIVER: Stainless Steel (AISI 316)
 CAM: Stainless Steel (AISI 304)
 NUT: Stainless Steel (AISI 304)
 ORING: Silicone



METAL KEY

368-94



DRIVERS

Special		8 mm Square	
DD		DD	
99		28	

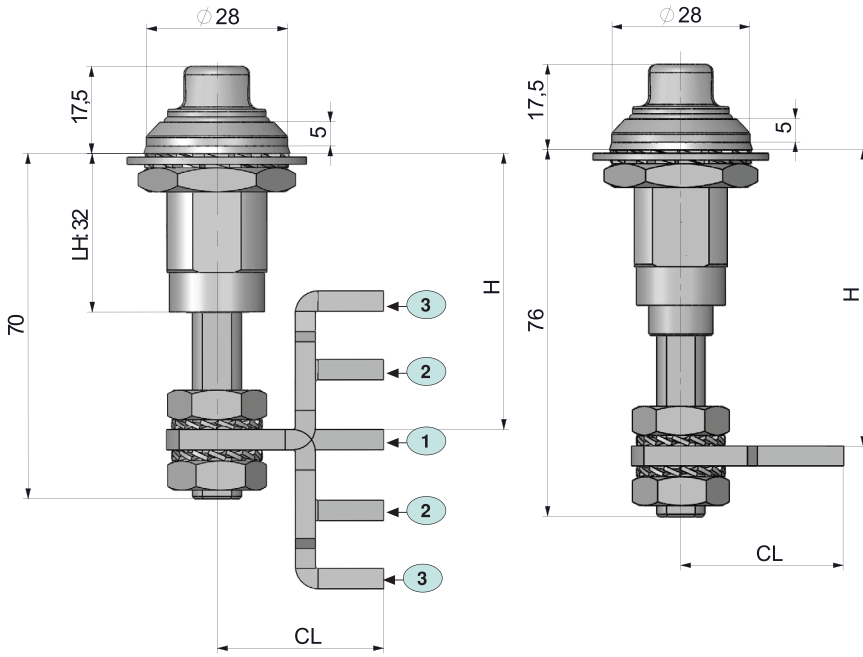
DOOR DIRECTION

Right hand	001
Left hand	002

MATERIAL & FINISH

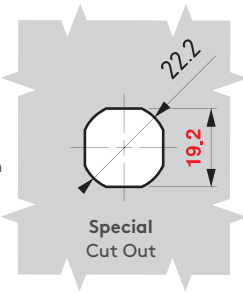
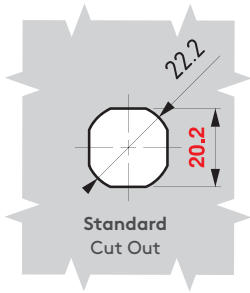
Zamak DIN-EN 1774-ZnAl4Cu1
 Chrome plated

Group Code	Version	Material	Finish	Driver No	Cam	Door Direction
440	V	4	0	DD	CC	



V: 2

V: 4



440

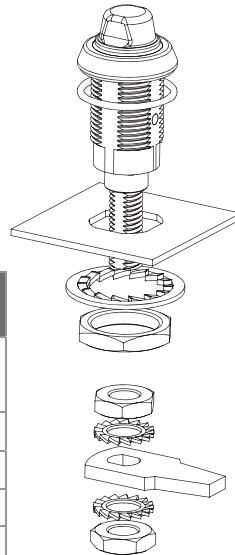
HYGIENIC COMPRESSION LOCK



- Dirt resistant and easy to clean
- Specially designed for hygiene requirements
- Used for cabinets that require better sealing under vibrating conditions
- 6 mm of compression
- Wide grip range with adjustable screw
- Noise isolation
- Different drivers/cams available
- Three different cam alternatives available
- The lock has been tested according to the DIN EN 61373 Category 1-B for vibration and shock.
- The lock has been tested according to the GS-NV 6:2015/12 for hygiene requirements
- Working Temperature Range: -50/+80 C
- M22 Nut : should be fixed with 60 Nm
- M10 Nut: should be fixed with 10 Nm
- Threadlocker is applied to the nut threads to get extra fastness against vibration and shock
- Max load capacity: 562 N

MATERIAL

HOUSING: Stainless Steel (AISI 316)
 DRIVER: Stainless Steel (AISI 316)
 CAM: Stainless Steel (AISI 304)
 NUT: Stainless Steel (AISI 304)
 ORING: Silicone



DRIVERS

Special		8 mm Square	
DD		DD	
99		28	

DOOR DIRECTION	
Right hand	001
Left hand	002

CAM	STOCK CODE	CC	CH	CL	POSITION	H GRIP MIN	H GRIP MAX
1		01	0	33	Düz	41	58
2		02	14	33	Yukarı	27	44
					Aşağı	55	72
3		03	27,5	33	Yukarı	13,5	30,5
					Aşağı	68	85

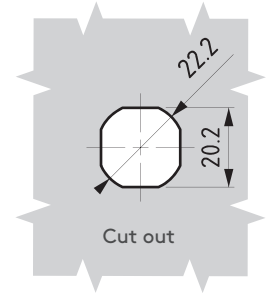
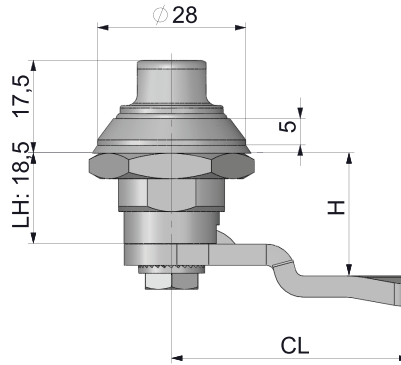
Group Code	Version	Material	Finish	Driver No	Cam	Door Direction
440	V	4	0	DD	CC	

For cams please check pages: 174

STAINLESS STEEL PRODUCTS

HYGIENIC LOCK

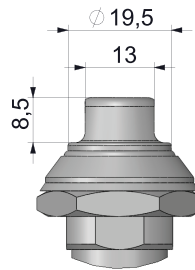
460



- Dirt resistant and easy to clean
- The lock has been tested according to the GS-NV 6:2015/12 for hygiene requirements
- Specially designed for hygiene requirements

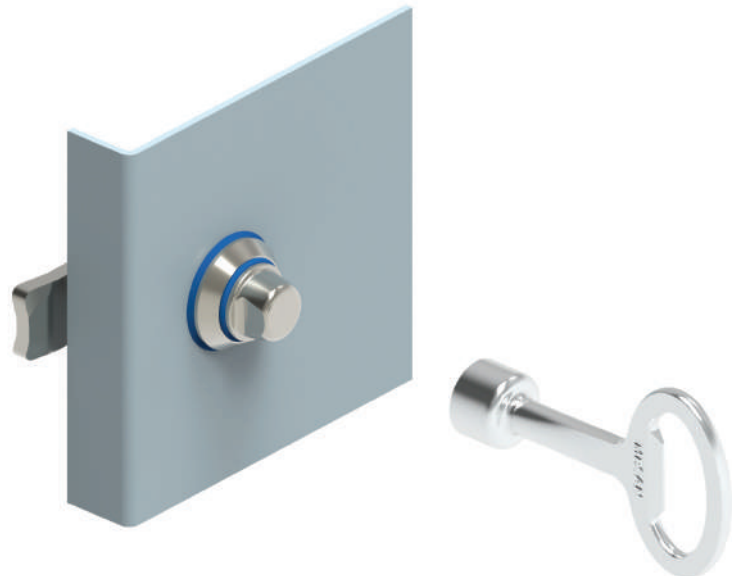
MATERIAL

HOUSING: Stainless Steel (AISI 316)
 DRIVER: Stainless Steel (AISI 316)
 CAM: Stainless Steel (AISI 304)
 ORING: Silicone



METAL KEY

368-94



MATERIAL

Zamak DIN-EN 1774-ZnAl4Cu1

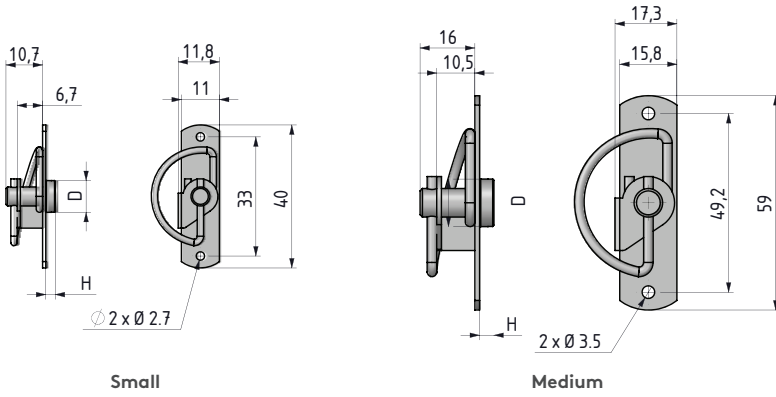
FINISH

Chrome plated

Group Code	Material	Finish	Cam
460	4	0	CC

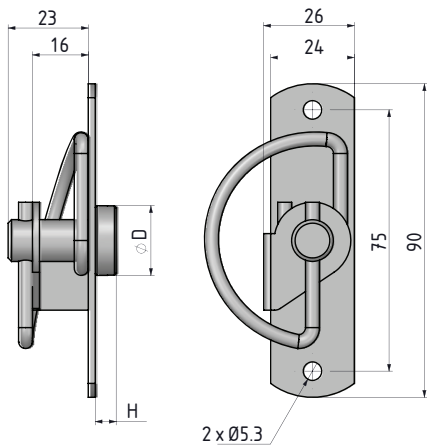
045

COMPRESSION - SPRING LATCH

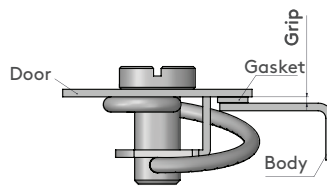


Small

Medium



Large



- Fix small panels to frame with ease
- Quarter-turn locking
- Easy assembly
- For doors with a bend of 24 mm

MATERIAL

BODY: Stainless steel
 DRIVER: Stainless steel
 SPRING: Stainless steel

For other materials please check: page 229

DRIVERS				
V	DD	Driver name	DØ	H
1	12	Slot - Small	10	3
	13	Knurled - Small	10.5	12
2	21	Hexagon Female 4 mm	12	3.5
	22	Slot - Medium	12	3.5
	23	Knurled - Small	13	17.5
3	31	Hexagon Female 8 mm	20	6
	32	Slot - Large	20	5



CAMS		
CC	Cam name	VERSION
41	Smooth Spring - Small	1
42	Smooth Spring - Medium	2
52	Serrated Spring - Medium	2
43	Smooth Spring - Large	3
53	Serrated Spring - Large	3

VERSIONS	
V	Product
1	Small Spring Latch
2	Medium Spring Latch
3	Large Spring Latch

Group Code	Version	Material	Finish	Driver No	Cam
045	V	4	0	DD	CC

STAINLESS STEEL PRODUCTS

PADLOCKABLE - 'L' HANDLE

211



- Padlockable stainless steel lock can be used for outdoor enclosures.
- Suitable for hygienic cabinets and electrical enclosures.

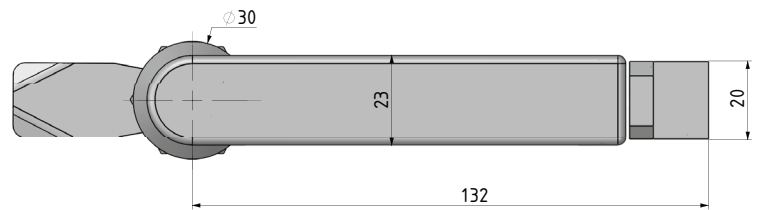
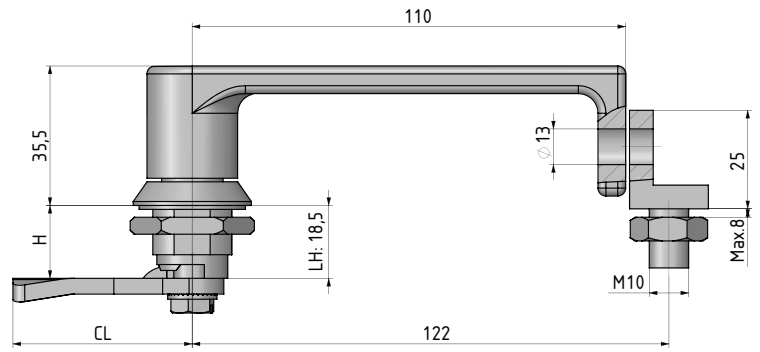
MATERIAL

HOUSING: Stainless Steel (AISI 316)

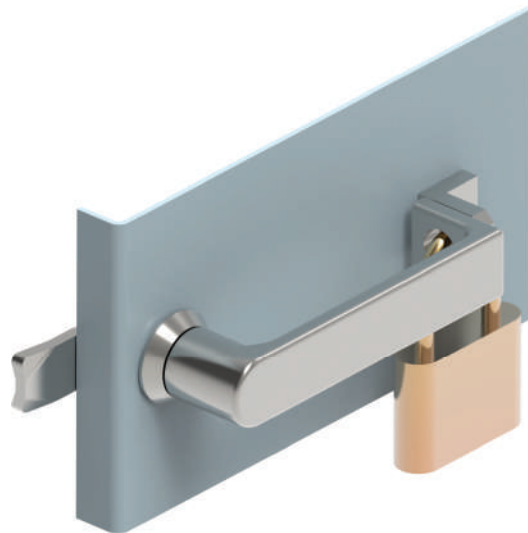
HANDLE: Stainless Steel (AISI 316)

CAM: Stainless Steel (AISI 304)

NUT: Stainless Steel (AISI 304)

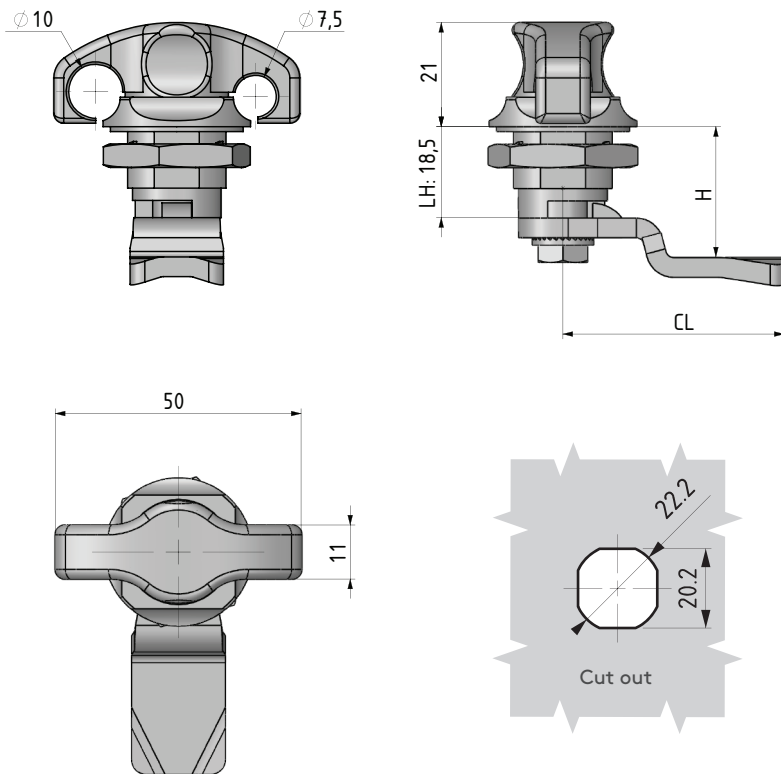


For other materials please check: page 202



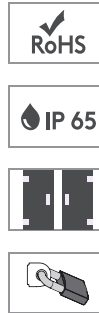
Group Code	Material	Finish	Cam
211	4	0	CC

For cams please check page: 174



562

PADLOCKABLE WING KNOB



- Shackle diameter is
Max. 9 mm for 10 mm hole
Min. 7.5 mm 10 mm hole
- Shackle diameter is
Max. 6 mm for 7.5 mm hole
Min. 5 mm 7.5 mm hole

MATERIAL

HOUSING: Stainless Steel (AISI 316)
KNOB: Stainless Steel (AISI 316)
CAM: Stainless Steel (AISI 304)
NUT: Stainless Steel (AISI 304)



For other materials please check:
page 198

Group Code	Material	Finish	Cam
562	4	0	CC

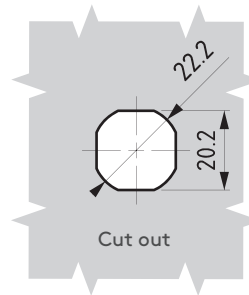
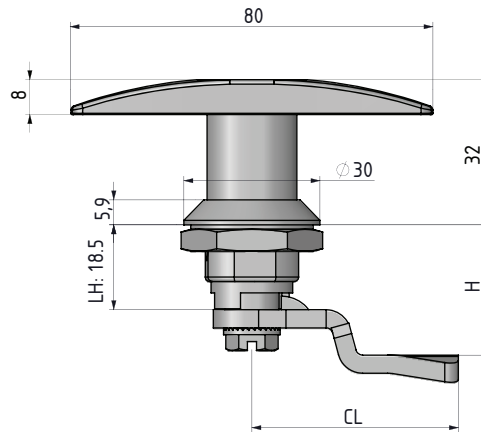
For cams please check page: 174

QUARTER TURN - T HANDLE

110



- RoHS
- IP 65
-



- Quarter-turn operation
- Stainless steel

MATERIAL

HOUSING: Stainless Steel (AISI 316)
 HANDLE: Stainless Steel (AISI 316)
 CAM: Stainless Steel (AISI 304)
 GASKET: Rubber



No cylinder '00'



For other materials please check:
page 254

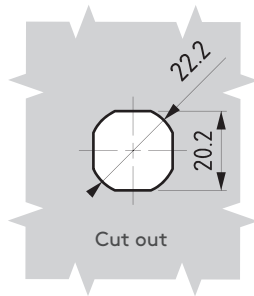
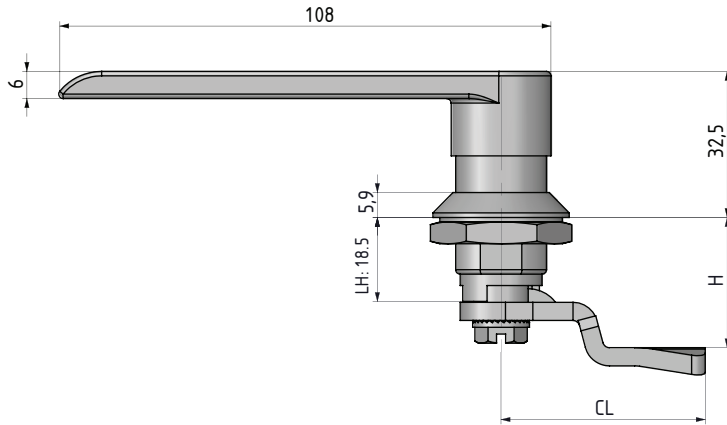
For cams please check page: 174

CYLINDER	SPECIFICATIONS	DD
	No cylinder	00
	Keyed alike	01
	Keyed differ	02
	Euro key (5333)	05
	CH751 (Stainless steel dust cap)	07

Group Code	Material	Finish	Cylinder	Cam
110	4	0	DD	CC

111

QUARTER TURN – L HANDLE



- Quarter-turn operation
- Stainless steel

MATERIAL


HOUSING: Stainless Steel (AISI 316)
 HANDLE: Stainless Steel (AISI 316)
 CAM: Stainless Steel (AISI 304)
 GASKET: Rubber



No cylinder '00'

For other materials please check: page 255

For cams please check page: 174

CYLINDER	SPECIFICATIONS	DD
	No cylinder	00
	Keyed alike	01
	Keyed differ	02
	Euro key (5333)	05
	CH751 (Stainless steel dust cap)	07

Group Code	Material	Finish	Cylinder	Cam
111	4	0	DD	CC

STAINLESS STEEL PRODUCTS

QUARTER TURN -WING KNOB

065

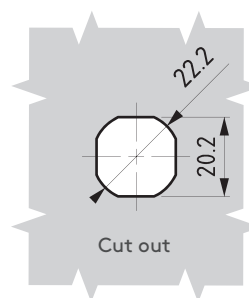
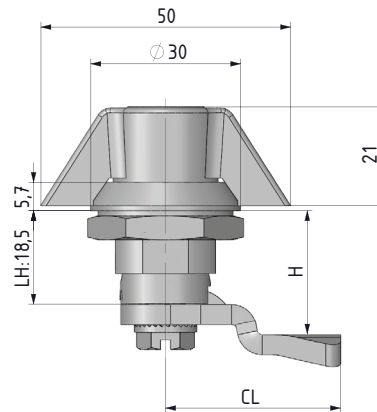


- RoHS
- IP 65
-

- Quarter turn operation
- All in stainless steel

MATERIAL

HOUSING: Stainless Steel (AISI 316)
 KNOB: Stainless Steel (AISI 316)
 CAM: Stainless Steel (AISI 304)
 GASKET: Rubber



No cylinder '00'

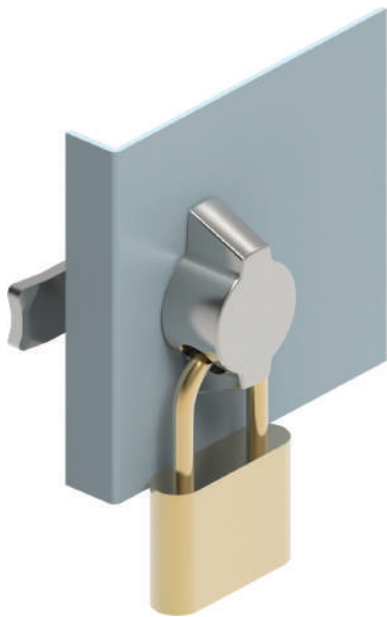
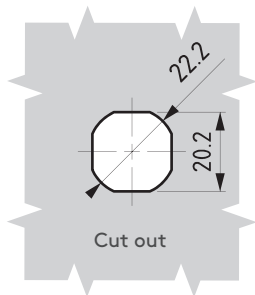
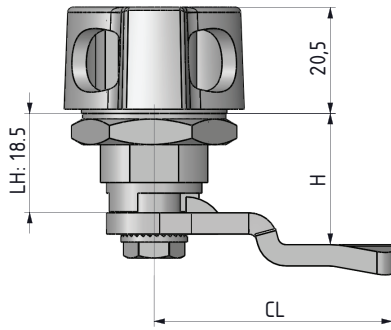


For other materials please check: page 252

CYLINDER	SPECIFICATIONS	DD
	No cylinder	00
	Keyed alike	01
	Keyed differ	02
	Euro key (5333)	05
	CH751 (Stainless steel dust cap)	07

Group Code	Material	Finish	Cylinder	Cam
065	4	0	DD	CC

For cams please check page: 174



DOOR DIRECTION	
Right hand	001 
Left hand	002 

Group Code	Material	Finish	Cam	Door Direction
265	4	0	CC	

265

PADLOCKABLE WING KNOB



- Padlockable wing knob. Maximum shackle diameter 6 mm.
- All in Stainless steel

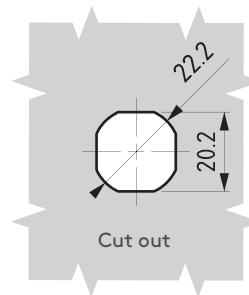
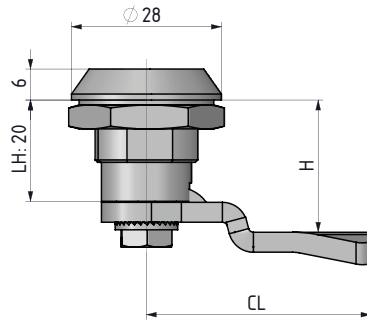
MATERIAL

HOUSING: Stainless Steel (AISI 316)
 KNOB: Stainless Steel (AISI 316)
 CAM: Stainless Steel (AISI 304)
 GASKET: Rubber

 For cams please check page: 174

CAM LOCK

063




- Quarter turn operation
- All in stainless steel

MATERIAL

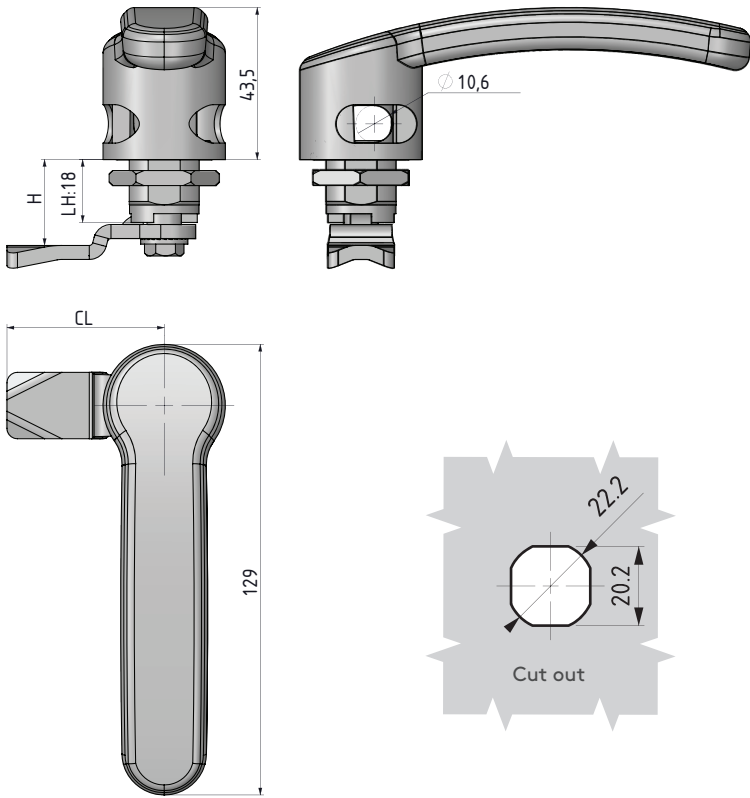
HOUSING: Stainless Steel (AISI 316)
 CAM: Stainless Steel (AISI 304)
 GASKET: Rubber

For other materials please check:
 page 249

CYLINDER	SPECIFICATIONS	DD
	No cylinder	00
	Keyed alike	01
	Keyed differ	02
	Euro key (5333)	05
	CH751 (Stainless steel dust cap)	07

Group Code	Material	Finish	Cylinder	Cam
063	4	0	DD	CC

 For cams please check page: 174



DOOR DIRECTION	
Right hand	001
Left hand	002

411

PADLOCKABLE L HANDLE



- Padlockable L handle. Maximum shackle diameter 10 mm.
- All in Stainless steel

MATERIAL

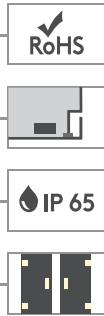
HOUSING: Stainless Steel (AISI 316)
 HANDLE: Stainless Steel (AISI 316)
 CAM: Stainless Steel (AISI 304)
 GASKET: Rubber

Group Code	Material	Finish	Cam	Door Direction
411	4	0	CC	

For cams please check page: 174

QUARTER TURN LOCK

860



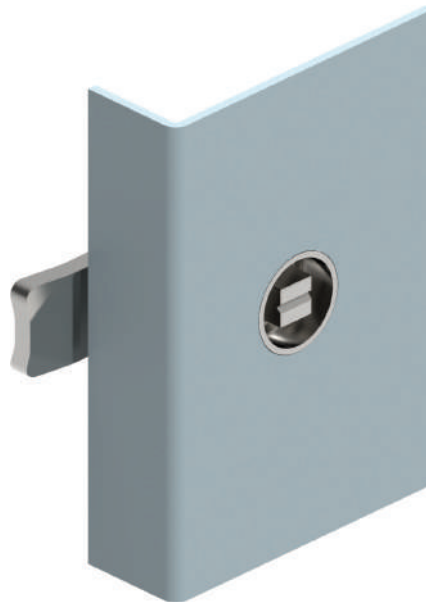
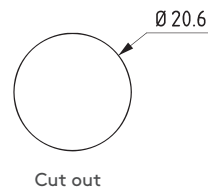
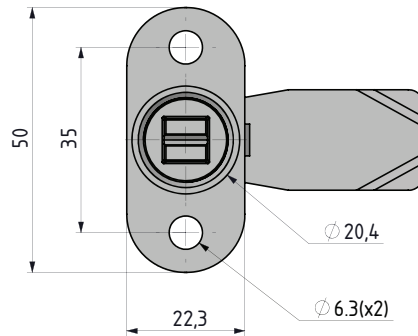
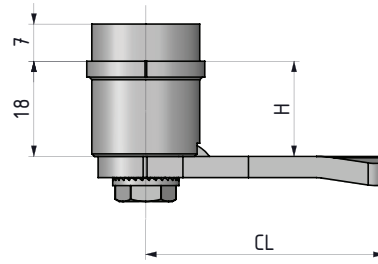
- Used for cabinets under vibration conditions
- Different driver alternatives are available

APPLICATIONS

Railway cabinets offroad applications

MATERIAL

HOUSING: Stainless Steel (AISI 316)
 DRIVER: Stainless Steel (AISI 316)
 CAM: Stainless Steel (AISI 304)



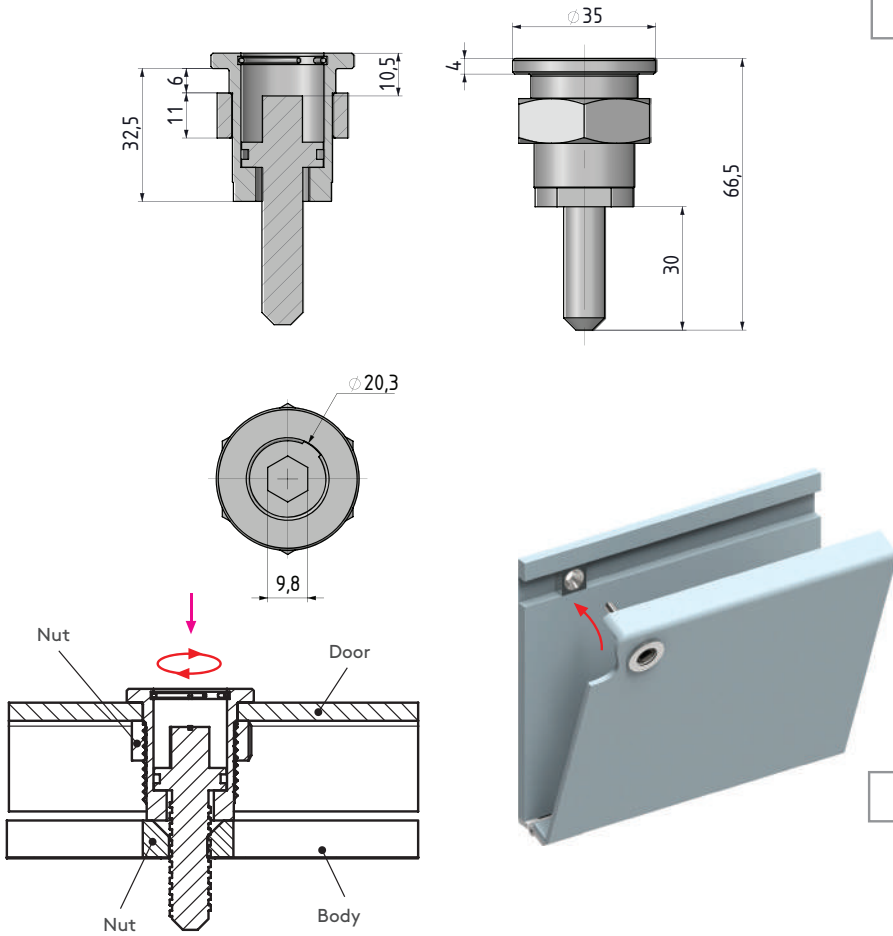
For cams please check page: 174

For keys please check pages: 189 - 191

For drivers please check pages: 458

Group Code	Material	Finish	Driver No	Cam
860	4	0	DD	CC

STAINLESS STEEL PRODUCTS



042

SCREW LOCK



- Used to lock railway cabinets

APPLICATIONS

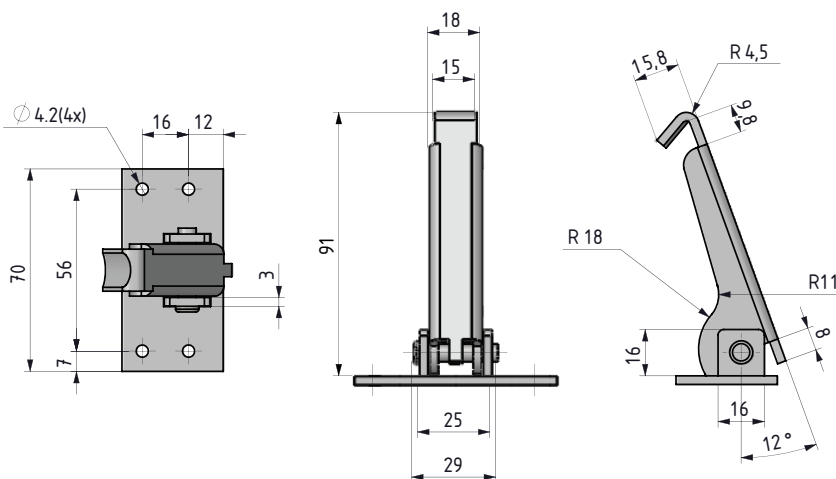
Railway cabinets

MATERIAL

BODY: Stainless Steel (AISI 316)
 DRIVER: Stainless Steel (AISI 316)
 NUT: Stainless Steel (AISI 304)

276

SAFETY LATCH

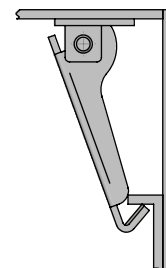


APPLICATIONS

Railway cabinets

MATERIAL

Stainless Steel



Group Code	Material	Finish
042	4	0

Group Code	Material	Finish
276	4	0



482-483



484-485



486-487



488



489



490-491



492



493



494



495



496



497



498



498



499



500



500-502



501-503



504



505



506-507



508



509



510



511



512



512



513



513



514



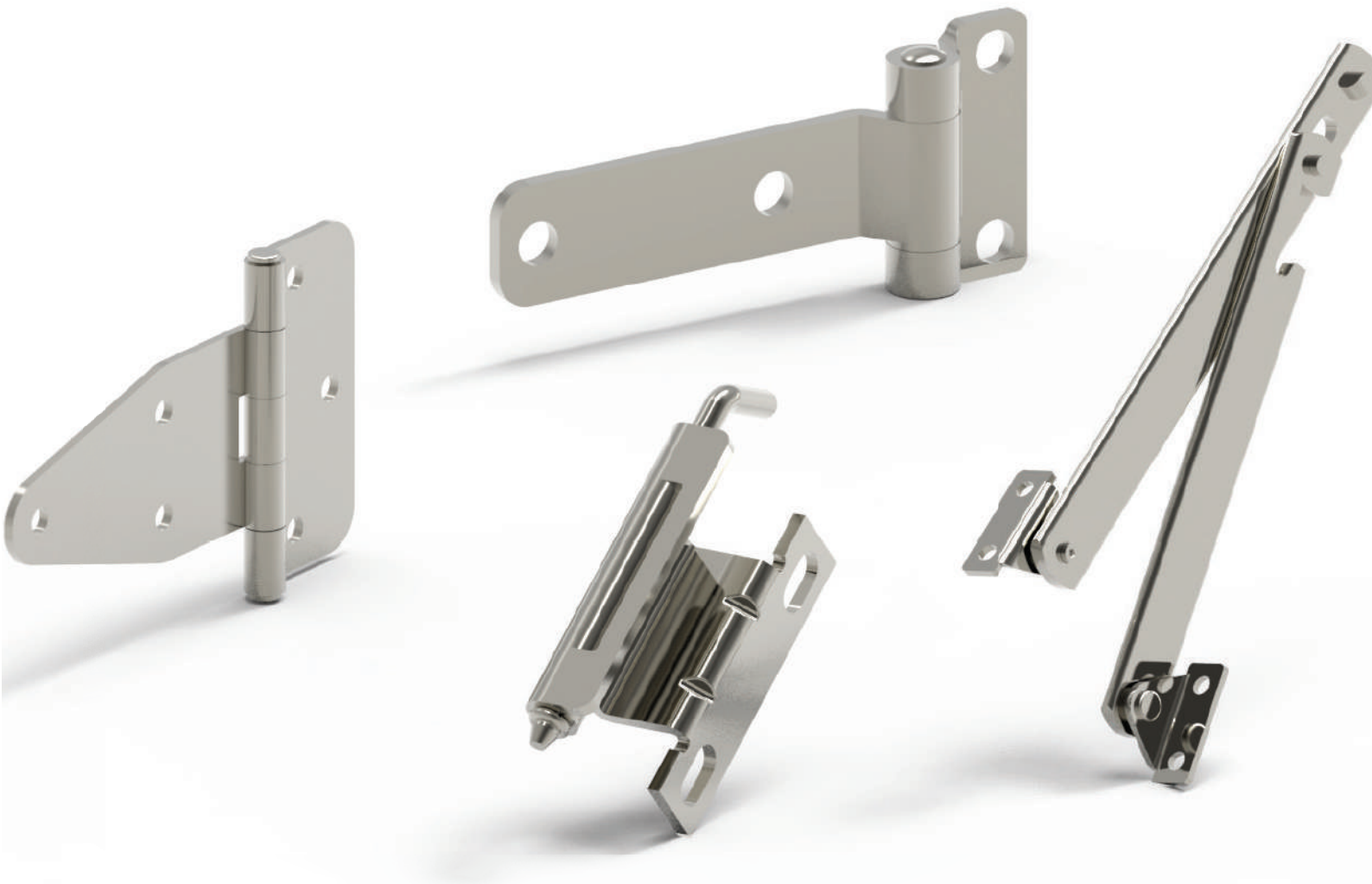
515



516



355



**STAINLESS STEEL PRODUCTS-
HINGES-ACCESSORIES**

480-515



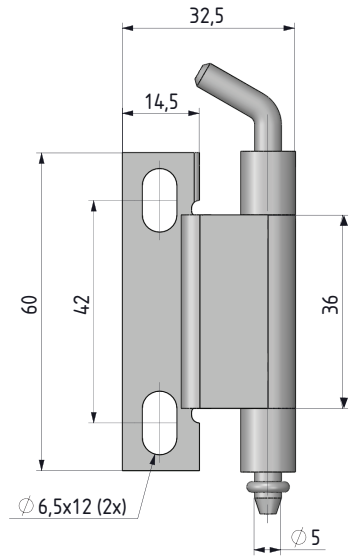
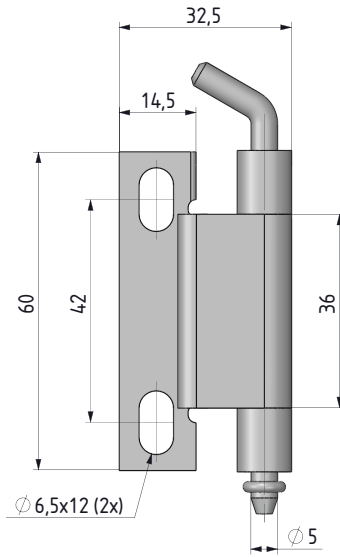
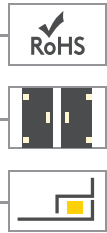
www.essentraaccessolutions.com

web | www.essentracomponents.com

STAINLESS STEEL PRODUCTS

CONCEALED HINGE

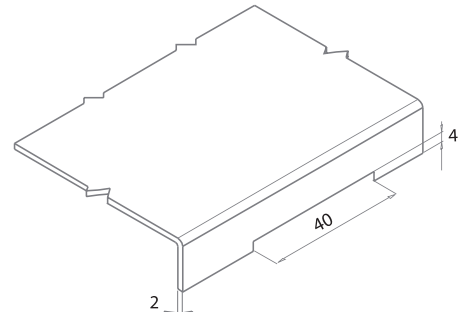
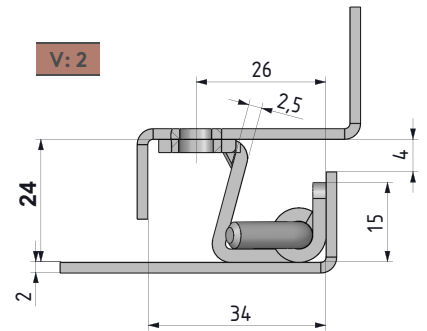
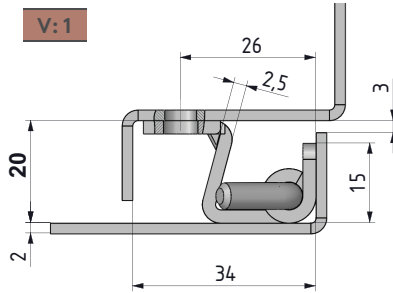
295



- For doors with a bend of between 20 mm and 24 mm
- Frame part is screwed on, door part is welded on
- Suitable for left- and right-hand application

MATERIAL

BODY: Stainless Steel (AISI 304)
PIN: Stainless Steel (AISI 303)



Hinge Rotation Angle



⚠ Note: Bolts are not supplied

For other materials please check: page 314

Group Code	Material	Finish	Version
295	4	0	V

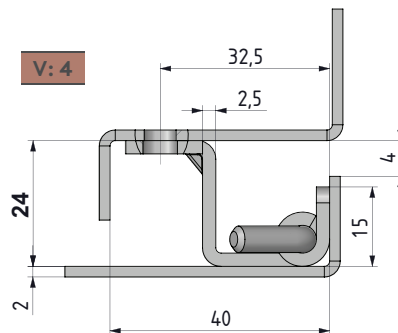
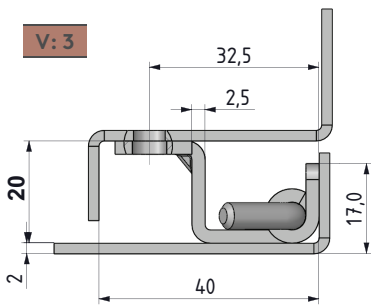
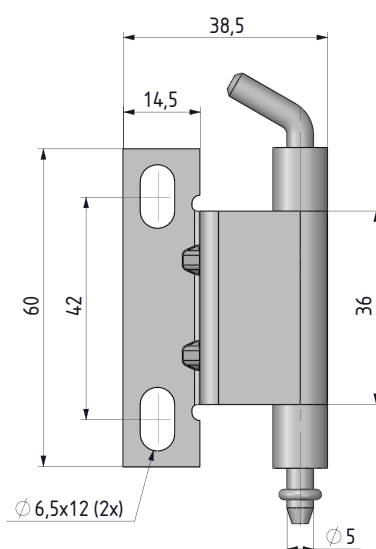
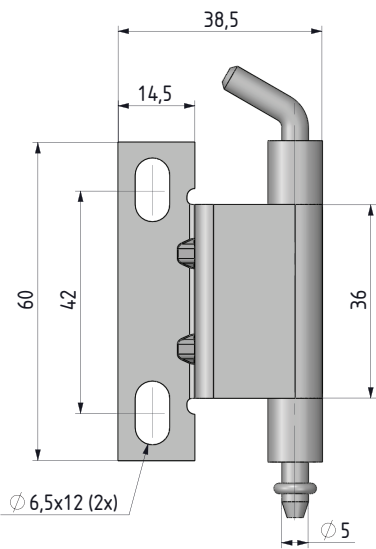
295

CONCEALED HINGE



MATERIAL

BODY: Stainless Steel (AISI 304)
PIN: Stainless Steel (AISI 303)



Hinge Rotation Angle



Note: Bolts are not supplied

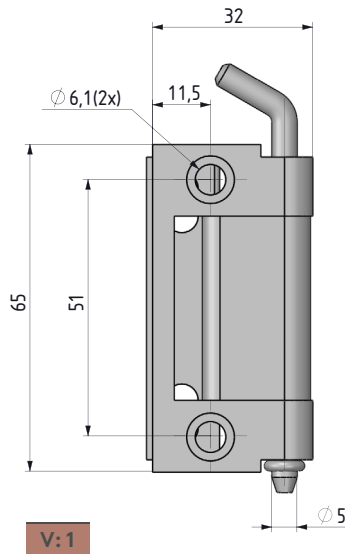
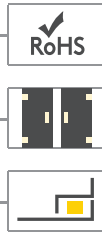
For other materials please check: page 315

Group Code	Material	Finish	Version
295	4	0	V

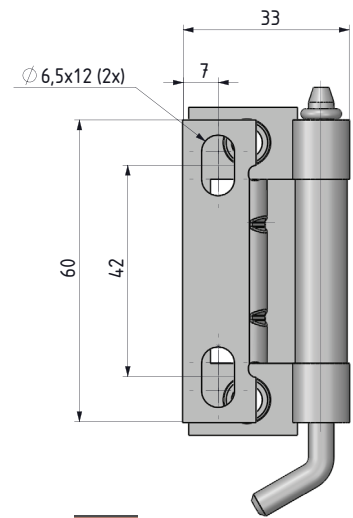
STAINLESS STEEL PRODUCTS

CONCEALED HINGE

395



V:1



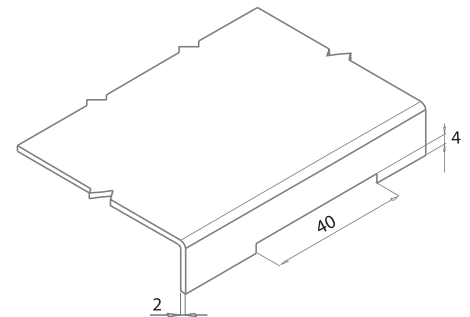
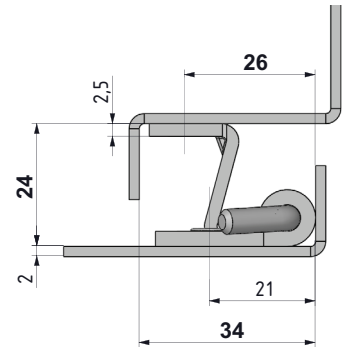
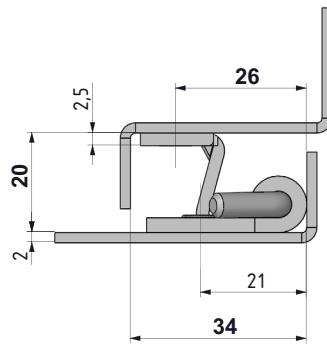
V:2

- For doors with a bend of between 20 mm and 24 mm
- Frame part screwed on, door part welded on
- Suitable for left- and right-hand applications

MATERIAL

BODY: Stainless Steel (AISI 304)

PIN: Stainless Steel (AISI 303)



Hinge Rotation Angle



⚠ Note: Bolts are not supplied

For other materials please check: page 316

Group Code	Material	Finish	Version
395	4	0	V

395

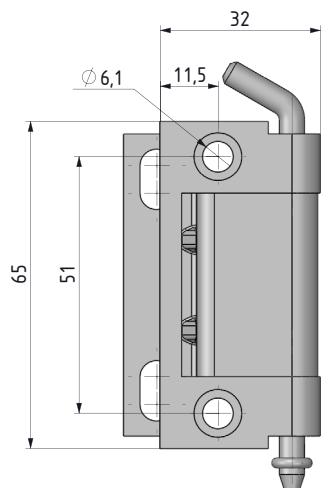
CONCEALED HINGE



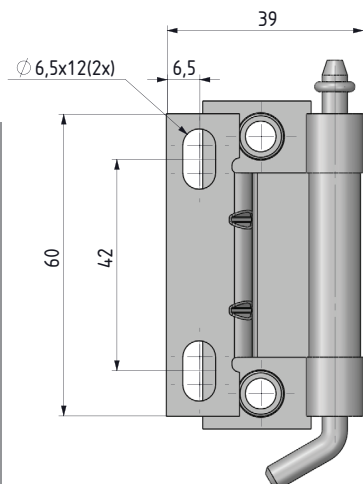
MATERIAL

BODY: Stainless Steel (AISI 304)

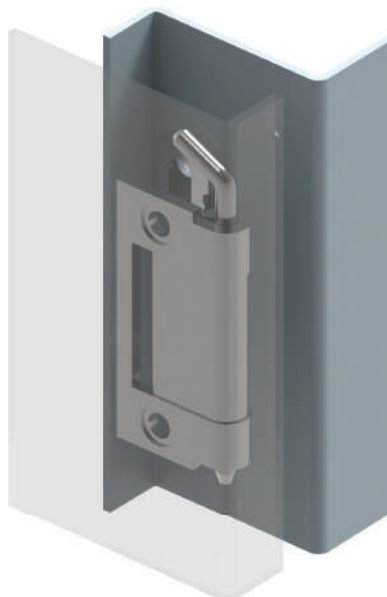
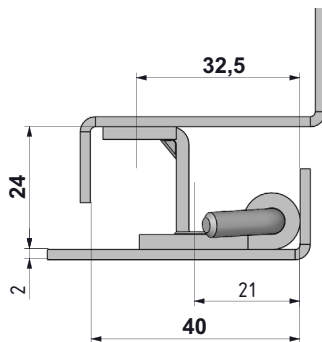
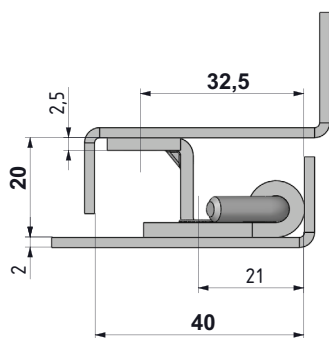
PIN: Stainless Steel (AISI 303)



V: 3



V: 4



Hinge Rotation Angle



Note: Bolts are not supplied

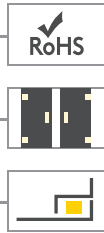
For other materials please check: page 317

Group Code	Material	Finish	Version
395	4	0	V

STAINLESS STEEL PRODUCTS

CONCEALED HINGE

695



- For doors with a bend of 18 mm
- Frame part screwed on, door part either welded on or screwed-on
- Suitable for left- and right-hand application

MATERIAL

BODY: Stainless Steel (AISI 304)
PIN: Stainless Steel (AISI 303)

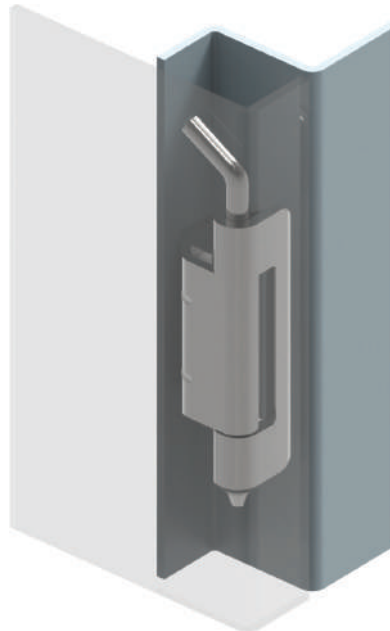
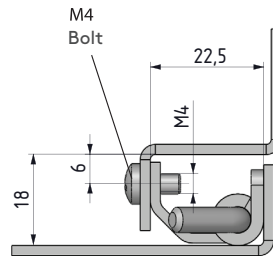
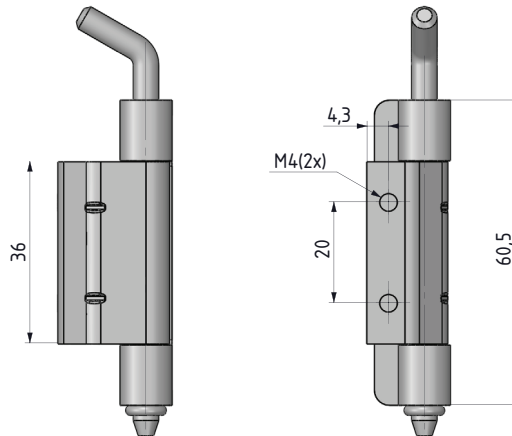
Hinge Rotation Angle



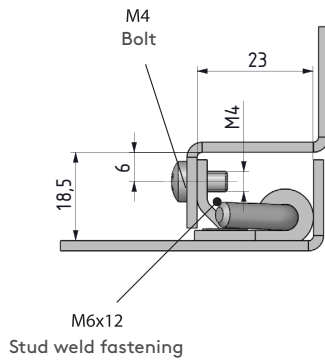
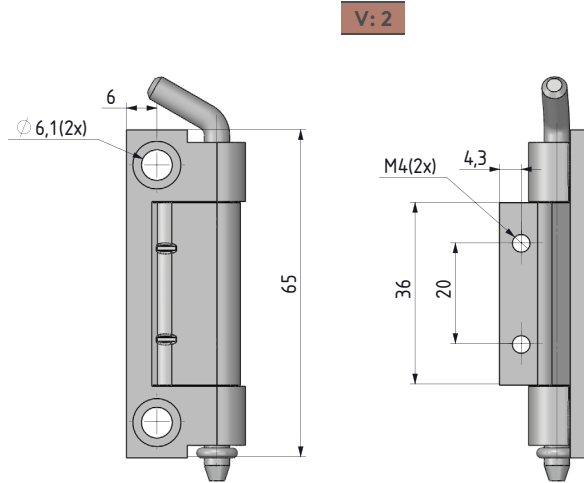
⚠ Note: Bolts are supplied

For other materials please check:
page 318

V: 1



Group Code	Material	Finish	Version
695	4	0	1



V: 2

695

CONCEALED HINGE



- For doors with a bend of 18.5 mm
- Frame part screwed on, door part mounted by nut to welded stud on door
- Suitable for left- and right-hand applications

MATERIAL

BODY: Stainless Steel (AISI 304)
PIN: Stainless Steel (AISI 303)

Hinge Rotation Angle



⚠ Note: Bolts are supplied

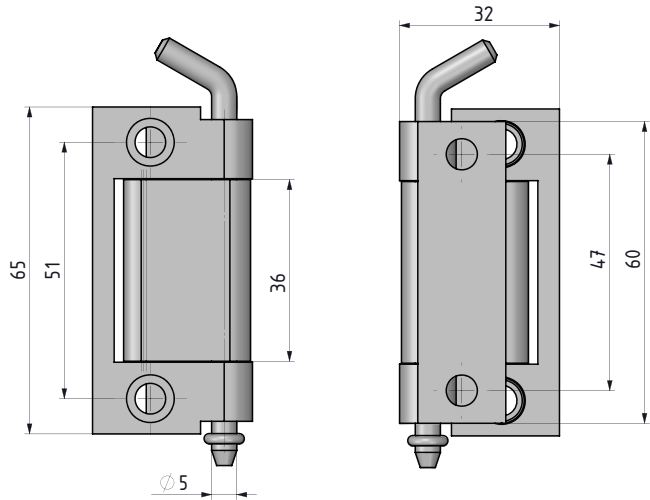
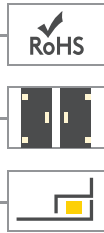
Group Code	Material	Finish	Version
695	4	0	2

For other materials please check: page 319

STAINLESS STEEL PRODUCTS

CONCEALED HINGE

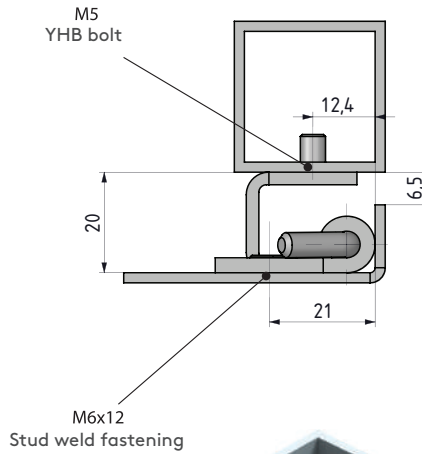
795



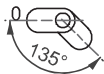
- For doors with a bend of 20 mm to fixed profiles
- Frame part screwed on, door part mounted by nut to welded stud on door
- Suitable for left- and right-hand applications

MATERIAL

BODY: Stainless Steel (AISI 304)
PIN: Stainless Steel (AISI 303)



Hinge Rotation Angle



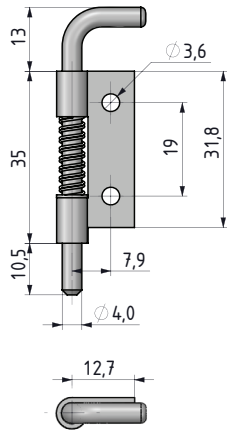
Note: Bolts are not supplied

For other materials please check:
page 320

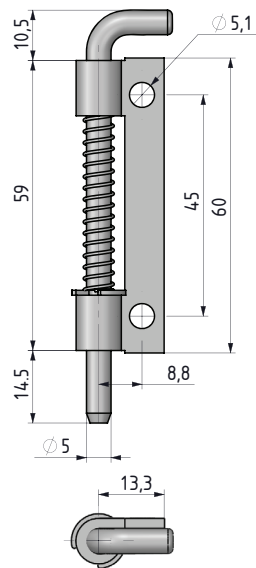
Group Code	Material	Finish
795	4	0



V:1



V:2



DOOR DIRECTION	
Right hand	001
Left hand	002

Group Code	Material	Finish	Version	Door Direction
289	4	0	V	

289

CONCEALED HINGE

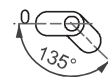


- For internally mounted doors
- Spring-loaded hinge for easy door removal
- Both versions either screwed or welded on
- Suitable for left- and right-hand applications

MATERIAL

BODY: Stainless Steel (AISI 304)
PIN: Stainless Steel (AISI 303)

Hinge Rotation Angle



⚠ Note: Bolts are not supplied

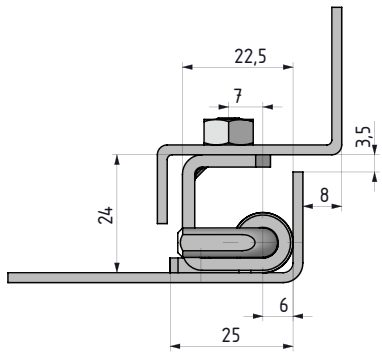
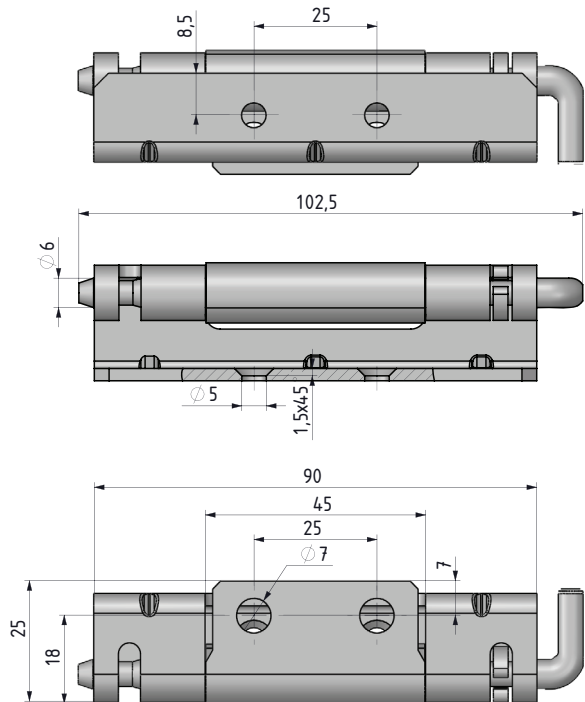
⚠ Note: Assembled RH (as drawn)
Assembled LH (mirror inverted)

For other materials please check: page 331

STAINLESS STEEL PRODUCTS

CONCEALED HINGE

1995

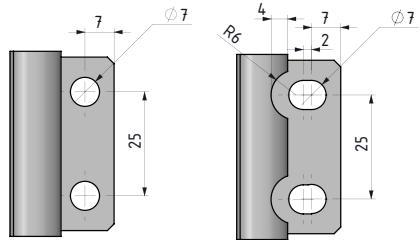


- Remove the door by just removing the pin
- Suitable for heavy-duty applications
- Suitable for 24 mm door bend cabinets

MATERIAL
 BODY: Stainless Steel (AISI 304)
 PIN: Stainless Steel (AISI 303)



Middle Parts



MP: 1
Circle Hole

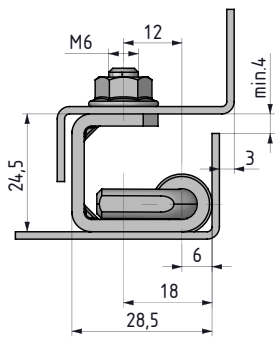
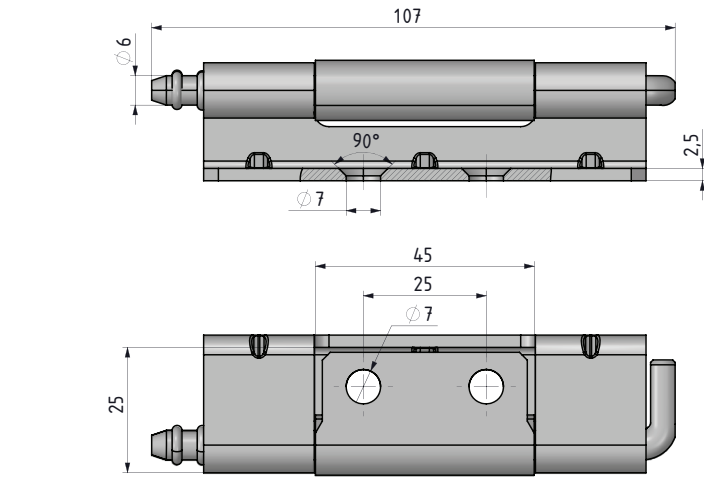
MP: 2
Slot hole

For other materials please check: page 326

⚠ Note: Bolts are not supplied

Group Code	Material	Finish	Version	Middle Part	Option
1995	4	0	4	MP	0

OPTION	OP
Hole	0



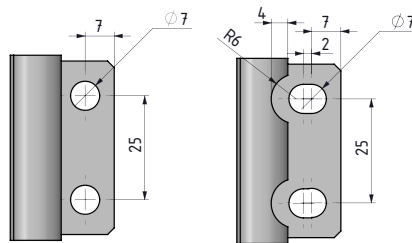
V:3

Fixed by O'ring

V:4

Fixed by clips

Middle Parts



MP:1

Circle Hole

MP:2

Slot hole

995

CONCEALED HINGE



- Remove the door by just removing the pin
- Suitable for heavy-duty applications
- Suitable for 24.5 mm bend door cabinets

MATERIAL

BODY: Stainless Steel (AISI 304)
PIN: Stainless Steel (AISI 303)

⚠ Note: Bolts are not supplied

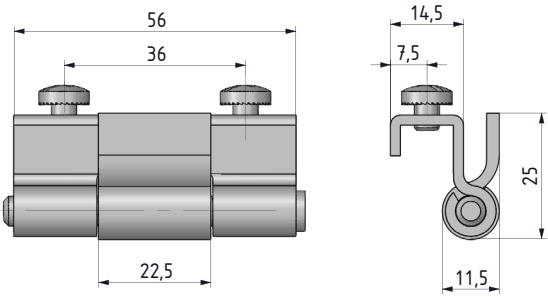
For other materials please check: page 324

Group Code	Material	Finish	Version	Middle Part	Option
995	4	0	V	MP	0

OPTION	OP
Hole	0

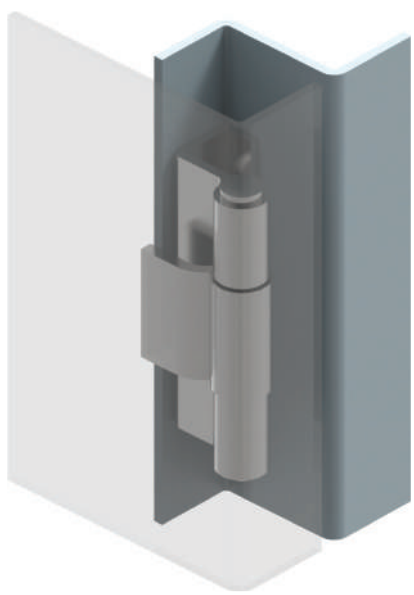
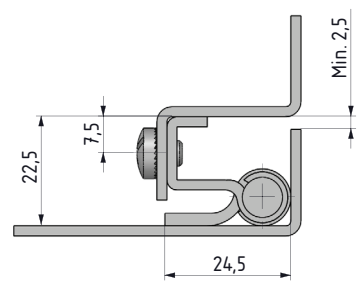
CONCEALED HINGE

095



- For doors with a bend of 22.5 mm or more

MATERIAL
 BODY: Stainless Steel (AISI 304)
 PIN: Stainless Steel (AISI 303)



Hinge Rotation Angle



Note: Bolts are supplied

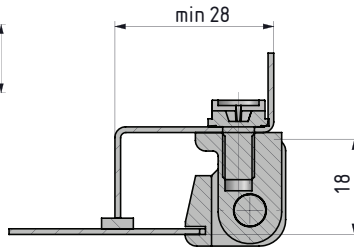
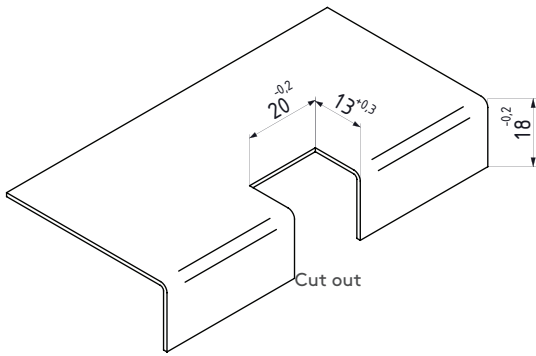
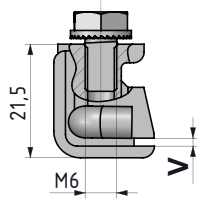
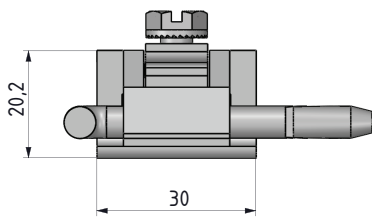
For other materials please check: page 310

Group Code	Material	Finish	Version	Option
095	4	0	1	0



097

CORNER HINGE



- Corner hinge
- Suitable for steel panels with a thickness of between 1.0 mm and 2.2 mm
- Hinge pin available in three types

MATERIAL

FIXED, MOVABLE PARTS: Stainless Steel
PIN: Stainless steel or Poliasetal (Delrin)

V:15

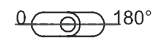
1.0 mm - 1.2 mm
door plate thickness
(097 M-F-P-15)

V:22

1.5 mm - 2 mm
door plate thickness
(097 M-F-P-22)



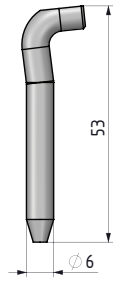
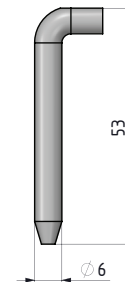
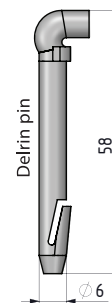
Hinge Rotation Angle



P:1

P:2

P:3

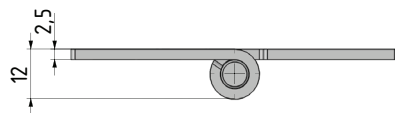
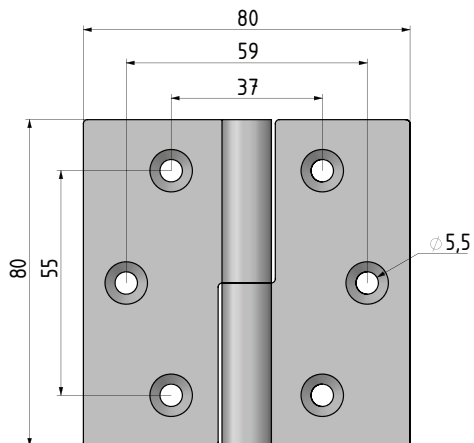


Group Code	Material	Finish	Pin	Version
097	4	0	P	V

For other materials please check: page 336

LIFT-OFF HINGE

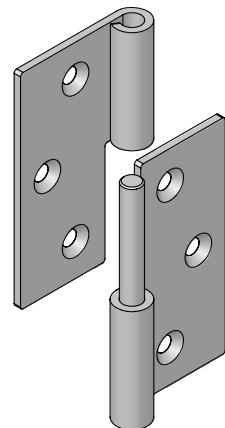
4299



- Designed for plain/flush-mounted doors
- Suitable for left- and right-hand applications

MATERIAL

BODY: Stainless Steel (AISI 304)
PIN: Stainless Steel (AISI 303)



Hinge Rotation Angle



For other materials please check: page 372

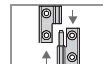
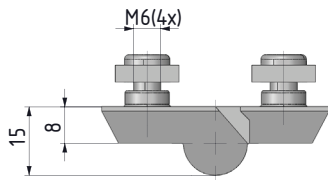
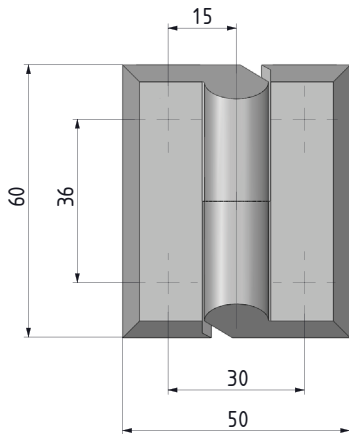
Group Code	Material	Finish	Door Direction
4299	4	0	

DOOR DIRECTION	
Right hand	001
Left hand	002



3599

LIFT-OFF HINGE

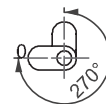


- Concealed mounting screws prevent external access to hinge
- Designed for plain/flush-mounted doors
- Suitable for left- and right-hand applications

MATERIAL

BODY: Stainless Steel (AISI 316)
PIN: Stainless Steel (AISI 303)

Hinge Rotation Angle

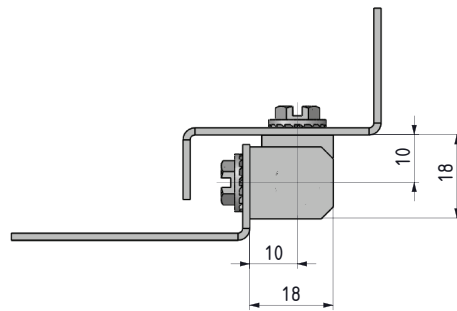
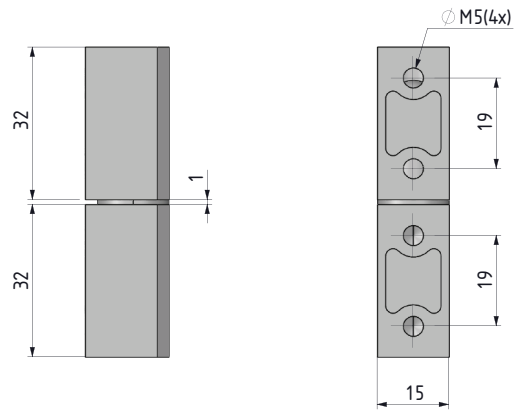


Group Code	Material	Finish	Door Direction
3599	4	0	

DOOR DIRECTION	
Right hand	001
Left hand	002

LIFT-OFF HINGE

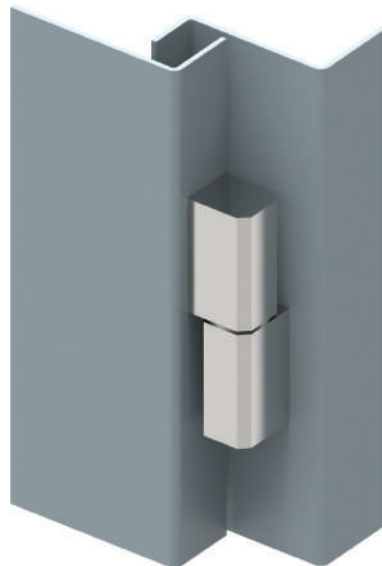
1293



- Lift-off hinge
- Suitable for left- and right-hand applications
- Maximum hinge rotation 180°

MATERIAL

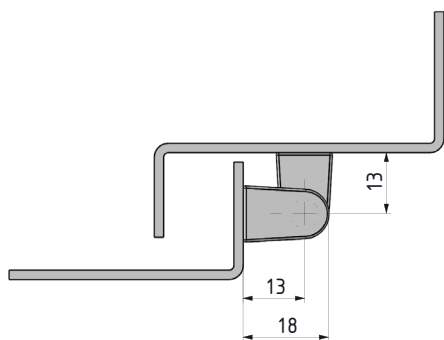
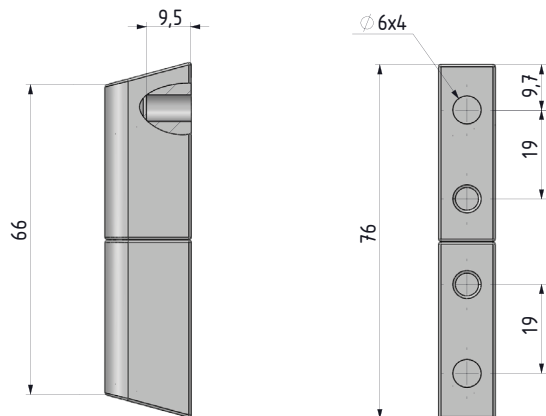
BODY: Stainless Steel (AISI 304)
PIN: Stainless Steel (AISI 303)



⚠ Note: Bolts are supplied

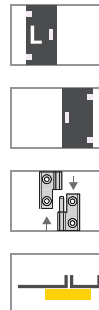
Group Code	Material	Finish	Door Direction
1293	4	0	

DOOR DIRECTION	
Right hand	001
Left hand	002



1399

LIFT-OFF HINGE



- Lift-off hinge
- Suitable for left- and right-hand applications
- Maximum hinge rotation 180°w

MATERIAL

BODY: Stainless Steel (AISI 304)
PIN: Stainless Steel (AISI 303)

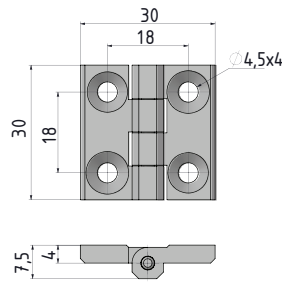
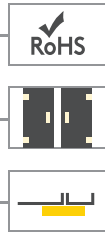
Group Code	Material	Finish	Door Direction
1399	4	0	

DOOR DIRECTION	
Right hand	001
Left hand	002

STAINLESS STEEL PRODUCTS

MINI LEAF HINGE

1299



- Generally used for plain/small flush mounted doors.
- Opening angle is 270°

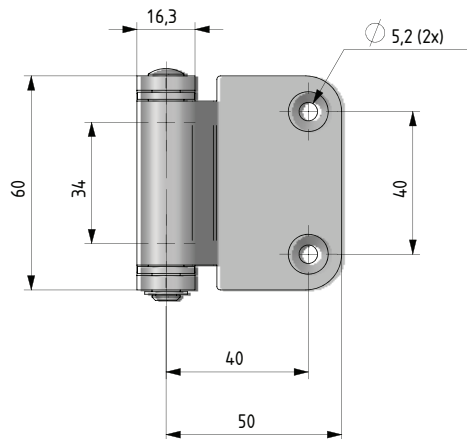
MATERIAL

Stainless Steel (AISI 316)

Group Code	Material	Finish
1299	4	0

FLAT HINGE

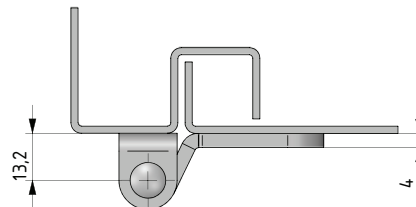
600



- Designed for plain/flush-mounted doors.

MATERIAL

BODY: Stainless Steel (AISI 316)
PIN: Stainless Steel (AISI 303)

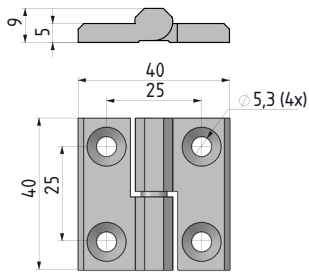


Hinge Rotation Angle

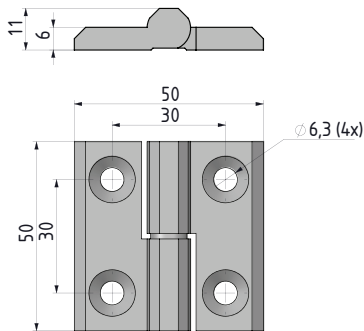
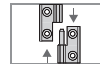
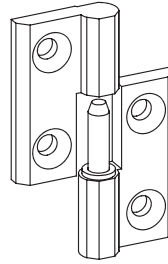


Group Code	Material	Finish	Height	Version
600	4	0	00	3

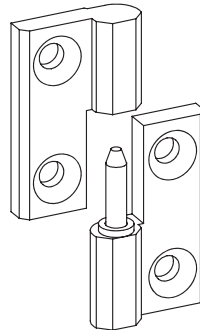
LIFT-OFF HINGE



GROUP CODE: 3299

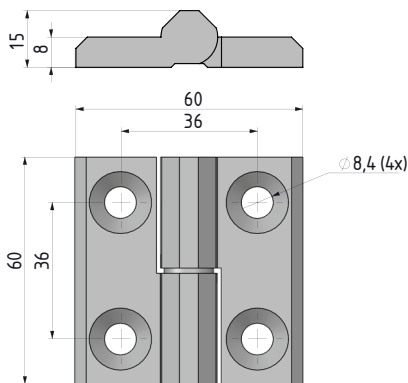


GROUP CODE: 3099

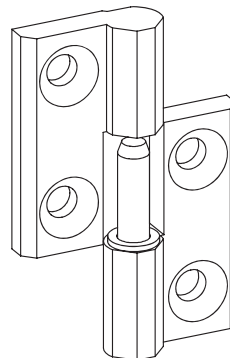


- Lift off hinge
- Suitable for left- and right-hand applications
- Opening angle 270°

MATERIAL
Stainless Steel (AISI 316)



GROUP CODE: 3399



Hinge Rotation Angle



Group Code	Material	Finish	Version	Door Direction
	4	0	1	

DOOR DIRECTION	
Right hand	001
Left hand	002

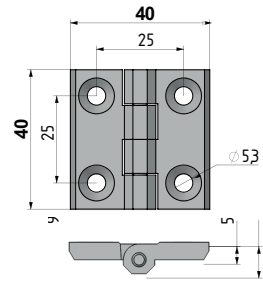
STAINLESS STEEL PRODUCTS

LEAF HINGE

299



V: 3



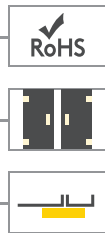
Group Code	Material	Finish	Version
299	4	0	3

- Generally used for plain/flush mounted doors
- Maximum hinge rotation 270°

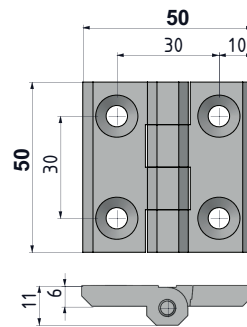
MATERIAL
Stainless Steel (AISI 316)

LEAF HINGE

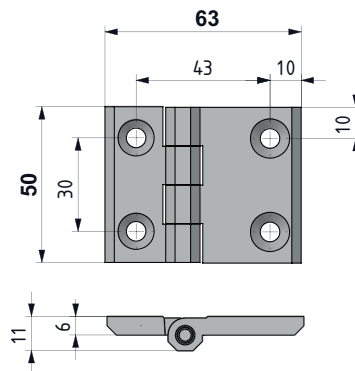
099



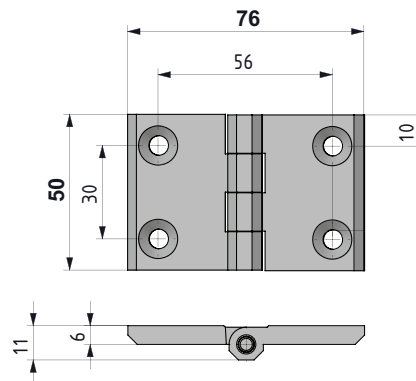
V: 4



V: 7



V: 10



- Generally used for plain/flush mounted doors
- Maximum hinge rotation 270°

MATERIAL
Stainless Steel (AISI 316)

Hinge Rotation Angle

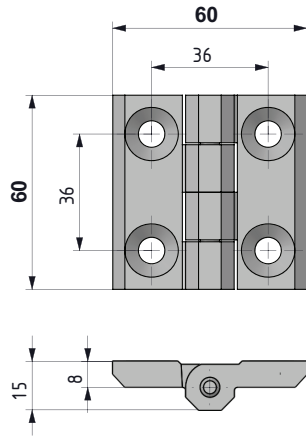


For other materials please check:
page 358-359

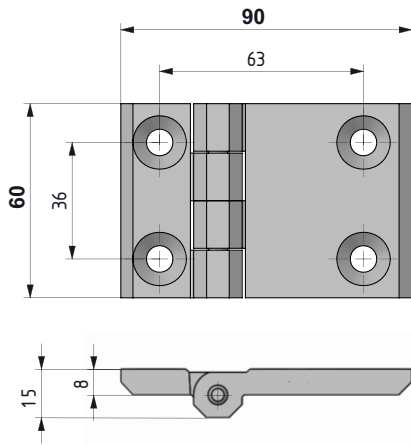
Group Code	Material	Finish	Version
099	4	0	V



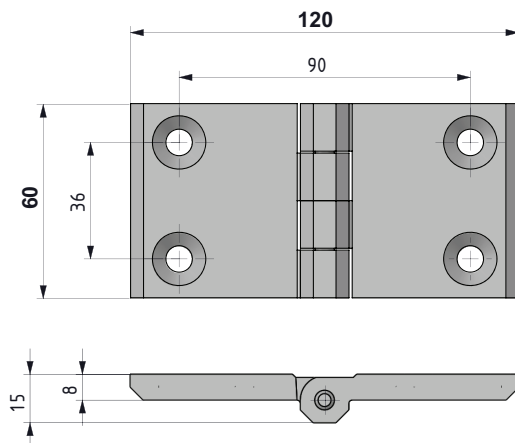
V: 4



V: 5



V: 6



399

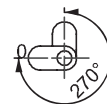
LEAF HINGE



- Generally used for plain / flush-mounted, isolated heavy doors
- Available in three sizes, hole fixing:
 - 60 mm x 60 mm
 - 60 mm x 90 mm
 - 60 mm x 120 mm
- Maximum hinge rotation 270°

MATERIAL
Stainless Steel (AISI 316)

Hinge Rotation Angle



Group Code	Material	Finish	Version
399	4	0	V

For other materials please check: page 360

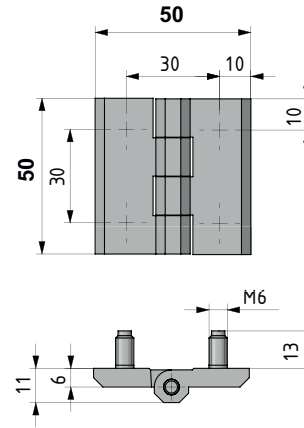
STAINLESS STEEL PRODUCTS

LEAF HINGE

099



V: 1

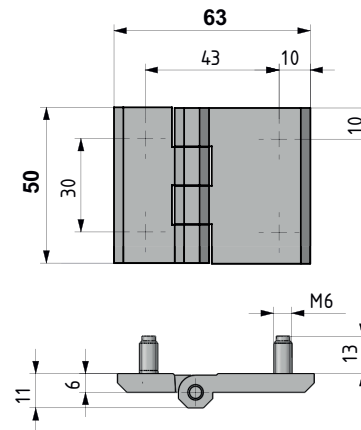


- Generally used for plain/flush mounted doors
- Maximum hinge rotation 270°
- Stud versions fitted with M6 x 12 mm threaded stud

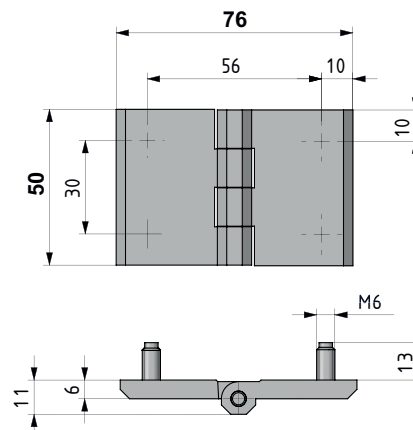
MATERIAL

Stainless Steel (AISI 316)

V: 8



V: 9



Hinge Rotation Angle

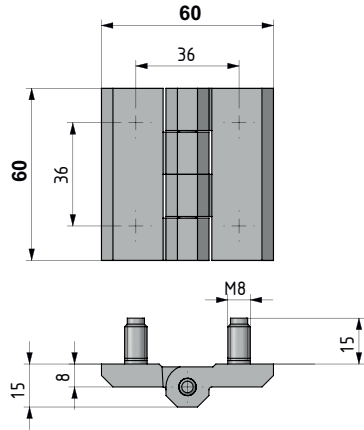


For other materials please check:
page 362

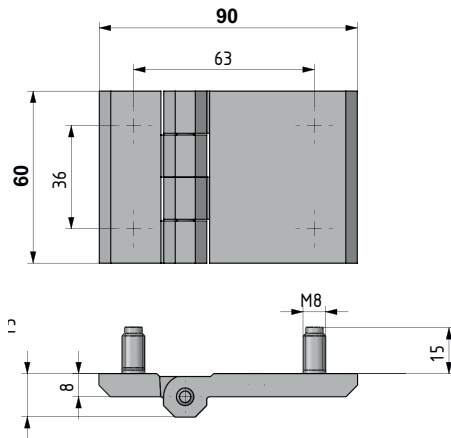
Group Code	Material	Finish	Version
099	4	0	V



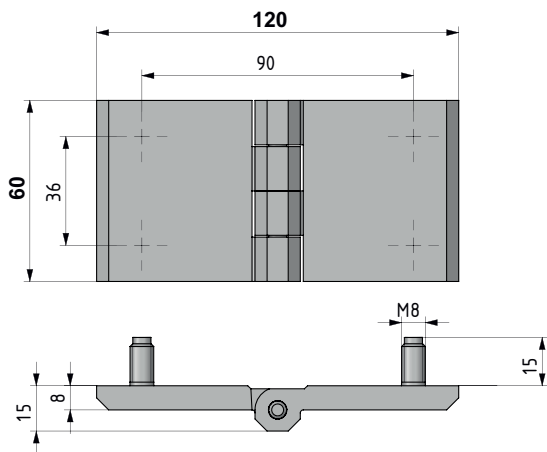
V:1



V:2



V:3



399

LEAF HINGE



- Generally used for plain/flush-mounted, isolated heavy doors
- Available in three sizes, stud fixing:
 - 60 mm x 60 mm
 - 60 mm x 90 mm
 - 60 mm x 120 mm
- Stud versions fitted with M8 x 14 mm threaded stud
- Maximum hinge rotation 270°

MATERIAL

Stainless Steel (AISI 316)

Hinge Rotation Angle

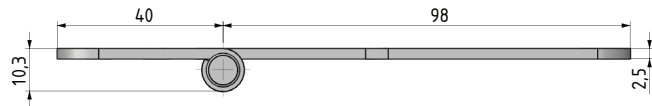
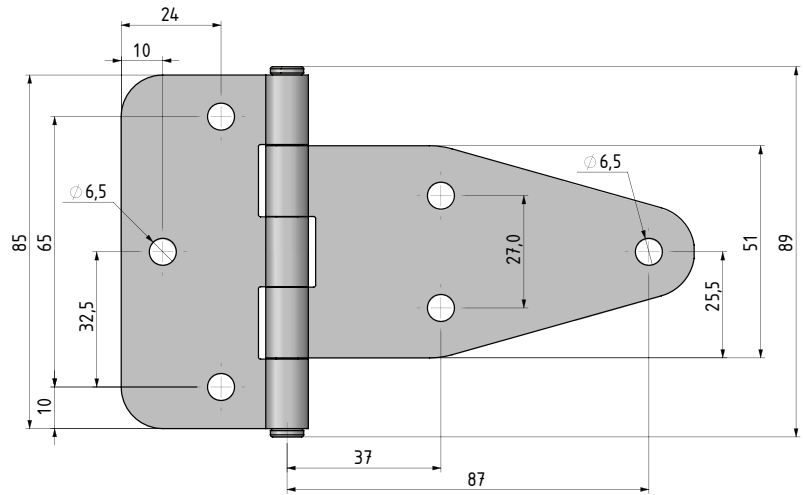


Group Code	Material	Finish	Version
399	4	0	V

For other materials please check: page 365

LEAF HINGE

599

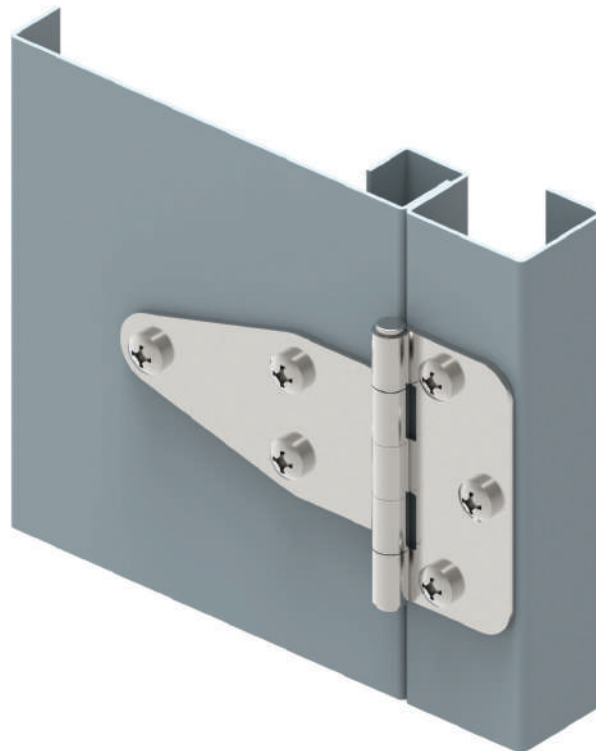


- Generally used for plain/flush-mounted, isolated, heavy doors
- Both parts attached by screws or nuts and bolts
- Hinge Rotation angle 180°

MATERIAL

BODY: Stainless Steel (AISI 304)

PIN: Stainless Steel (AISI 303)



Hinge Rotation Angle

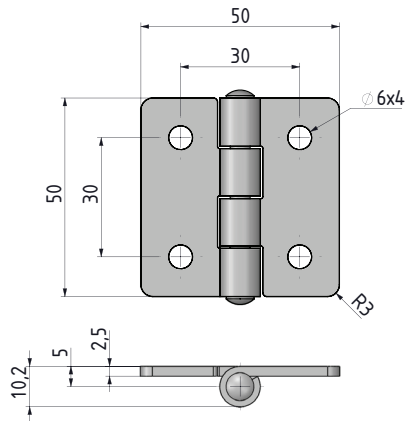


For other materials please check: page 367

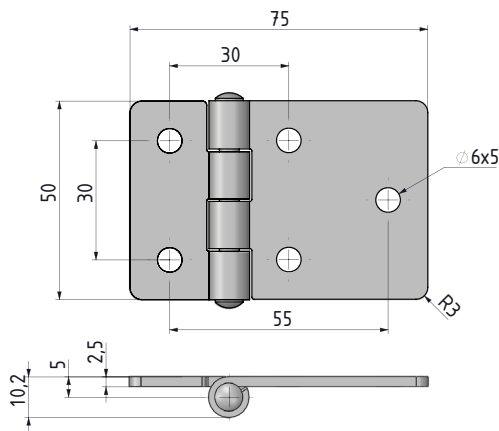
Group Code	Material	Finish
599	4	0



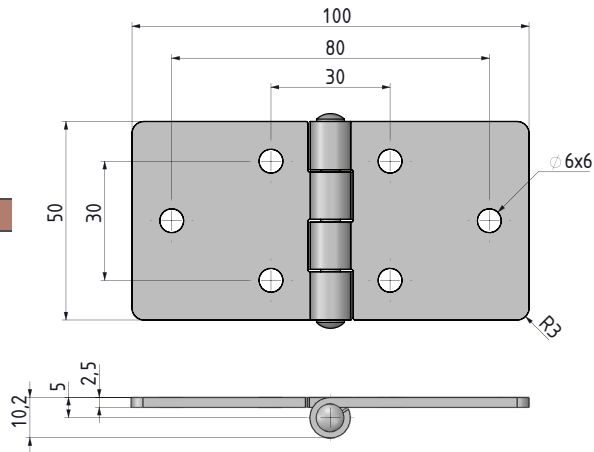
V:1



V:2



V:3



799

LEAF HINGE



- Generally used for plain/flush-mounted, isolated, heavy doors

MATERIAL

BODY: Stainless Steel (AISI 304)
PIN: Stainless Steel (AISI 303)

Hinge Rotation Angle



Group Code	Material	Finish	Version
799	4	0	V

For other materials please check: page 370

STAINLESS STEEL PRODUCTS

LEAF HINGE

1599



- Generally, used for plain/flush mounted, isolated, heavy doors.
- Both parts are attached by screws or nuts and bolts
- Hinge Rotation angle is 180°

MATERIAL

BODY: Stainless steel (AISI 304)

PIN: Stainless steel (AISI 303)

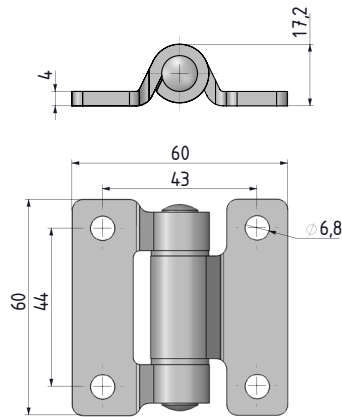
For other materials please check: page 368

Hinge Rotation Angle

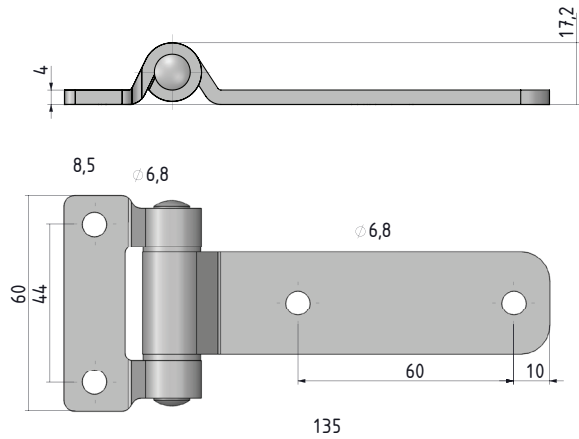


⚠ Note: Bolts are not supplied

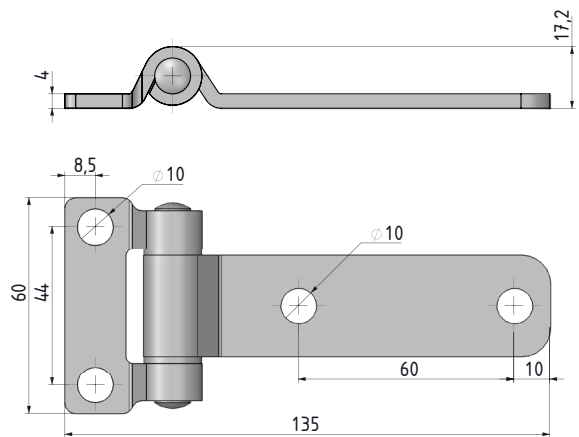
V: 1



V: 2



V: 3



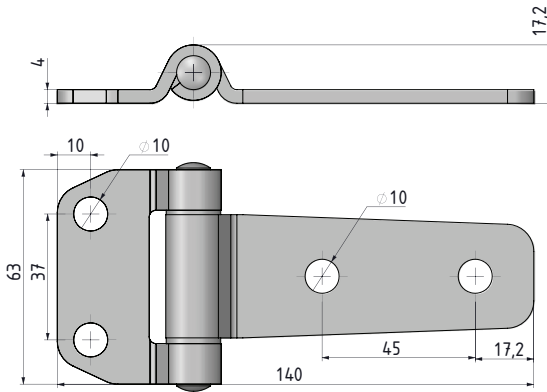
Group Code	Material	Finish	Version
1599	4	0	V



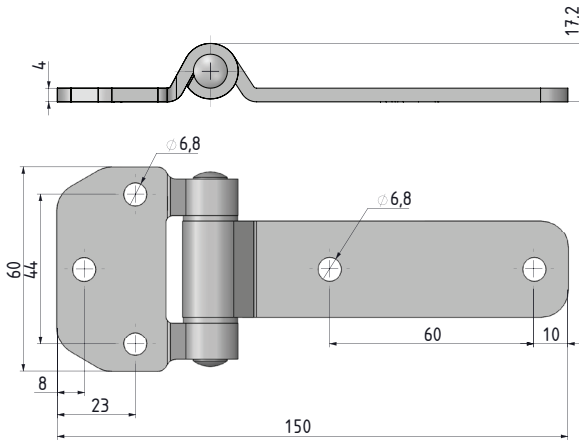
1599

LEAF HINGE

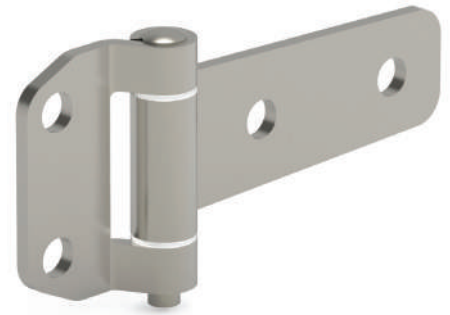
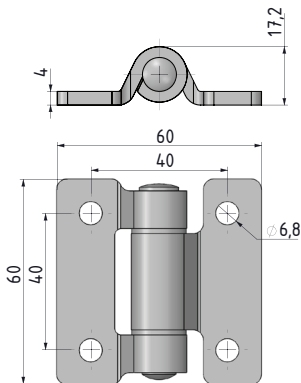
V: 4



V: 5



V: 6



- Generally, used for plain/flush mounted, isolated, heavy doors.
- Both parts are attached by screws or nuts and bolts
- Hinge Rotation angle is 180°

MATERIAL

BODY: Stainless steel (AISI 304)
PIN: Stainless steel (AISI 303)

For other materials please check: page 369

Hinge Rotation Angle



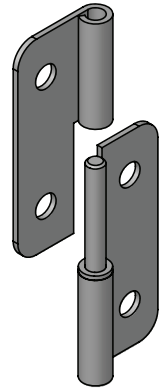
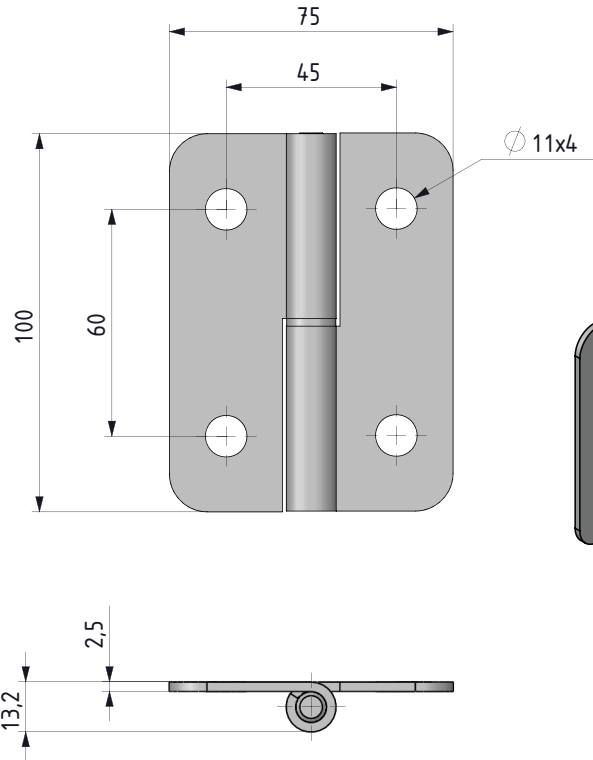
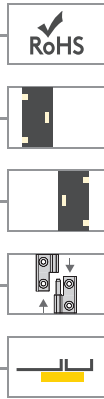
Group Code	Material	Finish	Version
1599	4	0	V

Note: Bolts are not supplied

STAINLESS STEEL PRODUCTS

LEAF HINGE (Lift-off)

899



- Heavy-duty, lift-off hinge, corrosion resistant
- Suitable for left- and right-hand applications
- Opening angle 180°

MATERIAL

BODY: Stainless Steel (AISI 304)
PIN: Stainless Steel (AISI 303)



For other materials please check:
page 365

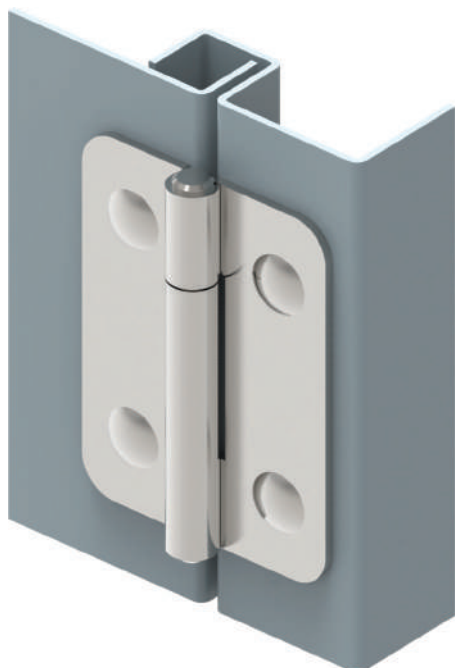
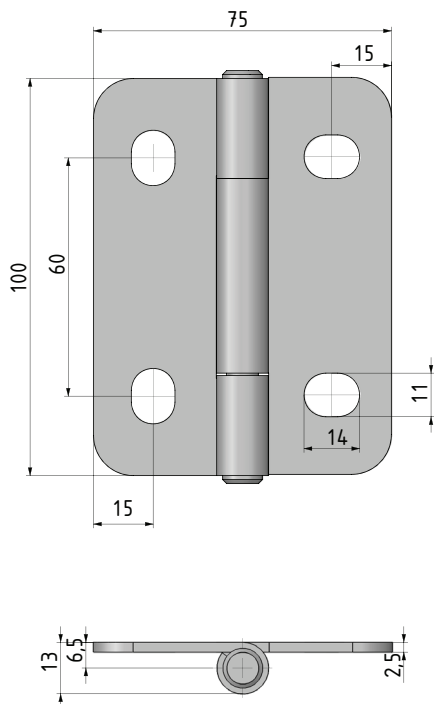
Hinge Rotation Angle



⚠ Note: Bolts are not supplied

FINISH		F	DOOR DIRECTION	
No finish	0		Right hand	001
Black coated	2		Left hand	002

Group Code	Material	Finish	Door Direction
899	4	F	



999 LEAF HINGE



- Generally used for plain/ flush-mounted doors
- Suitable for outdoor applications
- Opening angle 270°
- Body made of stainless steel

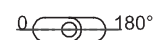
MATERIAL

BODY: Stainless Steel (AISI 304)
PIN: Stainless Steel (AISI 303)

Group Code	Material	Finish
999	4	F

FINISH	F
No finish	0
Black coated	2

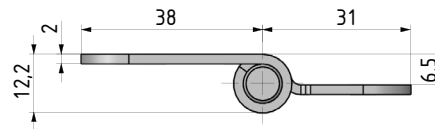
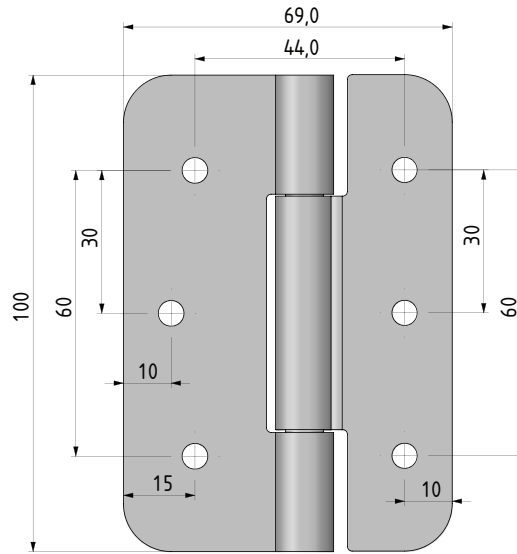
Hinge Rotation Angle



⚠ Note: Bolts are not supplied

LEAF HINGE

2999



- Generally used for plain / flush-mounted, isolated, heavy doors

MATERIAL

BODY: Stainless Steel (AISI 304)
PIN: Stainless Steel (AISI 303)



Hinge Rotation Angle



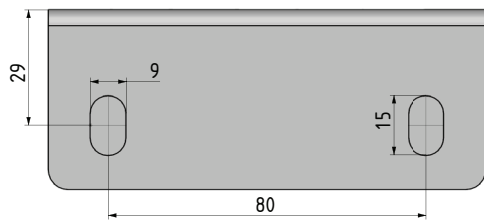
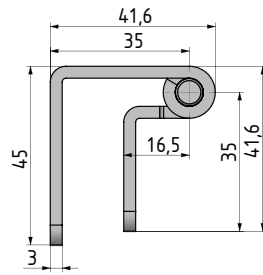
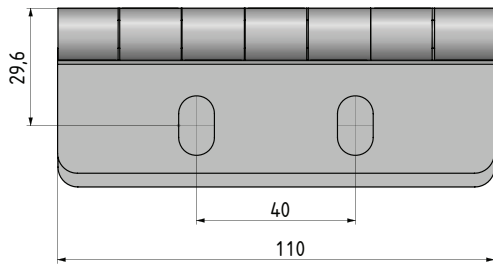
⚠ Note: Bolts are not supplied

Group Code	Material	Finish
2999	4	0



2890

CONCEALED HINGE



- Suitable for outdoor applications
- Heavy-duty hinge

MATERIAL

BODY: Stainless Steel (AISI 304)

PIN: Stainless Steel (AISI 303)

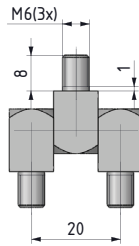
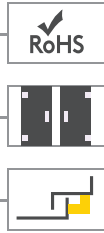


Group Code	Material	Finish
2890	4	0

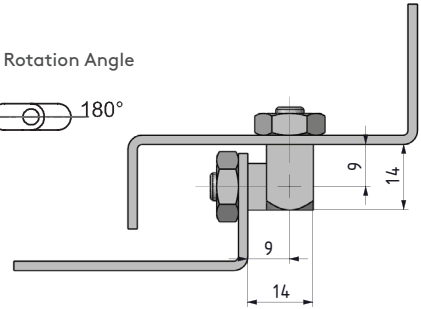
STAINLESS STEEL PRODUCTS

SIDE HINGE (10 mm)

090



Hinge Rotation Angle



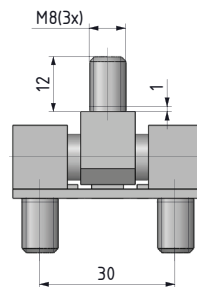
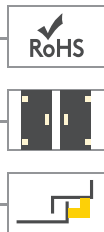
- Side mounted hinge
- Three 10 mm Stainless steel parts supplied separately
- For different dimensions contact Essentra

MATERIAL
Stainless Steel (AISI 303/304)

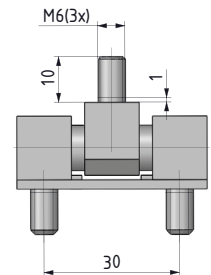
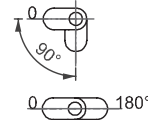
Group Code	Material	Finish
090	4	0

SIDE HINGE (12 mm)

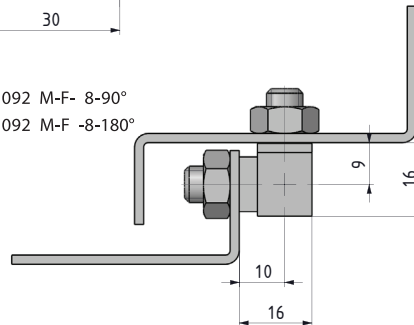
092



Hinge Rotation Angle



M8 → 092 M-F- 8-90°
092 M-F -8-180°



M6 → 092 M-F- 6-90°
092 M-F- 6-180°

- Side mounted hinge
- 12 mm parts and stainless steel bearings
- Parts are assembled by fixing plate
- For different dimensions, please contact Essentra
- 90° and 180° angle versions are available

MATERIAL
Stainless Steel (AISI 303/304)

Group Code	Material	Finish
092	4	0

For other materials please check:
page 288

192

SIDE HINGE (12 mm)

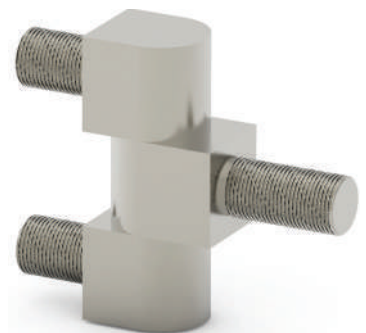


- Side-mounted hinge
- 12 mm parts and bearings made of stainless steel
- Parts are tightly fitted

MATERIAL
Stainless Steel (AISI 303/304)

193

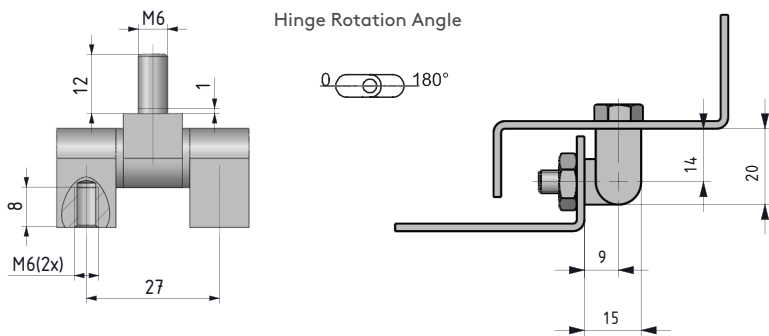
SIDE HINGE (16 mm)



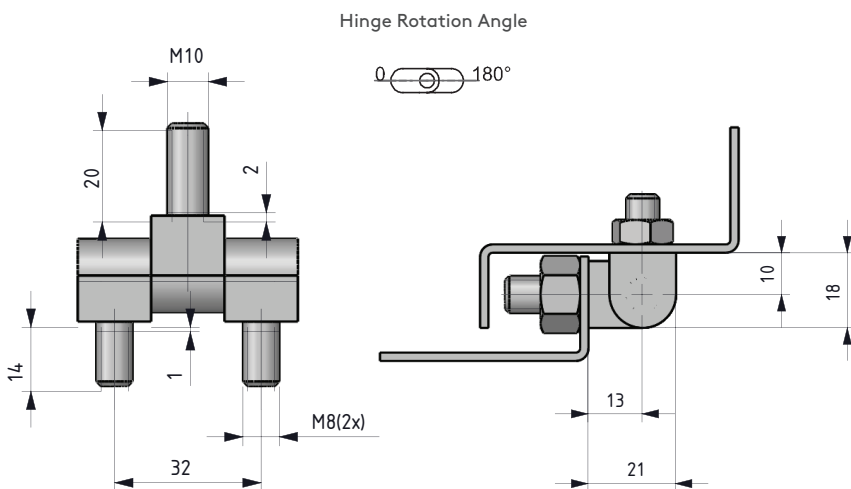
- Side-mounted hinge
- 16 mm parts made of stainless steel
- Parts are tightly fitted.

MATERIAL
Stainless Steel (AISI 303/304)

For other materials please check:
page 289



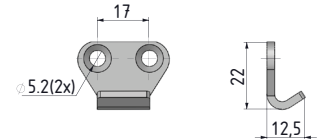
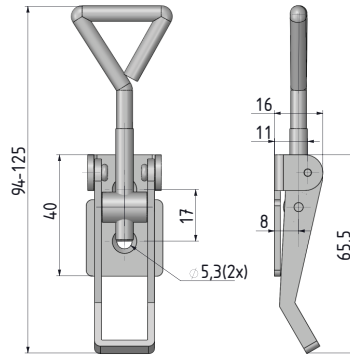
Group Code	Material	Finish
192	4	0



Group Code	Material	Finish
193	4	0

TOGGLE LATCH

340.00.134



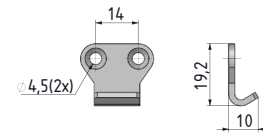
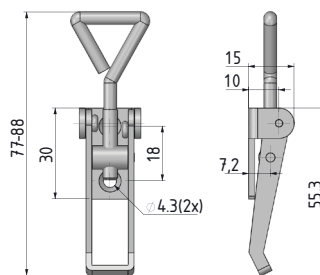
Catch plate

- Used for: tool boxes, cabinets, ships, agriculture and material equipments

MATERIAL
Stainless Steel (AISI 304)

TOGGLE LATCH

340.00.132



Catch plate

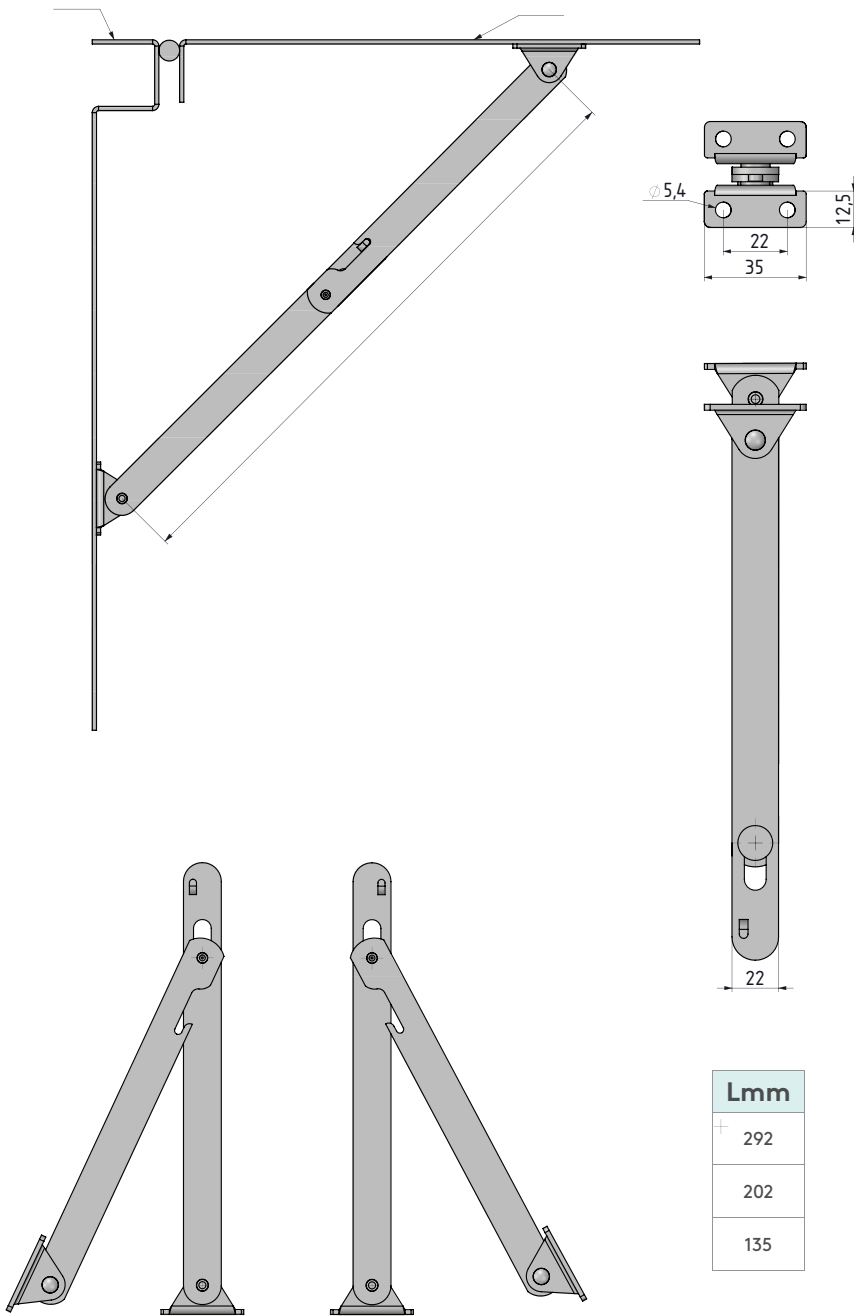
- Used for: tool boxes, cabinets, ships, agriculture and material equipments

MATERIAL
Stainless Steel (AISI 304)

For other materials please check:
page 436

279

COVER STAY



- Suitable for heavy-duty applications
- Manufactured using 4 mm thick steel

MATERIAL
Stainless Steel (AISI 304)

Lmm
292
202
135

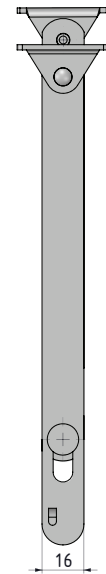
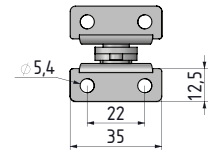
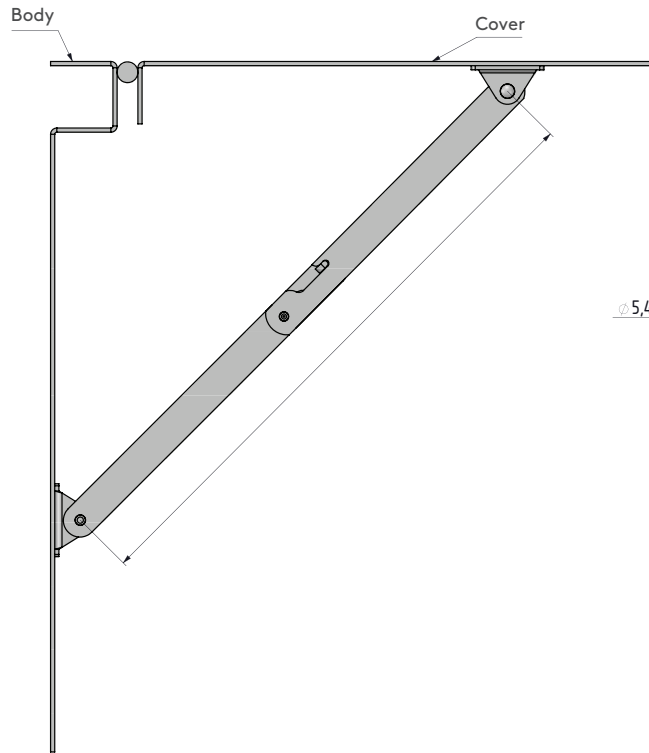
Group Code	Material	Finish	Length	Door Direction
279	4	0	L	

DOOR DIRECTION	
Right hand	001 
Left hand	002 

For other materials please check: page 443

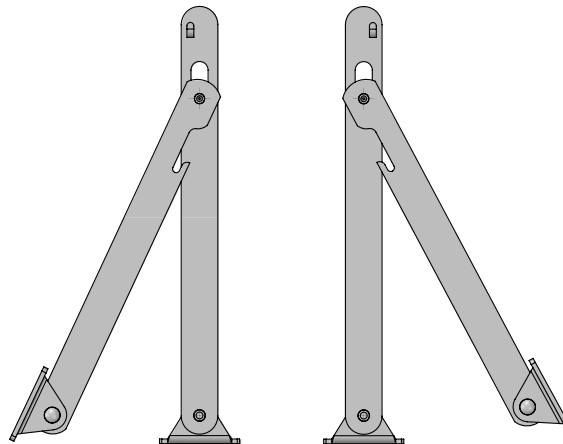
COVER STAY

079



LEFT

RIGHT



Lmm
292
202
135

MATERIAL
Stainless Steel (AISI 304)

For other materials please check:
page 442

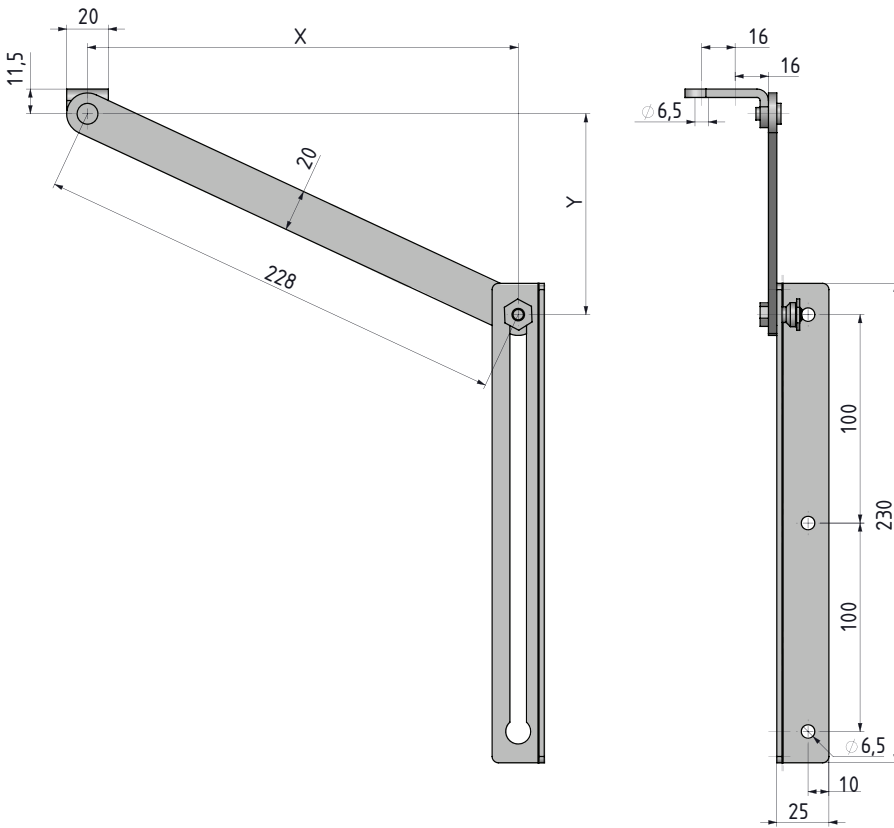
Group Code	Material	Finish	Length	Door Direction
079	4	0	L	

DOOR DIRECTION	
Right hand	001
Left hand	002



179

COVER STAY



- Cover Stay with automatic lock to keep the door open
- suitable for left- and right-hand application

MATERIAL
Stainless Steel (AISI 304)

Installation dimensions

OPENING ANGLE	DIMENSIONS		MINIMAL DOOR WIDTH
	X	Y	
90°	140	180	405
105°	120	166	390
120°	110	150	375
135°	100	146	370

For other configurations:
 $y = X + \text{min.}40$

Group Code	Material	Finish
179	4	0

For other materials please check: page 444



522



524



525-526



527



528-529



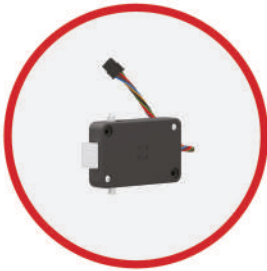
530-531



532-533



534-535



536



537



538



539



540



541



542



543



544



545



546



547



ELECTRONIC LOCKING SYSTEM

518-547



MONITORING & ACCESS CONTROL CONCEPT

The security of IT cabinets in server rooms and data centres is becoming more important worldwide. The reason is that a typical IT infrastructure supports the entire organization and stores the know how of the company.

We have developed an integrated access control system called ELS.

This new system enables you to monitor and control your IT environment in a very efficient way. Sensors detect door access, variations in temperature, security and other variables to give you immediate notification and greater control over your network, all at a great value. Cabinet doors can be opened by RFID cards, a key pad or remote control units.

This solution manages who can open which cabinet doors and when and allows you to get a detailed report for each cabinet.

Basic features

- Provides environmental monitoring, access control and a management system
- Prevents unauthorized access
- Allows doors to be opened using a proximity card, keypad or via a web interface
- Accommodates sensors to monitor temperature, humidity, smoke, the presence of water or liquids, etc.
- Automatically generates an audio alert
- Records all the security information you need every time the door to a server cabinet is opened – whom, where, when



Applications

- Server cabinets
- Data centres
- Electric panels
- Telecommunications
- Kiosks
- GSM Cabinets





SYSTEM OVERVIEW

- IP monitoring of environmental conditions in the rack cabinet
- Control of physical access to the rack cabinet
- User interface via proximity card reader or keypad
- Electronic lock access authorisation

Monitoring and Access Control Units



Management Software

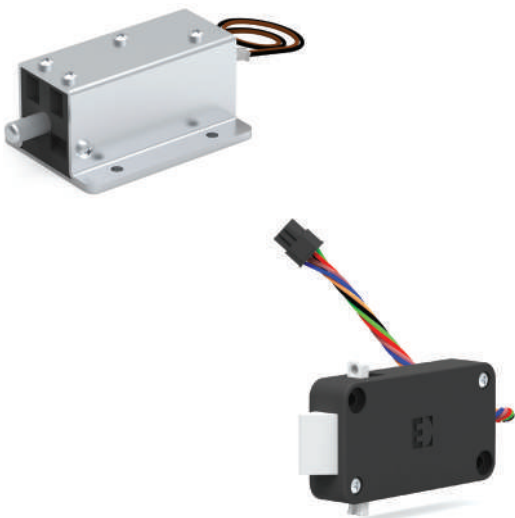
Standalone Access Interfaces



S-AIK : Access Interface Keypad
S-AIP : Access Interface Proximity

- ACU : Access Control Unit
- ACU Plus : Access Control Unit
- AIK : Access Interface Keypad
- AIP : Access Interface Proximity

Other Electromechanical Locks



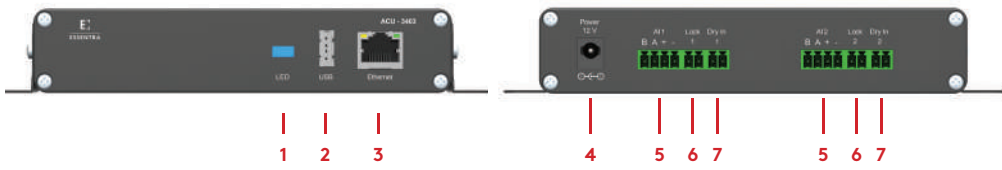
Electronic Swinghandles



▶ ELECTRONIC LOCKING SYSTEM

ACU ACCESS CONTROL UNIT

3402



- 1 ▶ LED indicator
- 2 ▶ USB 2.0
- 3 ▶ Ethernet port 10/100
- 4 ▶ Power input (12VDC 3A)
- 5 ▶ 18 x access interface inputs
- 6 ▶ 2 x lock outputs
- 7 ▶ 2 x dry contact inputs

The ACU is an intelligent device for controlling electronic locks and monitoring door status.

- Control of physical access to the rack cabinet
- Monitors and manage security conditions over IP
- User database
- Management software for monitoring and configuring the unit
- A sensor for detecting the state of the door (open/closed) can be connected
- Up to 16 AIs (3414 and 3415) can be connected to ACU.

MANAGEMENT SOFTWARE

- Configure network settings (IP address, subnet mask, default gateway, DNS, etc.) and user-administrative settings
- Add and remove users
- View and delete the logs

APPLICATIONS

Suitable for data centres, co-location centres, web hosting facilities, telecom racks or any unmanned area/site that needs to be monitored

Dry Contact Inputs

- Dry contact inputs to monitor changes in the environment
- Inputs can be used as sensor input for detecting the state of the door (open/closed)

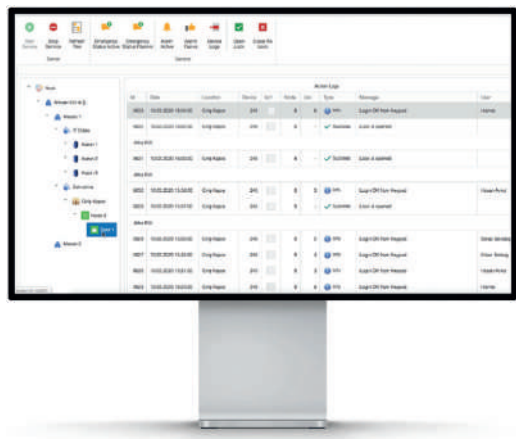
Access Interfaces

- 2 x access interface inputs allow access by entering a code number or presenting a proximity card.
- Possible to connect 3414 - AIK and 3415 - AIP devices.

Lock Outputs

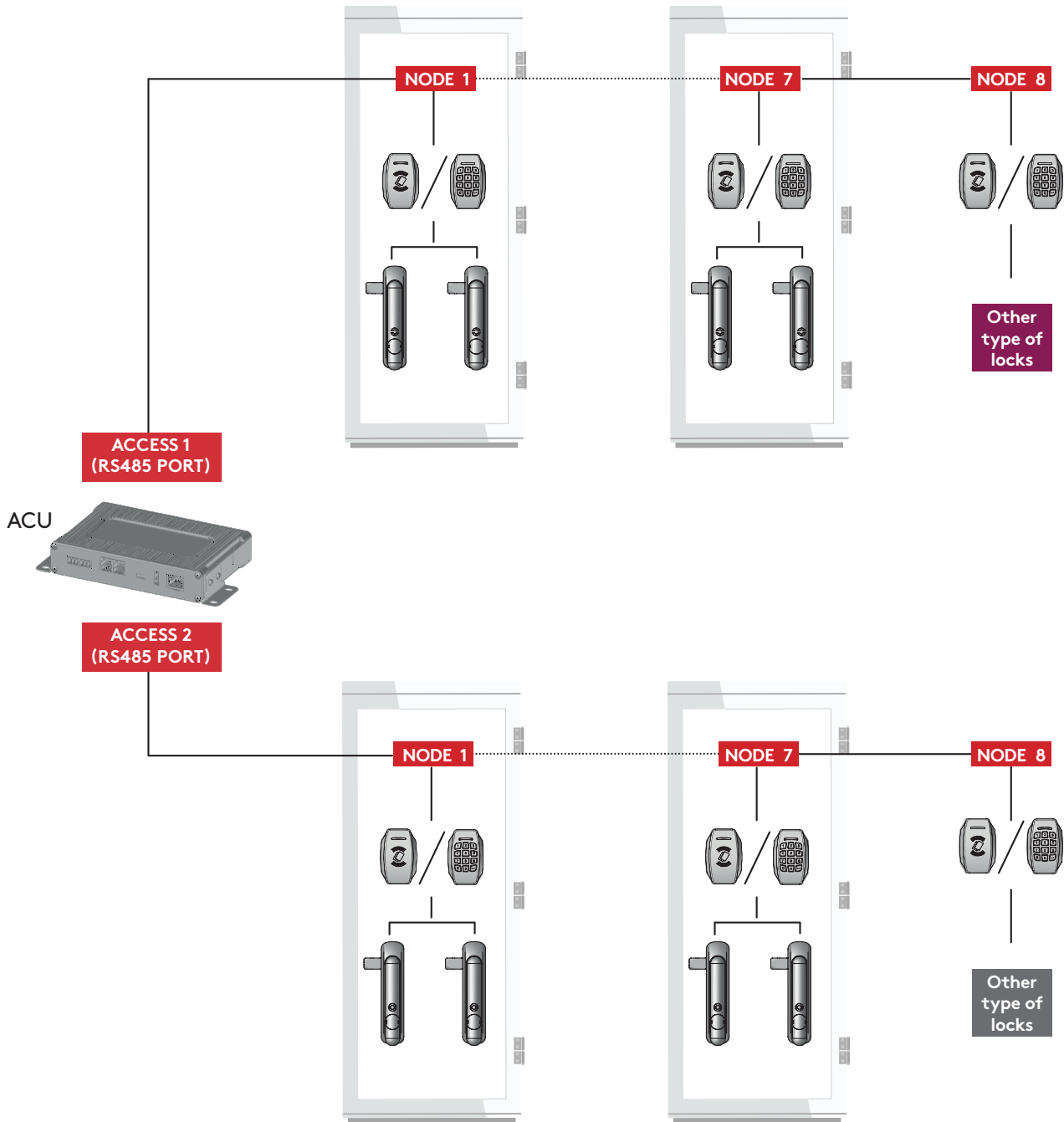
- 2 x lock outputs to control physical access to the cabinet
- Possible to connect wide range of locks.

MANAGEMENT SOFTWARE



- User friendly interface
- Support SMS and email notifications
- Monitor all door and handle status in one screen
- Control all connected swinghandle from remote
- MS SQL database
- Easy configuration with ELS Configuration Software

SYSTEM OVERVIEW



- Up to 18 access interfaces can be connected to access control unit.
- Up to 32 swinghandle can be controlled by one access control unit.
- Two access interfaces are reserved for use of different type of locks (Node 8).

ACU PLUS ACCESS CONTROL UNIT

3403



The ACU Plus is an intelligent device for monitoring environmental variations, such as temperature, humidity, smoke, presence of water or liquids, etc. and controlling electronic locks and monitoring door status.

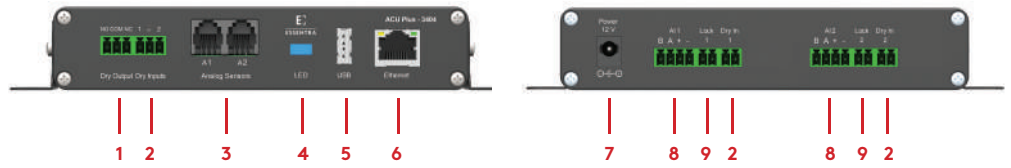
- Control of physical access to the rack cabinet
- Monitors and manage environmental and security conditions over IP
- Alerts are sent using email when any monitored environmental condition exceeds a user-specified range
- User database
- Management software for monitoring and configuring the unit
- A sensor for detecting the state of the door (open/closed) can be connected
- Up to 18 AIs (3414 and 3415) can be connected to ACU Plus.

MANAGEMENT SOFTWARE

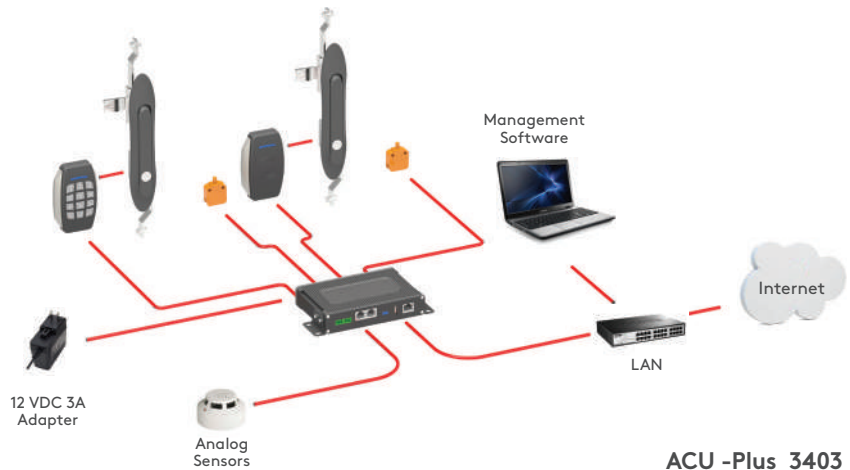
- Configure sensor thresholds, set automatic operation and alarm rules
- Monitor current sensor values and alarm status
- Configure network settings (IP address, subnet mask, default gateway, DNS, etc.) and user-administrative settings
- Add and remove users
- View and delete the logs

APPLICATIONS

Suitable for data centres, co-location centres, web hosting facilities, telecom racks or any unmanned area/site that needs to be monitored



- | | |
|-----------------------------|----------------------------------|
| 1 ▶ Dry contact output (2A) | 6 ▶ Ethernet port 10/100 |
| 2 ▶ 4 x dry contact inputs | 7 ▶ Power input (12VDC 3A) |
| 3 ▶ 2 x analog sensors | 8 ▶ 18 x access interface inputs |
| 4 ▶ LED indicator | 9 ▶ 2 x lock outputs |
| 5 ▶ USB 2.0 | |



ACU -Plus 3403
System Overview

Dry Contact Output

- Dry contact outputs to control, switch on/off external low power devices.
- Output can be used as a NO (Normally Open) or NC (Normally Closed).

Dry Contact Inputs

- Dry contact inputs to monitor changes in the environment.
- Inputs can be used as sensor input for detecting the state of the door (open/closed)

Analog Sensors

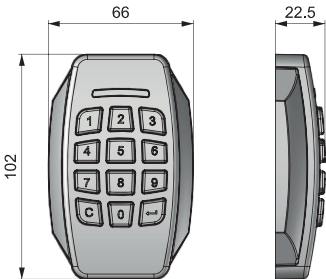
- 2 x analog sensors outputs to monitor environmental conditions.
- All types of Essentra analog sensors can be connected.

Access Interfaces

- 2 x access interface inputs allow access by entering a code number or presenting a proximity card.
- Possible to connect 3414 - AIK and 3415 - AIP devices.

Lock Outputs

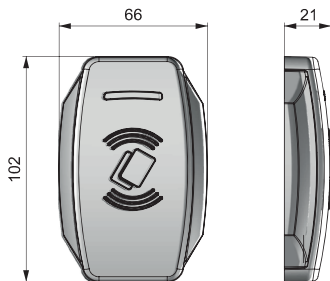
- 2 x lock outputs to control physical access to the cabinet.
- Possible to connect wide range of locks.



STATUS INDICATORS		
Signal 1		Ready
Signal 2		Error
Signal 3		Ok
Signal 3		Menu

Access interfaces are user-interface devices that allow access by entering a code number or presenting a proximity card.

Beep tones and LEDs on the AI device inform the user about the acceptance or rejection of an operation.



RFID card: 13.56Mhz MIFARE - Standard ISO14443A

Order separately
Printed: (34002639)
Unprinted: (34002640)

3416

S-AIK STANDALONE ACCESS INTERFACE KEYPAD



- Two level password (Master and User)
- Two lock outputs to control physical access to the cabinet
- Possible to connect wide range of locks including electronic swinghandles
- 12 Volt DC supply voltage
- Material: ABS Cover and Zamak5 Body
- It can control the locks separately
- Beep tones and LEDs on the AI device inform the user about the acceptance or rejection of an operation.

3417

S-AIP STANDALONE ACCESS INTERFACE PROXIMITY



- 2 levels Card (RFID tag) management system (Master and User)
- Standard ISO-14443A RFID
- Two lock outputs to control physical access to the cabinet
- Possible to connect wide range of locks including electronic swinghandles
- 12 Volt DC supply voltage
- Material: ABS Cover and Zamak5 Body
- It can control the locks separately
- Beep tones and LEDs on the AI device inform the user about the acceptance or rejection of an operation.

ELECTRONIC LOCKING SYSTEM

AIK ACCESS INTERFACE KEYPAD

3414



Access interfaces are user-interface devices that allow access by entering a code number or presenting a proximity card.

Beep tones and LEDs on the AI device inform the user about the acceptance or rejection of an operation.

AIP ACCESS INTERFACE PROXIMTY

3415

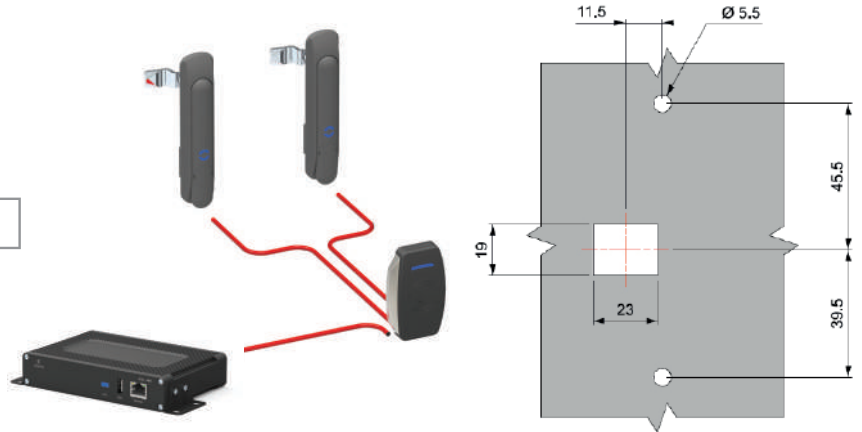


These access interfaces are used with access control units and they can control to swinghandles (ACU Plus - 3403 and ACU - 3402)

RFID card: 13.56Mhz MIFARE - Standard ISO14443A

Order separately

Printed: (34002639) / Unprinted: (34002640)



ACCESSORIES



AC-DC Power Supply
12 Volt DC 3 Amper
(34002625)

- Universal input voltage range.
- Up to 36 W continuous power.
- Interchangeable Ac blades for global use.
- Used with monitoring access control units

Note: 34002625 Europe blade included.
Please contacts Essentra for other blades.



AC-DC Power Supply
12 Volt DC 1 Amper
(34030041)

- Universal input voltage range.
- Up to 12 W continuous power.
- Used with standalone access interfaces.



RS 485 Repeater
(34030063)

- Used to connect access interfaces (AIK - 3414 and AIP - 3415) to each other.



Electronic swinghandle connection cable

CABLE LENGHT	CODE
0,4 meter	34030039
4 meter	34030006
6 meter	34030064

- Used to connect Electronic swing handles to standalone access interfaces
- The same connectors are crimped both ends of the cable.



ACU - AI connection cable
(4 meter)
(34030040)

- Used to connect access interfaces (AIK - 3414 and AIP - 3415) to monitoring and access control units.



ANALOG SENSORS

<p>Sensor is needed for measurement of temperature indoors.</p> <p>Temperature : Min. -50° C - Max.105° C / Humidity : Min. 5% - Max. 95% (Non-Condensing)</p>	<p>Temperature</p>  <p>34002631</p>
<p>Sensor is needed for measurement of temperature outdoors</p> <p>Temperature : Min. -10° C - Max.80° C / Humidity : Min. 5% - Max. 95% (Non-Condensing)</p>	<p>Outdoor Temperature</p>  <p>34002637</p>
<p>Sensor is needed for measurement of relative humidity 10-95% indoors with relative accuracy 5%.</p> <p>Temperature : Min. -10° C - Max.80° C / Humidity : Min. 5% - Max. 95% (Non-Condensing)</p>	<p>Humidity</p>  <p>34002649</p>
<p>Sensor is needed for measurement of AC 110-240V</p> <p>Temperature : Min. -10° C - Max.80° C / Humidity : Min. 5% - Max. 95% (Non-Condensing)</p>	<p>AC Voltage</p>  <p>34002638</p>
<p>At installation on doors, windows, etc., sensor controls status of door, window: opened, closed.</p> <p>Temperature : Min. -10° C - Max.80° C / Humidity : Min. 5% - Max. 95% (Non-Condensing)</p>	<p>Access Sensor</p>  <p>34002634</p>
<p>At installation on walls, windows, etc., sensor monitors vibration. Chain connection is possible.</p> <p>Temperature : Min. -10° C - Max.80° C / Temperature : Min. -10° C - Max.80° C</p>	<p>Vibration</p>  <p>34002635</p>
<p>Detector detects smoke indoors. Chain connection is possible.</p> <p>Temperature : Min. -10° C - Max.80° C / Humidity : Min. 5% - Max. 95% (Non-Condensing)</p>	<p>Smoke</p>  <p>34002632</p>
<p>Sensor is needed for control of movement over an infra-red range.</p> <p>Temperature : Min. -10° C - Max.80° C / Humidity : Min. 5% - Max. 95% (Non-Condensing)</p>	<p>Motion (PIR)</p>  <p>34002636</p>
<p>When water is in contact with the metal cores, the sensor indicates the emergence of moisture. If sensor is constantly responding to high water levels, replace the sensor with a level sensor. Attention! Metal cores are detectors of water, mount strictly downwards as close as its possible to a floor.</p> <p>Temperature : Min. -10° C - Max.80° C / Humidity : Min. 5% - Max. 95% (Non-Condensing)</p>	<p>Water Leak</p>  <p>34002633</p>
<p>When water is in contact with detection cable sensor indicates the emergence of moisture. Water detection cable 50 is ordered separately art. SC-WDC! If sensor is constantly responding to high water levels, replace it with a level sensor.</p> <p>Temperature : Min. -10° C - Max.80° C / Humidity : Min. 5% - Max. 95% (Non-Condensing)</p>	<p>Water Leak Cable</p>  <p>34002650</p>

▶ ELECTRONIC LOCKING SYSTEM

ELECTRONIC SWINGHANDLE

3101

ALL IN METAL



High security electronic products to protect your organisation's data

APPLICATIONS:

- Rack cabinets
- Server rooms
- Telecommunication
- Kiosks
- GSM network cabinets



Electrical Specifications:

- Operating Voltage: 12 VDC
- Operating Temperature: +60/-10 C
- Nominal Operating Current: Standby: 6mA
- Lock/Unlock: 75mA
- Max. Current: 400mA

PIN Connections;

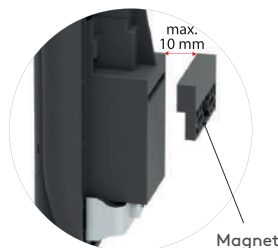
- PIN 1- GND
- PIN 2- +12V
- PIN 3- N/A
- PIN 4- Door Position Sensor
- PIN 5- Control Signal
- PIN 6- Handle Position Sensor



- All metal construction.
- Compatible with access control systems.
- Ability to work mechanically in case of power outage.
- Elegant design.
- Capable to inform door and handle status
- 12 VDC working voltage

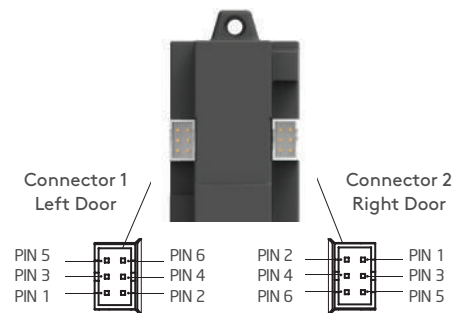
MATERIALS

- BODY: Zamak DIN-EN 1774-ZnAl4Cu1
- HANDLE: Zamak DIN-EN 1774-ZnAl4Cu1
- CAM: Steel
- SEAL: Polyurethane



Open-close position of door can be monitored. The max distance between the magnet and the lock is 10 mm.

PIN DETAILS

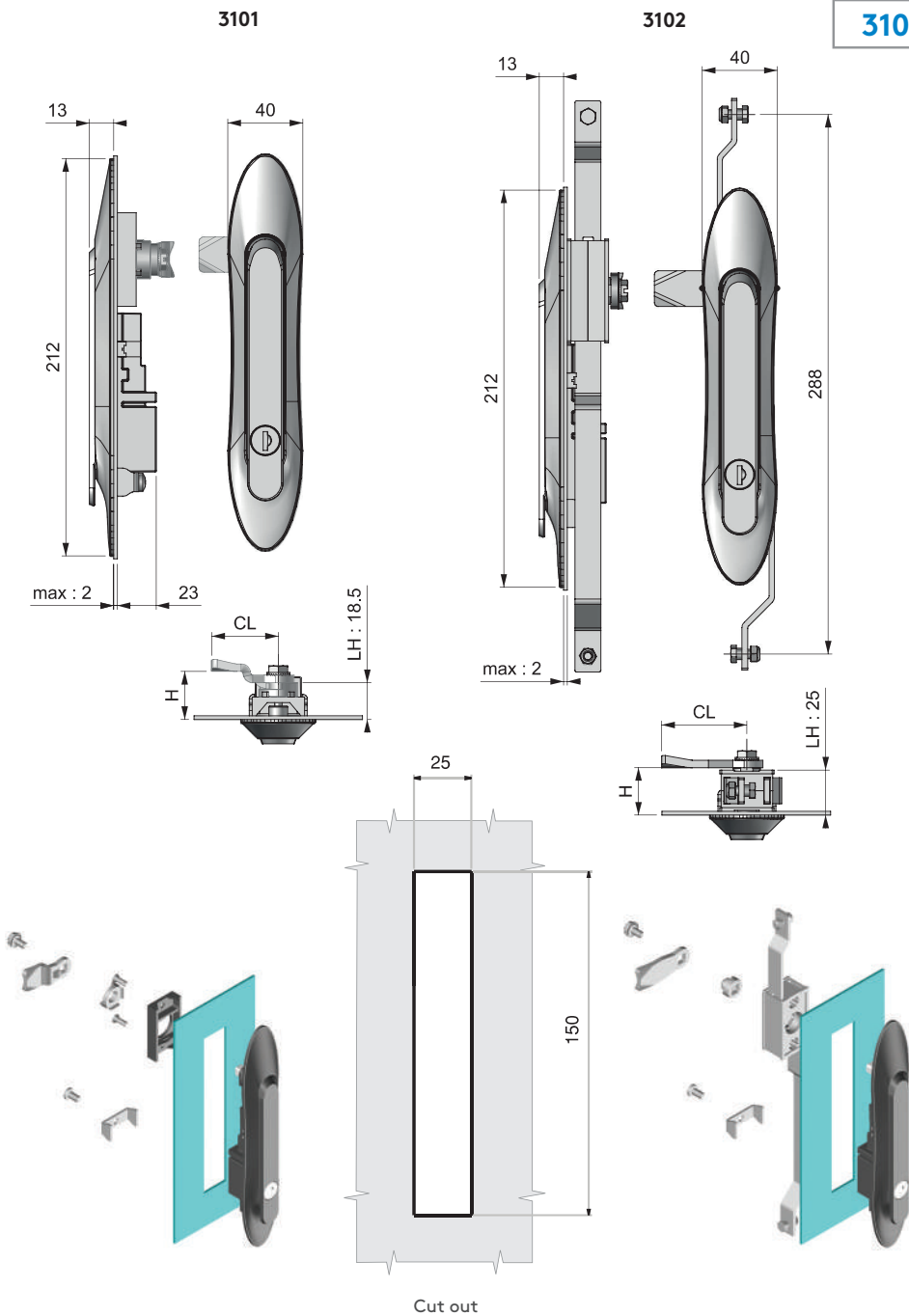


Both connectors have the same function.

Electronic swinghandle connection cable



The same connectors are crimped both ends of the cable.



3102 ELECTRONIC SWINGHANDLE

ALL IN METAL



- All metal construction.
- Compatible with access control systems.
- Ability to work mechanically in case of power outage.
- Elegant design.
- Capable to inform door and handle status
- 12 VDC working voltage

MATERIALS

BODY: Zamak DIN-EN 1774-ZnAl4Cu1
HANDLE: Zamak DIN-EN 1774-ZnAl4Cu1
CAM: Steel
SEAL: Polyurethane

SPECIFICATIONS		DD
Stainless steel dust cap (Keyed alike)		40
Stainless steel dust cap (Keyed differ)		32

Group Code	Handle	Body	Cylinder	Cam
	1 2	1 2	DD	CC



For cams and rods, please check
 ▶ Page: 170 -178

▶ ELECTRONIC LOCKING SYSTEM

ELECTRONIC SWINGHANDLE

3103



High security electronic products to protect your organisation's data

APPLICATIONS:

- Rack cabinets
- Server rooms
- Telecommunication
- Kiosks
- GSM network cabinets



- LED indicators
- Compatible with access control systems.
- Ability to work mechanically in case of power outage.
- Elegant design.
- Capable to inform door and handle status
- 12 VDC working voltage

MATERIALS

- BODY:** Polyamide DIN-EN ISO 1043-1 PA6 GFR 30
- HANDLE:** Polyamide DIN-EN ISO 1043-1 PA6 GFR 30
- CAM:** Steel

Electrical Specifications:

- Operating Voltage: 12 VDC
 Operating Temperature: +60/ -10 C
 Nominal Operating Current:
 Standby: 6mA
 Lock/Unlock: 75mA
 Max. Current: 400mA

PIN Connections;

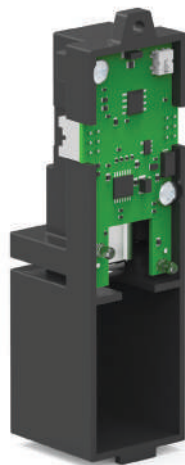
- PIN 1- GND
 PIN 2- +12V
 PIN 3- N/A
 PIN 4- Door Position Sensor
 PIN 5- Control Signal
 PIN 6- Handle Position Sensor

Lock Warning Signs

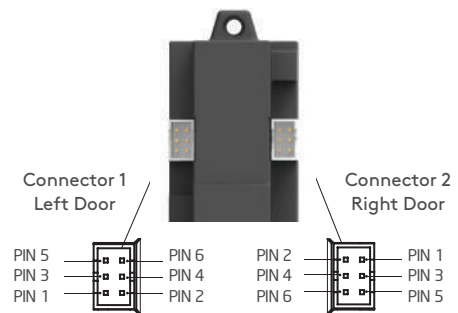
Signal 1		While opening the lock	LED 1 blinks fast.
Signal 2		While closing the lock	LED 2 blinks fast.
Signal 3		When the lock is open	Both LEDs blink fast.
Signal 4		When the handle is open	Both LEDs not lit
Signal 5		Error	Both LEDs blink slow.
Signal 6		Ready	Both LEDs are lit.



ELECTRONIC REAR COVER



PIN DETAILS

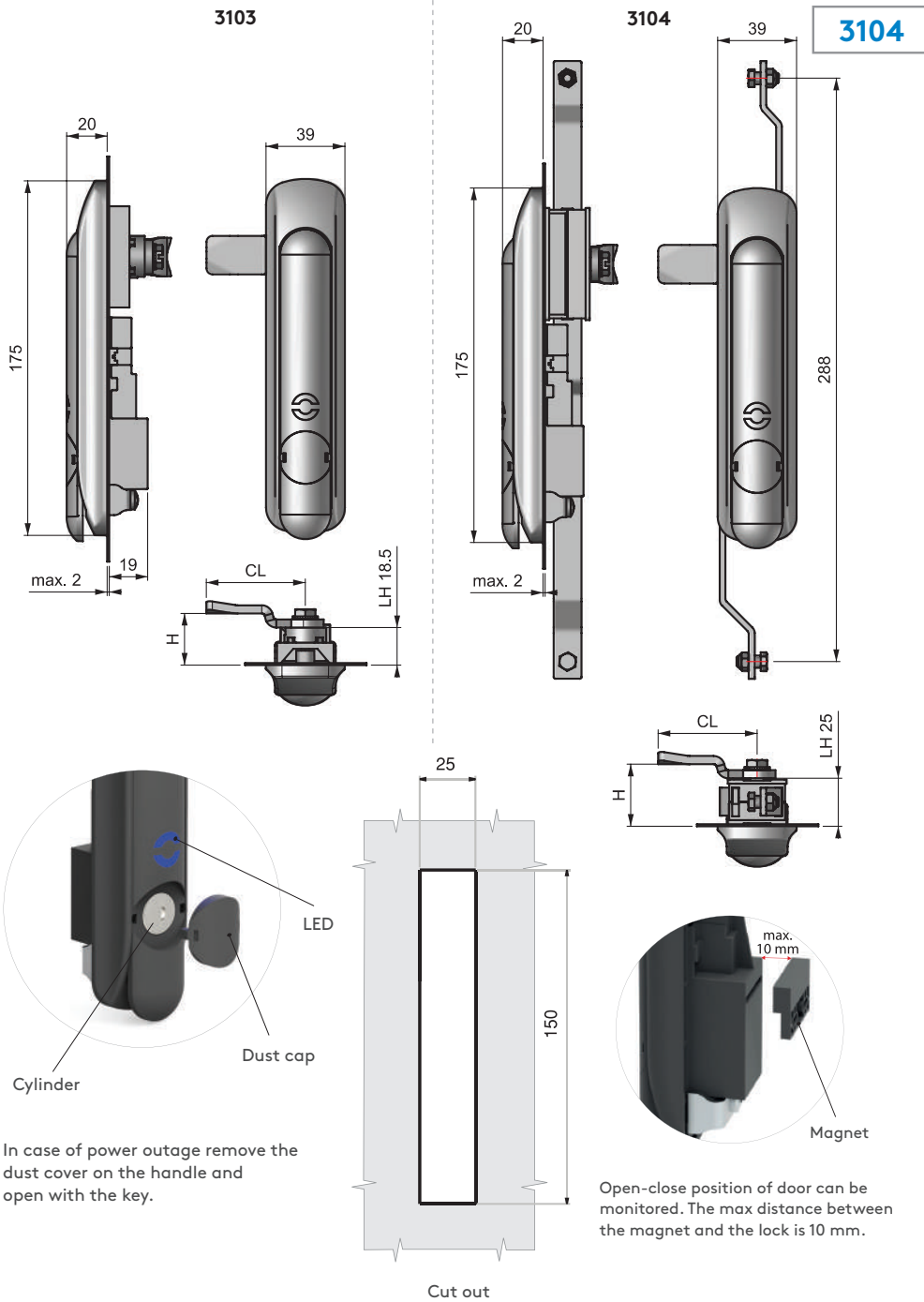


Both connectors have the same function.

Connection Cable



The same connectors are crimped both ends of the cable.



3104 ELECTRONIC SWINGHANDLE



MATERIALS
 BODY: Polyamide DIN-EN ISO 1043-1 PA6 GFR 30
 HANDLE: Polyamide DIN-EN ISO 1043-1 PA6 GFR 30
 CAM: Steel

In case of power outage remove the dust cover on the handle and open with the key.

Open-close position of door can be monitored. The max distance between the magnet and the lock is 10 mm.

SPECIFICATIONS					DD
Stainless steel dust cap (Keyed alike)					40
Stainless steel dust cap (Keyed differ)					32

Group Code	Handle	Body	Cylinder	Cam
	2	0	2	0
			DD	CC



For cams and rods, please check
 ▶ Page: 170 -178

ELECTRONIC LOCKING SYSTEM

ELECTRONIC SWINGHANDLE

3111



High security electronic products to protect your organisation's data

APPLICATIONS:

- Rack cabinets
- Server rooms
- Telecommunication
- Kiosks
- GSM network cabinets



Electrical Specifications:

Operating Voltage: 12 VDC
 Operating Temperature: +60/-10 C
 Nominal Operating Current:
 Standby: 6mA
 Lock/Unlock: 75mA
 Max. Current: 400mA

PIN Connections;

- PIN 1- GND
- PIN 2- +12V
- PIN 3- N/A
- PIN 4- Door Position Sensor
- PIN 5- Control Signal
- PIN 6- Handle Position Sensor

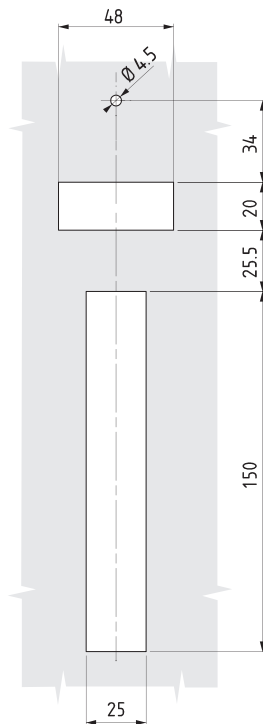
Lock Warning Signs

Signal	Icon	Description	LED Status
Signal 1		While opening the lock	LED 1 blinks fast.
Signal 2		While closing the lock	LED 2 blinks fast.
Signal 3		When the lock is open	Both LEDs blink fast.
Signal 4		When the handle is open	Both LEDs not lit
Signal 5		Error	Both LEDs blink slow.
Signal 6		Ready	Both LEDs are lit.

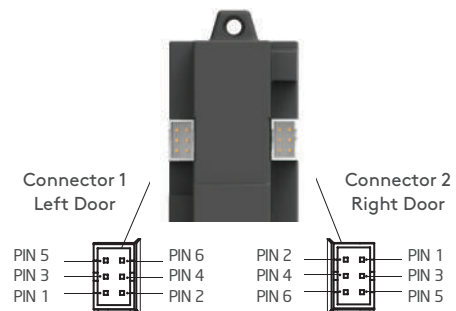
- Integrated RFID reader.
- Ability to work mechanically in case of power outage
- Capable to inform door and handle status
- LED indicators both on lock and reader
- Supports RS 485 protocol for other protocols please contact to Essentra
- Can be control a swinghandle (3101,3102,3103 and 3104) other than itself
- 12 VDC working voltage
- LED indicators

MATERIALS

- BODY: Polyamide DIN-EN ISO 1043-1 PA6 GFR 30
- HANDLE: Polyamide DIN-EN ISO 1043-1 PA6 GFR 30
- CAM: Steel



PIN DETAILS



Both connectors have the same function.

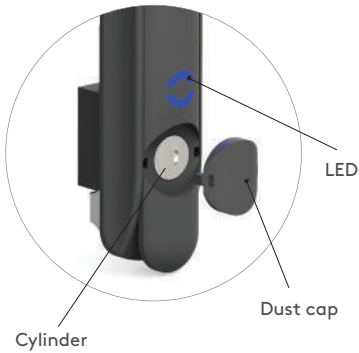
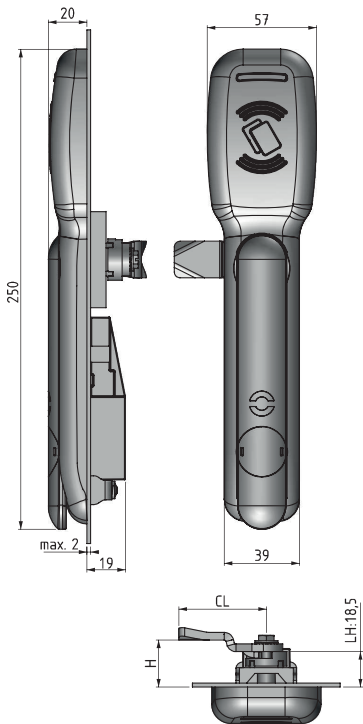
Connection Cable



The same connectors are crimped both ends of the cable.

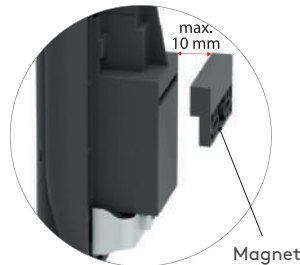
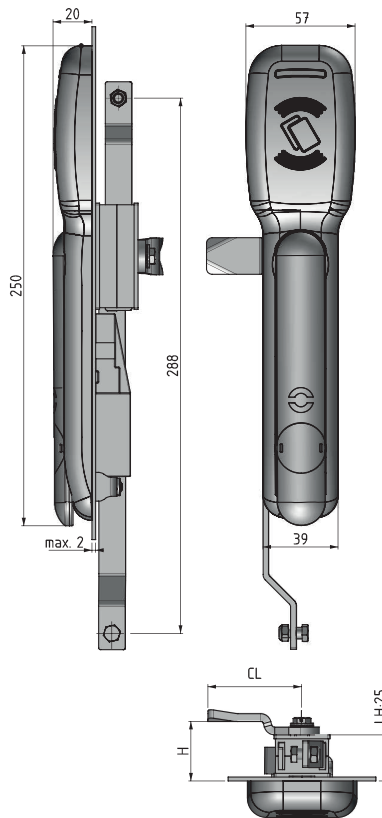


3111



In case of power outage remove the dust cover on the handle and open with the key.

3112



Open-close position of door can be monitored. The max distance between the magnet and the lock is 10 mm.

3112

ELECTRONIC SWINGHANDLE



MATERIALS

- BODY: Polyamide DIN-EN ISO 1043-1 PA6 GFR 30
- HANDLE: Polyamide DIN-EN ISO 1043-1 PA6 GFR 30
- MECHANISM: Zamak DIN-EN 1774-ZnAl4Cu1
- CAM: Steel

SPECIFICATIONS					DD
Stainless steel dust cap (Keyed alike)					40
Stainless steel dust cap (Keyed differ)					32

Group Code	Handle	Body	Cylinder	Cam
	2 0	2 0	DD	CC



For cams and rods, please check
► Page: 170 -178

▶ ELECTRONIC LOCKING SYSTEM

ELECTRONIC SWINGHANDLE

3105



High security electronic products to protect your organisation's data

APPLICATIONS:

- Outdoor cabinets
- Telecommunication
- Kiosks
- ATMs
- Electrical enclosures

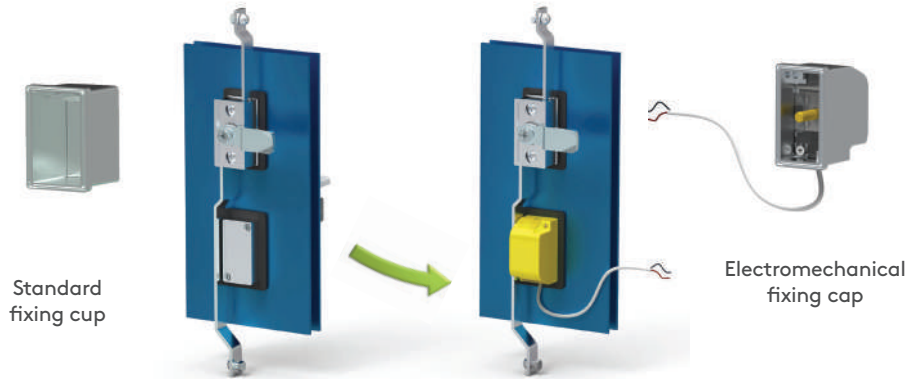
- Compatible with access control systems.
- All metal construction
- Special geometry provides anti-vandalism safety
- Improved corrosion resistance
- Suitable to DIN V ENV 1630: 1999-04/WK2 test
- Double o-ring used for handle provides improved IP rating
- High-security cylinder alternative
- Better IP rating with moving dust cap

MATERIALS

BODY: Zamak DIN-EN 1774-ZnAl4Cu1
 GASKET: Polyurethane
 COVER: Zamak DIN-EN 1774-ZnAl4Cu1

Standard Application

Electromechanical Application



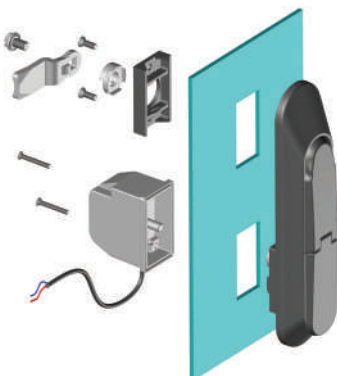
Simply changing the cover assembly is enough to switch from standard to electromechanical application

Lock operating principle

Electronical and mechanical

Technical specifications:

- Voltage: 48 VDC
- Current 500 mA
- High temperature resistance: 150 °C



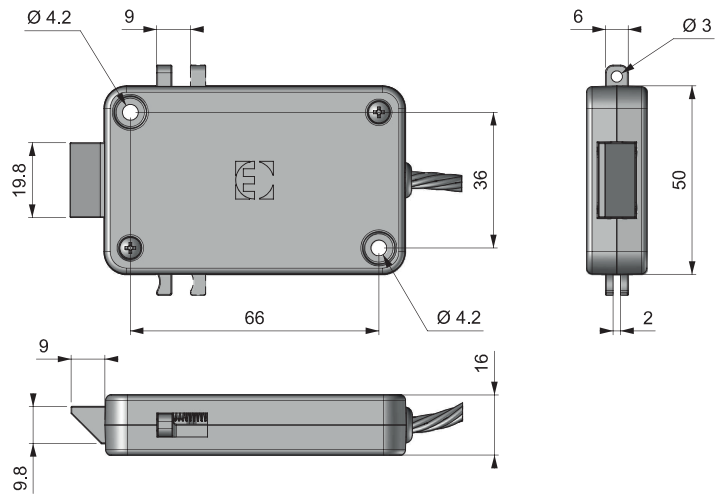
Electronic access options, remote control, card reader, etc., activate the lock. It is then ready to be opened by the mechanical key

⚠ **Note:** Remote control should be ordered separately

▶ ELECTRONIC LOCKING SYSTEM

ELECTRONIC KEEPER

3341



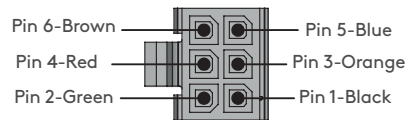
- Push to Close
- 12 Volt DC supply voltage
- Two different mechanical override option
- Auto locking
- Internal microswitch
- Microprocessor controlled gear motor
- Compatible with access control systems

MATERIALS

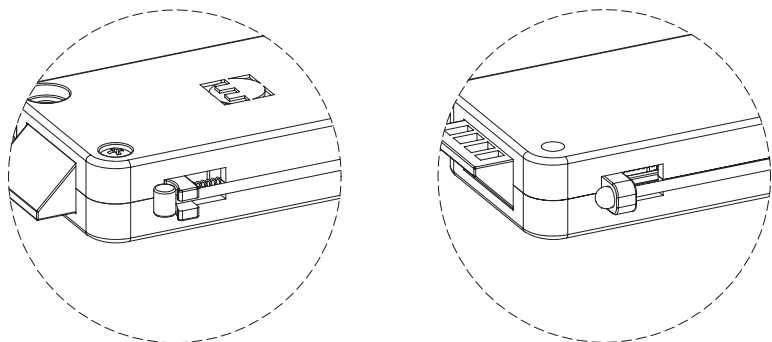
BODY: Plastic
CAM: Zamak 5

TECHNICAL SPECIFICATIONS

Cable Length : 180 mm
Operating Voltage : 12 Volt
Current : Max. 500 mA
Stroke : 9 mm



Pins	Colours	
Pin 1	Black	GND
Pin 2	Green	12 Volt DC
Pin 3	Orange	Signal
Pin 4	Red	Microswitch COM
Pin 5	Blue	Microswitch NO
Pin 6	Brown	N/A

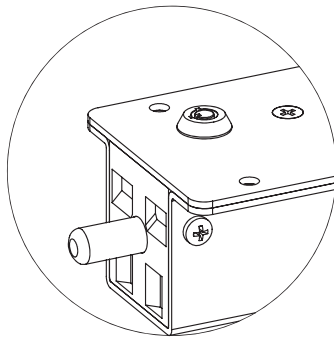
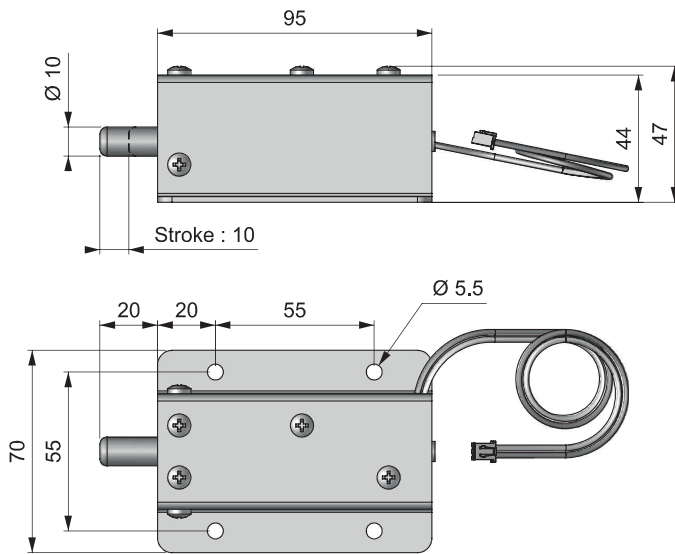


Two different mechanical override option

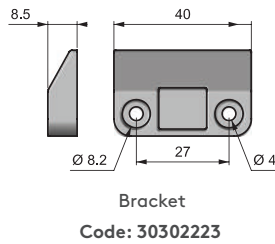


3311

SOLENOID LOCK



Mechanical override with high security cylinder



- Compatible with access control systems
- Push to close with a special bracket
- Mechanical override option
- Auto locking
- DC type solenoid
- Solenoid has no polarity
- Resistance of solenoid varies with the applied voltage,
- The solenoid becomes hot (around 80 °C) when continuously energized, precautions should be taken to prevent burns

MATERIALS

BODY: Steel
PLUNGER: Steel
BRACKET: Delrin

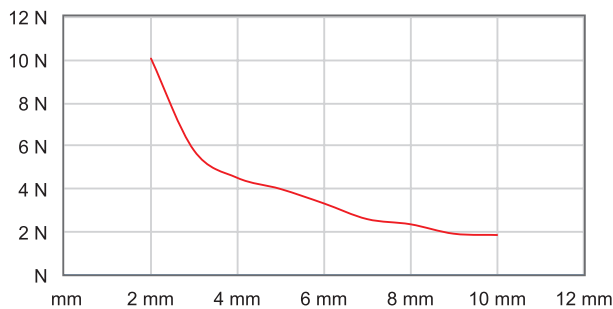
TECHNICAL SPECIFICATIONS

Operating Voltage : 24 V DC
Current Consumption : 550 mA
Power Consumption : 13,2 W
Operating Temperature Range : - 5 °C / + 40 °C
Cable Length : 30 cm
Stroke : 10 mm

Please Contact Essentra

- * For AC type of solenoids
- * For different voltages
- * For different strokes

3311 Solenoid Lock



Force - Stroke Graph In Horizontal Installation

Group Code	Version
3311	V

VERSION	V
Without Mechanical Override	1
With Mechanical Override	2

▶ ELECTRONIC LOCKING SYSTEM

ELECTRONIC CABINET LOCK

3204

 Keypad



Electronic solutions for improving security

APPLICATIONS:

Various cabinets or lockers in sauna area, spa, gym, office, school, etc.



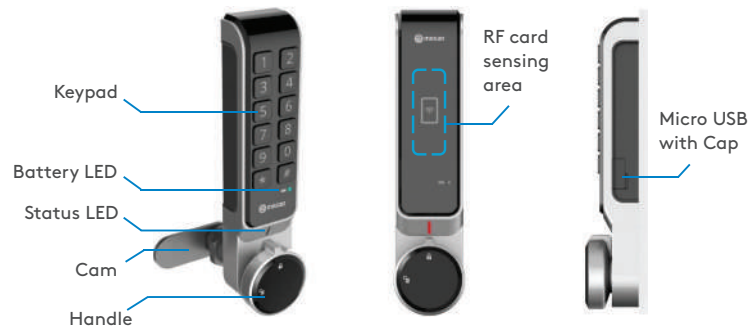
Technical specifications

- Operating voltage: 3x1.5 V = 4.5 V
- Battery: 3xAAA Alkali battery
- Battery life: Approx. 1.5 year (daily 10 use)
- Password combination: 4-12 digit
- Operating temperature range: -20°C ~ +70°C
- Operating humidity range: 0 ~ 90 % RH

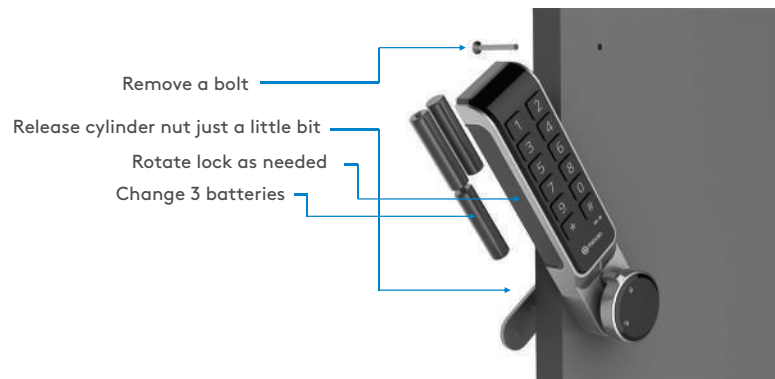
- Ability to open with a password without card and key
- Elegant design suitable for office environments
- Multi-user support
- Micro USB emergency power-supply
- Low battery level indicator
- For general or specialised use
- Easy installation
- Easy to use
- High-security
- Burglar alarm
- Melody yes/no adjustment
- Stylish visual-warning LEDs

MATERIALS

BODY: Aluminium
HANDLE: Aluminium
PANEL: Plastic
CAM: Steel



Change Batteries



Note:

Instructions for use, installation dimensions, etc. More information is available in the instruction book with the lock.

RFID Card Reader

3205

ELECTRONIC CABINET LOCK

Electronic solutions for improving security

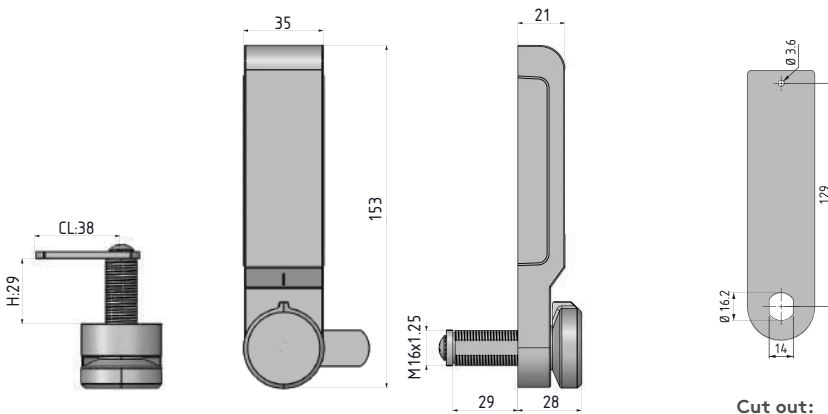
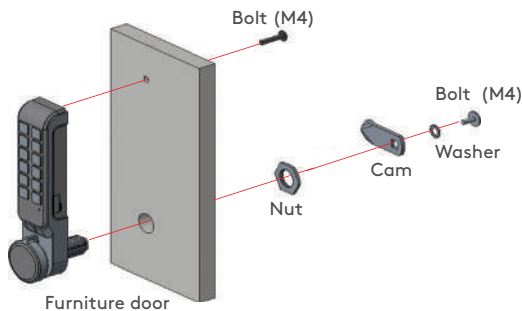
APPLICATIONS:

Various cabinets or lockers in sauna area, spa, gym, office, school, etc. .



Technical specifications

- Operating voltage: 3x1.5 V = 4.5 V
- Battery: 3xAAA Alkali battery
- Battery life: Approx. 1.5 year (daily 10 use)
- Card type: RFID 13.56Mhz MIFARE - Standard ISO14443A
- Operating temperature range: -20°C ~ +70°C
- Operating humidity range: 0 ~ 90 % RH



RFID Card
13.56Mhz MIFARE - Standard ISO14443A



Order separately
Printed: (340.0.2639)
Unprinted: (340.0.2640)






- Ability to open with a RFID card without key
- Elegant design suitable for office environments
- Multi-user support
- Micro USB emergency power-supply
- Low battery level indicator
- For general or specialised use
- Easy installation
- Easy to use
- High-security
- Burglar alarm
- Melody yes/ no adjustment
- Stylish visual-warning LEDs

MATERIALS

BODY: Aluminium
HANDLE: Aluminium
PANEL: Plastic
CAM: Steel

⚠ These cams are shipping with product.

⚠ For another cam options you can order separately from table.

CAM	ITEM CODE	CH	CL	CAM	ITEM CODE	CH	CL
	30405782	0	38		31403011	0	33
	30405781	5	37		30403157	3	48
					30403125	7	40

▶ ELECTRONIC LOCKING SYSTEM

ELECTRONIC CABINET LOCK

3211

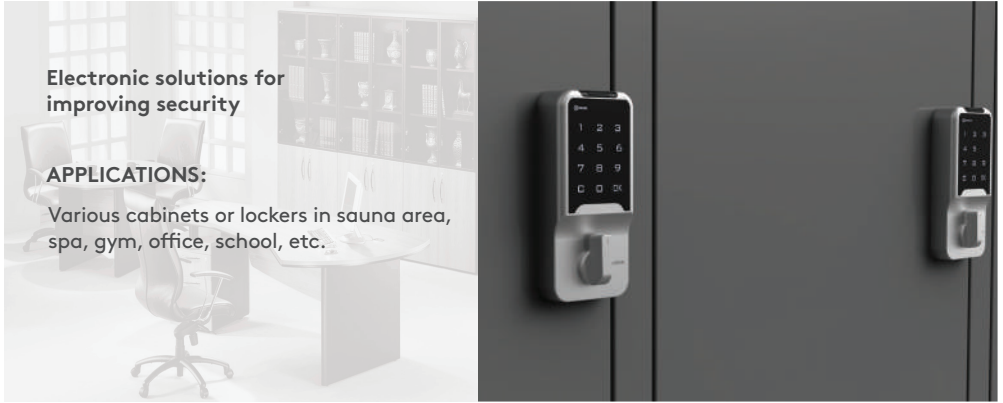
 Touch Panel



Electronic solutions for improving security

APPLICATIONS:

Various cabinets or lockers in sauna area, spa, gym, office, school, etc.



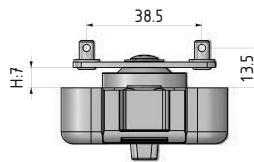
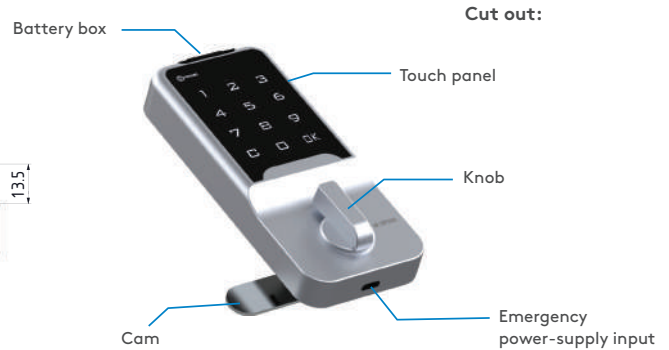
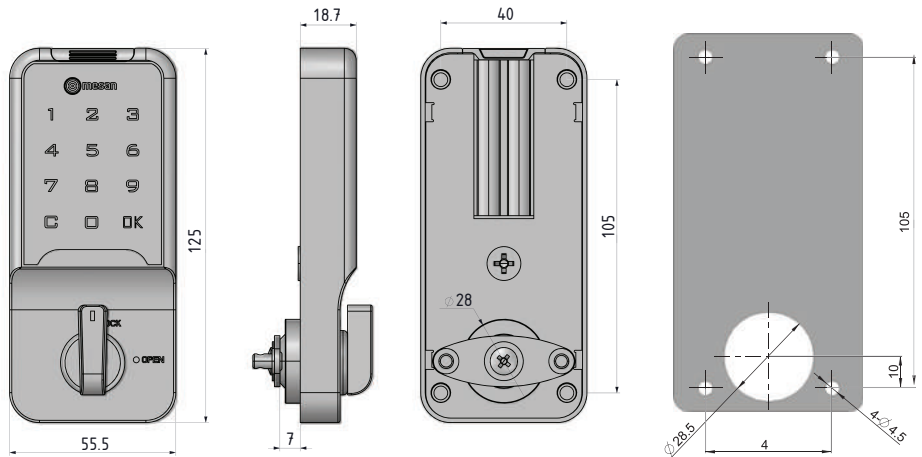
Technical specifications

- Ability to open with a password without card and key
- Elegant design suitable for office environments
- When the password has been forgotten, it is possible to remote control and USB-Key for solving the password
- Micro USB emergency power-supply
- Low battery level indicator
- For general or specialised use
- Auto-alarm will be activated when input wrong password 4 times and the lock will be died for 60 seconds.
- You can create the fake pin password against thievery
- Easy installation
- Easy to use
- High-security
- Melody yes/ no adjustment
- Stylish visual-warning LEDs

- Operating voltage: 2x1.5 V = 3 V
- Battery: 2xAAA Alkali battery
- Battery life: Approx. 1.5 year (daily 10 use)
- Password combination: 1-15 digit
- Operating temperature range: -20°C ~ +70°C
- Operating humidity range: 0 ~ 90 % RH


MATERIALS

BODY: Aluminium
HANDLE: Aluminium
CAM: Steel







Note:

Instructions for use, installation dimensions, etc. More information is available in the instruction book with the lock.

 For another cam options you can v from table.

 Product will be shipped with **Espagnolette cam** appears in technical drawing.

CAM	ITEM CODE	CH	CL
	30403124	0	43
	31403011	0	33
	30403157	3	48
	30403125	7	40

Touch Panel

3212

ELECTRONIC CABINET LOCK

Electronic solutions for improving security

APPLICATIONS:

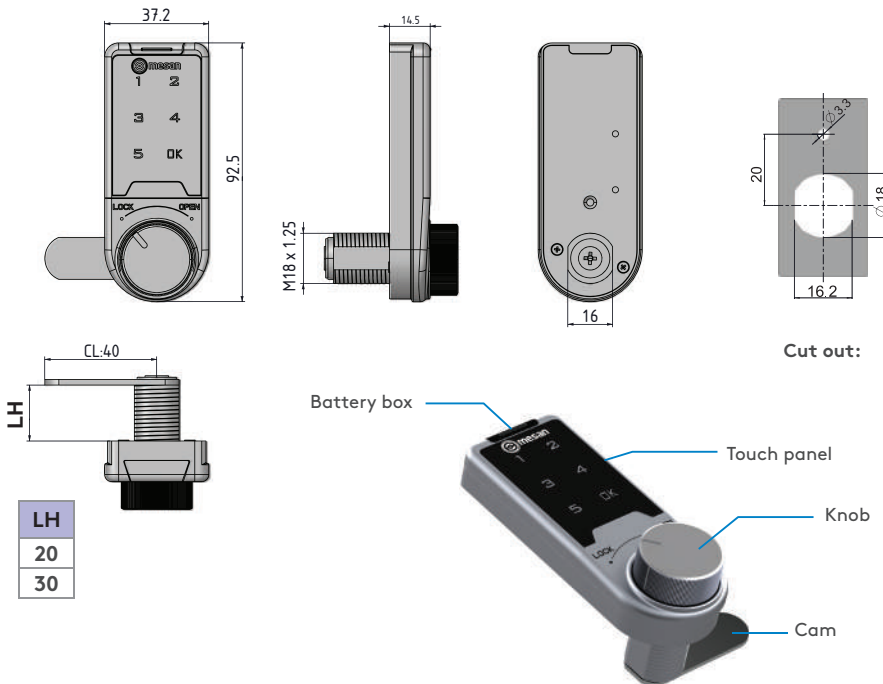
Various cabinets or lockers in sauna area, spa, gym, office, school, etc. .



Technical specifications

- Operating voltage: 3 V
- Battery: Cr2032 battery
- Battery life: Approx. 1.5 year (daily 10 use)
- Password combination: 1-15 digit
- Operating temperature range: -20°C ~ +70°C
- Operating humidity range: 0 ~ 90 % RH

- Ability to open with a password without card and key
- Elegant design suitable for office environments
- When the password has been forgotten, it is possible to remote control and USB-Key for solving the password
- Micro USB emergency power-supply
- Low battery level indicator
- For general or specialised use
- Auto-alarm will be activated when input wrong password 4 times and the lock will be died for 60 seconds.
- You can create the fake pin password against thievery
- Easy installation
- Easy to use
- High-security
- Melody yes/ no adjustment
- Stylish visual-warning LEDs



MATERIALS

- BODY: Aluminium
- HANDLE: Aluminium
- CAM: Steel

Note:

Instructions for use, installation dimensions, etc. More information is available in the instruction book with the lock.

⚠ This cam are shipping with product.

⚠ For another cam options you can order separately from table.

CAM	ITEM CODE	CH	CL
	30403877	0	40

CAM	ITEM CODE	CH	CL
	31403011	0	33
	30403157	3	48
	30403125	7	40

Group Code	Housing Length
3212	LH

▶ ELECTRONIC LOCKING SYSTEM

ELECTRONIC CABINET LOCK

3213

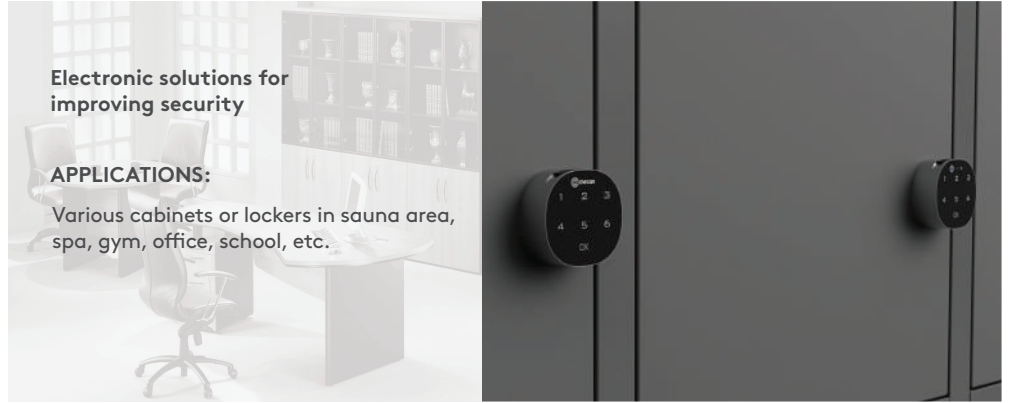
 Touch Panel



Electronic solutions for improving security

APPLICATIONS:

Various cabinets or lockers in sauna area, spa, gym, office, school, etc.



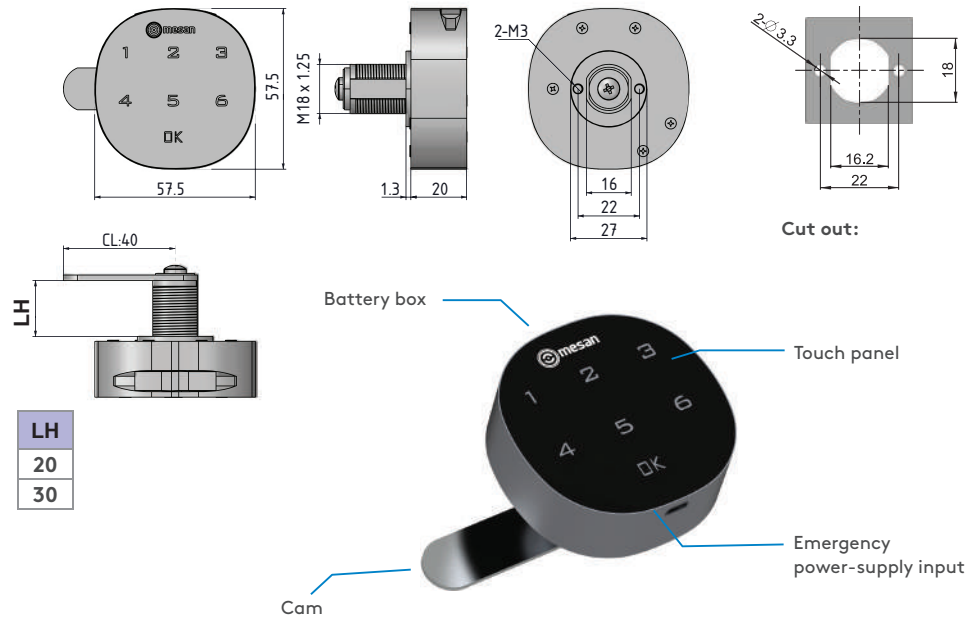
- Ability to open with a password without card and key
- Elegant design suitable for office environments
- When the password has been forgotten, it is possible to remote control and USB-Key for solving the password
- Micro USB emergency power-supply
- Low battery level indicator
- For general or specialised use
- Auto-alarm will be activated when input wrong password 4 times and the lock will be died for 60 seconds.
- You can create the fake pin password against thievery
- Easy installation
- Easy to use
- High-security
- Melody yes / no adjustment
- Stylish visual-warning LEDs

Technical specifications

- Operating voltage: 3 V
- Battery: Cr2032 battery
- Battery life: Approx. 1.5 year (daily 10 use)
- Password combination: 1-15 digit
- Operating temperature range: -20°C ~ +70°C
- Operating humidity range: 0 ~ 90 % RH

MATERIALS

BODY: Aluminium
CAM: Steel

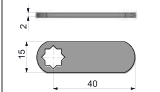


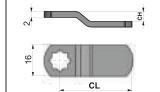
Note:

Instructions for use, installation dimensions, etc. More information is available in the instruction book with the lock.

 This cam are shipping with product.

 For another cam options you can order separately from table.

CAM	ITEM CODE	CH	CL
	30403877	0	40

CAM	ITEM CODE	CH	CL
	31403011	0	33
	30403157	3	48
	30403125	7	40

Group Code	Housing Length
3213	LH

Touch Panel

3214

ELECTRONIC CABINET LOCK

Electronic solutions for improving security

APPLICATIONS:

Various cabinets or lockers in sauna area, spa, gym, office, school, etc. .



Technical specifications

- Operating voltage: 3x1.5 V = 4.5 V
- Battery: 3xAAA Alkali battery
- Battery life: Approx. 1.5 year (daily 10 use)
- Password combination: 1-15 digit
- Operating temperature range: -20°C ~ +70°C
- Operating humidity range: 0 ~ 90 % RH

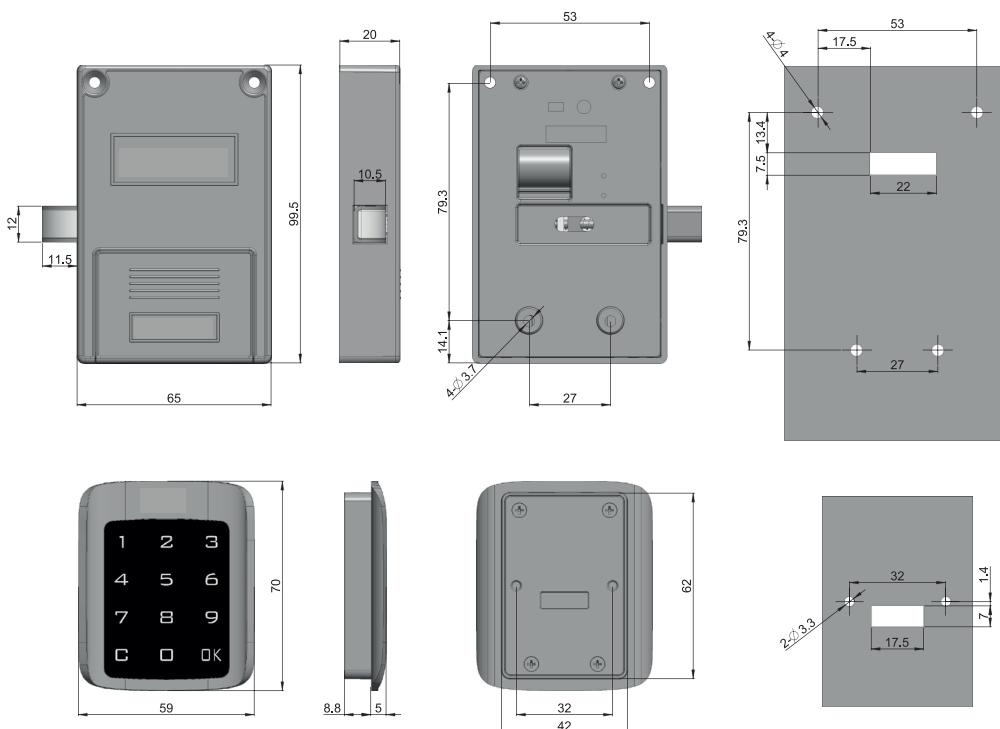
- Ability to open with a password without card and key
- Elegant design suitable for office environments
- When the password has been forgotten, it is possible to remote control and USB-Key for solving the password
- Micro USB emergency power-supply
- Low battery level indicator
- For general or specialised use
- Auto-alarm will be activated when input wrong password 4 times and the lock will be died for 60 seconds.
- You can create the fake pin password against thievery
- Easy installation
- Easy to use
- High-security
- Melody yes/ no adjustment
- Stylish visual-warning LEDs

MATERIALS

BODY: Plastic
CAM: Steel

Note:

Instructions for use, installation dimensions, etc. More information is available in the instruction book with the lock.



▶ ELECTRONIC LOCKING SYSTEM

ELECTRONIC CABINET LOCK

3202



Vertical



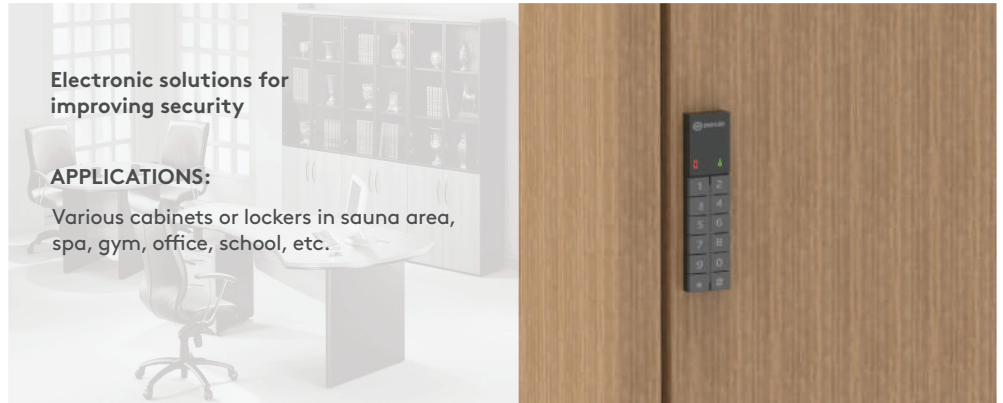
Horizontal



Electronic solutions for improving security

APPLICATIONS:

Various cabinets or lockers in sauna area, spa, gym, office, school, etc.



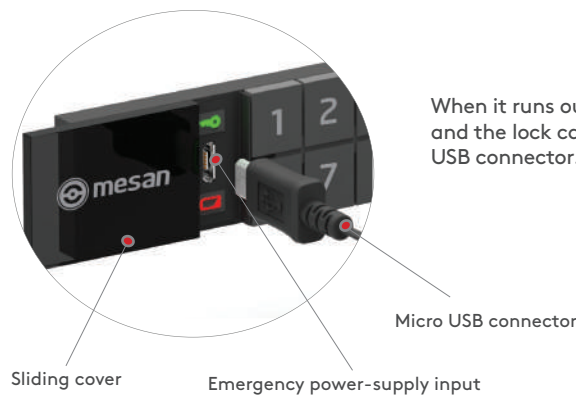
Technical specifications

- Operating voltage: 3x1.5 V = 4.5 V
- Battery: 3xAA Alkali battery
- Battery life: Approx. 1.5 year (daily 10 use)
- Password combination: 4-12 digit
- Operating temperature range: -15 ~ 55°C
- Operating humidity range: 0 ~ 90 % RH

- Ability to open with a password without card and key
- Elegant design suitable for office environments
- Multi-user support
- Micro USB emergency power-supply input behind sliding cover
- Low battery level indicator
- For general or specialised use
- Easy installation
- Easy to use
- High-security
- Burglar alarm
- Melody yes/no adjustment
- Stylish visual-warning LEDs

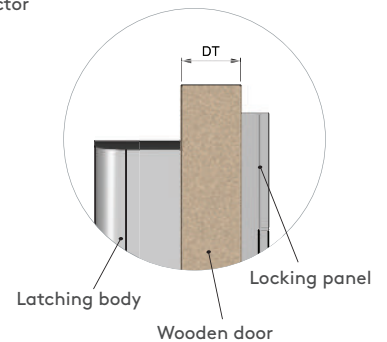
MATERIALS

- BODY: Plastic
- LATCHING BODY: Plastic
- GASKET: Rubber
- CAM: Steel

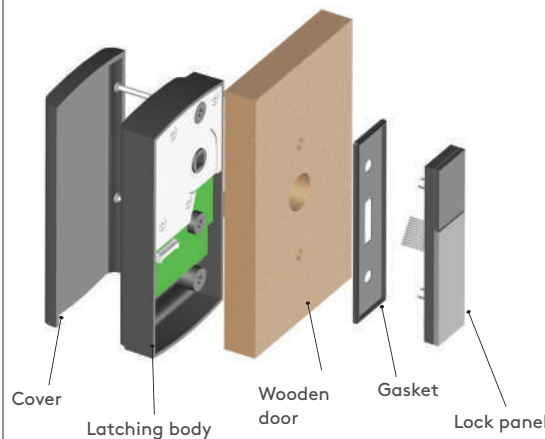


When it runs out of batteries, slide the cover and the lock can be opened with the Micro USB connector.

Sliding cover Emergency power-supply input



Latching body Locking panel
Wooden door



Cover Latching body Wooden door Gasket Lock panel

DT - DOOR THICKNESS

Min	Max
11mm	27mm

For different door thicknesses please contact Essentra.

Note:

Instructions for use, installation dimensions, etc. More information is available in the instruction book with the lock.

RFID Card Reader

3203

ELECTRONIC CABINET LOCK

Electronic solutions for improving security

APPLICATIONS:

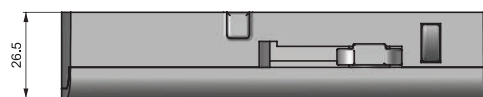
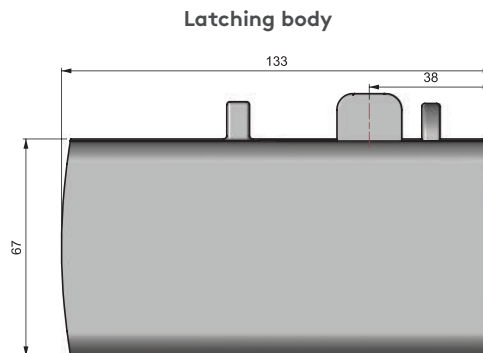
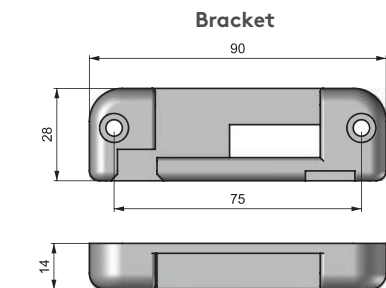
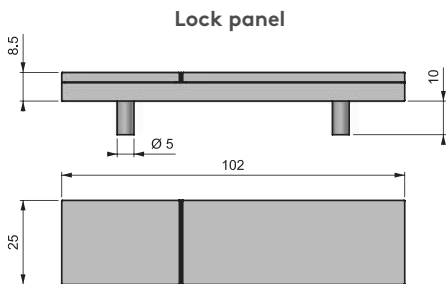
Various cabinets or lockers in sauna area, spa, gym, office, school, etc. .



Technical specifications

- Operating voltage: 3x1.5 V = 4.5 V
- Battery: 3xAA Alkali battery
- Battery life: Approx. 1.5 year (daily 10 use)
- Card type: RFID 13.56Mhz MIFARE - Standard ISO14443A
- Operating temperature range: -15 ~ 55°C
- Operating humidity range: 0 ~ 90 % RH

External dimensions



Note:

Instructions for use, installation dimensions, etc. More information is available in the instruction book with the lock.

Vertical



Horizontal



RFID Card

13.56Mhz MIFARE - Standard ISO14443A



Order separately

Printed: (340.0.2639)

Unprinted: (340.0.2640)

- Ability to open with a RFID card without key
- Elegant design suitable for office environments
- Multi-user support
- Micro USB emergency power supply input behind sliding cover
- Low-battery level indicator
- For general or specialised use
- Easy installation
- Easy to use
- High security
- Burglar alarm
- Melody yes/no adjustment
- Stylish visual-warning LEDs

MATERIALS

BODY: Plastic
 LOCK PANEL: Plastic
 GASKET: Rubber
 CAM: Steel

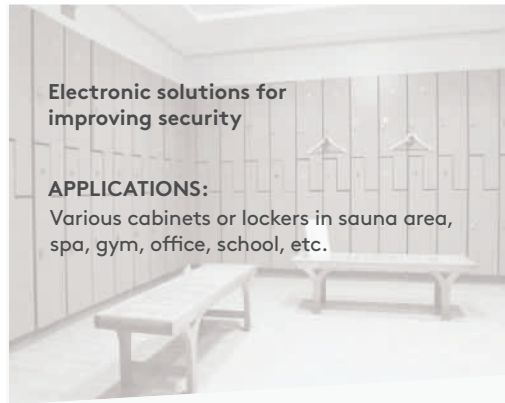
Group Code	Position
	P

POSITION	P
Horizontal	1
Vertical	2

▶ ELECTRONIC LOCKING SYSTEM

ELECTRONIC CABINET LOCK

3201



Electronic solutions for improving security

APPLICATIONS:

Various cabinets or lockers in sauna area, spa, gym, office, school, etc.



- Input password to open door; no need for card or key
- Two types:
 - Public with temporary password
 - Private with permanent password
- Two management levels: master code and user code
- Low power alarm: the lock will indicate when the battery has insufficient power
- Emergency open: external power supply can be used via a socket in the lock if sufficient battery power is not available

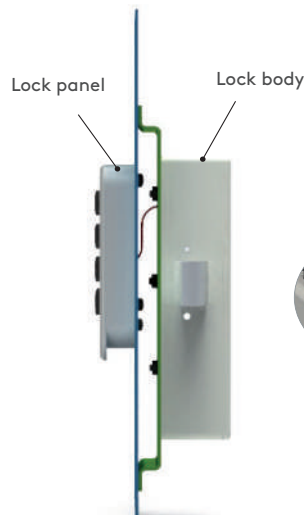
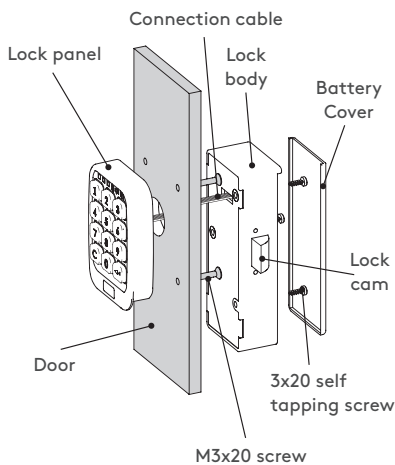
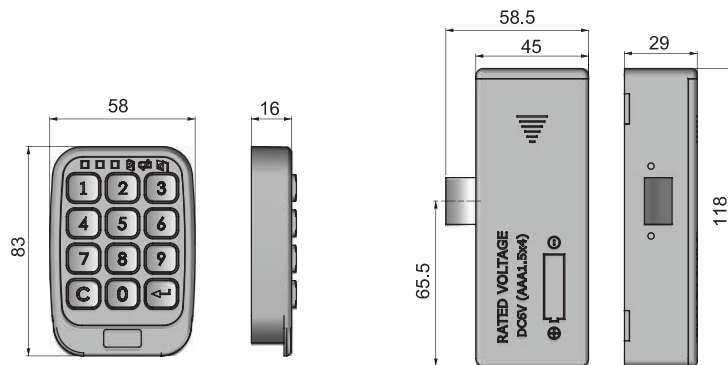
Technical specifications

Password digital: $\geq 4, \leq 10$
 Power source: 4 pcs AAA alkaline batteries
 Static current: $<10\mu\text{A}$
 Dynamic current: $<220\text{mA}$
 Alarm power: $<4.7\text{V}$
 Memory capacity: 4160 Bit

Work temperature: $-25^{\circ}\text{C} \sim 65^{\circ}\text{C}$
 Store temperature: $-25^{\circ}\text{C} \sim 85^{\circ}\text{C}$
 Store time: >10 years
 Change: 1,000,000 times
 Work humidity: 5 ~ 95 % RH
 (No condensation)

MATERIALS

LOCK PANEL: Zamak
 KEYS: Plastic
 LOCK BODY: Plastic
 CAM: Zamak



Note:

Instructions for use, installation dimensions, etc. More information is available in the instruction book with the lock.



External power socket



External power supply
product code:
340.0.2643
(Order separately)

Electronic solutions for improving security

APPLICATIONS:

- Coolers
- Fridges
- Electric panels
- Cabinets



Technical specifications

Main board

- Input voltage: 12V - 18V AC
- Output current: 650 mA x2
- RF frequency: 433.92 MHz
- Working temperature range: -25 °C ~ +70 °C
- Control: Microprocessor
- Cable length: 70 cm
- Alert type: Buzzer
- Identification: Master remote control
- Locking security: Watchdog

Remote control:

- RF Frequency: 433.92 MHz
- Keys: 2 (Open/Close)
- Battery: 27A
- Control distance: 50 m (ideal conditions)

Master remote control

- RF Frequency: 433.92 MHz
- Keys: 2 (Same function)
- Battery: 27A
- Function: New remote control identification

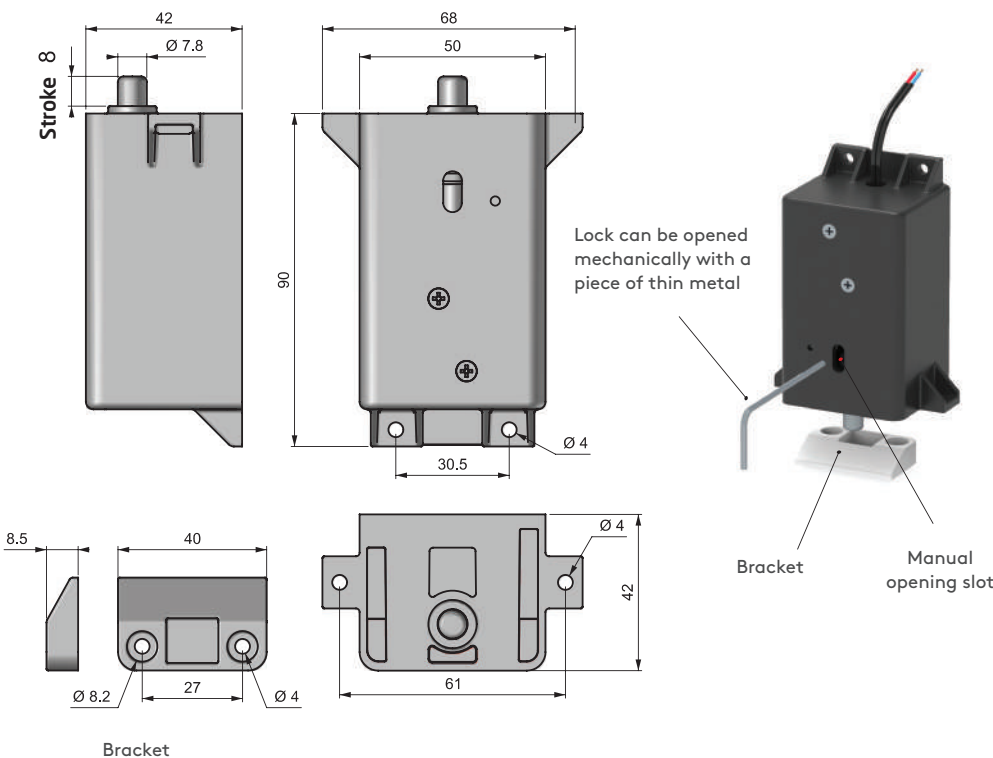
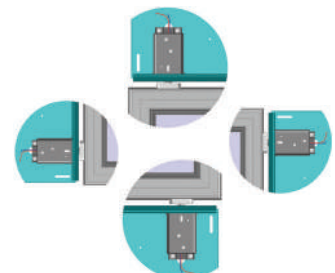


- Microprocessor controlled.
- Working voltage 220 V AC (with a special transformer)
- Open and close remote control
- Buzzer
- Manual opening slot in case of power outage
- New remote control identification with a master remote control
- More than one lock can be controlled by one remote control or vice versa
- More than one remote control can control one lock
- Stroke: 8 mm

MATERIALS

- BODY: Plastic
- PLUNGER: Steel
- BRACKET: Delrin

Multidirectional application



Group code:	Product name:	Page:
001	SWINGHANDLE	26,28
002	SWINGHANDLE - GEAR BOX	54
003	THREE - POINT LOCK	83
006	SWINGHANDLE	49
03030	INTERNAL LOCKING SYSTEM	86
007	SWINGHANDLE - GEAR BOX	76
008	SWINGHANDLE	40
010	CAM LOCK - T HANDLE	274
011	CAM LOCK - L HANDLE	274
012	HVAC LOCK	126- 129
012A1	INTERNAL SAFETY HANDLE	130
012A2	LEVER HANDLE	129
012A3	INTERNAL SAFETY HANDLE	129
013	FIRE- HOSE CABINET LOCK	284
014	T HANDLE HEAVY DUTY LOCK	100-106
015	T HANDLE HEAVY DUTY LOCK	112-113
016	PUSH - TO - CLOSE	90-94,454
018	T HANDLE HEAVY DUTY LOCK	114
020	SLIDING -GLASS DOOR LOCK	275
021	GLASS - DOOR LOCK	275
025	GLASS HINGE	433
030	FURNITURE LOCK	277
032	FURNITURE LOCK	276
033	FURNITURE LOCK	277
035	STEEL CUPBOARD LOCK	281
040	COMPRESSION LOCK	226-227,462-463
042	SCREW LOCK	479
045	COMPRESSION - SPRING LATCH	229,469
050	CAM LOCK	262- 263
050	CAM LOCK - BALL	235
050 AX	ACESSORIES	264
055	PADLOCKABLE - KNOB	236-239
055	CABINET LOCK	241
056	CAM LOCK	271
057	MINI CAM LOCK	268
058	STEEL CUPBOARD LOCK	282
059	SLIDING - DOOR LOCK	279
060	QUARTER TURN-SPRING LOADED	195,458
060 AX	ACCESSORIES	219-221
062	QUARTER TURN- WING KNOB	196
063	CAM LOCK	249,476
064	CAM LOCK -L HANDLE	257
064	CAM LOCK -T HANDLE	256
064	STEPPED COVER LOCK	222
064	QUARTER TURN- SPRING LOADED	223,457
064	QUARTER TURN -WING KNOB	224-225
065	CAM LOCK - WING KNOB	252,474
065	QUARTER TURN-WING KNOB	482
066	MINI QUARTER TURN - SPRING LOADED	232,456
070	LIFT & TURN LOCK	146
071	SLIDING LOCK	160

Group code:	Product name:	Page:
072	FUNCTIONAL LOCK	147
073	QUARTER-TURN LOCK	165
074	COVER PULL (SNAP-IN)	419
075	PANEL LOCK WITH HEXAGONAL HEAD	138
077	COMPRESSION TRIGGER LOCK	140
078	CLAMPS (3D)	136
079	COVER STAY	434, 516
082	FLUSH SPRING HANDLE	416
083	ALUMINIUM HANDLE	406
084	MILLENIUM HANDLE	405
085	DRAWER HANDLE	405
086	COVER HANDLE	412
087	COVER HANDLE	413
089	SPRING LOADED	330
090	SIDE HINGE (10 mm)	288,512
091	SIDE HINGE (12 mm)	288
092	SIDE HINGE (12 mm)	288, 512
093	SIDE HINGE (16 mm)	289
094	CONCEALED HINGE	302
095	CONCEALED HINGE	310-311, 492
096	CONCEALED HINGE	304 -305
097	CORNER HINGE	336, 493
098	CORNER HINGE	341
099	LEAF HINGE	358-359, 500, 502
100	CORNER HINGE	348
101	SWINGHANDLE	29
102	SWINGHANDLE - GEAR BOX	55
103	THREE - POINT LOCK	83
103	THREE - POINT LOCK (Wing knob, T and L handle)	78-79,450-451
103	QUARTER TURN LOCK	244
104	LINEAR HANDLE LOCK	68-69
105	SWINGHANDLE	30
106	SWINGHANDLE	38
107	SWINGHANDLE - GEAR BOX	61
108	SWINGHANDLE	42,44-45
109	SWINGHANDLE - GEAR BOX	70,72-73
110	CAM LOCK -T HANDLE	254,472
111	CAM LOCK -T HANDLE	255,473
112	HVAC LOCK	118-121
112	HVAC LOCK - ACCESSORIES	122-125
113	FIRE- HOSE CABINET LOCK	285
114	MINI T HANDLE CABINET LOCK	107-108
115	T HANDLE HEAVY DUTY LOCK	110
116	PUSH - TO - CLOSE	97
118	T HANDLE HEAVY DUTY LOCK	115
132	FURNITURE LOCK	276
140	MINI COMPRESSION LOCK	228,460
150	CAM LOCK	266

Group code:	Product name:	Page:
157	MINI CAM LOCK	269
158	MINI CAM LOCK	283
159	SLIDING-DOOR LOCK	278
160	QUARTER TURN- SPRING CAM	216,458
161	KNOB LOCK (plastic)	214
162	PACO LOCK	218
163	SPRING CAM LOCK	248
165	MINI CAM LOCK - WING KNOB	253
166	MINI QUARTER TURN - WING KNOB	234
170	LIFT & TURN LOCK	144-145
171	MINI SLIDING LOCK	161
174	COVER PULL (SNAP-IN)	419
176	HOOKED LOCK	166
177	COMPRESSION TRIGGER LOCK	141
179	COVER STAY	436 , 517
183	ALUMINIUM HANDLE	406
184	METAL HANDLE	407
185	FINGER HANDLE	404
186	COVER HANDLE	412
187	COVER HANDLE	414
189	SPRING LOADED	328
191	SIDE HINGE	292
192	SIDE HINGE (12 mm)	289, 513
193	SIDE HINGE (16 mm)	289, 513
194	CONCEALED HINGE	303
195	CONCEALED HINGE	312 -313
196	CONCEALED HINGE	306
197	CORNER HINGE	337
199	LEAF HINGE	357
200	CORNER HINGE	346-347
201	SWINGHANDLE	27
203	QUARTER TURN- WING KNOB	243
203	QUARTER TURN LOCK	245
203	THREE - POINT LOCK	82
203	THREE - POINT LOCK (Wing knob, T and L handle)	81-81
204	LINEAR HANDLE LOCK	66-67
205	SWINGHANDLE	50-51
206	SWINGHANDLE	35
207	SWINGHANDLE - GEAR BOX	62
208	SWINGHANDLE	43
209	SWINGHANDLE - GEAR BOX	75
211	PADLOCKABLE -L HANDLE	202,470
214	T HANDLE HEAVY DUTY LOCK	98-99
215	T HANDLE HEAVY DUTY LOCK	111
216	PUSH - TO - CLOSE	95
240	COMPRESSION LOCK - T HANDLE	258-259
250	CAM LOCK	267
257	MINI CAM LOCK	270
260	QUARTER TURN- PADLOCKABLE	217,459
261	KNOB LOCK (driver version)	215
261	KNOB LOCK (cylinder version)	251

Group code:	Product name:	Page:
262	PADLOCKABLE - WING KNOB	199
265	PADLOCKABLE - WING KNOB	475
266	MINI QUARTER TURN - SPRING LOADED	233,456
267	METAL KEY	191
270	SWELL LOCK	148-149
271	SLIDING LOCK	163
274	COVER PULL (SNAP-IN)	418
276	SAFETY LATCH	479
279	COVER STAY	435 , 515
284	METAL HANDLE	408
286	COVER HANDLE	404
287	COVER HANDLE	413
289	CONCEALED HINGE	331, 489
293	SIDE HINGE	296
294	CONCEALED HINGE	307
295	CONCEALED HINGE	314-315, 482-483
296	CONCEALED HINGE	308-309
297	CORNER HINGE	338
298	CORNER HINGE	340
299	LEAF HINGE	356, 500
300	HVAC HINGE	382
306	SWINGHANDLE	34
307	SWINGHANDLE - GEAR BOX	63
308	SWINGHANDLE	46
309	SWINGHANDLE - GEAR BOX	74
315	T HANDLE HEAVY DUTY LOCK	109
316	PUSH - TO - CLOSE	96
320.02.16X	CABLE SHUNTING RINGS	433
340	COMPRESSION LOCK	260,261
340.10.00X	ACOUSTIC SPONGE (Formed type)	437
340.0.26XX	ANALOG SENSORS	527
340.00.131	TOGGLE LATCH	428
340.00.132	TOGGLE LATCH	514
340.00.134	TOGGLE LATCH	514
340.00.135	TOGGLE LATCH	428
340.00.133	TOGGLE LATCH	428
340.00.3XX	DIAPHRAM GROMMETS	438
340.00.40X	RUBBER PLUG	439
340.02.430	SCREW	432
340.08.001	DOOR HOLDBACK	440
340.08.01X	RUBBER STOPPER	439
340.09.XXX	GASKETS	388-400
340.20.0XX	DOOR BOTTOM BRUSHES (Screw type)	441
340.20.0XX	DOOR BOTTOM BRUSHES (Plug-in type)	441
340.0.8023	TRUCK CARRIER HINGE	384
340.0.8209	TRUCK CARRIER HINGE	384
350	QUARTER TURN LOCK	240
360	QUARTER TURN -SPRING LOADED	213
361	SECURE QUARTER TURN	204
362	QUARTER TURN-WING KNOB	197
366	MINI QUARTER TURN - EASY FIXING	230

Group code:	Product name:	Page:
368	METAL KEY	190
371	SLIDING LOCK	160
374	COVER PULL (SNAP-IN)	417
377	COMPRESSION TRIGGER LOCK	142
384	METAL HANDLE	409
387	COVER HANDLE	415
389	SPRING LOADED	329
393	SIDE HINGE	296
394	CONCEALED HINGE	332
395	CONCEALED HINGE	316-317, 484-485
397	CORNER HINGE	339
398	CORNER HINGE	342
399	LEAF HINGE	360-501,503
340	COMPRESSION LOCK - WING KNOB	260-261
400	CORNER HINGE	345
401	SWINGHANDLE	444
402	SWINGHANDLE - GEAR BOX	448-449
406	SWINGHANDLE	36-37
407	MODULER SYSTEM SWINGHANDLE	64-65
408	SWINGHANDLE	32-33
409	SWINGHANDLE - GEAR BOX	59-60
411	PADLOCKABLE L HANDLE	477
416	PUSH-TO CLOSE LOCK	455
440	HYGIENIC COMPRESSION LOCK	466-467
450	CAM LOCK SPRING LOADED	265
460	HYGIENIC LOCK	468
461	SECURE QUARTER TURN	205
462	BRIDGE CLAMP SYSTEM	137
466	MINI LOCK	164
471	MINI SLIDING LOCK	161
477	COMPRESSION TRIGGER LOCK	143
484	METAL HANDLE	407
487	COVER HANDLE	414
493	SIDE HINGE	297
497	CORNER HINGE	343
498	CORNER HINGE	344
499	LEAF HINGE	366
500	HVAC HINGE	381
501	SWINGHANDLE	30 , 445
502	SWINGHANDLE - GEAR BOX	56-57, 446-447
508	SWINGHANDLE	48
518	SWINGHANDLE	50
540	COMPRESSION LOCK	464-465
560	QUARTER TURN - EASY FIXING	206
561	KNOB LOCK (plastic)	209
562	PADLOCKABLE - WING KNOB	198,471
566	MINI QUARTER TURN - EASY FIXING	231
571	SLIDING LOCK	162
584	FOLDABLE METAL HANDLE	410
593	SIDE HINGE	298
595	CONCEALED HINGE	327

Group code:	Product name:	Page:
599	LEAF HINGE	367,504
600	CORNER HINGE/HVAC HINGE	349-350, 498
601	SWINGHANDLE	31
602	SWINGHANDLE - GEAR BOX	58
612	HVAC LOCK	131-133
660	QUARTER TURN - EASY FIXING	207
661	QUARTER TURN - EASY FIXING	208
662	QUATER TURN- PADLOCKABLE	200-201
666	QUATER TURN- LOCK	242
671	SLIDING LOCK	162
684	METAL HANDLE	410
693	SIDE HINGE	299
693	HINGE WITH BEARING	379
695	CONCEALED HINGE	318-319, 486-487
699	LIFT - OFF HINGE	378
700	CORNER HINGE/HVAC HINGE	351
708	SWINGHANDLE	47
712	FUNCTIONAL LOCKING HINDE	134- 135
760	QUARTER TURN- SPRING LOADED	212
761	CAM LOCK - EASY FIXING	250
761	QUARTER TURN - EASY FIXING	210,211
784	METAL HANDLE	411
793	SIDE HINGE	290
795	CONCEALED HINGE	320, 488
799	LEAF HINGE	370,505
800	HVAC HINGE	380
808	SWINGHANDLE	39
809	SWINGHANDLE - GEAR BOX	77
860	QUARTER TURN LOCK	478
884	ALUMINIUM HANDLE	408
893	SIDE HINGE	291
895	CONCEALED HINGE	322
899	LEAF HINGE	365,508
900	LEAF HINGE	364
908	SWINGHANDLE	41
909	SWINGHANDLE - GEAR BOX	71
960	QUARTER TURN-MODULER HANDLE	203
993	SIDE HINGE	294
995	CONCEALED HINGE	324-325, 491
999	LEAF HINGE	509
1060	QUARTER TURN - SPRING LOADED	461
1093	SIDE HINGE	293
1095	CONCEALED HINGE	323
1100	ADHESIVE GASKET	401
1193	SIDE HINGE	295
1199	LEAF HINGE	373
1200	ADHESIVE GASKET	401
1293	LIFT-OFF HINGE	496
1299	MINI LEAF HINGE	355, 498

Group code:	Product name:	Page:
1300	ADHESIVE GASKET	401
1399	LEAF HINGE	497
1495	CONCEALED HINGE	333
1499	LEAF HINGE	363
1500	HVAC HINGE	383
1599	LEAF HINGE	368-369, 506-507
1699	LEAF HINGE	362
1795	CONCEALED HINGE	321
1995	CONCEALED HINGE	326, 490
2220	CIRCULAR INSPECTION WINDOW	425
2099	TORQUE HINGE	374
2150	DRAWING POCKET (A4)	424
2152	DRAWING POCKET (A5)	424
2199	TORQUE HINGE	374
2215	COUNTER SCREEN	426
2216	COUNTER SCREEN	426
2300	VENTILATION SHUTTER	422-423
2399	ADJUSTABLE TORQUE HINGE	376
240X	CAGE NUT	427
2599	TORQUE HINGE	375
245X	EYEBOLT	427
2499	ADJUSTABLE TORQUE HINGE	377
2700	TOGGLE LATCH	429
2701	TOGGLE LATCH	429
2702	TOGGLE LATCH	429
2750	SPRING LOADED LATCH WITHOUT STUD	431
2751	SPRING LOADED LATCH WITH STUD	431
276X	MINI INDEXING PLUNGERS	430
2800	ROTARY LACTH (Mini)	150-153
2801	CABLES	159
2810	ROTARY LACTH (Large)	154-155
2890	CONCEALED HINGE	511
2899	LEAF HINGE	371
2999	LEAF HINGE	510
3099	LIFT-OFF HINGE	499
3101	ELECTRONIC SWINGHANDLE	528
3102	ELECTRONIC SWINGHANDLE	529
3103	ELECTRONIC SWINGHANDLE	530
3104	ELECTRONIC SWINGHANDLE	531
3105	ELECTRONIC SWINGHANDLE	534
3106	ELECTRONIC SWINGHANDLE	535
3111	ELECTRONIC SWINGHANDLE	532
3111	ELECTRONIC SWINGHANDLE	533
3211	ELECTRONIC CABINET LOCK	540
3212	ELECTRONIC CABINET LOCK	541
3213	ELECTRONIC CABINET LOCK	542
3214	ELECTRONIC CABINET LOCK	543
3201	ELECTRONIC CABINET LOCK	546
3202	ELECTRONIC CABINET LOCK	544
3203	ELECTRONIC CABINET LOCK	545
3204	ELECTRONIC CABINET LOCK	538

Group code:	Product name:	Page:
3205	ELECTRONIC CABINET LOCK	539
3203	ELECTRONIC CABINET LOCK	545
3299	LIFT-OFF HINGE	499
3301	ELECTRONIC CABINET LOCK	547
3311	SOLENOID LOCK	537
3331	ELECTRONIC ROTARY LATCH	156-157
3341	ELECTRONIC KEEPER	536
3399	LIFT-OFF HINGE	499
3402	ACCESS CONTROL UNIT (ACU)	522
3403	ACCESS CONTROL UNIT (ACU PLUS)	524
3414	ACCESS INTERFACE (AIK) - KEYPAD	526
3415	ACCESS INTERFACE (AIP) - PROXIMITY	526
3416	STANDALONE ACCESS INTERFACE (S-AIK) - KEYPAD	525
3417	STANDALONE ACCESS INTERFACE (S-AIK) - KEYPAD	525
3501	EMERGENCY STOP BUTTON	139
3599	LIFT-OFF HINGE	495
4001	MECHANISM	85
4150	COMBINATION LOCK	280
4299	LIFT - OFF HINGE	372, 494
	CAMS WITH STOPPER	170- 171
	CAMS WITHOUT STOPPER	172 - 173
	STAINLESS STEEL CAMS	174
	ADDITIONAL CAMS	175
	SLIDE SHOE FOR CAM	176
	HOOK CAMS	176
	ACTUATOR PLATES	177
	ROUND ROD ACCESSORIES	180
	FLAT ROD ACCESSORIES	181 - 182
	ROD CORNER CONTROL (RCC)	183
	ROUND RODS	184, 185,452
	FLAT RODS	186, 187, 188,453
	KEYS	189 - 191



FACTORY - 2 22.000 sqm

- R&D Centre
- Sales & Service
- Assembly
- Logistics Center
- Warehouse
- Laboratory



FACTORY - 1 13.500 sqm

- Production
- Finance
- Human Resources
- Quality Management
- Tooling maintenance