

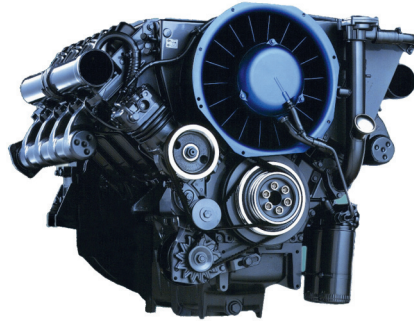
FL 413FW

for applications in mines

102 - 204 kW | 137 - 274 hp at 1500 - 2300 min⁻¹ | rpm

US-MSHA

- Air-cooled 6-, 8-, 10- and 12-cylinder V engines.
- The robust engine design guarantees high operational safety, also even under extreme conditions when working underground.
- The very compact engine design of the V engine and the integrated cooling system reduce the installation costs.



- Low operating costs due to low fuel consumption, low amounts of ventilation, as well as long maintenance intervals with low maintenance requirements.
- Capacity: 1.6 l/cylinder, modular system with single cylinders.
- Certified in accordance with US-MSHA (Mine Safety and Health Administration).

Technical data

Engine type		F6L 413FW	F8L 413FW	F10L 413FW	F12L 413FW
No. of cylinders		6	8	10	12
Bore/stroke	mm in	125/130 4.92/5.12	125/130 4.92/5.12	125/130 4.92/5.12	125/130 4.92/5.12
Displacement	l cu in	9.6 584	12.8 779	15.9 974	19.1 1168
Maximum nominal speed	min ⁻¹ rpm	2300	2300	2300	2300

Engine type		F6L 413FW	F8L 413FW	F10L 413FW	F12L 413FW
Power output as per ISO 14396 ¹⁾	kW hp	102 137	136 182	170 228	204 274
at speed	min ⁻¹ rpm	2300	2300	2300	2300
Max. torque	Nm lb/ft	500 369	665 490	830 612	995 734
at speed	min ⁻¹ rpm	1500	1500	1500	1500
Minimum idling speed	min ⁻¹ rpm	600	600	600	600
Specific fuel consumption ²⁾	g/kWh lb/hph	276 0.45	276 0.45	276 0.45	276 0.45
Weight as per DIN 70020 Part 7A ³⁾	kg lb	660 1455	830 1830	990 2183	1120 2469

1) Power data without deduction of fan power.

2) Best full load consumption, relates to diesel fuel with a density of 0.835 kg/dm³ at 15°C.

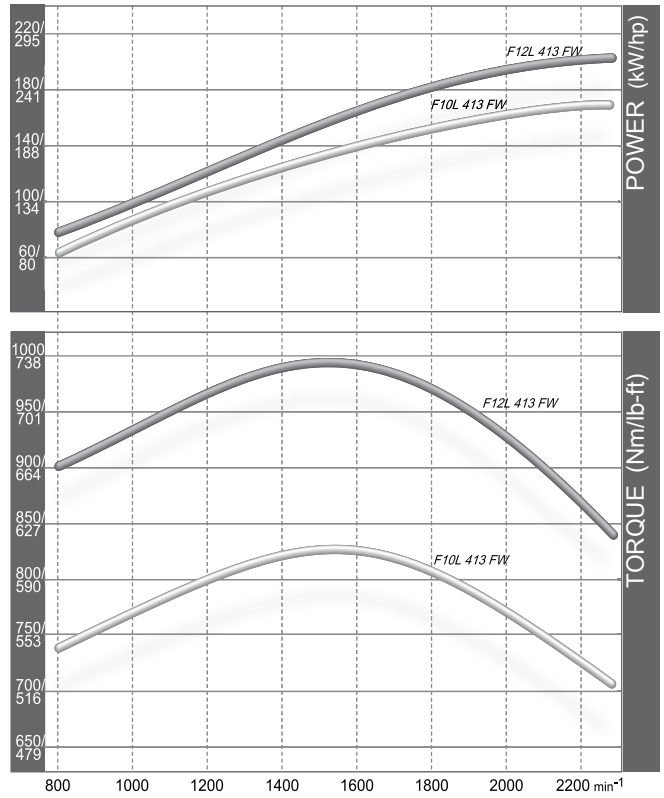
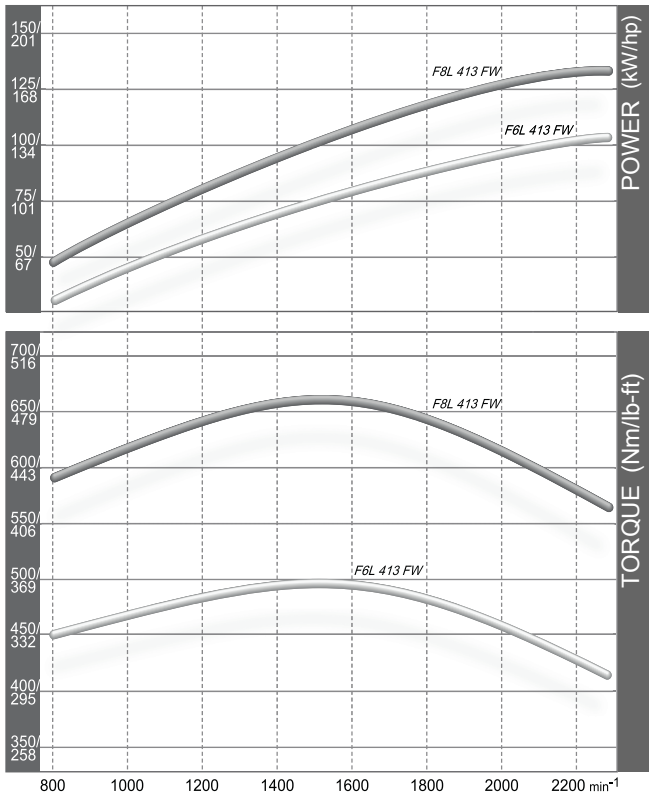
3) Without starter/dynamo, but with a flywheel and flywheel housing.

The data on this data sheet are for information purposes only and are not binding values. The data in the quotation is definitive.

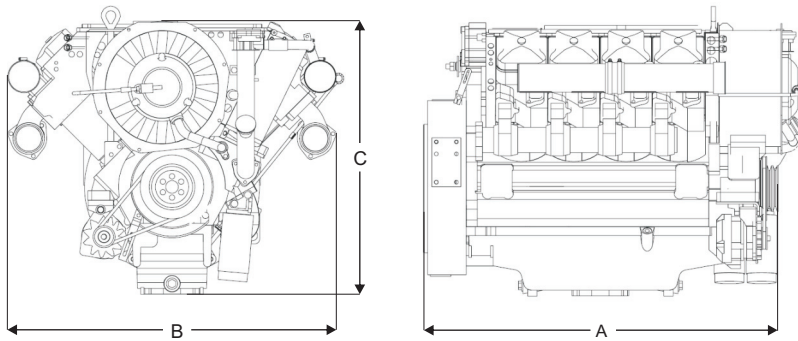
Torque curve

F6L 413FW - 102 kW|137 hp
F8L 413FW - 136 kW|182 hp

F10L 413FW - 170 kW|228 hp
F12L 413FW - 204 kW|274 hp



Dimensions



		A	B	C
F6L 413FW	mm in	915 36	1038 41	860 34
F8L 413FW	mm in	1080 43	1038 41	860 34
F10L 413FW	mm in	1283 51	1038 41	999 39
F12L 413FW	mm in	1448 57	1038 41	1007 40

Note: The engine dimensions and weights vary depending on the scope of delivery.

For more information please contact the DEUTZ AG Köln or the responsible sales partner.

