

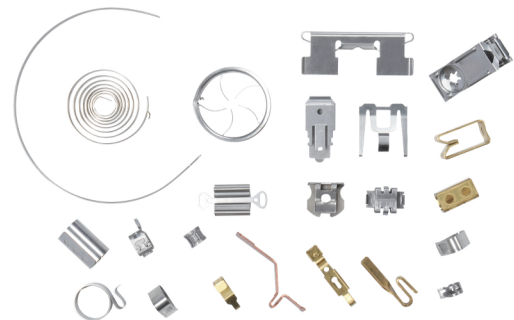


MWF-32S ▶

STRIP STAMPING AND FORMING MACHINE

CNC Multi-Axes Strip and Wire Former

Model No.	MWF-32S
Wire Diameter (mm)	0.6~3.2
Max. Strip Width (mm)	40
Axes	11



CNC Strip and Wire Former

Model No.	CWF-210S	CWF-325S	CWF-36	CWF-338S	CWF-39SP
Wire Diameter (mm)	0.1~1.0	0.6~2.5	0.6~2.5	1.5~5.0	1.5~6.5
Max. Strip Width (mm)	10	30	30	50	60