

SW405K

PRODUCT SPECIFICATIONS

SANY



STANDARD FEATURES

- Engine: Deutz TCD 7.8 (EU Stage 5)
- Boom Suspension System
- Locking Differential Axle
- Automatic Transmission Kick Down
- Bucket Self-Leveling and Return to Dig
- SANYLive Telematics
- Single Joystick Control
- Third Function Hydraulics
- Reversible fan
- 360° View Camera

Gross Power
195 kW

Bucket Capacity
3.2 m³

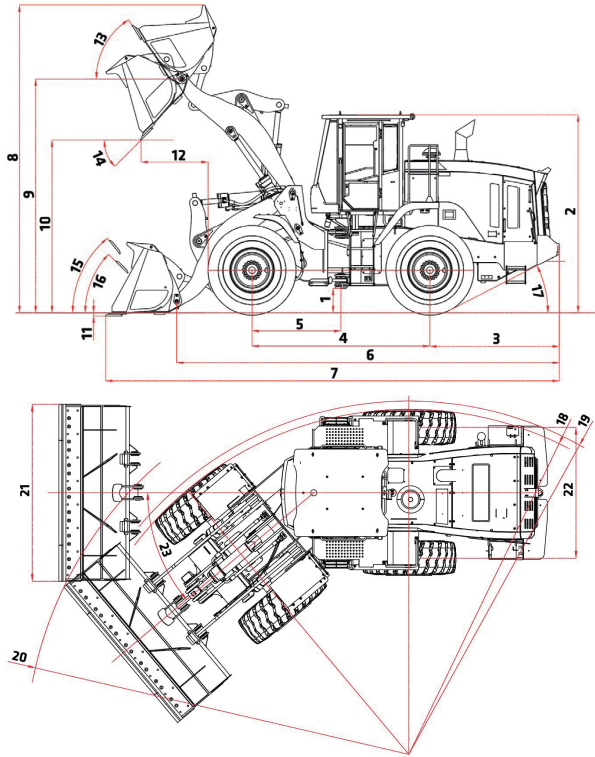
Operating Weight
18 500 kg

Straight Turn Tipping Load
14500 kg

Full Turn Tipping Load
13100 kg

PRODUCT SPECIFICATIONS

SANY SW405K



Machine Parameters

WEIGHT

Operating Weight	18 500 kg
------------------	-----------

ENGINE

Deutz TCD7.8

Max Gross Power	195 kW
Rated power	170 kW
Max Gross Torque	1308 Nm
Displacement	7.8 L

OPERATING

Bucket Capacity	3.2 m ³
Breakout Force	180 kN
Tipping Load Straight	14 500 kg
Tipping Load @ Full Turn	13 100 kg
Clearance (full lift 45° dump)	3100 mm
Reach (full lift 45° dump)	1185 mm

HYDRAULIC SYSTEM

Max Flow	306.6 LPM
Max Pressure	28 MPa

HYDRAULIC CYCLE TIMES

Raise	5.4 sec
Dump	1.9 sec
Float Down	3.3 sec
Total Cycle Time	10.6 sec

SERVICE CAPACITIES

Fuel Tank	300 L
Cooling System	43 L
Engine Crankcase	23 L
Transmission	35 L
Front Axle	28 L
Rear Axle	28 L
Hydraulic Tank	290 L
DEF Tank	20 L

TRANSMISSION

Shift Modes	Automatic, Manual, Kick Down
Forward Gear 1-4	7.3/13.5/26/40 km/h
Reverse Gear 1-3	7.3/13.5/26 km/h

POWER TRAIN

Front Axle	Fixed
Traction Aid	Manual Differential Lock
Rear Axle	Oscillating
Traction Aid	Open Differential
Service Brake	Wet Disk
Parking Brake	Disk Brake

OVERALL DIMENSIONS

STANDARD

1 Ground clearance	430 mm
2 Height to Top of Cab	3 580 mm
3 Center Line of Rear Axle to Edge of Counterweight	2 335 mm
4 Wheelbase	3 200 mm
5 Center Line of Front Axle to Center Pivot	1 600 mm
6 Shipping Length without Attachment	7 040 mm
7 Shipping Length with Bucket	8 180 mm
8 Max. Dump Height	5 415 mm
9 Hinge Pin Height at Max. Lift	4 145 mm
10 Dump Clearance at Max. Lift	3 100 mm
11 Dig Depth, Level Bucket	30 mm
12 Reach at Max. Lift and 45° Discharge	1 185 mm
13 Roll Back at Max. Lift	58°
14 Dump Angle at Max. Lift and Dump	45°
15 Roll Back at Carry Height	50°
16 Roll Back at Ground	45°
17 Tail Angle to the Rear Wheel	27°
18 Clearance Circle to Outside of Tires	5 635 mm
19 Clearance Circle to Counterweight	5 911 mm
20 Max. Circle	6 465 mm
21 Width of the Bucket	3 015 mm
22 Width	2 200 mm
23 Articulation Angle	+/- 40°

In the interest of continual equipment development, SANY reserves the right to change these specifications at any time without prior notification.

SANY