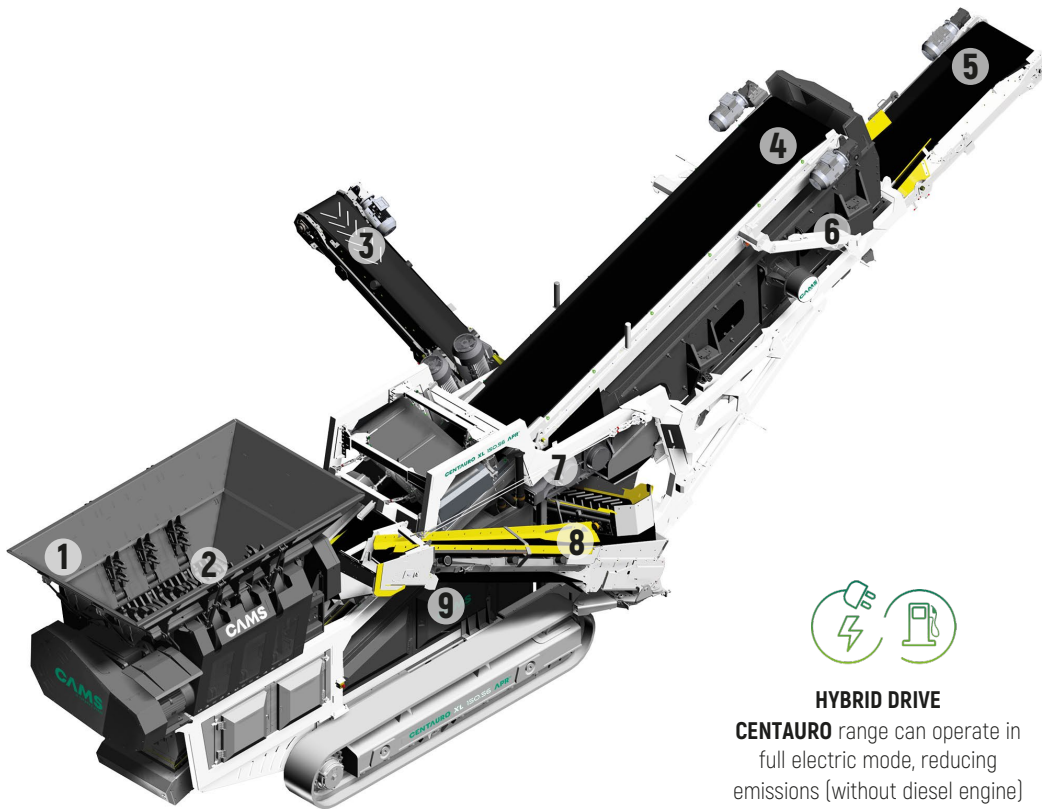


CENTAURO XL 150.56 APR

CENTAURO XL 150.56 APR combines the action of two shredders, a cross-magnet and a vibrating screen compacting them in a single plant. Thanks to an innovative patented technology, it is the perfect solution for crushing industrial waste, asphalt and other debris, even in sub-optimal conditions, reducing consumption, costs and environmental impact.



HYBRID DRIVE

CENTAURO range can operate in full electric mode, reducing emissions (without diesel engine)

FEATURES

- Automatic programs for shredding different materials
- Ability to process wet materials
- Single genset for the supply of all components
- Low fuel consumption
- Designed for compact transport dimension
- High wear resistance
- Ability to supply electrical power
- Low emissions and acoustic pollution

OPTIONS

- Hydraulic hopper extensions
- Hydraulic pushers
- GPS
- Belt scale
- Fuel pump
- Electrical greasing pump

1 Hopper

Volume: 3.8 m³
Length: 3.5 m
Width: 2.0 m

2 Primary shredder

Model: FTR 1500
Surface: mm 1500 x 900

3 Midsize conveyor

Width: 500 mm

4 Main conveyor

Width: 900 mm

5 Finesize conveyor

Width: 900 mm

6 Screen

Model: CVV056
Surface: mm 4300 x 1300
Screen decks: 2

7 Secondary shredder

Model: CTR 1200
Surface: mm 1200 x 900

8 Swing-out conveyor

Width: 500 mm

9 Genset

Engine: CAT C9.3 Stage 5 285 kW
Alternator: MeccAlte 400 kVA
Fuel tank: 230 l

Max. production

250t/h

CENTAURO XL 150.56 APR	Transport	Work
Length	13.65 m	15.3 m
Height	3.40 m	4.8 m
Width	2.55 m	6.3 m
Weight	42'000 kg	