

Reisopack®

Strapping machine
Horizontal semiautomatic for pallets

2840

Strapping technologies

**The semiautomatic
strapping machine
easier to use**



2840

Strapping machine Horizontal semiautomatic for pallets

Easy to use. The machine can be placed beside the stacked pallet, avoiding the need to move the load.



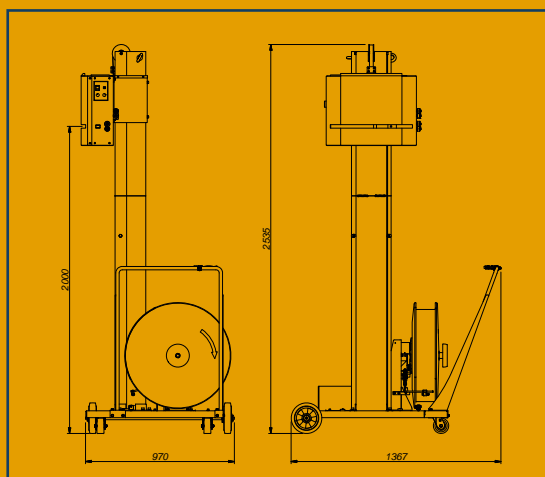
REISO1400 strapping head long durability and excellent performance.
Forget failures!

- Own manufacturing and technology using highest quality components.
- Aluminium head set and tension roller treated ensures long life of the machine.
- Tension electronically adjustable through a magnetic clutch to get the strongest tension without any physical effort.
- Power supply system via network connection.
- Brake lever to prevent unwanted movements.
- Strapping height manually adjustable without effort. Allows strap from 17 cm. from the floor up to 2 m.
- It helps putting edge protectors while first strapping.
- Bobbin holder located on the base to facilitate bobbin change operation.
- Market leader in semiautomatic strapping in fruit and vegetable sector since 1994.



Compatible with 400 mm coils to reduce the number of stops.

Brake lever to prevent unwanted movements.



CHARACTERISTICS

- VOLTAGE:** 220 V / 240 V · 50 / 60 Hz. Single phase
- ELECT. CONSUMPTION:** 1 Kw. **APROX. PRODUCT.:** 20-30 pallets / hour.
- POWER SUPPLY:** Via network connection.
- PACKAGING DIMENSIONS:** 2 packages (440 Kg.).
1150 X 1070 X 1070 mm. / 2450 X 760 X 670 mm.

TECHNICAL SPECIFICATIONS

- STRAP WIDTH:** 6-8-12-16 mm. (Factory set).
- STRAP THICKNESS:** 0,50-0,85 mm.
- HEATING SYSTEM:** Electrical heating.
Heating temperature and cooling time adjustable.
- OPTIONS:** Replacement battery holder carriage with built-in charger.
Inner diameter of the bobbin holder of 200mm or 400mm.

05/15 Edition - We reserve the right to made any modification without prevention

Reisopack s.l.

Polígono Industrial "Z"
C/ De la Prensa, 3
08150 Parets del Vallès (Spain)

Tel. 902 153 448 - Fax 935 624 186
<http://www.reisopack.com>
E-mail: reiso@reisopack.com

Customer service: ☎ (+34) 935 735 340