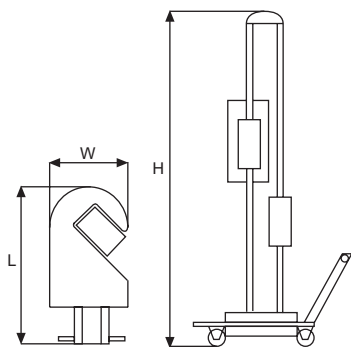
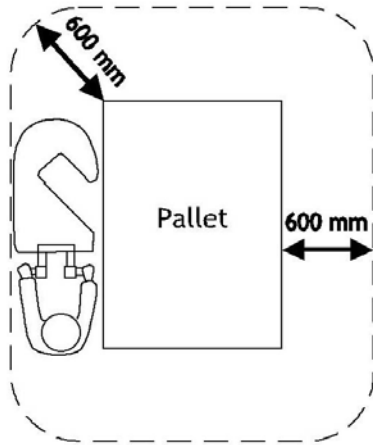
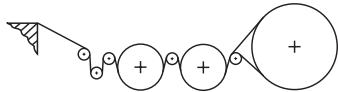


Wrapman

POWER PRE-STRETCH 100%



MODELS	max useful pallet height	H (mm)	L (mm)	W (mm)	weight	autonomy	max diameter film coil	core types of film coil
WRAPMAN 2.0	2.0	2110	1015	570	121 kg	70 pallet	145mm	50-76 mm
WRAPMAN 2.4	2.4	2472	1015	570	123 kg	70 pallet	145mm	50-76 mm
WRAPMAN 2.8	2.8	2891	1015	570	137 kg	70 pallet	145mm	50-76 mm