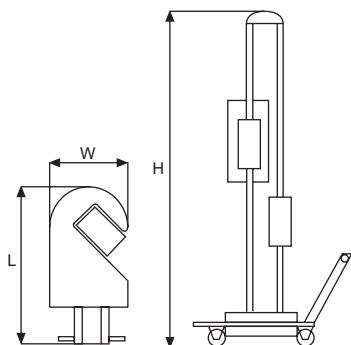
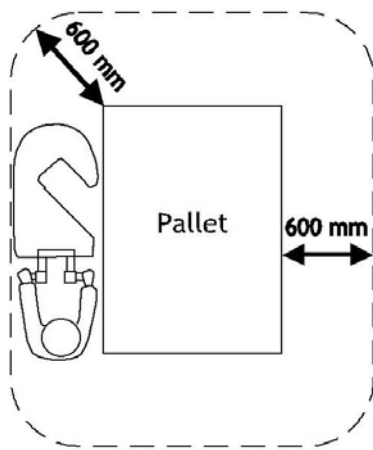
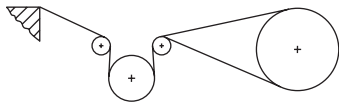


Xtenser Sth

FRICTION ROLLER



MODELS	max useful pallet height	H (mm)	L (mm)	W (mm)	weight	autonomy	max diameter film coil	core types of film coil
XTENSER Sth 2.0	2.0	2110	1150	570	105 kg	-	180 mm	38-50-76 mm
XTENSER Sth 2.4	2.4	2472	1150	570	107 kg	-	180 mm	38-50-76 mm