

Data subject to change without prior notice  
Edition 10/2022 © 2022 JMG Cranes S.p.A. All rights reserved  
Rev. 2 - 10/22



## Electric Pick & Carry Cranes



**MC 160 (metric)**  
Max Capacity 16,000 kg



Barcelona  
938498388

Valencia  
961344394

Madrid  
918951758

Vitoria  
945365601

[www.transgruas.com](http://www.transgruas.com)  
[info@transgruas.com](mailto:info@transgruas.com)



TELESCOPIC BOOM

FRONT-WHEELS DRIVE WITH COUNTER ROTATION

REMOVABLE COUNTERWEIGHTS



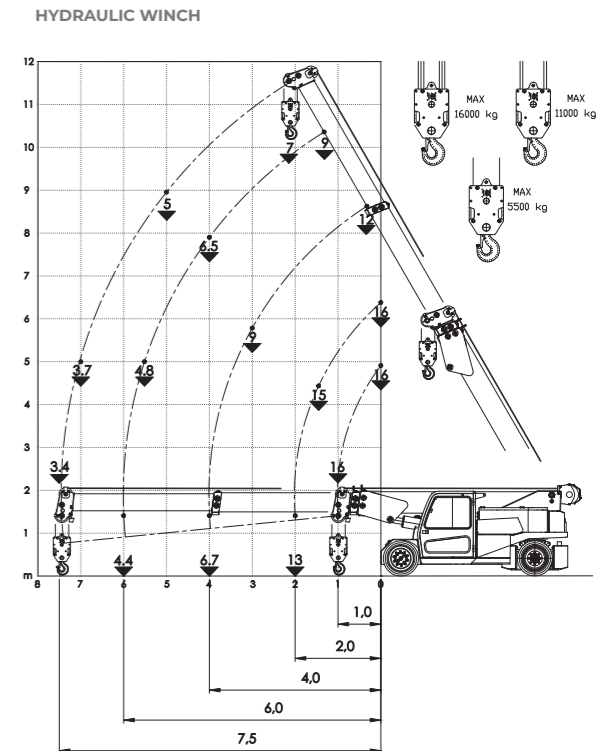
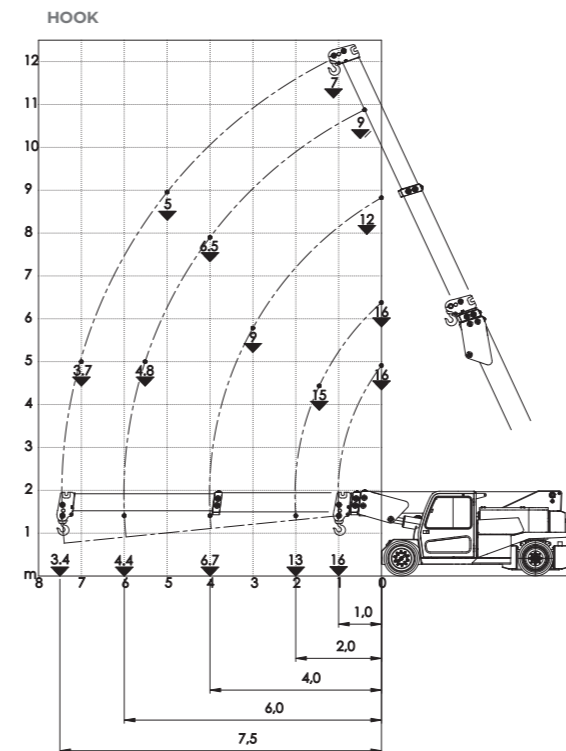
**Options :**

- HYDRAULIC WINCH
- HYDRAULIC JIB
- HYDRAULIC EXTENSION
- MANUAL JIB
- MANUAL EXTENSION
- NON-MARKING TIRES
- RADIO REMOTE CONTROL
- HYDRAULIC FORKS
- MAN BASKET
- ATEX CONVERSIONS
- CUSTOMIZED PAINTING

**i** **Technical features**

Max Capacity kg	16,000	Front-wheels drive. 2 electric motors AC 10 kW 96V Insulation class H	LMI. Electronic safe load indicator and tilting moment limiter
	Dimension mm	4395x2070x2000	
			96 V - 1035 Ah 8 working hours
		Front nr. 4 superelastic 355/50-20" Rear nr. 2 superelastic 355/50-20"	Fabricated from preformed and welded quality steel plate
		Rear Steering angle -90°/+90°	+65°/-4°
			Motor driven pump 1x24 kW-96 V AC, 1x12 kW-96 V AC

**Load charts**



**EU Standards CE**

	UNI ISO 4301-1: A1
	2006/42 CE-2014/30 UE-2014/35 UE- 2000/14 and subsequent modifications
	EN 13000:2014 ANSI/ASME B30.5-2011 and subsequent modifications

**Dimensions**

