

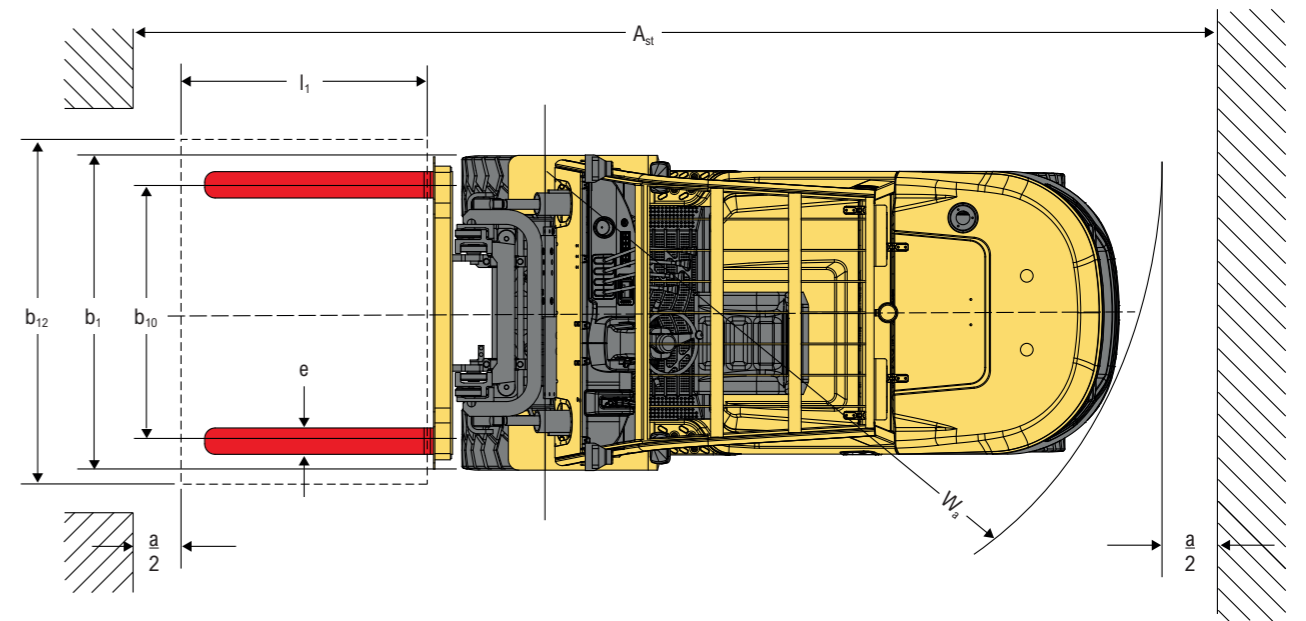
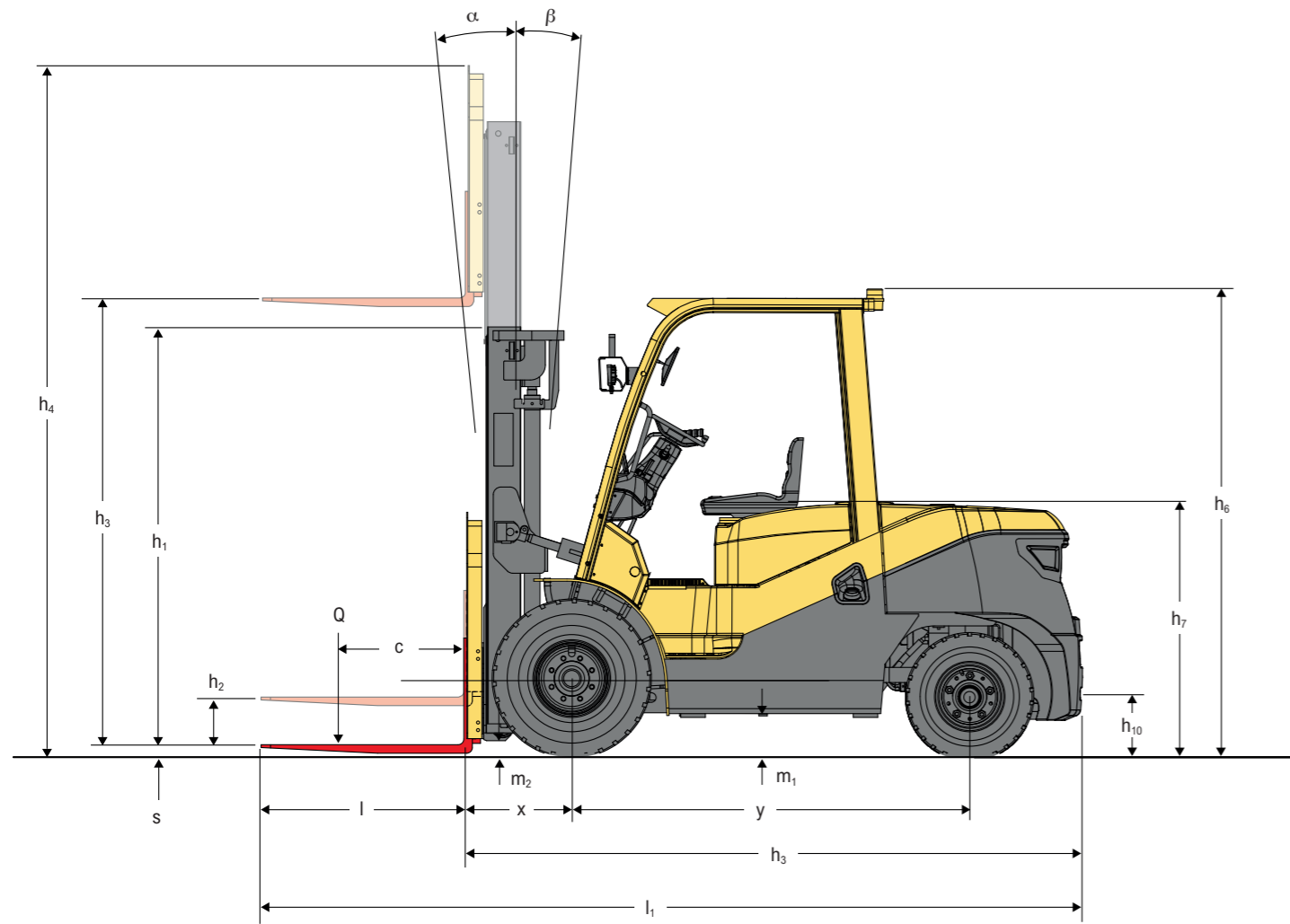
H4.0-5.0 UT SERIES



DIESEL & LPG FORKLIFT TRUCKS
PRODUCT TECHNICAL GUIDE



WWW.HYSTER.COM



H4.0-4.5 UT, DIESEL SPECIFICATIONS

H5.0 UT, DIESEL SPECIFICATIONS

GENERAL	HYSTER								
	H4.0 UT		H4.5 UT						
1.1	Manufacturer								
1.2	Model designation								
1.2.1	Stage IIIA		Stage V						
1.3	Power: battery, diesel, LPG, electric mains								
1.4	Operation: manual, pedestrian, stand, seat, orderpicker								
1.5	Q	kg	4000	4500					
1.6	c	mm	500	500					
1.8	x	mm	575	575					
1.9	y	mm	2100	2100					
WEIGHT	2.1	Unladen weight		6435	6670				
	2.2	Axle loading, laden front / rear		9195 / 1240	9917 / 1253				
	2.3	Axle loading without load, front / rear		3075 / 3360	2910 / 3760				
WHEELS	3.1	Tyres: P = pneumatic, V = cushion, SE = superelastic							
	3.2	Tyre size, front							
	3.3	Tyre size, rear							
	3.5	Number of wheels, front/rear (X = driven)							
	3.6	Track width, front							
DIMENSIONS	4.1	α / β	(°)	6/12	6/12				
	4.2	h ₁	mm	2250	2250				
	4.3	h ₂	mm	150	150				
	4.4	h ₃	mm	3000	3000				
	4.5	h ₄	mm	4260	4260				
	4.7	h ₆	mm	2250 (2400)	2250 (2400)				
	4.8	h ₇	mm	1350	1350				
	4.12	h ₁	mm	340	340				
	4.19	l ₁	mm	4280	4280				
	4.20	l ₂	mm	3210	3210				
	4.21	b ₁ / b ₂	mm	1490 / 1924	1490 / 1924				
	4.22	s/e/l	mm	50 / 150 / 1070	50 / 150 / 1070				
	4.23	b ₃	mm	1380	1380				
	4.24	b ₃	mm	1380	1380				
	4.31	m ₁	mm	130	130				
	4.32	m ₂	mm	186	186				
	4.33	b ₁₂ x l ₆	mm	1000 x 1000	1000 x 1000				
	4.34	A _{st}	mm	4695	4695				
4.34.1	A _{st}	mm	4825	4825					
4.34.2	A _{st}	mm	4825	4825					
4.35	W _a	mm	2850	2850					
4.36	b ₁₃	mm	845	845					
PERFORMANCE	5.1	km/h	24 / 25	22 / 24	24 / 25	24 / 25			
	5.1.1	km/h	17 / 18	15 / 16	17 / 18	15 / 16			
	5.1.2	km/h	19 / 20	17 / 19	19 / 20	17 / 19			
	5.2	mm/s	530 / 560						
	5.3	mm/s	480 / 500						
	5.6	N	30000 / 23000	25000 / 21000	30000 / 23000	25000 / 21000			
	5.7	%	24 / 35	20 / 25	22 / 25	20 / 25			
	5.9	s	5.41(S1) / 5.06(S2)	5.24(S1) / 5.34(S2)	5.41(S1) / 5.06(S2)	5.24(S1) / 5.34(S2)			
	5.9.1	s	4.52(S1) / 4.35(S2)	4.82(S1) / 4.50(S2)	4.52(S1) / 4.35(S2)	4.82(S1) / 4.50(S2)			
	5.10	Hydraulic							
COMBUSTION ENGINE	7.1	Mitsubishi S6S		Kubota V3800-CR-TE5CB-HYM-1		Mitsubishi S6S		Kubota V3800-CR-TE5CB-HYM-1	
	7.2	Kw	52	55.4	52	55.4			
	7.3	min-1	2300	2200	2300	2200			
	7.4	(-) / (cm ³)	6 / 4996	4 / 3769	6 / 4996	4 / 3769			
	7.5	l/h or kg/h	7.62l/h / 6.4kg/h	5.0l/h / 4.2kg/h	7.62l/h / 6.4kg/h	5.0l/h / 4.2kg/h			
	7.6	t/h	345t/h	375t/h	345t/h	375t/h			
	7.7	l/h or kg/h	9.97l/h / 8.37kg/h	8.93l/h / 7.5kg/h	9.97l/h / 8.37kg/h	8.93l/h / 7.5kg/h			
	7.8	A	35	100	35	100			
	7.9	V	24	12	24	12			
	7.10	V/Ah	2-12 / 60	12 / 120	2-12 / 60	12 / 120			
ADDITIONAL DATA	8.1	E-Hydraulic							
	10.1	bar	195						
	10.2	l/min	70						
	10.4	l	100						
	10.7	dB (A)	88	81.5	88	81.5			
	10.7.2	dB (A)	109.6	99.7	109.6	99.7			
10.8	Pin								

(1) Height of low overhead guard (cabin): 2250mm; Height of high overhead guard (cabin): 2400mm

GENERAL	HYSTER					
	H5.0 UT		Stage V			
1.1	Manufacturer					
1.2	Model designation					
1.2.1	Stage IIIA		Stage V			
1.3	Power: battery, diesel, LPG, electric mains					
1.4	Operation: manual, pedestrian, stand, seat, orderpicker					
1.5	Q	kg	5000	5000		
1.6	c	mm	500	500		
1.8	x	mm	580	580		
1.9	y	mm	2100	2100		
WEIGHT	2.1	Unladen weight		7010		
	2.2	Axle loading, laden front / rear		10810 / 1200		
	2.3	Axle loading without load, front / rear		3160 / 3850		
WHEELS	3.1	Tyres: P = pneumatic, V = cushion, SE = superelastic				
	3.2	Tyre size, front				
	3.3	Tyre size, rear				
	3.5	Number of wheels, front/rear (X = driven)				
	3.6	Track width, front				
DIMENSIONS	4.1	α / β	(°)	6 / 12	6 / 12	
	4.2	h ₁	mm	2250	2250	
	4.3	h ₂	mm	155	155	
	4.4	h ₃	mm	3000	3000	
	4.5	h ₄	mm	4260	4260	
	4.7	h ₆	mm	2250 (2400)	2250 (2400)	
	4.8	h ₇	mm	1350	1350	
	4.12	h ₁	mm	340	340	
	4.19	l ₁	mm	4345	4345	
	4.20	l ₂	mm	3275	3275	
	4.21	b ₁ / b ₂	mm	1490 / 1924	1490 / 1924	
	4.22	s/e/l	mm	50 / 150 / 1070	50 / 150 / 1070	
	4.23	b ₃	mm	1380	1380	
	4.24	b ₃	mm	1380	1380	
	4.31	m ₁	mm	130	130	
	4.32	m ₂	mm	186	186	
	4.33	b ₁₂ x l ₆	mm	1000 x 1000	1000 x 1000	
	4.34	A _{st}	mm	4755	4755	
4.34.1	A _{st}	mm	4885	4885		
4.34.2	A _{st}	mm	4885	4885		
4.35	W _a	mm	2905	2905		
4.36	b ₁₃	mm	845	845		
PERFORMANCE	5.1	km/h	25 / 27	22 / 24	22 / 24	
	5.1.1	km/h	17 / 18	15 / 16	15 / 16	
	5.1.2	km/h	19 / 20	17 / 19	17 / 19	
	5.2	mm/s	530 / 560			
	5.3	mm/s	480 / 500			
	5.6	N	30000 / 23000	25000 / 21000	30000 / 23000	25000 / 21000
	5.7	%	20 / 25			
	5.9	s	5.41(S1) / 5.06(S2)	5.24(S1) / 5.34(S2)	5.41(S1) / 5.06(S2)	5.24(S1) / 5.34(S2)
	5.9.1	s	4.52(S1) / 4.35(S2)	4.82(S1) / 4.50(S2)	4.52(S1) / 4.35(S2)	4.82(S1) / 4.50(S2)
	5.10	Hydraulic				
COMBUSTION ENGINE	7.1	Mitsubishi S6S		Kubota V3800-CR-TE5CB-HYM-1		
	7.2	Kw	52	55.4	52	55.4
	7.3	min-1	2300	2200	2300	2200
	7.4	(-) / (cm ³)	6 / 4996	4 / 3769	6 / 4996	4 / 3769
	7.5	l/h or kg/h	7.62l/h / 6.4kg/h	5.0l/h / 4.2kg/h	7.62l/h / 6.4kg/h	5.0l/h / 4.2kg/h
	7.6	t/h	345t/h	375t/h	345t/h	375t/h
	7.7	l/h or kg/h	9.97l/h / 8.37kg/h	8.93l/h / 7.5kg/h	9.97l/h / 8.37kg/h	8.93l/h / 7.5kg/h
	7.8	A	35	100	35	100
	7.9	V	24	12	24	12
	7.10	V/Ah	2-12 / 60	12 / 120	2-12 / 60	12 / 120
ADDITIONAL DATA	8.1	E-Hydraulic				
	10.1	bar	195			
	10.2	l/min	70			
	10.4	l	100			
	10.7	dB (A)	88	81.5	88	81.5
	10.7.2	dB (A)	109.6	99.7	109.6	99.7
10.8	Pin					

(1) Height of low overhead guard (cabin): 2250mm; Height of high overhead guard (cabin): 2400mm

H4.0-4.5 UT, LPG SPECIFICATIONS

H5.0 UT, LPG SPECIFICATIONS

GENERAL	1.1		HYSTER					
	1.2		H4.0 UT			H4.5 UT		
	1.2.1		Stage IIIA		Stage V	Stage IIIA		Stage V
WEIGHT	1.3		Dual		LPG		LPG	
	1.4		Seat					
	1.5		4000			4500		
WHEELS	1.6		Q kg					
	1.8		c mm					
	1.9		x mm					
DIMENSIONS	2.1		y mm					
	2.2		6435			6670		
	2.3		9195 / 1240		9917 / 1253			
PERFORMANCE	2.3		3075 / 3360		2910 / 3760			
	3.1		SE					
	3.2		300-15NHS					
COMBUSTION ENGINE	3.3		7.00-12NHS					
	3.5		2 x 2					
	3.6		b10 mm					
ADDITIONAL DATA	3.7		b11 mm					
	4.1		α / β (°)					
	4.2		h1 mm					
GENERAL	4.3		h2 mm					
	4.4		h3 mm					
	4.5		h4 mm					
WEIGHT	4.7		h6 mm					
	4.8		h7 mm					
	4.12		h1 mm					
WHEELS	4.19		l1 mm					
	4.20		l2 mm					
	4.21		b1/ b2 mm					
DIMENSIONS	4.22		s/e/l mm					
	4.23		mm					
	4.24		b3 mm					
PERFORMANCE	4.31		m1 mm					
	4.32		m2 mm					
	4.33		b12 x l6 mm					
COMBUSTION ENGINE	4.34		Ast mm					
	4.34.1		Ast mm					
	4.34.2		Ast mm					
ADDITIONAL DATA	4.35		Wa mm					
	4.36		b13 mm					
	5.1		25 / 28		25 / 28		26 / 28	
GENERAL	5.1.1		18 / 19		18 / 19		18 / 19	
	5.1.2		21 / 22		21 / 22			
	5.2		530 / 560					
WEIGHT	5.3		500 / 450					
	5.6		31500 / 30000		33000/32000		31500 / 30000	
	5.7		24 / 25		25 / 25		23 / 25	
WHEELS	5.9		5.55 (S1) / 5.19 (S2)					
	5.9.1		4.52 (S1) / 4.35 (S2)					
	5.10		Hydraulic					
DIMENSIONS	7.1		Kubota WG3800-GL-C		Kubota WG3800-L-C		Kubota WG3800-L-E5C	
	7.2		57.6		63.2		57.6	
	7.3		2400					
PERFORMANCE	7.4		4 / 3769					
	7.5		6.9kg/h		7.44kg/h		6.9kg/h	
	7.6		8.46kg/h		8.52kg/h		8.46kg/h	
COMBUSTION ENGINE	7.7		345t/h					
	7.8		100					
	7.9		12					
ADDITIONAL DATA	7.10		12 / 90					
	8.1		E-Hydraulic					
	10.1		195					
GENERAL	10.2		70					
	10.4		100					
	10.7		83					
WEIGHT	10.7.2		107					
	10.8		Pin					

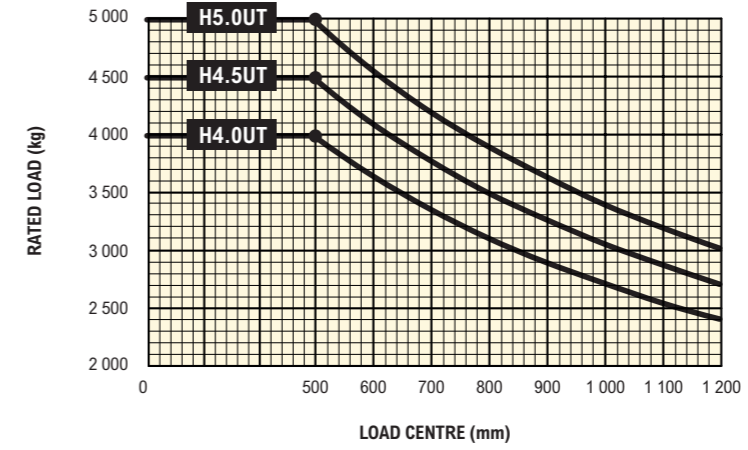
GENERAL	1.1		HYSTER					
	1.2		H5.0 UT			Stage IIIA		
	1.2.1		Stage IIIA		LPG	Stage V		LPG
WEIGHT	1.3		Dual		LPG		LPG	
	1.4		Seat					
	1.5		5000			5000		
WHEELS	1.6		c mm					
	1.8		x mm					
	1.9		y mm					
DIMENSIONS	2.1		kg					
	2.2		kg					
	2.3		kg					
PERFORMANCE	3.1		SE					
	3.2		300-15NHS					
	3.3		7.00-12NHS					
COMBUSTION ENGINE	3.5		2 x 2					
	3.6		b10 mm					
	3.7		b11 mm					
ADDITIONAL DATA	4.1		α / β (°)					
	4.2		h1 mm					
	4.3		h2 mm					
GENERAL	4.4		h3 mm					
	4.5		h4 mm					
	4.7		h6 mm					
WEIGHT	4.8		h7 mm					
	4.12		h1 mm					
	4.19		l1 mm					
WHEELS	4.20		l2 mm					
	4.21		b1/ b2 mm					
	4.22		s/e/l mm					
DIMENSIONS	4.23		mm					
	4.24		b3 mm					
	4.31		m1 mm					
PERFORMANCE	4.32		m2 mm					
	4.33		b12 x l6 mm					
	4.34		Ast mm					
COMBUSTION ENGINE	4.34.1		Ast mm					
	4.34.2		Ast mm					
	4.35		Wa mm					
ADDITIONAL DATA	4.36		b13 mm					
	5.1		25 / 28		26 / 28		26 / 28	
	5.1.1		18 / 19		18 / 19		18 / 19	
GENERAL	5.1.2		21 / 22		21 / 22			
	5.2		530 / 560					
	5.3		480 / 500					
WEIGHT	5.6		31500 / 30000		33000 / 32000		31500 / 30000	
	5.7		21 / 25		20 / 25			
	5.9		5.55 (S1) / 5.19 (S2)					
DIMENSIONS	5.9.1		4.52 (S1) / 4.35 (S2)					
	5.10		Hydraulic					
	7.1		Kubota WG3800-GL-C		Kubota WG3800-L-C		Kubota WG3800-L-E5C	
PERFORMANCE	7.2		57.6		63.2		57.6	
	7.3		2400					
	7.4		4 / 3769					
COMBUSTION ENGINE	7.5		6.9kg/h		7.44kg/h		6.9kg/h	
	7.6		8.46kg/h		8.52kg/h		8.46kg/h	
	7.7		345t/h					
ADDITIONAL DATA	7.8		100					
	7.9		12					
	7.10		12 / 120					
GENERAL	8.1		E-Hydraulic					
	10.1		195					
	10.2		70					
WEIGHT	10.4		100					
	10.7		83					
	10.7.2		107					
WHEELS	10.8		Pin					

(1) Height of low overhead guard (cabin): 2250mm; Height of high overhead guard (cabin): 2400mm

(1) Height of low overhead guard (cabin): 2250mm; Height of high overhead guard (cabin): 2400mm

H4.OUT, H4.5UT, H5.OUT RATED CAPACITY @ 500MM LOAD CENTRE

Mast Type	Max. Fork Lift (h ₃ +s) mm	Overall Extended Height						Free Lift h ₂ + s				Mast Tilt	
		Lowered Height h ₁		Extended lift height h ₄				Without Load Backrest		With Load Backrest			
		4.0/4.5t mm	5.0t mm	Without Load Backrest		With Load Backrest		4.0/4.5t mm	5.0t mm	4.0/4.5t mm	5.0t mm	Fwd (°)	Back (°)
				4.0/4.5t mm	5.0t mm	4.0/4.5t mm	5.0t mm						
2 stage LFL	3000	2250	2250	3855	3855	4260	4260	150	155	150	155	6	12
	3300	2400	2400	4155	4155	4560	4560	150	155	150	155	6	12
	3500	2500	2500	4355	4355	4760	4760	150	155	150	155	6	12
	3700	2600	2600	4605	4605	5010	5010	150	155	150	155	6	12
	4000	2800	2800	4855	4855	5260	5260	150	155	150	155	6	12
	4500	3050	3050	5355	5355	5760	5760	150	155	150	155	6	6
	5000	3300	3300	5855	5855	6260	6260	150	155	150	155	6	6
	5500	3600	3600	6355	6355	6760	6760	150	155	150	155	3	6
2 stage FFL	3000	2250	2250	3855	3855	4250	4250	1425	1430	1030		6	12
	3300	2400	2400	4155	4155	4550	4550	1575	1580	1180		6	12
	3500	2500	2500	4355	4355	4750	4750	1675	1680	1280		6	12
	3750	2625	2625	4605	4605	5000	5000	1800	1805	1405		6	12
	4000	2800	2800	4855	4855	5250	5250	1975	1980	1580		6	12
3 stage FFL	4000	2110	2110	4880	4880	5265	5265	1275	1280	885		6	6
	4350	2235	2235	5230	5230	5615	5615	1395	1400	1010		6	6
	4500	2285	2285	5385	5385	5770	5770	1450	1455	1060		6	6
	4800	2385	2385	5680	5680	6070	6070	1545	1550	1160		6	6
	5000	2485	2485	5880	5880	6265	6265	1645	1650	1260		6	6
	5400	2610	2610	6280	6280	6660	6660	1770	1775	1385		3	6
	6000	2850	2850	6875	6875	7260	7260	2010	2015	1625		3	6
	6500	3050	3050	7375	7375	7760	7760	2210	2215	1825		3	6



LIFT HEIGHT < 3000MM

Rated load - based on vertical mast.

Load centre - distance from front of forks to centre of gravity of load.

ENGINE SPECIFICATIONS

DIESEL

Stage IIIA - MITSUBISHI 5.0L, DIESEL		Stage V - KUBOTA V3800-CR-TE5CB-HYM-1	
Cylinders:	6 cylinder overhead valve	Cylinders:	4
Displacements:	4.996 litre	Displacements:	3.769 litre
Torque:	293Nm @ 1,700rpm	Torque:	310Nm @ 1500rpm
Power:	52kW	Power:	55.4kW
Air filtration:	Two stage, dry type	Air filtration:	Two stage, dry type, paper element filter
Fuel injection:	IDI fuel injection system	Fuel injection:	Common Rail System

LPG

Stage IIIA - KUBOTA 3.8L LPG WG3800-L-C		Stage V - KUBOTA 3.8L WG3800-L-E5C	
Cylinders:	4 cylinder overhead valve	Cylinders:	4
Displacements:	3.769 litre	Displacements:	3.769 litre
Torque:	300Nm @ 1,200rpm	Torque:	300Nm @ 1,200rpm
Power:	63.2kW @ 2,400rpm	Power:	63.2kW
Air filtration:	Two stage, dry type	Air filtration:	Two stage, dry type
Fuel injection:	n/a	Fuel injection:	n/a

DUAL FUEL

Stage IIIA - KUBOTA 3.8L DUAL WG3800-GL-C	
Cylinders:	4 cylinder overhead valve
Displacements:	3.769 litre
Torque:	300Nm @ 1,200rpm
Power:	57.6kW @ 2,400rpm
Air filtration:	Two stage, dry type
Fuel injection:	n/a

Mast Type	Max. Fork Lift (h ₃ +s) mm	Load capacity without Sideshift						Load capacity with ISS Carriage						Load capacity with ISS Carriage and Fork Positioner					
		Front Single Tyres			Front Dual Tyres			Front Single Tyres			Front Dual Tyres			Front Single Tyres			Front Dual Tyres		
		4.0t kg	4.5t kg	5.0t kg	4.0t kg	4.5t kg	5.0t kg	4.0t kg	4.5t kg	5.0t kg	4.0t kg	4.5t kg	5.0t kg	4.0t kg	4.5t kg	5.0t kg	4.0t kg	4.5t kg	5.0t kg
2 stage LFL	3000	4000	4500	5000	4000	4500	5000	3850	4350	4850	3850	4350	4850	3800	4300	4800	3800	4300	4800
	3300	4000	4500	5000	4000	4500	5000	3850	4350	4850	3850	4350	4850	3800	4300	4800	3800	4300	4800
	3500	4000	4500	5000	4000	4500	5000	3850	4350	4850	3850	4350	4850	3800	4300	4800	3800	4300	4800
	3700	4000	4500	5000	4000	4500	5000	3850	4350	4850	3850	4350	4850	3800	4300	4800	3800	4300	4800
	4000	3800	4250	4750	4000	4500	5000	3650	4100	4600	3850	4350	4850	3600	4050	4550	3800	4300	4800
	4500	3400	3800	4250	3600	4050	4550	3250	3650	4100	3450	3900	4400	3200	3600	4050	3400	3850	4350
	5000	2800	3150	3500	3000	3400	3750	2650	3000	3350	2850	3250	3600	2600	2950	3300	2800	3200	3550
	5500	2250	2800	2850	2800	3100	3350	2100	2650	2700	2650	2950	3200	2050	2600	2650	2600	2900	3150
2 stage FFL	3000	4000	4500	5000	4000	4500	5000	3850	4350	4850	3850	4350	4850	3800	4300	4800	3800	4300	4800
	3300	4000	4500	5000	4000	4500	5000	3850	4350	4850	3850	4350	4850	3800	4300	4800	3800	4300	4800
	3500	4000	4500	5000	4000	4500	5000	3850	4350	4850	3850	4350	4850	3800	4300	4800	3800	4300	4800
	3750	4000	4500	5000	4000	4500	5000	3850	4350	4850	3850	4350	4850	3800	4300	4800	3800	4300	4800
3 stage FFL	4000	3800	4250	4750	4000	4500	5000	3650	4100	4600	3850	4350	4850	3600	4050	4550	3800	4300	4800
	4000	3600	4000	4500	3800	4250	4750	3450	3850	4350	3650	4100	4600	3400	3800	4300	3600	4050	4550
	4350	3400	3800	4250	3600	4050	4500	3250	3650	4100	3450	3900	4350	3200	3600	4050	3400	3850	4300
	4500	3200	3600	4000	3400	3850	4250	3050	3450	3850	3250	3700	4100	3000	3400	3800	3200	3650	4050
	4800	3000	3350	3750	3200	3600	4000	2850	3200	3600	3050	3450	3850	2800	3150	3550	3000	3400	3800
	5000	2700	3050	3400	2900	3300	3650	2550	2900	3250	2750	3150	3500	2500	2850	3200	2700	3100	3450
	5400	2250	2550	2850	2800	3100	3350	2100	2400	2700	2650	2950	3200	2050	2350	2650	2600	2900	3150
	6000	1700	1950	2200	2600	2800	2950	1550	1800	2050	2450	2650	2800	1500	1750	2000	2400	2600	2750
	6500	1200	1500	1700	2400	2500	2650	1050	1350	1550	2250	2350	2500	1000	1300	1500	2200	2300	2450

NOTES:

Specifications are affected by the condition of the vehicle and how it is equipped, as well as the nature and condition of the operating area. Inform your dealer of the nature and condition of the intended operating area when purchasing your Hyster® truck.

NOTICE:

Care must be exercised when handling elevated loads. Operators must be trained and must read, understand and follow the instructions contained in the Operating Manual.

All values are nominal values and they are subject to tolerances. For further information, please contact the manufacturer.

Hyster products are subject to change without notice.

Lift trucks illustrated may feature optional equipment. Values may vary with alternative configurations.

CERTIFICATION: Hyster lift trucks meet the design and construction requirements of B56.1-1969, per OSHA Section 1910.178(a)(2), and also comply with the B56.1 revision in effect at time of manufacture. Certification of compliance with the applicable ANSI standards appears on the lift truck. Performance specifications are for a truck equipped as described under Standard Equipment on this Technical Guide. Performance specifications are affected by the condition of the vehicle and how it is equipped, as well as by the nature, condition of the operating area, proper service and maintenance of the vehicle. If these specifications are critical, the proposed application should be discussed with your dealer.

CE Safety: This truck conforms to the current EU and ANSI requirements.

NOTE: Specifications, unless otherwise listed, are for a standard truck without optional equipment.

STANDARD AND OPTIONAL EQUIPMENT

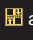
	STD	OPT		STD	OPT
Tilt cylinders - protection gaiters fitted	x		Cyclonic Air filter	x	
Audible reverse alarm	x		Manual park brake	x	
Non-Suspension seat	x		Adjustable steer column	x	
Full-suspension seat / Operator presence system		x	Air Intake with Pre-cleaner		x
Counterweight exhaust	x		Retractable seatbelt	x	
Load backrest	x		Entry Grab handle	x	
2 function manual hydraulic levers	x		Key switch start	x	
Tilt movement is mast dependent	x		Viewing mirrors	x	
Mast tilt 6° Forward / 6° Back or 3° Forward / 6° Back		x	Top glass screen available with guard		x
2-stage LFL & 3-stage FFL masts 3000mm-6500mm lift heights		x	Power steering	x	
Carriages for 4-5 ton: 1245, 1380, 1428, 1600, 1700 and 1800mm (class III) (class III) (on 4-5 ton spec sheet)		x	Steering wheel with spinner knob	x	
Fork lengths 1220-2440mm 4-5 ton		x	Toolbox	x	
Integral Sideshift		x	Fuel gauge	x	
Lights:	x		Upswept exhaust		x
2 x front work lights	x		Towing pin	x	
2 x front turn lights	x		Twin USB charge points	x	
2 x rear turn, stop, brake, reverse lights	x		Standard warranty 12 month / 2000 hours	x	
Low / high magnetic mounted strobe	x		Hot ambient (-10 Degrees C to 50 Degrees C) for unregulated Diesel Mitsubishi only		x
Rear working light		x	Valve and hose groups – 3 or 4 way		x
Direction lever	x		Clamping function available		x
Operator manual	x		Mitsubishi S6S Diesel Tier IIIA	x	
Pneumatic tyres		x	Kubota WG3800 3.8L LPG / Dual Fuel Tier IIIA		x
Super Elastic tyres	x		Kubota V3800 3.8L Diesel stage V	x	
Range of cabins to suit all applications		x	Kubota WG3800 3.8L LPG stage V		x
3-Pedal layout (+ mechanical inching)	x		LPG fixed bracket with twin metallic straps and locating pin		x
Radiator with transmission oil cooler	x		Rear drive handle with horn button		x
			Monotrol®		x





HYSTER EUROPE
Centennial House, Building 4.5, Frimley Business Park,
Frimley, Surrey, GU16 7SG, United Kingdom

Visit us online at www.hyster.com or call us at **+44 (0) 1276 538500**.

HYSTER-YALE UK LIMITED trading as Hyster Europe.
Registered Address: Centennial House, Building 4.5, Frimley Business Park, Frimley, Surrey GU16 7SG, United Kingdom.
Registered in England and Wales. Company Registration Number: 02636775.
© HYSTER-YALE UK LIMITED. 2023, all rights reserved. Hyster and  are trademarks of Hyster-Yale Group, Inc.
Hyster products are subject to change without notice. Trucks may be shown with optional equipment.



Safety: This truck conforms to the current EU requirements