

INOX LINE

Maniglioni
Big handles





INOX LINE

INOX LINE


La nuova linea completa di maniglioni per porte di Master Italy in acciaio inox AISI 316L

The new complete line of Master Italy door pull handles in AISI 316L stainless steel

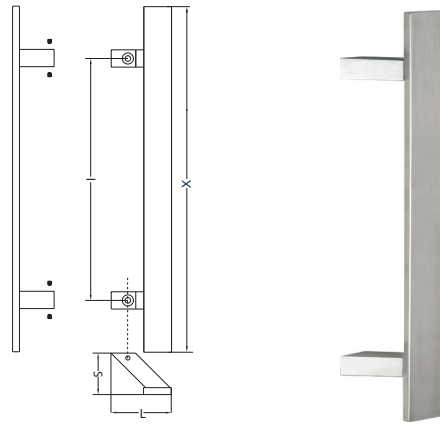
La nueva línea completa de tiradores para puertas Master Italy en acero inoxidable AISI 316L

La nouvelle gamme complète de poignées de tirage Master Italy pour portes en acier inoxydable AISI 316L


Maniglione diritto con supporti inclinati
Straight pull handle with straight support
Barre droite, unique avec support droite
Tirador mango recto con soportes rectos

ART.	Materiale Material	I	L	S	Ø	X	Attacchi* Fixing*	Imballo Packaging
5095.1	316L	350	87	60	...	500	Inclusi attacchi doppi Double fixing included 	2 Pz
5095A.1	304							
5095.2	316L	600	87	60	...	800		
5095A.2	304							

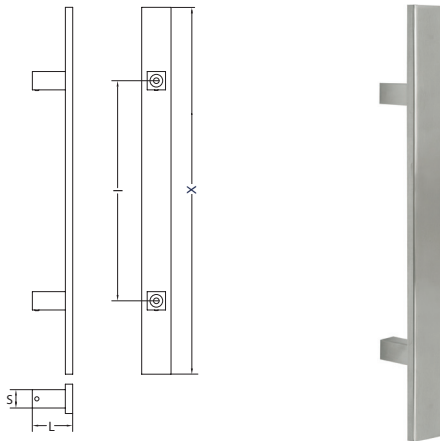
*abbinabile con kit fissaggio singolo 5237.21/5237.23
 *combined with single fixing kit 5237.21/5237.23




Maniglione diritto con supporti dritti
Straight pull handle with straight support
Barre droite, unique avec support droite
Tirador mango recto con soportes rectos

ART.	Materiale Material	I	L	S	Ø	X	Attacchi* Fixing*	Imballo Packaging
5096.1	316L	300	55	25	...	500	Inclusi attacchi doppi Double fixing included 	2 Pz
5096A.1	304							
5096.2	316L	600	55	25	...	800		
5096A.2	304							

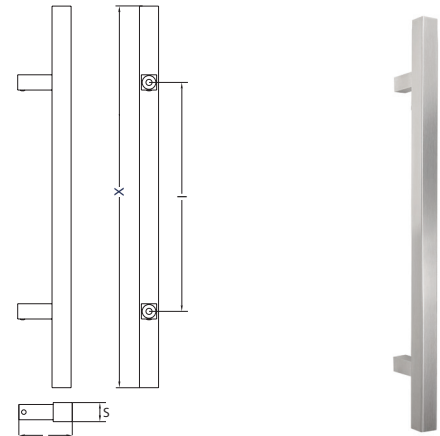
*abbinabile con kit fissaggio singolo 5237.21/5237.22
 *combined with single fixing kit 5237.21/5237.22




Maniglione diritto con supporti dritti
Straight pull handle with straight support
Barre droite, unique avec support droite
Tirador mango recto con soportes rectos

ART.	Materiale Material	I	L	S	Ø	X	Attacchi* Fixing*	Imballo Packaging
5097.1	316L	300	70	25	...	500	Inclusi attacchi doppi Double fixing included 	2 Pz
5097A.1	304							
5097.2	316L	600	70	25	...	800		
5097A.2	304							

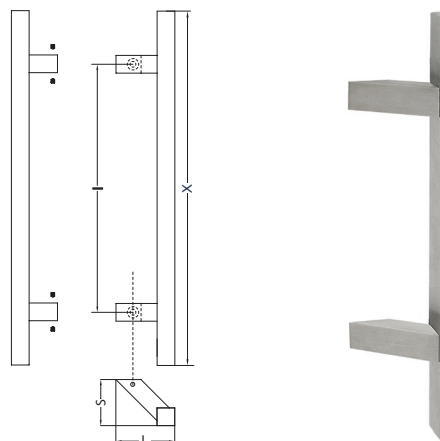
*abbinabile con kit fissaggio singolo 5237.21/5237.22
 *combined with single fixing kit 5237.21/5237.22




Maniglione diritto con supporti inclinati
Straight pull handle with straight support
Barre droite, unique avec support droite
Tirador mango recto con soportes rectos

ART.	Materiale Material	I	L	S	Ø	X	Attacchi* Fixing*	Imballo Packaging
5098.1	316L	350	83	65	...	500	Inclusi attacchi doppi Double fixing included 	2 Pz
5098A.1	304							
5098.2	316L	600	83	65	...	800		
5098A.2	304							

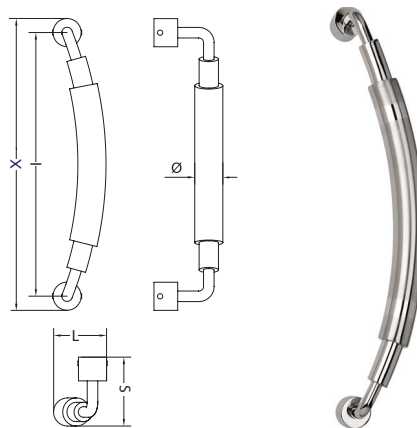
*abbinabile con kit fissaggio singolo 5237.21/5237.23
 *combined with single fixing kit 5237.21/5237.23




Maniglione sagomato
Single shaped pull handle
Barre formée unique
Tirador mango moldeado

ART.	Materiale Material	I	L	S	Ø	X	Attacchi* Fixing*	Imballo Packaging
5082.1	316L	400	60	78	32	430	Inclusi attacchi doppi Double fixing included 	2 Pz
5082A.1	304							

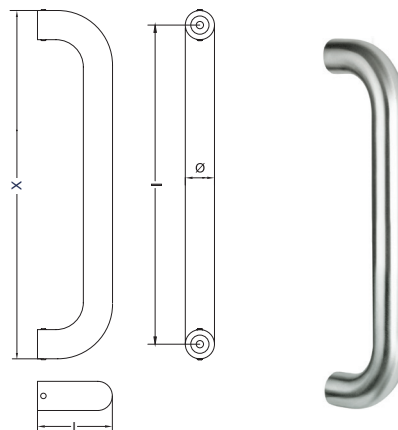
*abbinabile con kit fissaggio singolo 5237.21/5237.22
 *combined with single fixing kit 5237.21/5237.22




Maniglione dritto
Straight pull handle
Barre droite unique
Tirador mango recto

ART.	Materiale Material	I	L	S	Ø	X	Attacchi* Fixing*	Imballo Packaging
5083.1	316L	350	82	...	32	382	Inclusi attacchi doppi Double fixing included 	2 Pz
5083A.1	304							

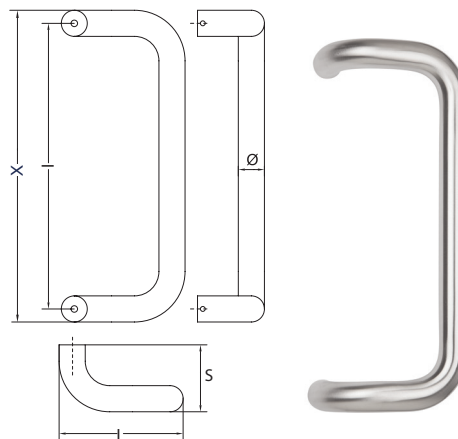
*abbinabile con kit fissaggio singolo 5237.21/5237.22
 *combined with single fixing kit 5237.21/5237.22




Maniglione sagomato
Single shaped pull handle
Barre formée unique
Tirador mango moldeado

ART.	Materiale Material	I	L	S	Ø	X	Attacchi* Fixing*	Imballo Packaging
5090.1	316L	350	152	82	32	382	Inclusi attacchi doppi Double fixing included 	2 Pz
5090A.1	304							

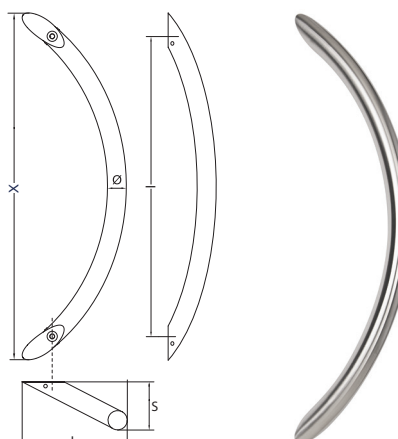
*abbinabile con kit fissaggio singolo 5237.21/5237.22
 *combined with single fixing kit 5237.21/5237.22



Maniglione sagomato
Single shaped pull handle
Barre formée unique
Tirador mango moldeado

ART.	Materiale Material	I	L	S	Ø	X	Attacchi* Fixing*	Imballo Packaging
5092.1	316L	500	174	80	32	578	Inclusi attacchi doppi Double fixing included 	2 Pz
5092A.1	304							

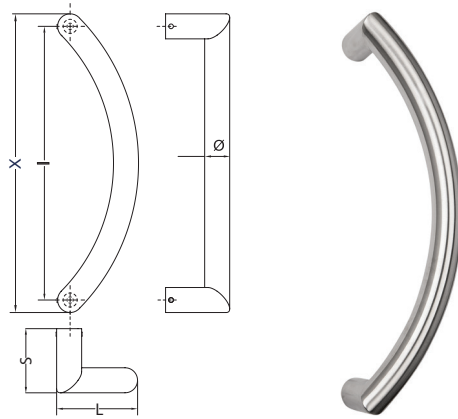
*abbinabile con kit fissaggio singolo 5237.21/5237.23
 *combined with single fixing kit 5237.21/5237.23



Maniglione sagomato
Single shaped pull handle
Barre formée unique
Tirador mango moldeado

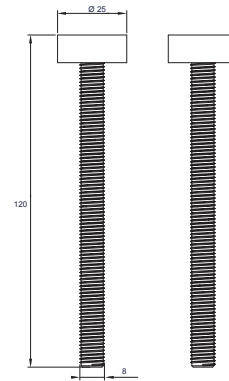
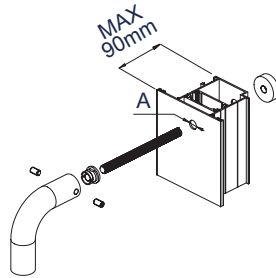
ART.	Materiale Material	I	L	S	Ø	X	Attacchi* Fixing*	Imballo Packaging
5094.1	316L	350	104	82	32	382	Inclusi attacchi doppi Double fixing included	2 Pz
5094A.1	304							

*abbinabile con kit fissaggio singolo 5237.21/5237.22
 *combined with single fixing kit 5237.21/5237.22

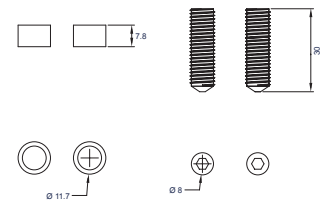


Kit fissaggio singolo con foro passante per porte in alluminio o vetro
Single fixing kit with through hole for aluminium or glass doors.
Kit de fixation simple avec trou à traverse pour portes en aluminium ou en verre.
Kit de fijación individual con agujero pasante para puertas de aluminio o vidrio.

ART.	Imballo Packaging	Attacchi Fixing	A
5237.21	1 Pz	Kit fissaggio singolo con foro passante per porte in alluminio Single fixing kit with through hole for aluminium doors	10
		Kit fissaggio singolo con foro passante per porte in vetro Single fixing kit with through hole for glass doors	14



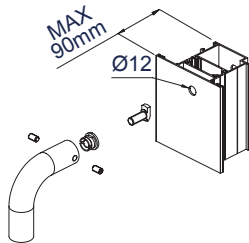
Kit fissaggio singolo con foro passante per porte in alluminio
 Single fixing kit with through hole for aluminium doors



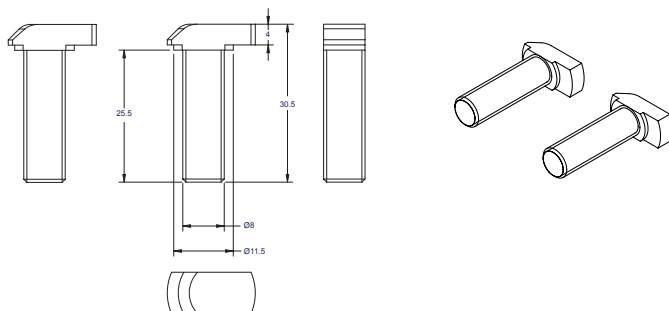
Kit fissaggio singolo con foro passante per porte in vetro
 Single fixing kit with through hole for glass doors

Kit fissaggio singolo con foro non passante
Single fixing kit with no-through hole
Kit de fixation simple avec trou non à traverse
Kit de fijación simple con agujero no pasante

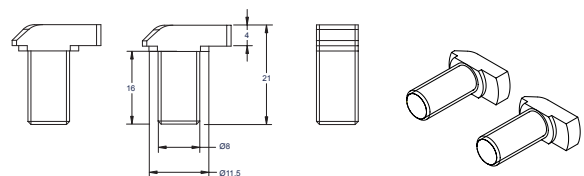
ART.	Imballo Packaging
5237.22 5237.23	1 Pz



Art. 5237.22



Art. 5237.23



Abbinabile con Art. 5092.1 - 5095.1/2 - 5098.1/2
 Combined with Art. 5092.1 - 5095.1/2 - 5098.1/2





Master Italy S.r.l
S.P. 37 Conversano - Castiglione km 0.570 - Conversano (Ba) Italy
Customer Service +39 080.4959823 | Fax. +39 080.4959030
info@masteritaly.com

